

### Features

- One-piece, self-contained ceramic disc valve allows both volume and temperature control.
- Temperature memory allows faucet to be turned on and off at any temperature setting.
- 4-3/16" (107 mm) spout reach.
- Stationary spout.
- Metal throat plate.
- Grid drain with tailpiece.
- For 4" (102 mm) centers.
- Flexible connections.
- Red/blue indexing.
- Vandal-resistant aerator.
- 0.5 gal/min (1.9 l/min) maximum flow rate [max at 60 psi (4.14 bar)].

### Material

- Metal construction.

### Optional Accessories

1160594 Large Spray Aerator 0.35 gpm (1.3 l/min)



ADA

CSA B651

OBC

### Codes/Standards

ASME A112.18.1/CSA B125.1

NSF 61

NSF 372

All applicable US Federal and State material regulations

DOE - Energy Policy Act 1992

California Energy Commission (CEC)

ADA

ICC/ANSI A117.1

CSA B651

OBC

### KOHLER® One-Year Limited Warranty

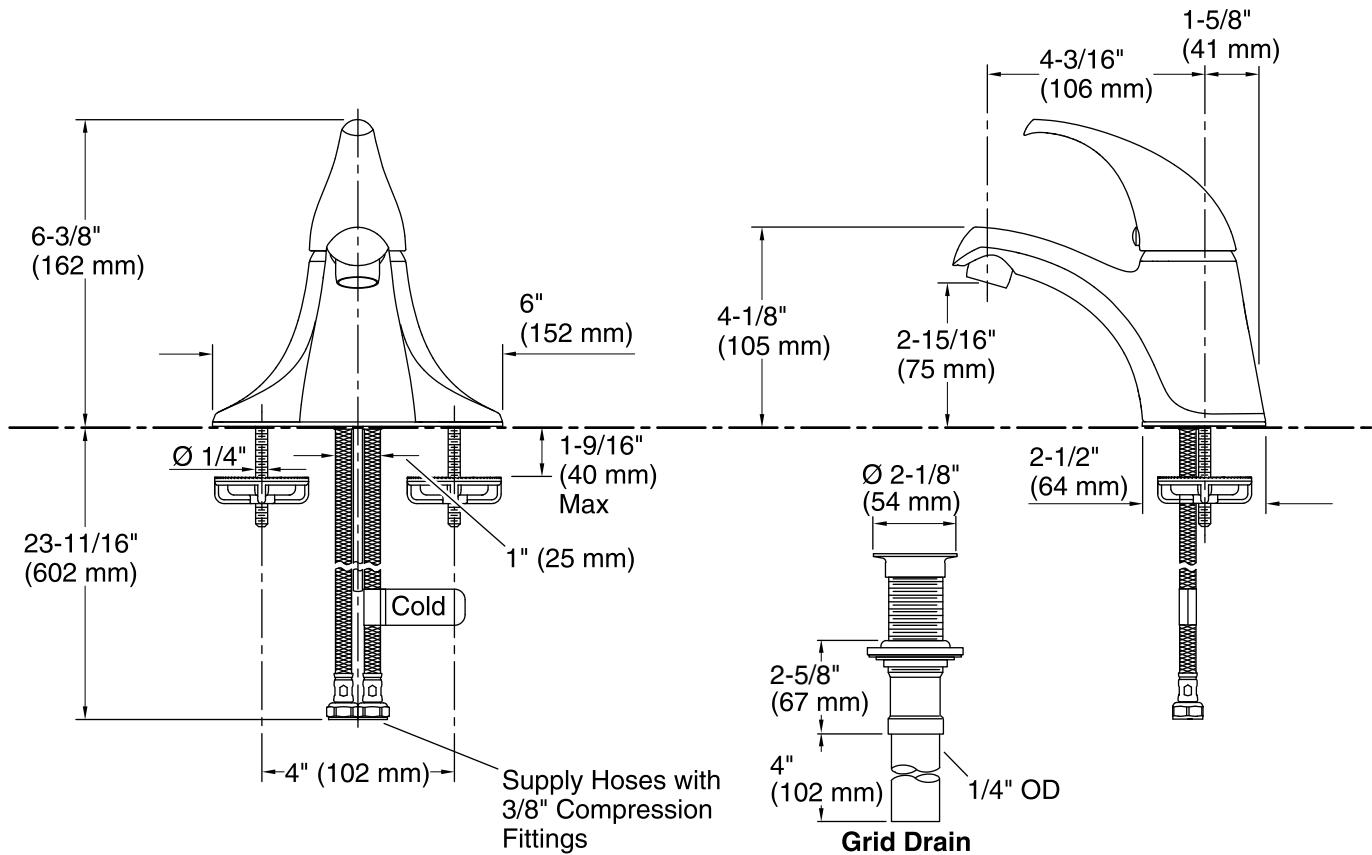
See website for detailed warranty information.

### Available Color/Finishes

*Color tiles intended for reference only.*

#### Color Code Description

■ CP Polished Chrome



### Technical Information

All product dimensions are nominal.

Valve body:	Plastic
Drain included:	YES
Drain with overflow:	YES
Drain tailpiece included:	YES

### Spout:

Spout reach:	4-3/16" (107 mm)
Handle clearance:	3-3/8" (86 mm)

### Faucet:

Flow rate:	0.5 gal/min (1.9 l/min)
Pressure:	60 psi (4.1 bar)

### Notes

Install this product according to the installation guide.

ADA, OBC, CSA B651 compliant when installed to the specific requirements of these regulations.