



Features

- Dual lumbar supports two-person bathing by offering comfort at both ends
- Center drain.
- Slotted overflow allows for deep soaking.
- Variable-speed blower lets you adjust massage intensity to 18 levels.
- VibrAcoustic® technology emits sound waves and offers a surround sound experience.
- VibrAcoustic® calms and soothes with sound vibration technology.
- Six concealed speakers send sound waves through the water to gently massage the body.
- Syncs with devices enabled with BLUETOOTH® wireless technology including smart phones, MP3 players, tablets and laptops located up to 33 feet away.*



Material

- Acrylic

Hydrotherapy

- 118-122 BubbleMassage™ airjets. 18 levels of massage intensity.
- Zones of Control™ feature allows you to target massage to back, midsection, or feet.
- Functions as a hydrotherapy bath when full of water and a stereo system when empty.

Installation

- Drop-in

Required Accessories

K-7271 Brass Slotted Overflow Bath Drain

or

K-7272 PVC Slotted Overflow Bath Drain

Recommended Accessories

K-814 Under-mount Installation Kit

Components

Additional included component/s: 25' (7.6 m) cables.

Codes/Standards

ASME A112.19.7/CSA B45.10
CSA B45.5/IAPMO Z124
ASTM E162
ASTM E662
UL 1795
CSA C22.2 No. 218.2
Greenguard UL 2818 - Gold
CARB P2

KOHLER® One-Year Limited Warranty

See website for detailed warranty information.

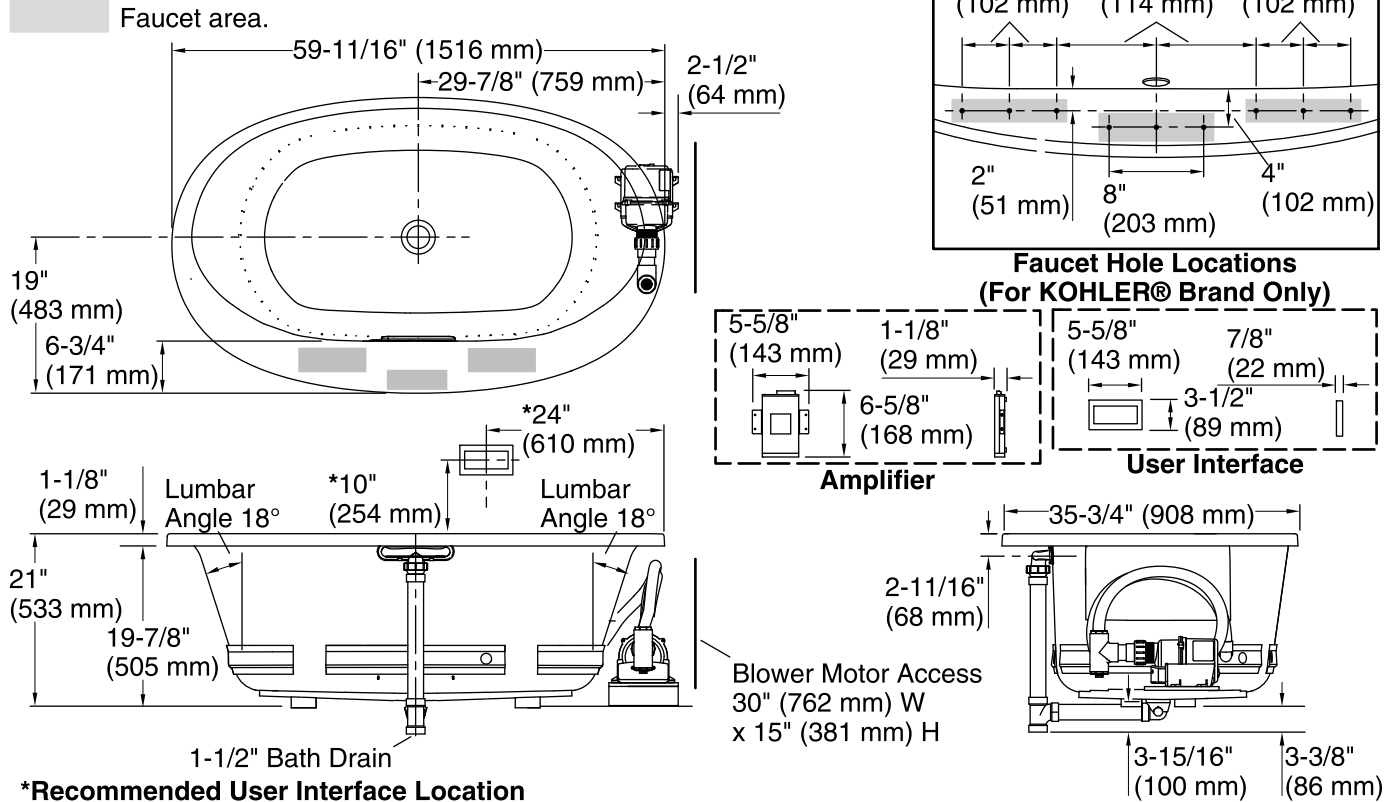
*The BLUETOOTH® word mark and logos are registered trademarks owned by Bluetooth SIG, Inc. and any use of such marks by Kohler Co. is under license. Other trademarks and trade names are those of their respective owners.

Available Color/Finishes

Color tiles intended for reference only.

Color	Code	Description
	0	White
	96	Biscuit
	47	Almond
	NY	Dune
	95	Ice™ Grey
	G9	Sandbar
	33	Mexican Sand™
	K4	Cashmere
	58	Thunder™ Grey

No change in measurements if connected with drain illustrated. (K-7272)



Required Electrical Service

One dedicated circuit required, protected with Class A Ground-Fault Circuit-Interrupter (GFCI) or Residual Current Device (RCD).

Amplifier, Blower: 120 V, 15 A, 60 Hz

Technical Information

All product dimensions are nominal.

Installation:	Drop-in, Under-mount
Drain location:	Center
Basin area, bottom:	43" x 25-5/8" (1093 mm x 651 mm)
Basin area, top:	55-9/16" x 28-3/8" (1411 mm x 720 mm)
Weight:	115 lbs (52.2 kg)
Minimum floor load:	50.9 lbs/ft ² (248.5 kg/m ²)
Water depth:	16-5/16" (415 mm)
Water capacity:	72.017 gal (272.6 L)
Template:	Drop-in, 1268438-7, required, included
Electrical component rating:	Amplifier: 120 V, 1.1 A, 50/60 Hz Blower: 120 V, 10 A, 60 Hz, 300 W
Amplifier channels:	2 at 15 W per channel 2 at 30 W per channel

Notes

Measure your actual product for rough-in details.

Install this product according to the installation instructions.

The hot water supply should be 70% of the capacity of the bath or greater. Installations will vary.

Provide one grounded electrical outlet within 24" (610 mm) of each component.

A second grounded outlet within the wall framing must be within 24" (610 mm) of the planned control amplifier. Provide a third grounded outlet if connecting a powered wireless device or adapter.

Remote blower installation kit is available for relocating the blower.

Do not relocate or alter the PVC tee or coiled flexible tubing connected to the blower. Follow the blower relocation instructions exactly.

Control amplifier fits 16" (406 mm) center studs.