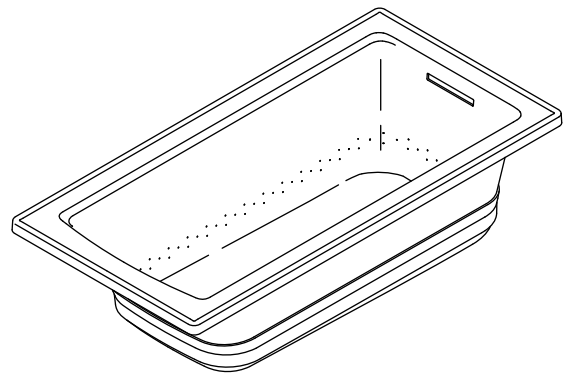


Features

- *ExoCrylic™*
- Blower motor with 300 W heater, and electronic user control
- Blower motor is supplied with a grounding-type plug-in cord
- 120 BubbleMassage™ airjets
- Slotted overflow for maximum bathing depth
- Low threshold height
- Bask™ heated surface with three temperature settings
- Drop-in [-GW] or 3-side integral flange [-GLW, -GRW]
- 60" (1524 mm) x 30" (762 mm) x 19" (483 mm) [K-1947-GW]
- 60" (1524 mm) x 30" (762 mm) x 20-1/4" (514 mm)

5' BUBBLEMASSAGE™ BATH WITH BASK™ K-1947-GW ALSO K-1947-GLW, K-1947-GRW

ADA



Codes/Standards Applicable

Specified model meets or exceeds the following:

- ADA
- ICC/ANSI A117.1
- CSA B45.5/IAPMO Z124
- CSA C22.2 No 218.2
- ASME A112.19.7/CSA B45.10
- UL 1795
- NMX-J-521

Colors/Finishes

- 0: White
- Other: Refer to Price Book for additional colors/finishes

Accessories

- CP: Polished Chrome
- NA: None applicable
- Other: Refer to Price Book for additional colors/finishes

Specified Model

Model	Description	Colors/Finishes	
K-1947-GW	BubbleMassage bath with Bask – drop-in (shown)	<input type="checkbox"/> 0	<input type="checkbox"/> Other_____
K-1947-GLW	BubbleMassage flanged bath with Bask, left drain	<input type="checkbox"/> 0	<input type="checkbox"/> Other_____
K-1947-GRW	BubbleMassage flanged bath with Bask, right drain	<input type="checkbox"/> 0	<input type="checkbox"/> Other_____
Required Accessories			
K-7271	Clearflo slotted overflow brass bath drain OR	<input type="checkbox"/> CP	<input type="checkbox"/> Other_____
K-7272	Clearflo slotted overflow bath drain – PVC pipe	<input type="checkbox"/> CP	<input type="checkbox"/> Other_____

Product Specification

The ExoCrylic bath shall be 60" (1524 mm) in length, 30" (762 mm) in width, and 19" (483 mm) in height [K-1947-GW], or 60" (1524 mm) in length, 30" (762 mm) in width, and 20-1/4" (514 mm) in height [K-1947-LW, K-1947-RW]. Bath shall feature Bask heated lumbar support with three temperature settings. Bath shall have a blower motor with 300 W heater, and an electronic user control. Bath blower motor shall have a grounding-type plug-in cord. Bath shall have 120 BubbleMassage airjets. Bath shall have slotted overflow for maximum bathing depth and low threshold height. Bath shall be for drop-in [-GW] or 3-side integral flange [-GLW, -GRW]. Bath shall be Kohler Model K-1947-_____-_____.

ARCHER®

K-1446	Recommended Accessories: Remote blower/motor installation kit	NA
--------	---	----

Technical Information

Fixture: Approximate measurements for comparison only.				
Bathing well:				
Basin area, bottom	45-1/8" (1146 mm) x 19-11/16" (500 mm)			
Basin area, top	52-1/8" (1324 mm) x 22-1/16" (560 mm)			
Weight	87 lbs (39.4 kg)			
To overflow:				
Water depth	15-1/8" (384 mm)			
Capacity	57 gal (215.7 L)			
Drop-in cutout	58-1/2" (1486 mm) x 28-1/2" (724 mm)			
Blower motor	Heater	V	Hz	A
	300 W	120	60	10
Heated surface		120	60	0.5

Required Electrical Service

Dedicated circuit required, protected with Class A Ground-Fault Circuit-Interrupter (GFCI):	
Blower motor:	120 V, 15 A, 60 Hz

Installation Notes

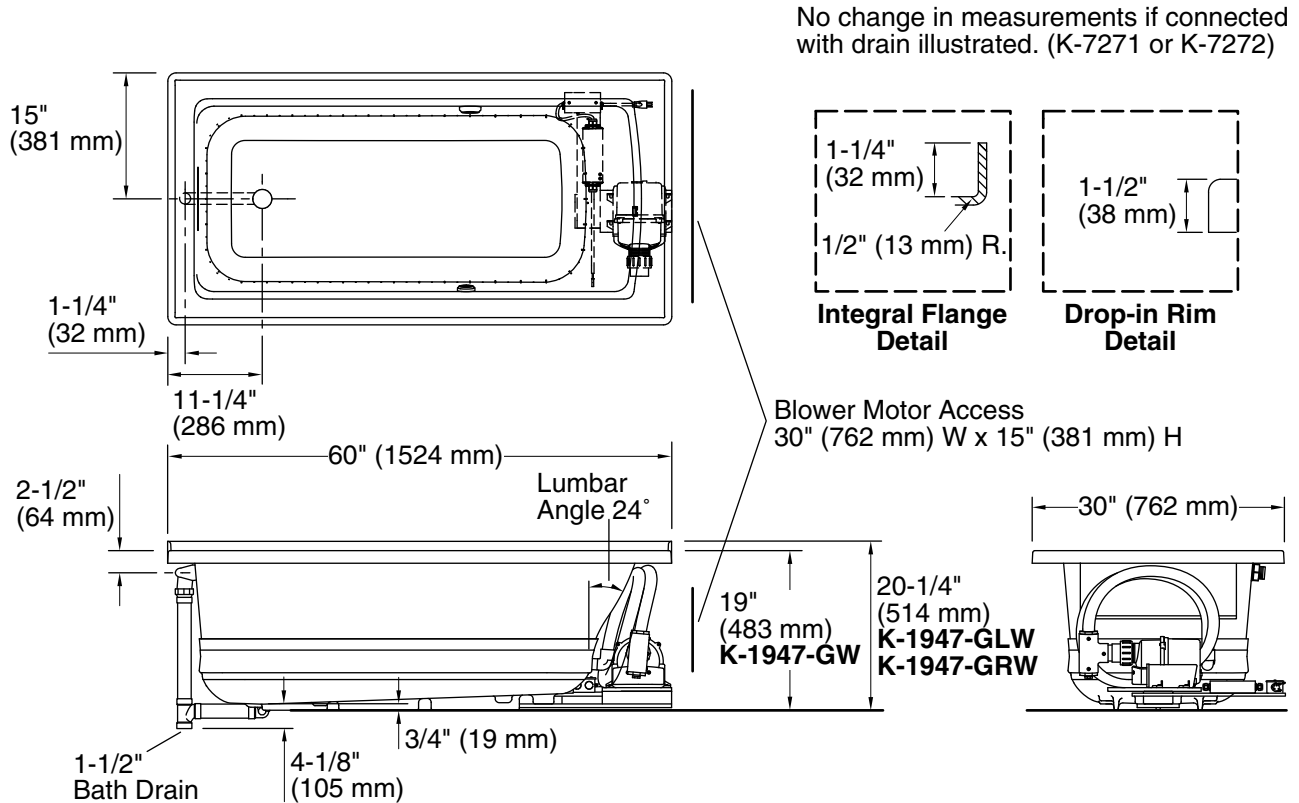
Install this product according to the installation guide.

Locate a GFCI-protected 120 V, 15 A, grounded duplex electrical outlet within 24" (610 mm) of the bath junction box. A 40" (1016 mm) cable is included.

Floor support under this product must provide for a minimum of 47 lbs/square foot (229 kg/square meter) loading.

The hot water supply should be 70% of the capacity of the bath or greater. Installations will vary.

Will comply with **ADA** when installed per Section 607 Bathtubs of the ADA 2010 Standards for Accessible Design.



Product Diagram