

Features

- Oval basin with concentric ring styling.
- Without overflow.
- No faucet holes; requires wall- or counter-mount faucet.
- 19" (483 mm) x 16-1/8" (410 mm) x 5-3/8" (137 mm)

Material

- Glass

Installation

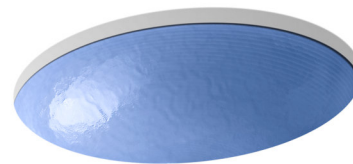
- Under-mount

Recommended Accessories

K-7107 Decorative Drain
K-7108 Decorative Drain
K-7129 Drain
K-9018 P-Trap

Components

Additional included component/s: Hardware kit, and drain gasket kit.



ADA

Codes/Standards

CSA B45.11/IAPMO Z401
ADA
ICC/ANSI A117.1


KOHLER® One-Year Limited Warranty

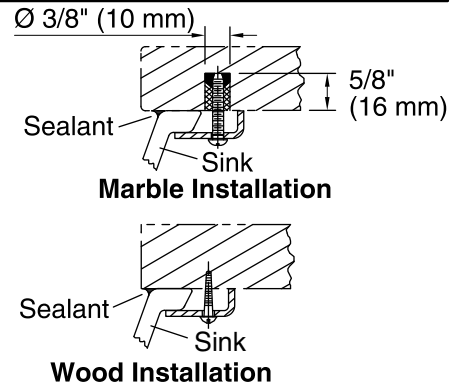
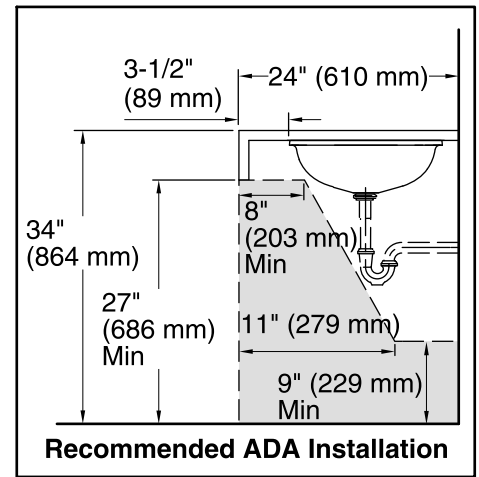
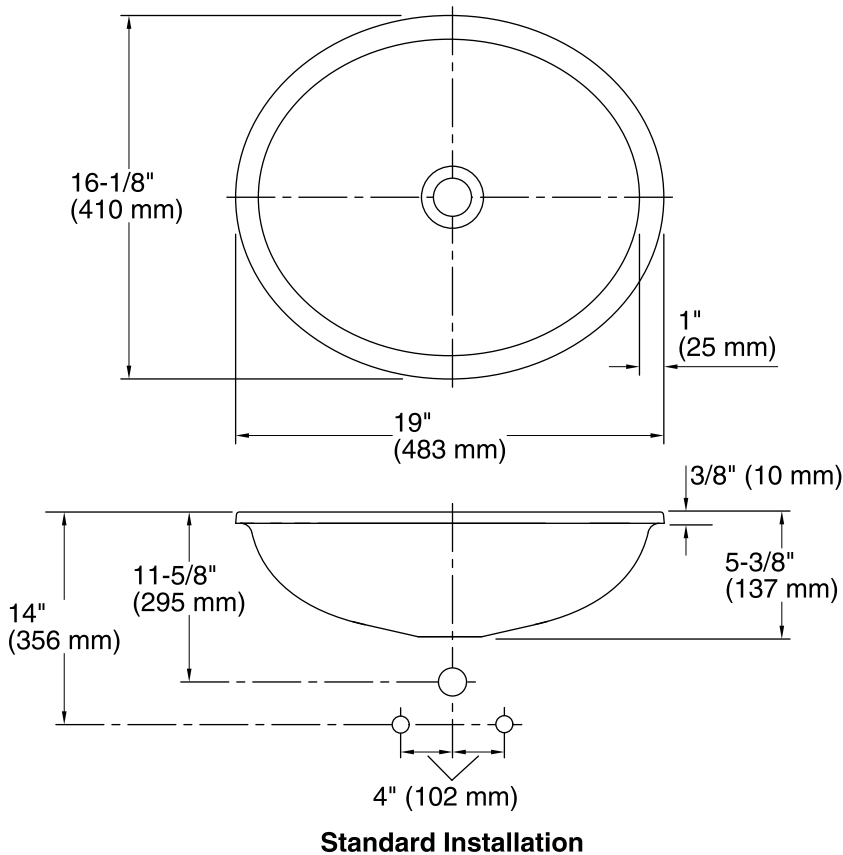
See website for detailed warranty information.

Available Color/Finishes

Color tiles intended for reference only.

Color	Code	Description
-------	------	-------------

	B11	Ice
--	-----	-----



Technical Information

All product dimensions are nominal.

Bowl configuration:	Single
Installation:	Under-mount
Bowl area (Only)	Length: 17-3/16" (437 mm) Width: 14-3/16" (360 mm) Water depth: 4-3/4" (121 mm)
Drain hole:	1-3/4" (44 mm)
Template:	1151011-7, required, included

Notes

Install this product according to the installation instructions.

NOTICE: Countertop manufacturer or cutter must use the cut-out template provided with the product, or a current one provided by Kohler Co. (call 1-800-4-KOHLER). Kohler Co. is not responsible for cutout errors when the incorrect cut-out template is used.

ADA compliant when installed to the specific requirements of these regulations.