

Features

- Adjustable sprayface rotates to select wide-coverage or forceful utility spray options
- MasterClean™ sprayface resists hard water buildup and is easy to clean
- Handshower contains flow regulating check valve for backflow prevention

SQUARE HANDSHOWER
K-14788
ALSO K-45203



Codes/Standards Applicable

Specified model meets or exceeds the following:

- ASME A112.18.1/CSA B125.1
- Energy Policy Act of 2005

Colors/Finishes

- CP: Polished Chrome
- Other: Refer to Price Book for additional colors/finishes

Accessories

- CP: Polished Chrome

Specified Model

Model	Description	Colors/Finishes	
K-14788	Square handshower - black handle, 2.5 gpm (9.5 lpm)	<input type="checkbox"/> CP	<input type="checkbox"/> Other ____
K-14788-GR	Square handshower - grey handle, 2.5 gpm (9.5 lpm)	<input type="checkbox"/> CP	<input type="checkbox"/> Other ____
K-45203	Square handshower - black handle, 2.0 gpm (7.6 lpm)	<input type="checkbox"/> CP	<input type="checkbox"/> Other ____
K-45203-GR	Square handshower - grey handle, 2.0 gpm (7.6 lpm)	<input type="checkbox"/> CP	<input type="checkbox"/> Other ____

Required Accessories			
K-8593	72" (1829 mm) metal shower hose OR	U	<input type="checkbox"/> CP
K-9514	60" (1524 mm) metal shower hose		<input type="checkbox"/> CP

Product Specification

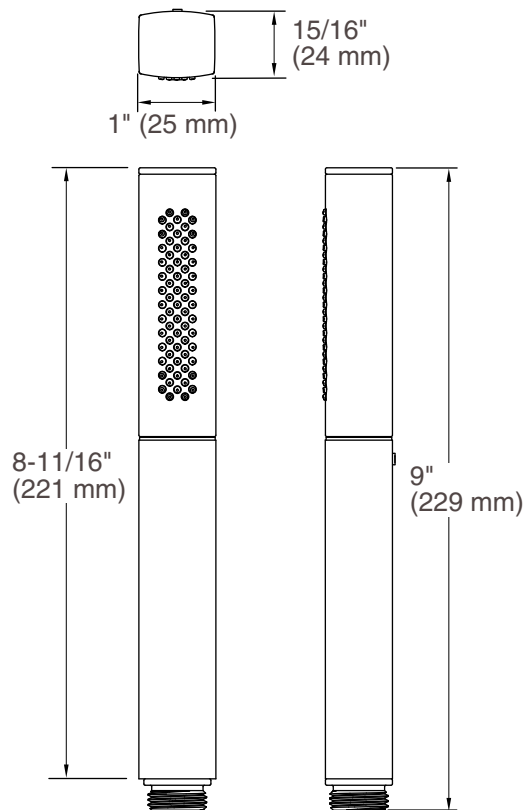
Multi-function square handshower shall feature adjustable sprayface that rotates to select wide-coverage or forceful utility spray options. Handshower shall feature a MasterClean sprayface, which resists hard water buildup and is easy to clean. Handshower shall contain flow regulating check valve for backflow prevention. Handshower shall be Kohler Model K-_____-____.

Installation Notes

Install this product according to the installation guide.

Plumbing codes require an atmospheric vacuum breaker (such as Kohler Model K-9660) be installed in-line with handshowers. Please consult with local plumbing officials.

NOTE: Handshower contains flow regulating check valve for backflow prevention.



Product Diagram