

Features

- Brass construction
- Available with lever handle
- Front seal plate assembly
- Handle assembly
- Complements Fairfax® Suite

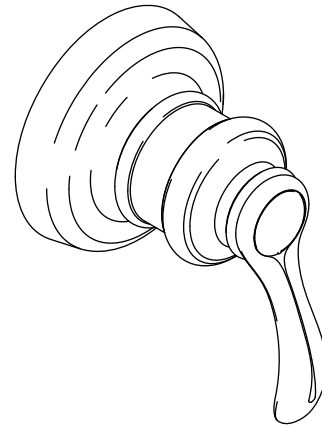
**TRANSFER VALVE TRIM
K-T12189**

ADA **CSA B651** **OBC**

Codes/Standards Applicable

Specified model meets or exceeds the following:

- ADA
- ICC/ANSI A117.1
- CSA B651
- OBC
- ASME A112.18.1/CSA B125.1



Colors/Finishes

- CP: Polished Chrome
- PB: Vibrant® Polished Brass
- Other: Refer to Price Book for additional colors/finishes

Accessories

- NA: None applicable

Specified Model

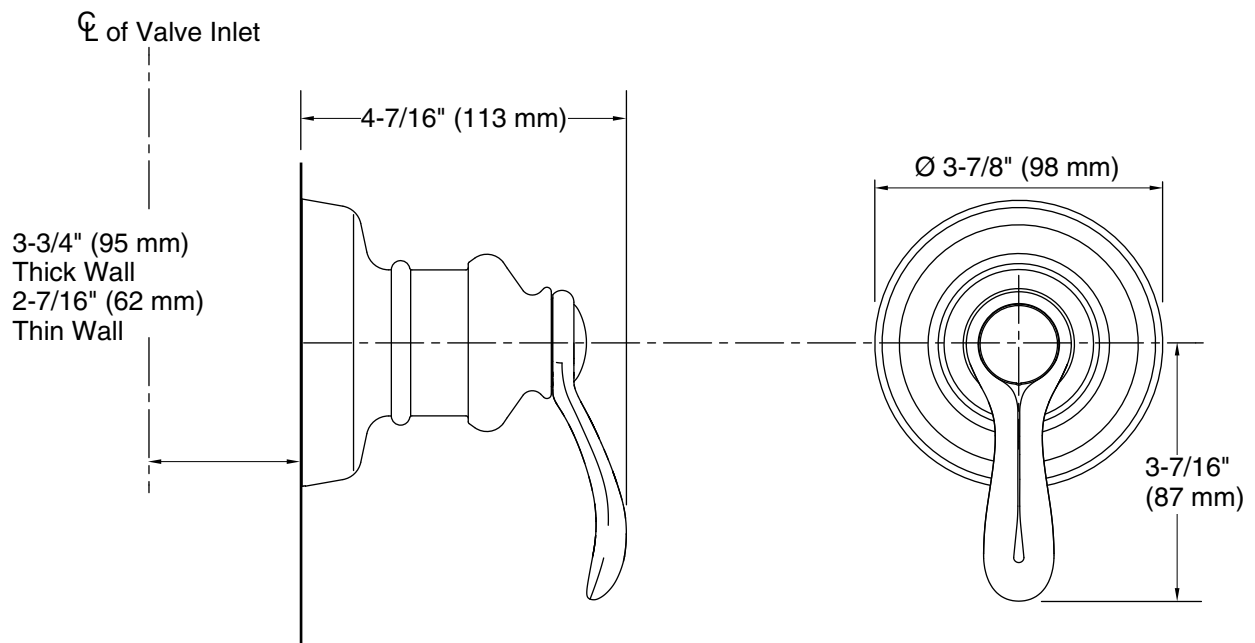
For complete faucet, both faucet trim and valving must be specified.			
Model	Description	Colors/Finishes	
K-T12189-4	Transfer valve trim	<input type="checkbox"/> CP	<input type="checkbox"/> Other _____
Required Accessory			
K-728-K	3/4" Transfer valve	<input type="checkbox"/> NA	
K-737-K	3/4" Diverter valve	<input type="checkbox"/> NA	

Product Specification

Transfer valve trim shall be of brass construction. Trim shall include front seal plate assembly and handle assembly. Product shall be available with lever handle. Trim shall complement the Fairfax® Suite. Transfer valve trim shall be Kohler Model K-T12189-____ and transfer valve shall be K-672-K-NA.

Installation Notes

Install this product according to the installation guide.



K-T12189

Product Diagram