

**HANDSHOWER
K-10597**

Features

- 2.5 gpm (9.5 lpm)
- Wide-coverage, therapeutic massage, and soft aerated
- ADA non-positive shut-off
- Complements the Bancroft Suite

ADA

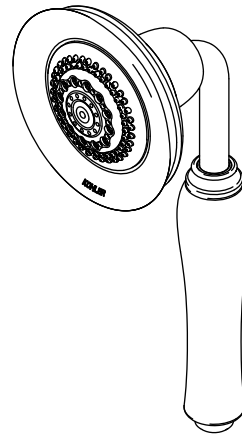
CSA B651

OBC

Codes/Standards Applicable

Specified model meets or exceeds the following:

- ASME A112.18.1/CSA B125.1
- ICC/ANSI A117.1
- ADA
- CSA B651
- OBC



Colors/Finishes

- CP: Polished Chrome
- Other: Refer to Price Book for additional colors/finishes

Accessories

- CP: Polished Chrome

Specified Model

Model	Description	Colors/Finishes	
K-10597	Handshower	<input type="checkbox"/> CP	<input type="checkbox"/> Other _____
Required Accessories			
K-9514	60" (1524 mm) metal shower hose	<input type="checkbox"/> CP	

Product Specification

Handshower shall feature wide-coverage, therapeutic massage, soft aerated, and ADA non-positive shut-off. Handshower shall complement the Bancroft faucet line. Handshower shall have a 2.5 gallon (9.5 L) per minute flow rate. Product shall be Kohler Model K-10597-_____.

BANCROFT®

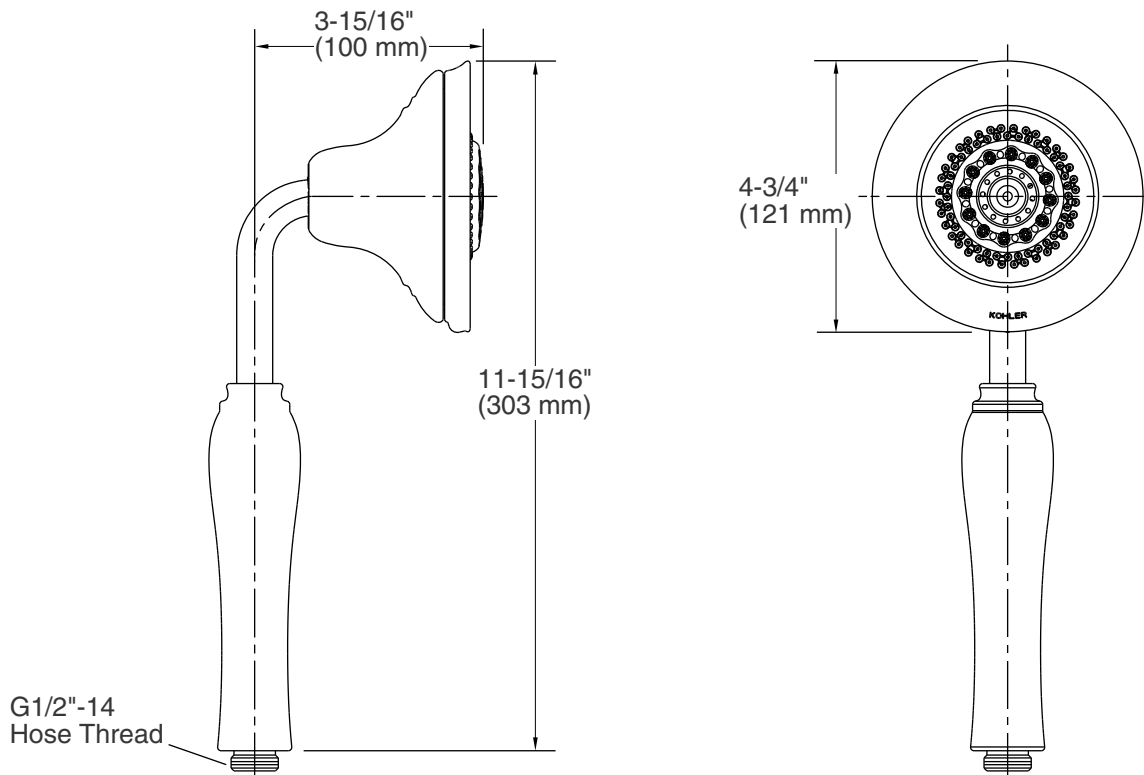
Installation Notes

Install this product according to the installation guide.

Plumbing codes require an atmospheric vacuum breaker (such as Kohler Model K-9660) be installed in-line with handshowers. Please consult with local plumbing officials.

Reduced flow spray option provided non-positive shut-off required by 2010 ADA standard for accessible design, section 607.6 Spray Unit and Water (Baths) and section 608.6 Spray Unit and Water (Showers).

ADA, CSA B651, OBC compliant when installed to the specific requirements of these regulations.



Product Diagram