

### Features

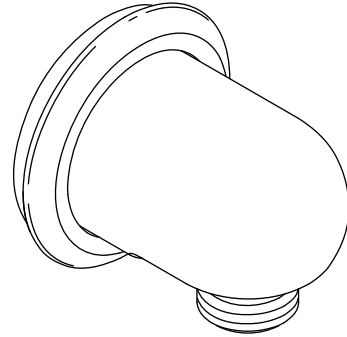
- Brass construction

### WALL-MOUNT SUPPLY ELBOW K-355

### Codes/Standards Applicable

Specified model meets or exceeds the following:

- ASME A112.18.1/CSA B125.1



### Colors/Finishes

- CP: Polished Chrome
- Other: Refer to Price Book for additional colors/finishes

### Specified Model

Model	Description	Colors/Finishes	
K-355	Wall-mount supply elbow	<input type="checkbox"/> CP	<input type="checkbox"/> Other_____

### Product Specification:

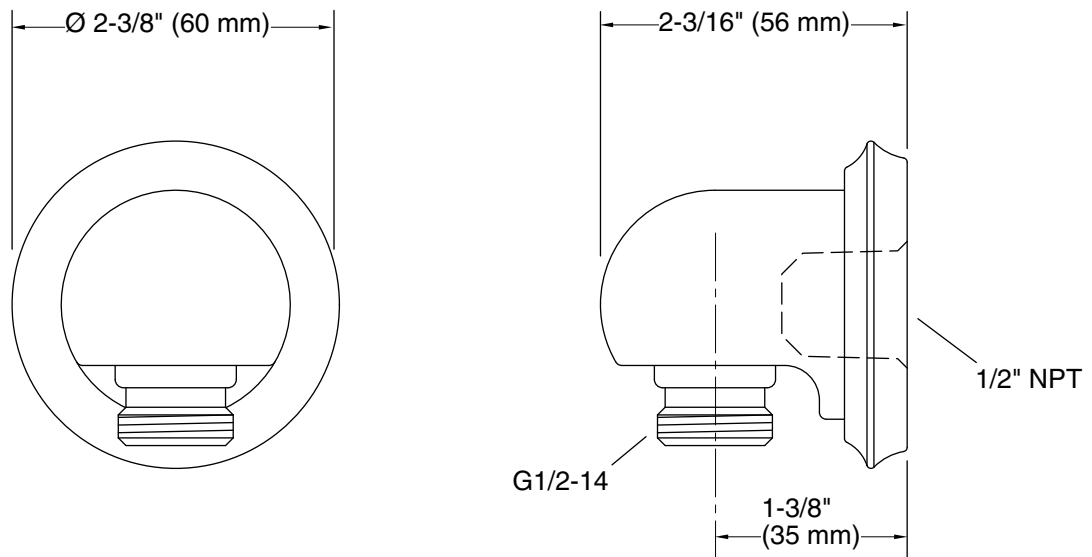
Supply elbow shall be of brass construction. Product is intended for wall-mount installations. Supply elbow shall be Kohler Model K-355-\_\_\_\_\_.

## Technical Information

Applicable product:	
Wall-mount supply elbow	K-355

## Installation Notes

Install this product according to the installation guide.



## Product Diagram