

Features

- Brass construction
- Available with lever handle
- Front seal plate assembly
- Handle assembly
- Complements Antique™ Suite

**THERMOSTATIC TRIM SET
K-T10110**

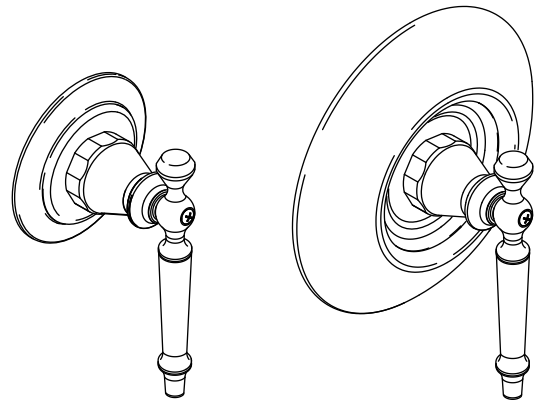
ALSO K-T10111, K-T10113

ADA **CSA B651** **OBC**

Codes/Standards Applicable

Specified model meets or exceeds the following:

- ADA
- ASME A112.18.1/CSA B125.1
- ICC/ANSI A117.1
- CSA B651
- OBC



Colors/Finishes

- CP: Polished Chrome
- PB: Vibrant® Polished Brass
- Other: Refer to Price Book for additional colors/finishes
- NA: None applicable

Specified Model

| For complete valve, both faucet trim and valving must be specified. | | | | |
|---|-------------------------|-----------------------------|-----------------------------|-------------------------------------|
| Model | Description | Colors/Finishes | | |
| K-T10110-4 | Thermostatic valve trim | <input type="checkbox"/> CP | <input type="checkbox"/> PB | <input type="checkbox"/> Other ____ |
| K-T10111-4 | Volume control trim | <input type="checkbox"/> CP | <input type="checkbox"/> PB | <input type="checkbox"/> Other ____ |
| K-T10113-4 | Transfer valve trim | <input type="checkbox"/> CP | <input type="checkbox"/> PB | <input type="checkbox"/> Other ____ |

Product Specification

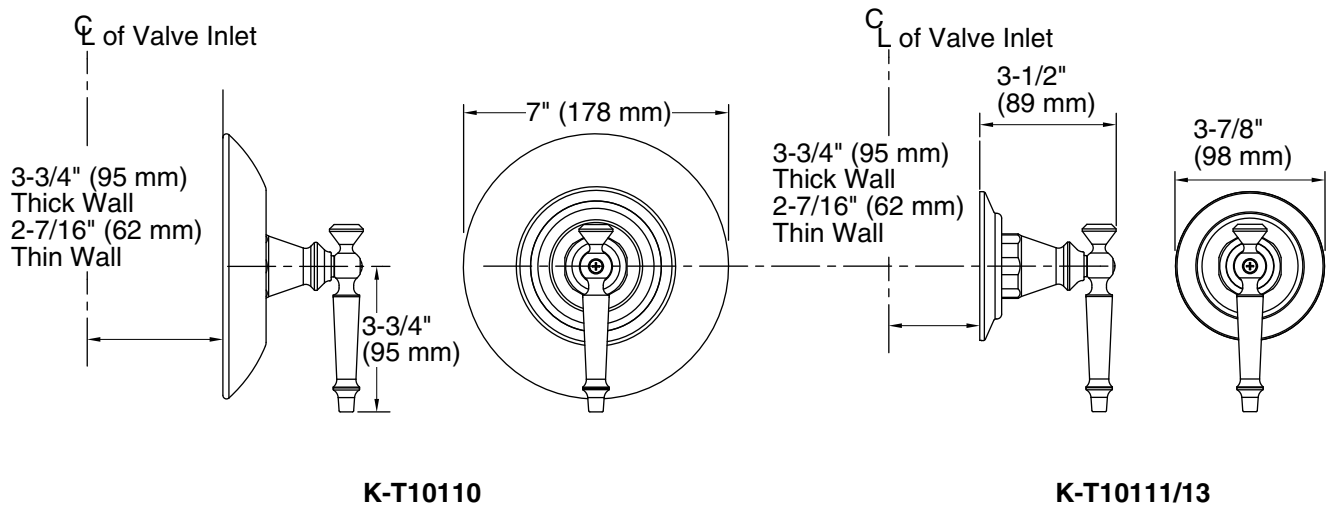
Thermostatic trim set shall be of brass construction. Thermostatic trim set shall include front seal plate assembly and handle assembly. Product shall be available with lever handle. Trim shall complement the Antique™ Suite. Thermostatic trim set shall be Kohler Model K-T____-____-____, thermostatic valving shall be Kohler Model K-____-____-NA, and ceramic dial faceplate for Kohler Model K-T10110 shall be K-10140.

ANTIQUETM

| Required Accessories | | |
|-------------------------------|-------------------------------------|-------------------------------------|
| K-2972-KS (replaces K-679-KS) | 1/2" Thermostatic valve | <input type="checkbox"/> NA |
| K-2974-K (replaces K-681-K) | 1/2" Volume control | <input type="checkbox"/> NA |
| K-2975-KS (replaces K-669-KS) | 3/4" Thermostatic valve | <input type="checkbox"/> NA |
| K-2977-K (replaces K-671-K) | 3/4" Volume control | <input type="checkbox"/> NA |
| K-728-K | 3/4" Transfer valve | <input type="checkbox"/> NA |
| K-737-K | 3/4" Diverter valve | <input type="checkbox"/> NA |
| K-10140 | Ceramic dial faceplate for K-T10110 | <input type="checkbox"/> Other ____ |

Installation Notes

Install this product according to the installation guide.



Product Diagram