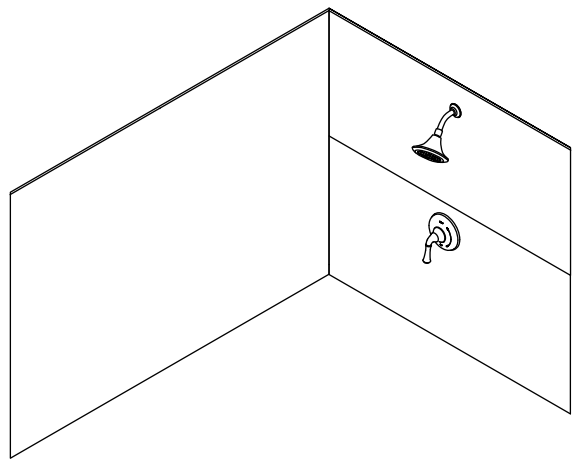


1236601-2-D



USA/Canada: 1-800-4KOHLER
Mexico: 001-800-456-4537
kohler.com

WARNING: Risk of serious injury. When cutting the wall panels, take appropriate safety measures including the use of breathing protection.

CAUTION: Risk of serious injury. Always wear safety glasses while cutting and drilling.

CAUTION: Risk of injury. If the ceiling will be covered with the wall material, the ceiling must be installed prior to the wall panels. Allow sufficient time for the ceiling installation to cure before installing the wall panels or the ceiling can fall during installation, causing injury.

CAUTION: Risk of product damage. The wall panels should be room temperature before cutting. Allow the temperature to stabilize if the walls were outside in a cold climate.

CAUTION: Risk of product damage. Prolonged exposure to UV light will damage the finish on the wall panels.

IMPORTANT! Dust will be generated when cutting the wall panels. Cutting the panels should be performed outside or in a well ventilated area.

IMPORTANT! For best results, cut the walls using a masonry blade and circular saw blade. Do not use a blade with teeth.

IMPORTANT! If the wall panels have patterns, lay out the panels before cutting and determine the desired layout.

IMPORTANT! Leave this manual for the end user.

Read these instructions before installing or using this product.

NOTE: Install corner joints for aesthetic look when the wall is out-of-plumb less than 3/8" (10 mm), or the panels are cut unevenly. The existing rough walls must be within 3/8" (10 mm) of plumb. Shim as needed.

Use color matched silicone sealant in the joints that match the color of the walls as closely as possible.

Check all joints, walls, and accessories for proper color before beginning installation.

Cover the shower base with a drop cloth or other protective material to avoid damage.

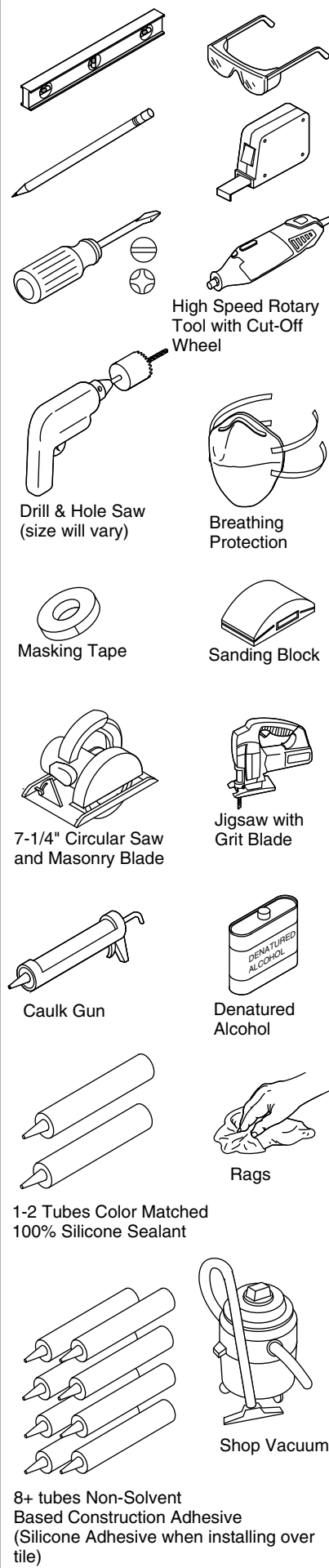
Follow the construction adhesive and silicone sealant instructions for application and curing time.

Inspect all components for damage after unpacking, prior to installation.

A router may be used to cut the walls. The router bit will dull quickly.

If the panels are being installed over existing tile, scuff the tile using 100 grit sandpaper to provide a better surface for adhesive contact.

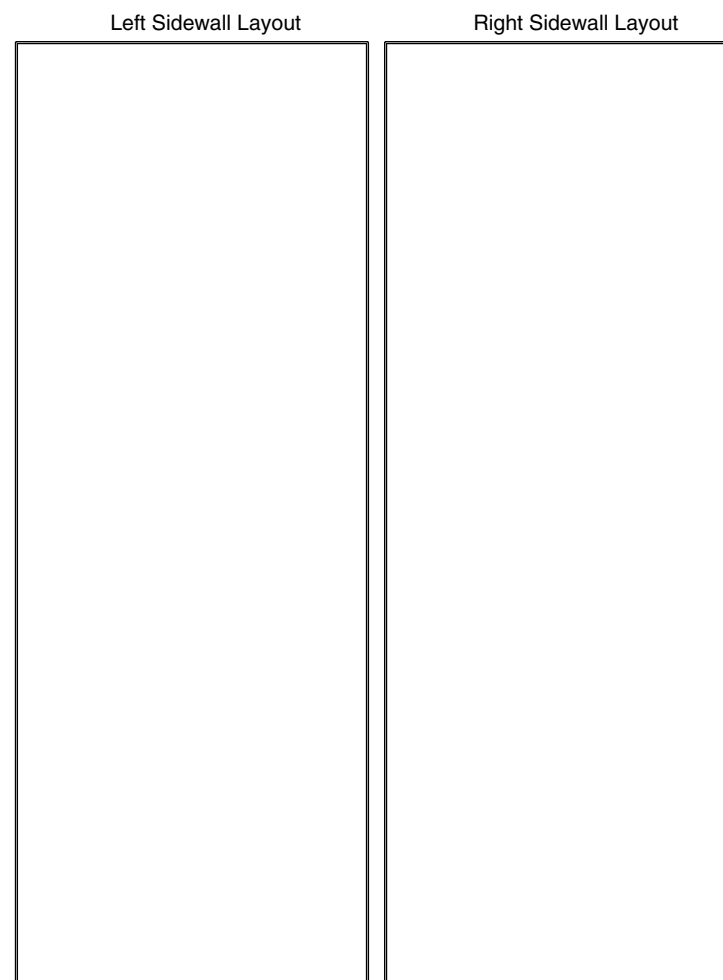
Required Tools



- Plus:**
- Standard Woodworking Tools
 - Spring Loaded Braces or Lumber (to create bracing)
 - Sawhorses
 - Drop Cloth
 - 1/4" Roundover Router Bit (Optional)

Rough-in Plan

Layout
Record your layout in the area below. Note the location of backer material, seams, and accent walls.

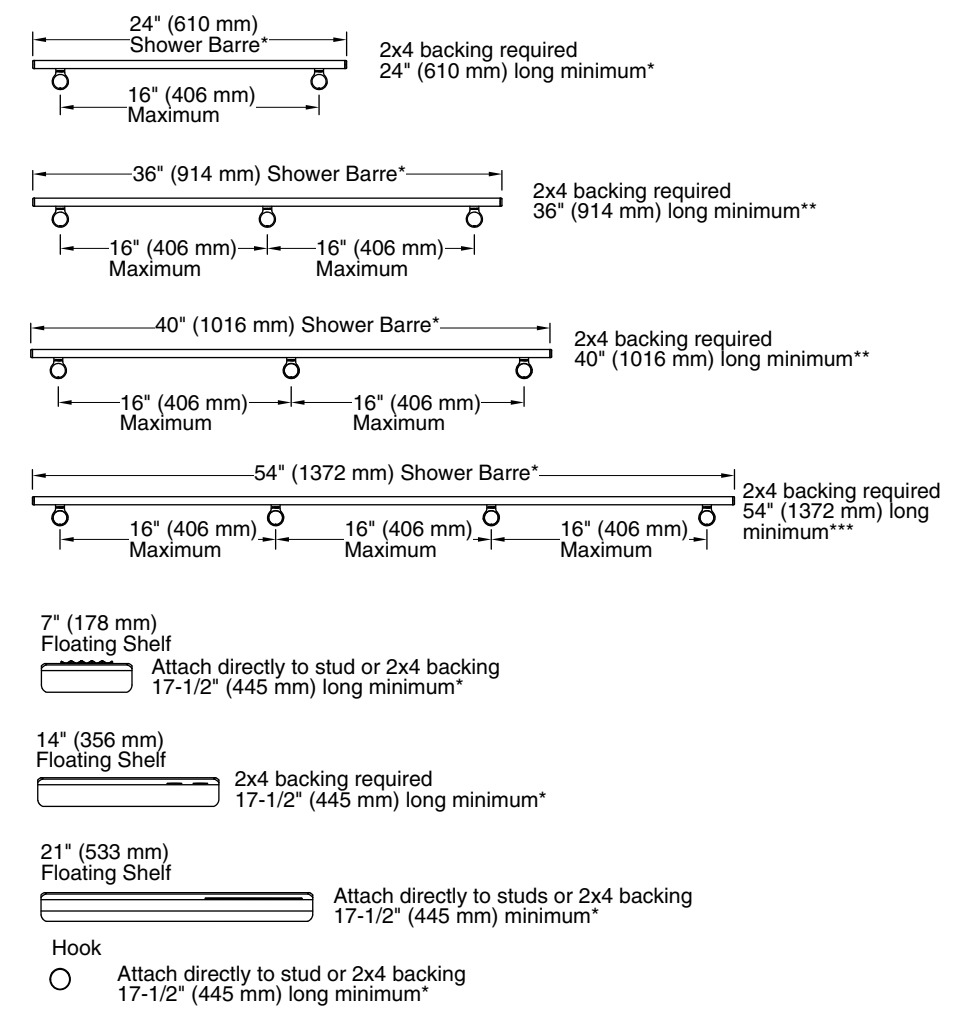


Record model number from box for reference.

Model Number: _____

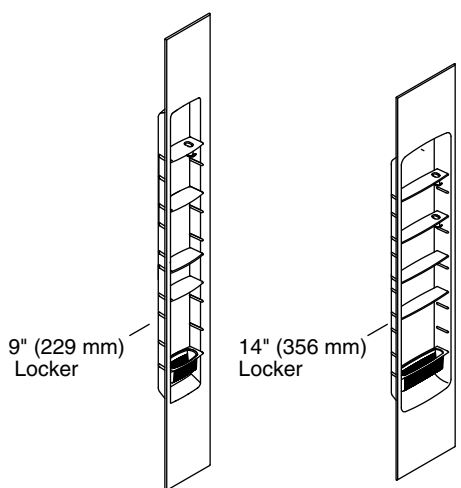
Accessories

Available accessories are shown. Determine installation location prior to wall installation. Install backer board support as indicated.

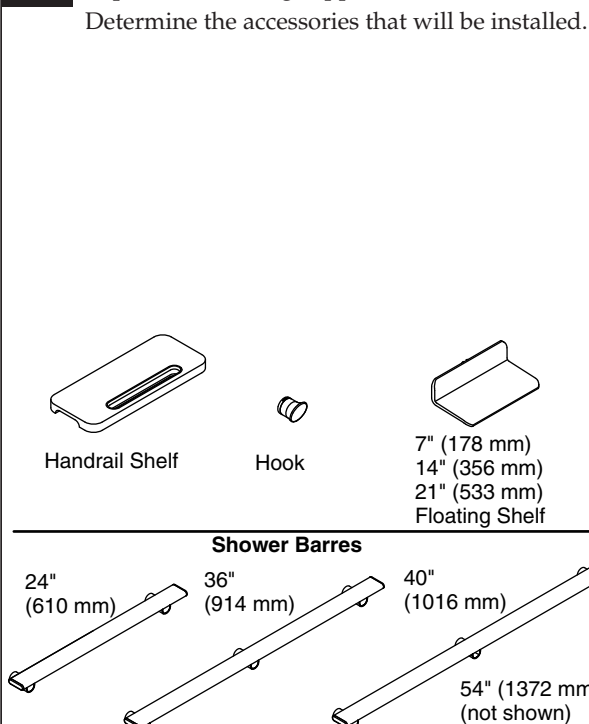


* Backer board should span two studs.
** Backer board should span three studs.
*** Backer board should span four studs.

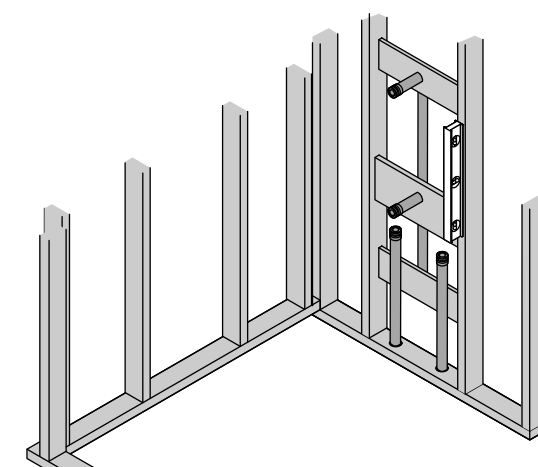
1 IMPORTANT! If a 9" (229 mm) or 14" (356 mm) locker unit will be installed, follow the directions packed with the locker unit. Do not use this installation guide.



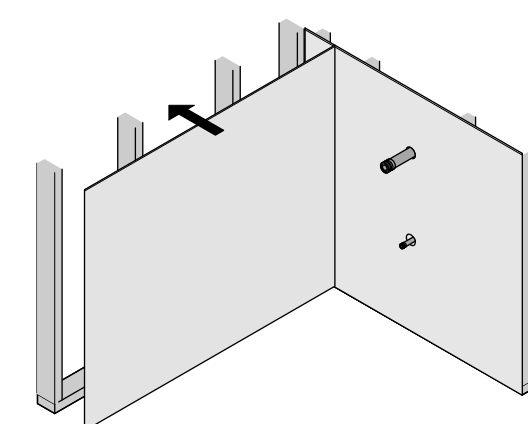
2 NOTE: The handrails, robe hook, and shelves require 2x4 backing support. Determine the accessories that will be installed.



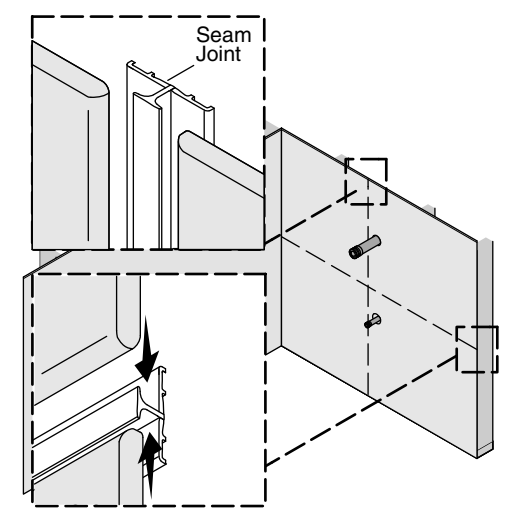
3 Install the rough plumbing for the bath and shower components. Install backing support for all accessories that require additional support following the instructions provided with the accessory. Record the locations of the backing on the diagram above.



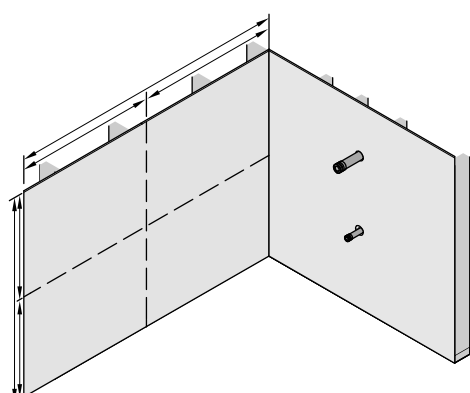
4 IMPORTANT! Water resistant wallboard backing material is recommended. Check the studs for plumb. Studs should be within 3/8" (10 mm) of plumb. Use shims if necessary to ensure all walls are plumb or within 3/8" (10 mm) of plumb.



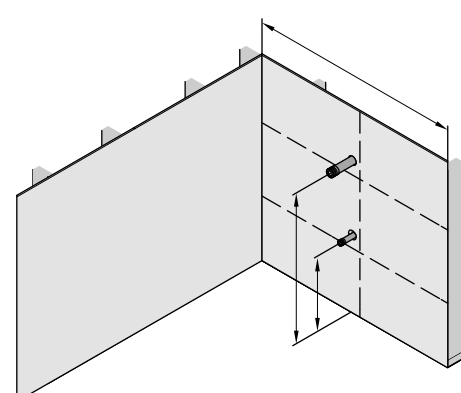
5 Determine if there will be vertical or horizontal seams beyond the corner locations. Order optional seam joints as needed. Determine if edge trim will be installed. Order optional edge trim as needed.



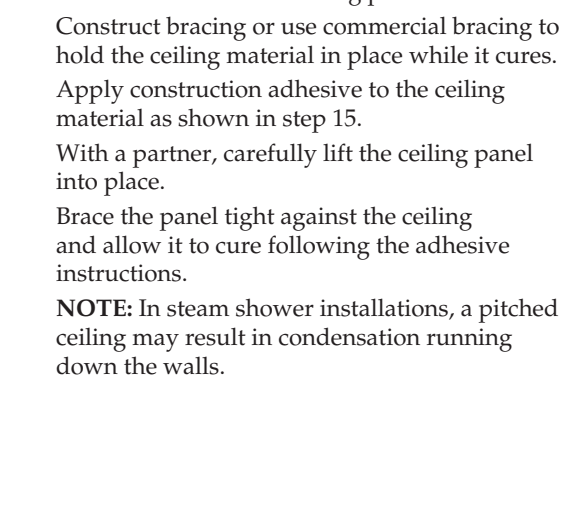
6 Back Wall Measurement: Measure the installation area to determine the cut dimensions for the panel(s). If corner joints will be installed, subtract 1/16" (2 mm) from the width of the wall panel for each corner joint. If a seam joint(s) will be installed, subtract 1/16" (2 mm) from the width or height of the wall panel for each seam joint. Mark the cut lines on the back side of the wall panel(s).



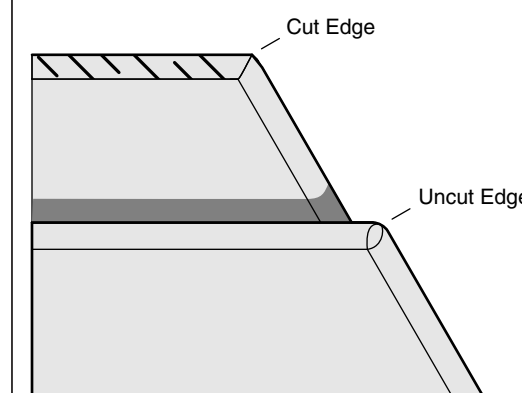
7 Sidewall Measurement: If a corner joint(s) will be installed, subtract 5/16" (8 mm) from the width of the wall panel for each corner joint. If a seam joint(s) will be installed, subtract 1/16" (2 mm) from the width or height of the wall panel for each seam joint. Record the location of the handle, showerhead, bath spout and other components. Mark the cut lines on the back side of the wall panel(s).



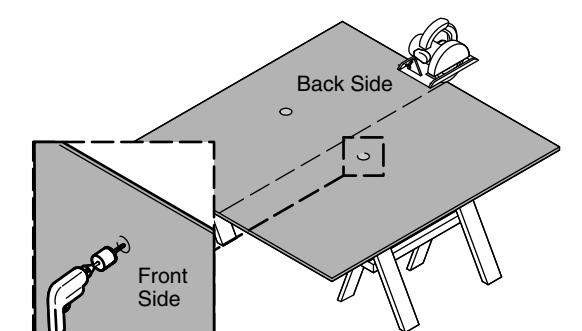
8 Optional for Installations With Ceiling Panels: **CAUTION: Risk of injury.** Install the ceiling panel and allow the adhesive to cure before installing the wall panels. If the ceiling will be covered with the panel material, measure and cut the ceiling panel to size. **NOTE:** Polyurethane based adhesive is recommended for the ceiling panel. Construct bracing or use commercial bracing to hold the ceiling material in place while it cures. Apply construction adhesive to the ceiling material as shown in step 15. With a partner, carefully lift the ceiling panel into place. Brace the panel tight against the ceiling and allow it to cure following the adhesive instructions. **NOTE:** In steam shower installations, a pitched ceiling may result in condensation running down the walls.



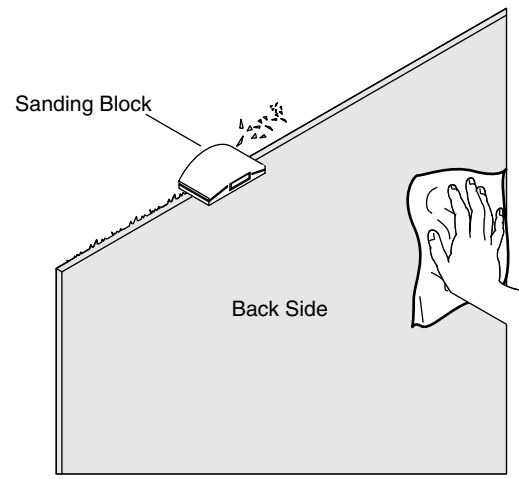
9 IMPORTANT! For seam joint installations, the cut edge of the panel **MUST** be positioned opposite the seam. The seam joint **MUST** mate to an uncut, beveled wall panel edge. If the wall panel has already been cut, use a router and a 1/4" roundover bit to restore the bevel on the panel edge before installing a vertical or horizontal seam joint.



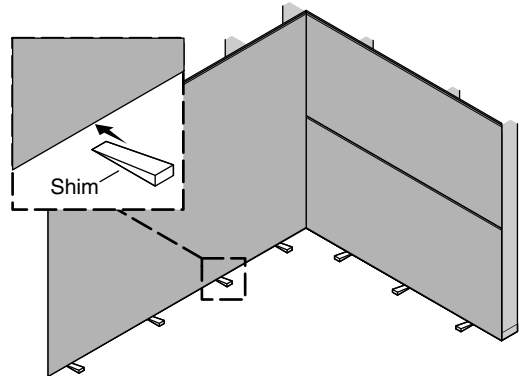
10 Position the back wall panel face down on a stand or sawhorses that have a protective material on them. **IMPORTANT!** It is recommended the panel be cut using a power saw and an abrasive wheel or an abrasive masonry blade. Cut the panel to the required dimensions. Use a jigsaw with a grit blade for contour cuts. Repeat with the side wall panels. From the front side of the panel, use a hole saw to cut the holes for valving and other shower components.



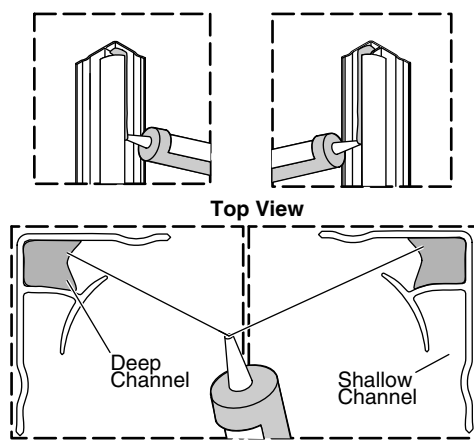
11 **IMPORTANT!** It is critical the walls and panels are clean for a strong bond to be created by the adhesive.
Clean the back of the panels with denatured alcohol.
On the edges of each panel, remove excess material and smooth any rough edges using a sanding block.
When wall panels fit into the corner joints, sand the cut edges for a smooth fit.



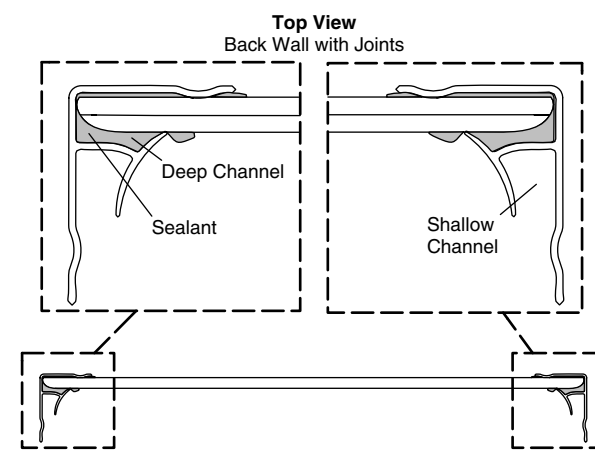
12 Dry fit the corner and seam joints to the back wall panel if they are being installed. (See step 14 for correct orientation.)
Dry fit the back and sidewall panels to confirm fit. Adjust as needed.
Remove the wall panels and joints.



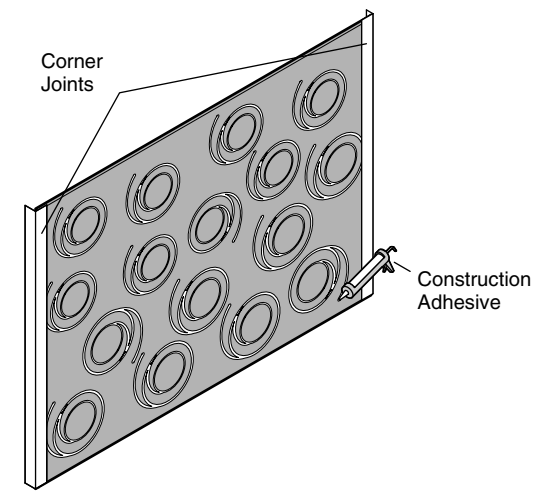
13 **Installations Using Corner Joint(s):**
Measure the height of the back wall panel.
Cut the corner joint to the height of the back wall panel.
Apply color matched silicone sealant in the deep channel on the corner joint. Apply enough sealant to fill 1/2 of the channel.



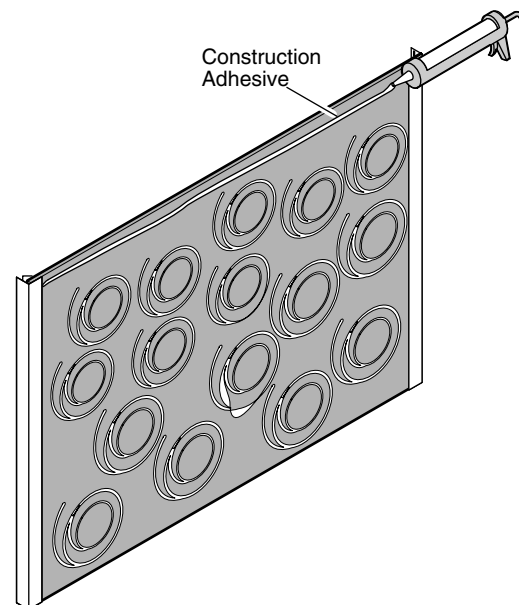
14 **Installations Using Corner Joint(s):**
Install the deep channel of the corner joint on the side of the back wall panel.
Repeat for the second joint if needed.
TIP: To remove excess adhesive, spray denatured alcohol on the area to be cleaned and onto your finger. The denatured alcohol will help make the removal of the adhesive easier.



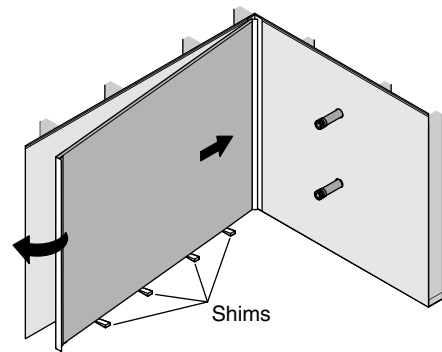
15 **NOTE:** Use silicone sealant if the panels are being installed over tile. Use bath and shower construction adhesive for other applications.
Apply construction adhesive or silicone adhesive to the back wall panel in a circular pattern.
The beads of adhesive should be 5" (127 mm) to 7" (178 mm) apart.



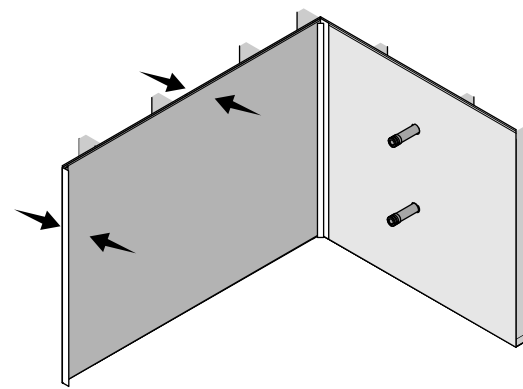
16 Apply a bead of construction adhesive along the top edge of the back wall panel 3/4" (19 mm) from the edge.



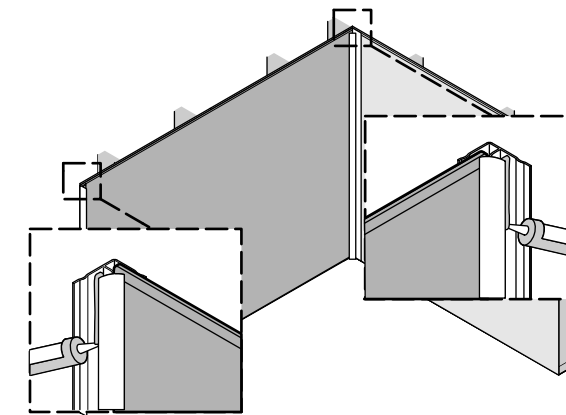
17 Move the back wall panel into place at a slight angle.
Push the panel against the rough wall. Press firmly and evenly across the entire wall. The panel should contact the rough wall along the entire area.
TIP: When removing excess silicone sealant, spray denatured alcohol on the area with excess sealant and your finger.
Remove the excess sealant with your finger.



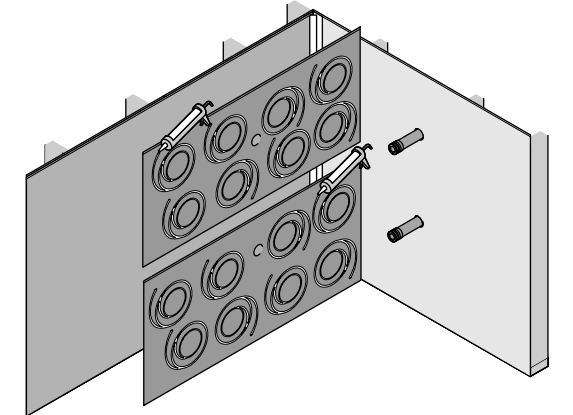
18 Push firmly on all surfaces of the back wall panel for full adhesion.
NOTE: Bracing may be needed to hold the panel in place depending on the wall material and adhesive being used.
When installed over tile, use a temporary brace to secure each wall panel in place for 48 hours to allow full adhesion.



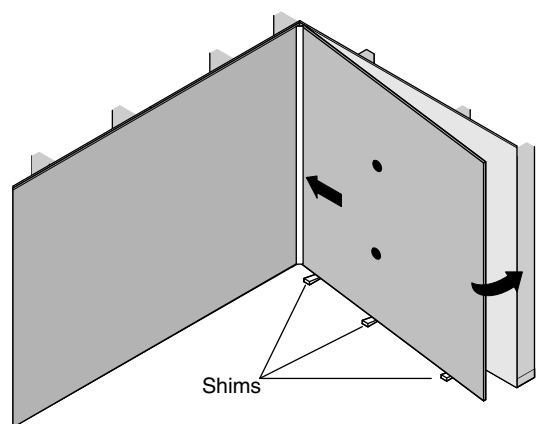
19 If corner joints are installed, apply color matched silicone sealant in the shallow channel. Apply enough sealant to fill 1/2 of the channel.



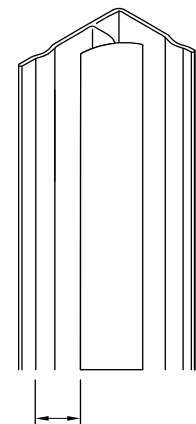
20 **NOTE:** Use silicone adhesive if the panels are being installed over tile. Use bath and shower construction adhesive for other applications.
Apply bath and shower construction adhesive to the side wall panel (bottom panel if there are two panels) in a circular pattern. The beads of sealant should be 5" (127 mm) to 7" (178 mm) apart.



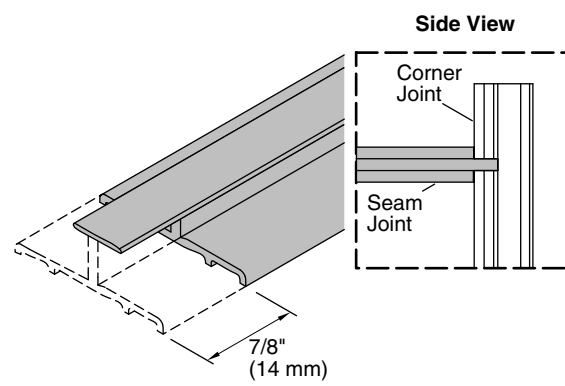
21 Press the side wall panel (bottom panel if there are two panels) to the joints, then push the panel firmly against the rough wall.
NOTE: Bracing may be needed to hold the panel in place depending on the wall material and adhesive being used.
When installed over tile, use a temporary brace to secure each wall panel in place for 48 hours to allow full adhesion.



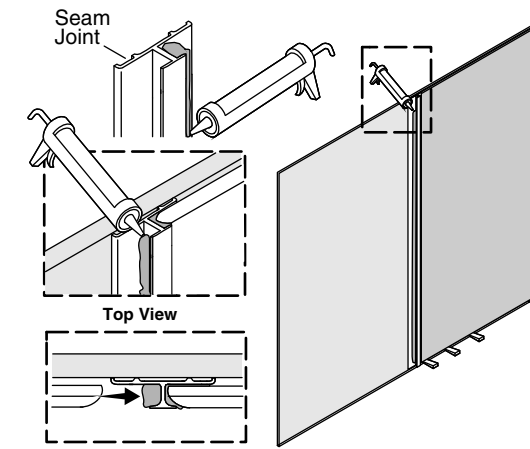
22 **Installations With Horizontal Seam Joint(s):**
If a seam joint will be installed with a corner joint, allow enough length for the seam joint to extend into the corner joint channel.
Cut the seam joint to the required length.



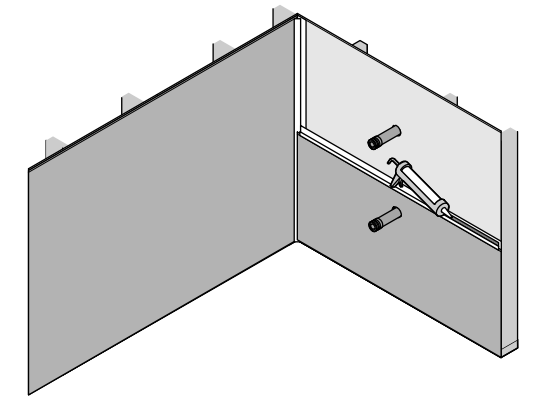
23 Trim the end of seam joint where it will meet the corner joint as shown.
NOTE: To trim the seam joint, a small rotary tool with a cutting wheel is recommended.



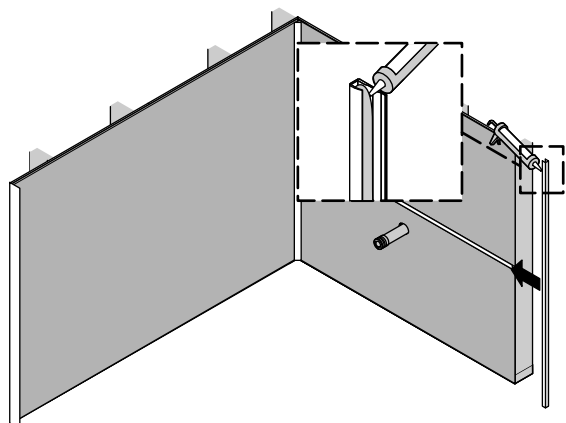
24 **Installations With Vertical Seam Joint(s):**
Fill one channel on the wall side of the seam joint with color matched silicone sealant.
Install the seam joint onto the installed wall panel.
Apply color matched silicone sealant to the second channel of the seam joint when you are ready to install the locker unit.



25 **Installations With Horizontal Seam Joint(s):**
Fill one channel with color matched silicone sealant on the seam joint and install the seam joint to the installed wall panel.
Install the additional wall panels following the same steps.
Repeat steps 19 through 26 with the second side of the enclosure

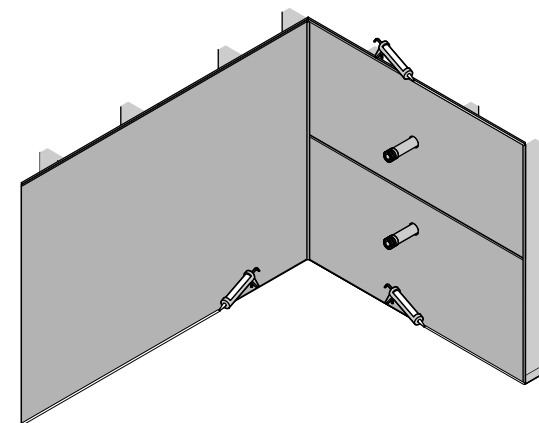


26 If installing edge trim on the outside edge of the wall panel(s), measure the panel height and cut the edge trim to fit.
Apply color matched silicone sealant to the edge trim channel.
Install the edge trim to the outside edge of the wall panel(s).

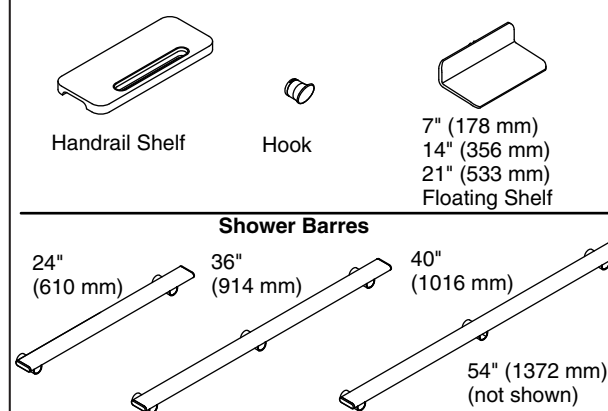


27 **IMPORTANT:** For better adhesion success, allow the panels to cure 24 to 48 hours before performing the final steps. Sealing the top and bottom will restrict air flow, resulting in longer curing time.
IMPORTANT! Brace the wall panels while the adhesive is curing to stop the panels from bowing outward.

28 Apply sealant to the top seam where the panels meet the rough wall.
Apply sealant to the bottom seams where the panels meet the bath or shower base.
Apply sealant to any exposed cut edges.



29 Install all accessories following the instructions packed with them.

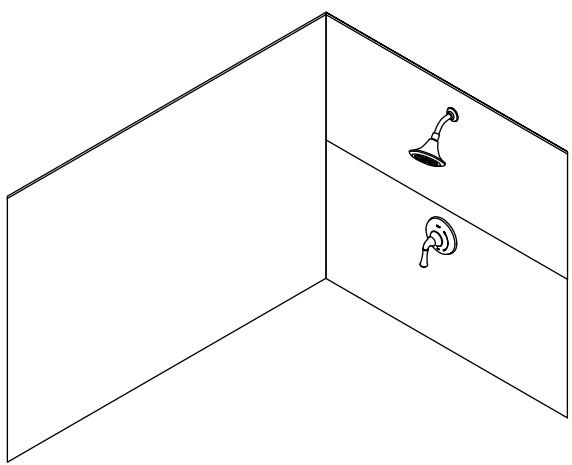


30 Wait 24 hours before showering or running water.

Troubleshooting	
Symptom	Recommended Action
1. A panel is not correctly adhering to the wall or ceiling.	A. There may be vapor lock. Pull the panel out away from the wall to allow vapor to escape and press back into place. B. Is the installation over tile? The tile should have been roughed up with sandpaper to allow a better surface for the adhesive to grip. Remove the panel, rough up the tile, apply additional adhesive, and reinstall the panel. C. Were the wall and panel surfaces cleaned before adhesive was applied? Remove the panel and clean the surfaces. Apply additional adhesive. Reinstall the panel.

KOHLER® Limited Warranty — Choreograph™ Walls and Accessories
Kohler Co. warrants all Choreograph™ products (including Choreograph™ accessories) to be free of defects in material and workmanship during normal residential use for ten (10) years from the date of sale. If a Choreograph™ product or accessory is used commercially or is installed outside of the United States of America, Canada or Mexico, Kohler Co. warrants the Choreograph™ product or accessory to be free of defects in material and workmanship during normal use for three (3) years from the date of sale.
If Kohler Co.'s inspection of your Choreograph™ product or accessory discloses a defect in material or workmanship within the applicable period of coverage stated above, Kohler Co. will, at its election, repair, replace or make appropriate adjustment. Kohler Co. is not responsible for labor charges, installation, or other incidental or consequential costs. In no event shall the liability of Kohler Co. exceed the purchase price of the Choreograph™ product or accessory. Damages due to improper handling, installation or maintenance are not considered manufacturing defects and are not covered by this warranty. This warranty is valid for the original, consumer purchaser only. Proof of purchase (original sales receipt) must be provided to Kohler Co. with all warranty claims.
To obtain warranty service, contact Kohler Co., either through your plumbing contractor, home center, wholesaler, dealer, or E-tailer, or by calling or writing Kohler Co., Attn.: Customer Care Center, 444 Highland Drive, Kohler, Wisconsin 53044, 1-800-4KOHLER (1-800-456-4537) from within the USA and Canada, and 001-800-456-4537 from within Mexico, or visit www.kohler.com within the USA, www.ca.kohler.com from within Canada, or www.mx.kohler.com in Mexico.
TO THE EXTENT PERMITTED BY LAW, ALL IMPLIED WARRANTIES INCLUDING THOSE OF MERCHANTABILITY AND FITNESS FOR A PARTICULAR PURPOSE ARE HEREBY DISCLAIMED. KOHLER CO. AND SELLER HEREBY DISCLAIM ANY LIABILITY FOR SPECIAL, INCIDENTAL, OR CONSEQUENTIAL DAMAGES. Some states/provinces do not allow limitations on how long an implied warranty lasts, or the exclusion or limitation of special, incidental or consequential damages, so these limitations and exclusions may not apply to you. This warranty gives you specific legal rights. You may have other rights which vary from state/province to state/province.
This is the exclusive written warranty for Kohler Co.

1236601-2-D



USA/Canada: 1-800-4KOHLER
Mexique: 001-800-456-4537
kohler.com

AVERTISSEMENT: Risque de blessures graves. Lors de la découpe des panneaux muraux, suivre les mesures de sécurité appropriées, et inclure l'utilisation d'une protection respiratoire.

ATTENTION: Risque de blessures graves. Toujours porter des lunettes de sécurité pendant la découpe et le perçage.

ATTENTION: Risque de blessures. S'il sera recouvert du matériau de panneau mural, le plafond devra être installé avant les panneaux muraux. Laisser assez de temps pour l'installation du plafond, afin que celui-ci sèche avant de poser les panneaux muraux; sinon le plafond pourrait tomber pendant l'installation, ce qui créerait des blessures.

ATTENTION: Risque d'endommagement du produit. Les panneaux muraux doivent être à la température ambiante avant d'être coupés. Attendre que la température se soit stabilisée si les murs étaient entreposés à l'extérieur, dans un climat froid.

ATTENTION: Risque d'endommagement du produit. Une exposition prolongée à la lumière ultraviolette endommagera la finition sur les panneaux muraux.

IMPORTANT! De la poussière sera générée lors de la découpe des panneaux muraux. La découpe des panneaux doit être effectuée à l'extérieur ou dans une zone bien ventilée.

IMPORTANT! Pour obtenir les meilleurs résultats possibles, couper les murs à l'aide d'une lame à maçonnerie et d'une lame de scie circulaire. Ne pas utiliser une lame dotée de dents.

IMPORTANT! Si les panneaux muraux ont des motifs, étaler les panneaux avant de couper et déterminer la disposition souhaitée.

IMPORTANT! Laisser ce manuel pour l'utilisateur final.

Lire ces instructions avant d'installer ou d'utiliser ce produit.

REMARQUE: Installer les joints de coins pour offrir une vue esthétique lorsque le mur est hors d'aplomb à moins de 3/8" (10 mm), ou si les panneaux sont coupés de manière inégale.

Les murs de raccordement existants doivent être compris dans un rayon de 3/8" (10 mm) de l'aplomb. Caler selon les besoins.

Utiliser un mastic à la silicone de couleur assortie dans les joints afin de le faire correspondre le plus possible à la couleur des murs.

Inspecter tous les joints, ainsi que les parois et les accessoires pour vérifier que la couleur est adéquate avant de commencer l'installation.

Recouvrir la base de la douche avec une toile de protection ou un autre matériel de protection pour éviter des dommages.

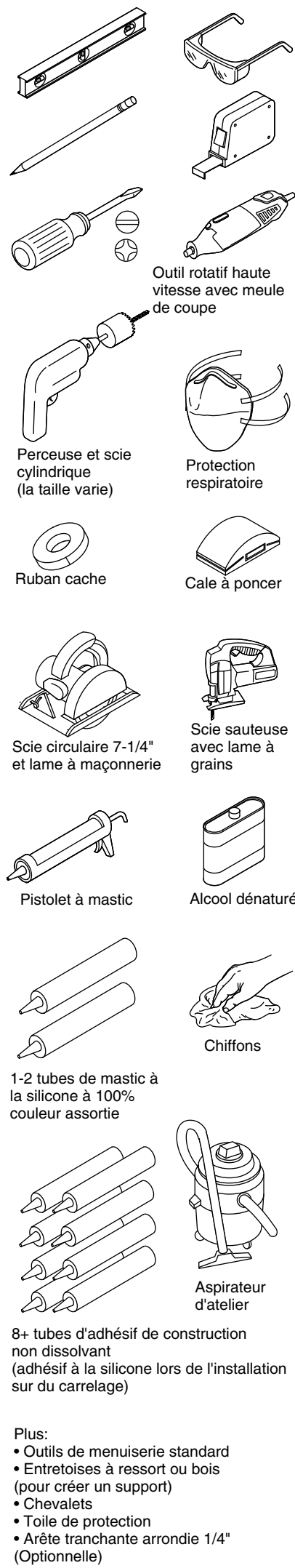
Suivre les instructions relatives à l'adhésif de construction et au mastic à la silicone et à celles concernant l'application et le temps de prise.

Inspecter tous les composants pour y rechercher des dommages éventuels, après les avoir déballés, et avant l'installation.

Une toupilleuse peut être utilisée pour couper les parois. La mèche de la toupilleuse s'émousse rapidement.

Si les panneaux sont installés sur du carrelage déjà présent, frotter le carrelage avec du papier abrasif de grain 100 afin de fournir une meilleure surface pour le contact adhésif.

Outils requis



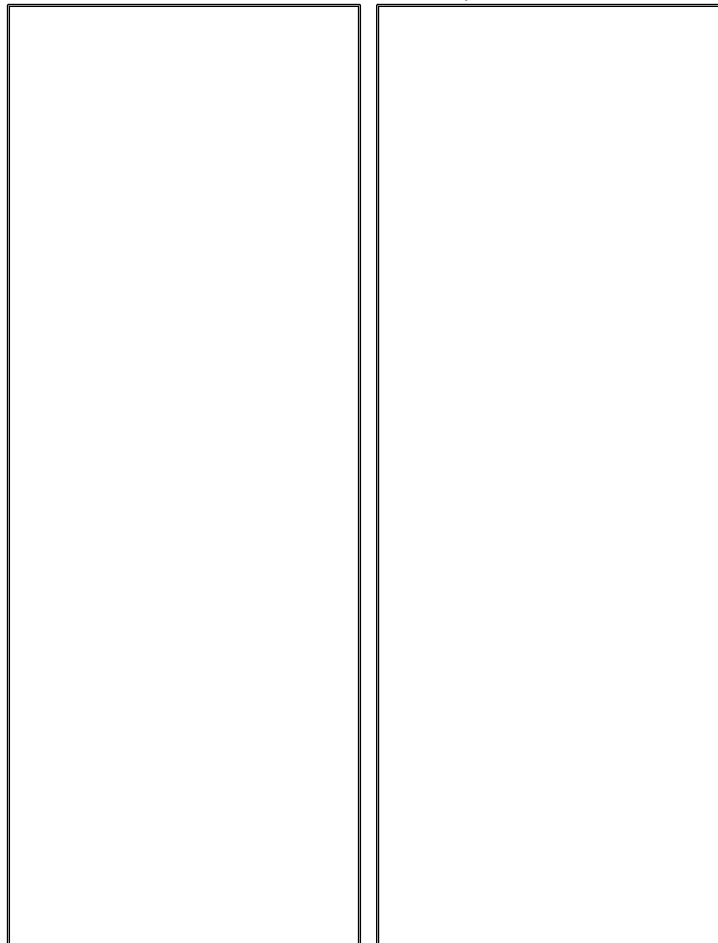
- Plus:
- Outils de menuiserie standard
 - Entretoises à ressort ou bois (pour créer un support)
 - Chevalets
 - Toile de protection
 - Arête tranchante arrondie 1/4" (Optionnelle)

Plan de raccordement

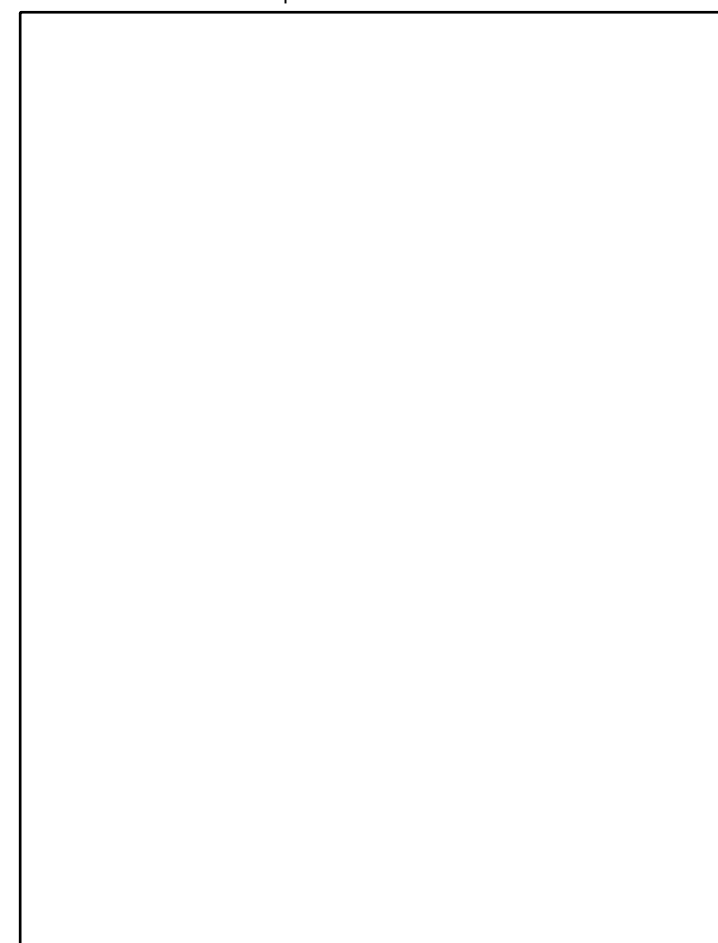
Disposition

Noter la disposition dans la zone ci-dessous. Noter l'emplacement du matériau d'appui, des joints, et des murs d'accent.

Disposition du mur latéral gauche Disposition du mur latéral droit



Disposition du mur arrière

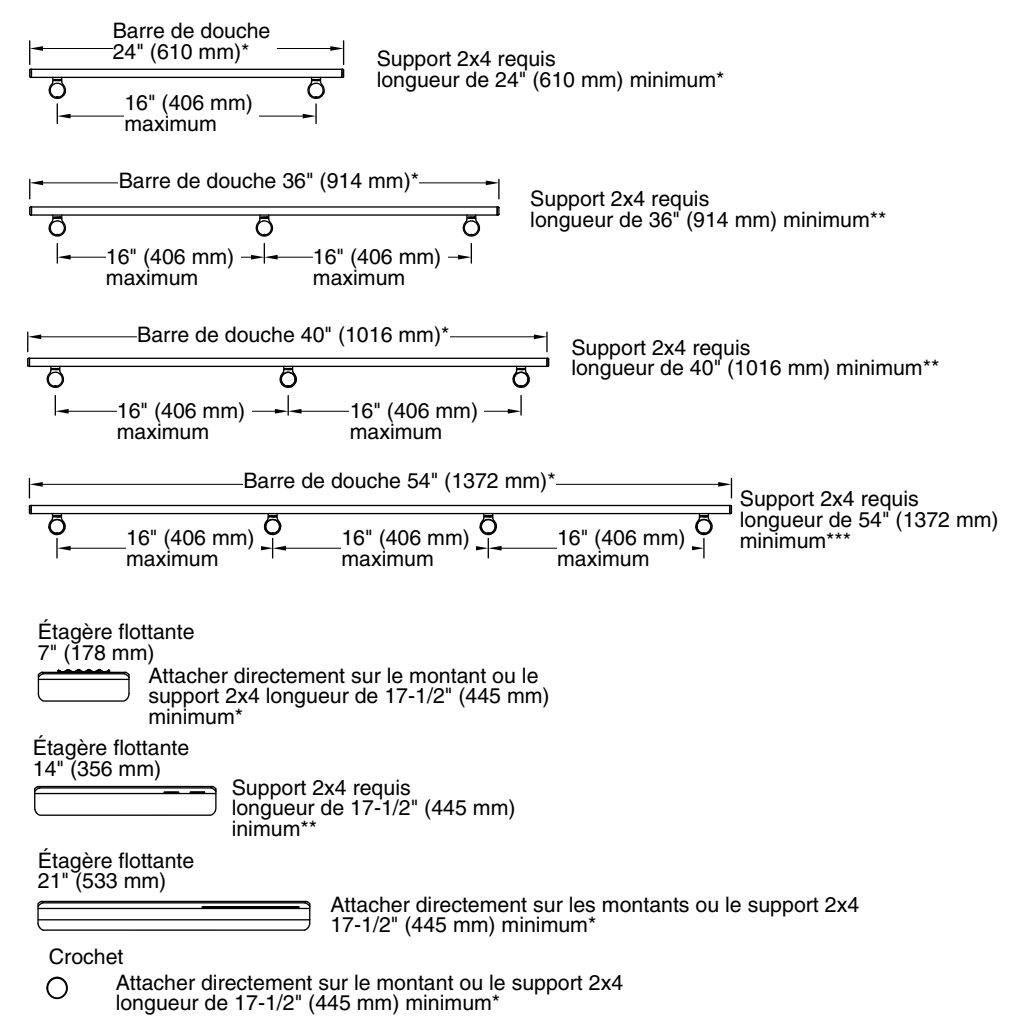


Noter le numéro de modèle sur le carton d'emballage à titre de référence.

N° du modèle: _____

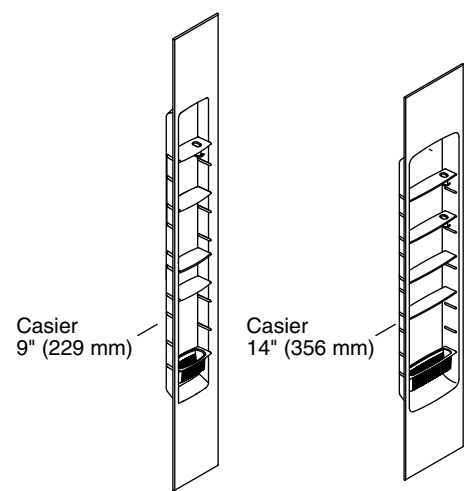
Accessoires

Les accessoires disponibles sont illustrés. Déterminer l'emplacement d'installation avant l'installation du mur. Installer le support de planche d'appui tel qu'indiqué.

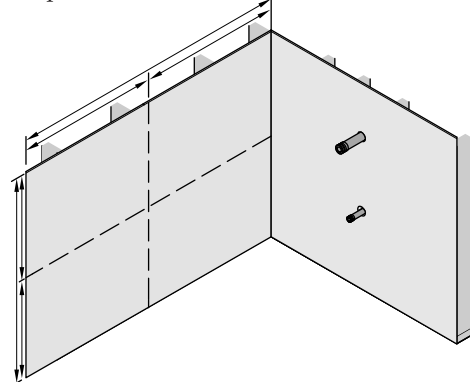


- * La planche d'appui doit s'étendre sur deux montants.
- ** La planche d'appui doit s'étendre sur trois montants.
- *** La planche d'appui doit s'étendre sur quatre montants.

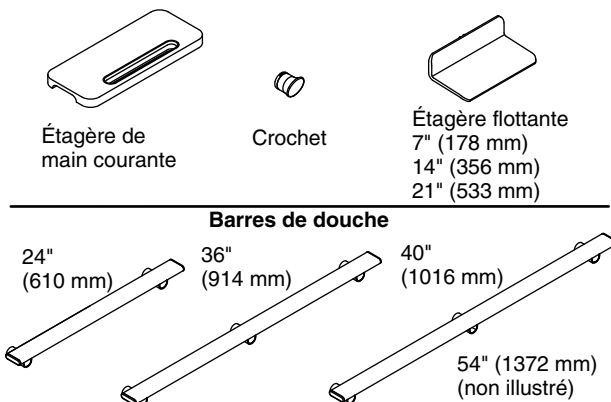
1 IMPORTANT! Si l'on installe une unité de casier de 9" (229 mm) ou 14" (356 mm), suivre les instructions accompagnant cette unité. Ne pas utiliser ce guide d'installation.



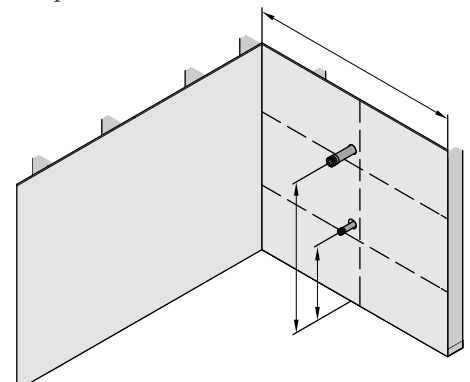
6 Mesure du mur arrière:
Mesurer la surface d'installation pour déterminer les dimensions de découpe pour le(s) panneau(x).
Si des joints de coins sont installés, soustraire 1/16 (2 mm) de chaque largeur de panneau mural pour chaque joint de coin.
Si un ou des joints de jonction sont installés, soustraire 1/16 (2 mm) de la largeur ou de la hauteur du panneau mural pour chaque joint de jonction.
Mettre les lignes de découpe sur l'arrière du ou des panneaux muraux.



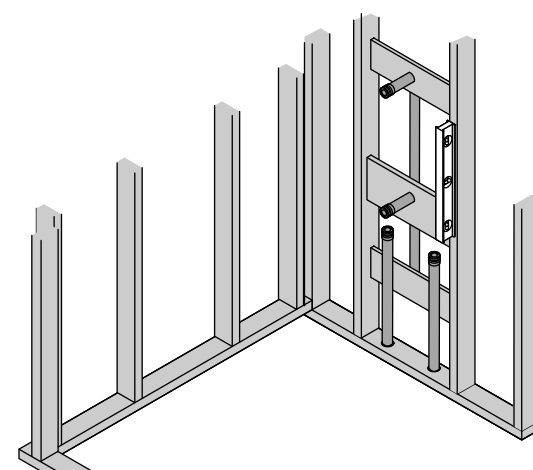
2 REMARQUE: Les mains courantes, les crochets à vêtements et les étagères doivent être supportées à l'arrière par un montant 2x4. Déterminer quels accessoires seront installés.



7 Mesure des murs latéraux:
Si un ou des joints de coins sont installés, soustraire 5/16 (8 mm) de la largeur du panneau mural pour chaque joint de coin.
Si un ou des joints de jonction sont installés, soustraire 1/16 (2 mm) de la largeur ou de la hauteur du panneau mural pour chaque joint de jonction.
Noter l'emplacement sur la poignée, la pomme de douche, le bec de la baignoire, et les autres composants.
Mettre les lignes de découpe sur l'arrière du ou des panneaux muraux.

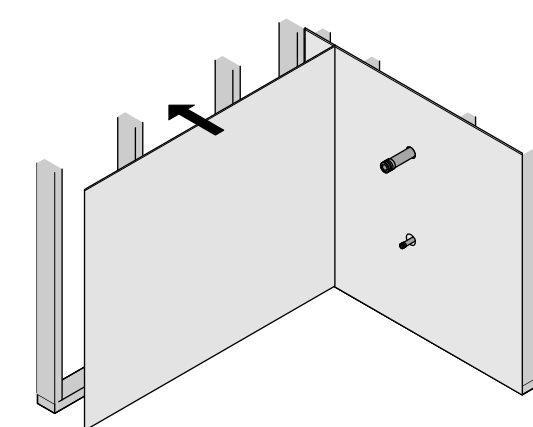


3 Installer la plomberie de raccordement pour les composants de la baignoire et de la douche. Installer un support arrière pour tous les accessoires qui exigent un support supplémentaire en suivant les instructions accompagnant l'accessoire. Noter les emplacements du support arrière sur le diagramme ci-dessus.

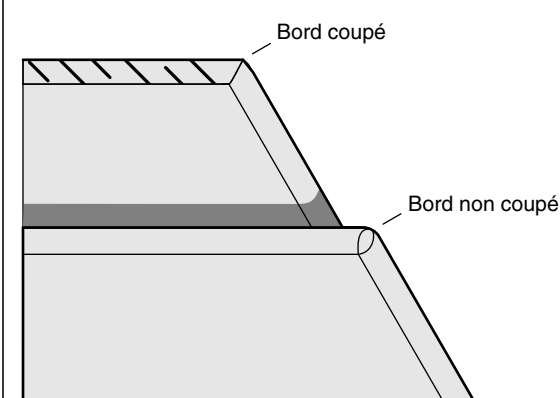


8 Optionnel pour les installations avec panneaux de plafond:
ATTENTION: Risque de blessures. Installer le panneau du plafond et laisser l'adhésif sécher avant d'installer les panneaux muraux.
Si le plafond sera couvert avec le matériau des panneaux, mesurer et couper le panneau du plafond à la taille appropriée.
REMARQUE: Il est recommandé d'utiliser de l'adhésif à base de polyuréthane pour le panneau du plafond.
Construire un renfort ou utiliser un renfort disponible sur le marché pour maintenir le matériau du plafond en place pendant qu'il sèche. Appliquer de l'adhésif de construction sur le matériau du plafond comme sur l'illustration à l'étape 15.
Avec un partenaire, lever avec précaution le panneau du plafond pour le mettre en place. Soutenir le panneau de manière serrée contre le plafond et le laisser sécher en suivant les instructions accompagnant l'adhésif.
REMARQUE: Dans les installations de douches à vapeur, un plafond incliné pourrait entraîner l'écoulement d'une condensation le long des murs.

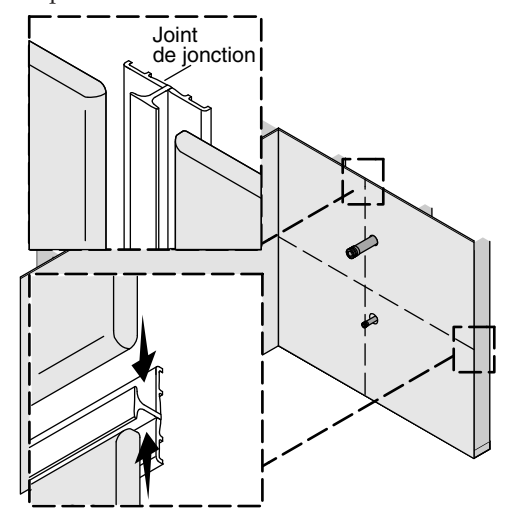
4 IMPORTANT! Il est recommandé d'utiliser du matériau de support de panneau mural hydrofuge. Inspecter les montants pour vérifier qu'ils sont d'aplomb. Les montants doivent être compris dans un rayon de 3/8" (10 mm) de l'aplomb. Utiliser des cales si nécessaire afin d'assurer que les murs sont d'aplomb ou qu'ils sont compris dans un rayon de 3/8" (10 mm) de l'aplomb.



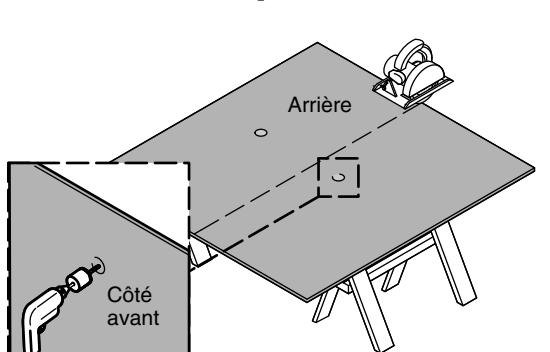
9 IMPORTANT! Pour les installations avec un joint de jonction, le bord coupé du panneau DOIT être positionné sur le côté opposé du joint. Le joint de jonction DOIT s'accoupler à un bord de panneau mural non coupé et biseauté. Si le panneau mural a déjà été coupé, utiliser une évideuse et une arête tranchante arrondie de 1/4" pour restaurer le biseau sur le bord du panneau avant d'installer un joint de jonction vertical ou horizontal.



5 Déterminer si des joints verticaux ou horizontaux seront présents au-delà des emplacements de coins. Commander des joints de jonction optionnels selon les besoins. Déterminer si une garniture de bordure sera installée. Commander une garniture de bordure optionnelle selon les besoins.



10 Positionner le panneau mural arrière tourné vers le bas sur un stand ou des chevalets recouverts d'un matériel de protection.
IMPORTANT! Il est recommandé de couper le panneau à l'aide d'une scie électrique et d'une meule abrasive, ou d'une lame à maçonnerie abrasive.
Couper le panneau aux dimensions requises. Utiliser une scie sauteuse munie d'une lame à grain pour les découpes de contours. Répéter avec tous les panneaux muraux latéraux. À partir du côté avant du panneau, utiliser une scie-cloche pour découper les trous pour les vannes et autres composants de douche.



11 **IMPORTANT!** Il est de première importance que les murs et les panneaux soient propres afin de créer une bonne liaison avec l'adhésif. Nettoyer l'arrière des panneaux avec de l'alcool dénaturé. Sur les bords de chaque panneau, retirer le matériau excessif et lisser les bords rugueux à l'aide d'une cale à poncer. Lorsque les panneaux muraux s'adaptent dans les joints de coins, poncer les bords coupés pour les adapter de façon uniforme.

12 Adapter le coin et les joints de jonction à sec sur le panneau mural arrière s'ils sont installés. (Voir l'étape 14 pour l'orientation correcte.) Adapter les panneaux arrière et latéraux à sec pour vérifier qu'ils sont bien adaptés. Ajuster selon les besoins. Retirer les panneaux muraux et les joints.

13 **Installations utilisant un ou plusieurs joints de coins:** Mesurer la hauteur du panneau mural arrière. Couper le joint de coin à la hauteur du panneau mural arrière. Appliquer un mastic d'étanchéité à la silicone dans le canal profond du joint de coin. Appliquer une quantité de mastic suffisante pour remplir la moitié du canal.

14 **Installations utilisant un ou plusieurs joints de coins:** Installer le canal profond du joint de coin sur le côté du panneau mural arrière. Répéter pour le deuxième joint si nécessaire. **CONSEIL:** Pour éliminer l'excès d'adhésif, vaporiser de l'alcool dénaturé sur la surface à nettoyer et sur le doigt. L'alcool dénaturé doit aider à faciliter l'élimination de l'adhésif.

15 **REMARQUE:** Utiliser du mastic à la silicone si les panneaux sont installés sur du carrelage. Utiliser de l'adhésif de construction pour baignoire et douche pour les autres applications. Appliquer de l'adhésif de construction ou de l'adhésif à la silicone sur le panneau mural arrière dans un motif circulaire. Les boudins de l'adhésif doivent être espacés de 5" (127 mm) à 7" (178 mm).

16 Appliquer un boudin d'adhésif de construction le long du bord supérieur du panneau mural arrière à 3/4" (19 mm) du bord.

17 Amener le panneau du mur arrière en place à un léger angle. Pousser le panneau contre le mur brut. Appuyer fermement et de manière uniforme à travers le mur au complet. Le panneau doit entrer en contact avec le mur brut le long de toute la surface. **CONSEIL:** Lors de l'élimination de l'excès de mastic à la silicone, vaporiser de l'alcool dénaturé sur la surface avec excès de mastic et sur le doigt. Retirer l'excès de mastic avec le doigt.

18 Appuyer fermement sur toutes les surfaces du panneau mural arrière pour assurer une adhésion complète. **REMARQUE:** Il sera peut-être nécessaire de poser des renforts pour maintenir le panneau en place, en fonction du matériau de mur et de l'adhésif utilisés. Lors d'une installation sur du carrelage, utiliser un renfort temporaire pour fixer chaque panneau mural en place pendant 48 heures pour permettre une adhésion complète.

19 Si des joints de coin sont installés, appliquer du mastic d'étanchéité à la silicone de couleur assortie dans le canal peu profond. Appliquer une quantité de mastic suffisante pour remplir la moitié du canal.

20 **REMARQUE:** Utiliser de l'adhésif à la silicone si les panneaux sont installés sur du carrelage. Utiliser de l'adhésif de construction pour baignoire et douche pour les autres applications. Appliquer de l'adhésif de construction pour baignoire et douche sur le panneau mural latéral (panneau inférieur s'il y a deux panneaux) dans un motif circulaire. Les boudins de mastic doivent être espacés de 5" (127 mm) à 7" (178 mm).

21 Appuyer le panneau mural latéral (panneau latéral inférieur s'il y a deux panneaux) sur les joints, puis appuyer fermement le panneau contre le mur brut. **REMARQUE:** Il sera peut-être nécessaire de poser des renforts pour maintenir le panneau en place, en fonction du matériau de mur et de l'adhésif utilisés. Lors d'une installation sur du carrelage, utiliser un renfort temporaire pour fixer chaque panneau mural en place pendant 48 heures pour permettre une adhésion complète.

22 **Installations utilisant un ou plusieurs joints de jonction horizontaux:** Si un joint de jonction sera installé avec un joint de coin, laisser assez de longueur pour permettre au joint de jonction de se prolonger dans le canal du joint de coin. Couper le joint de jonction à la longueur requise.

23 Couper l'extrémité du joint de jonction à l'emplacement où il entre en contact avec le joint de coin, comme sur l'illustration. **REMARQUE:** Pour couper le joint de jonction, il est recommandé d'utiliser un petit outil rotatif avec une meule.

24 **Installations utilisant un ou plusieurs joints de jonction verticaux:** Remplir un canal sur le côté mur du joint de jonction avec du mastic à la silicone de couleur assortie. Installer le joint de jonction sur le panneau mural déjà installé. Appliquer du mastic à la silicone de couleur assortie sur le deuxième canal du joint de jonction lorsque l'ensemble casier est prêt à être installé.

25 **Installations utilisant un ou plusieurs joints de jonction horizontaux:** Remplir un canal avec du mastic à la silicone de couleur assortie sur le joint de jonction et installer le joint de jonction sur le panneau mural installé. Installer les panneaux muraux supplémentaires en suivant les étapes 19 à 26 avec le deuxième côté de l'enceinte.

26 Lors de l'installation de garniture de bordure sur les bords extérieurs du ou des panneaux muraux, mesurer la hauteur du panneau et couper la garniture de bordure pour l'adapter. Appliquer du mastic à la silicone de couleur assortie sur le canal de la garniture du rebord. Installer la garniture du rebord sur le rebord extérieur du ou des panneaux muraux.

27 **IMPORTANT!** Pour mieux réussir l'adhésion, laisser les panneaux sécher pendant 24 à 48 heures avant d'exécuter les étapes finales. Le scellement du haut et du bas restreint le débit d'air et se traduit par un temps de séchage plus long. **IMPORTANT!** Entretoiser les panneaux muraux pendant que l'adhésif sèche pour empêcher les panneaux de se courber vers l'extérieur.

28 Appliquer du mastic sur le joint supérieur à l'emplacement où les panneaux entrent en contact avec le mur brut. Appliquer du mastic sur les joints inférieurs à l'emplacement où les panneaux entrent en contact avec la baignoire ou le receveur de douche. Appliquer du mastic sur tous les bords coupés exposés.

29 Installer tous les accessoires conformément aux instructions qui les accompagnent.

30 Attendre 24 heures avant de prendre une douche ou de faire couler l'eau.

Dépannage	
Symptôme	Action recommandée
1. Un panneau n'adhère pas correctement sur le mur ou le plafond.	<p>A. Un blocage de vapeur pourrait être présent. Tirer sur le panneau pour le retirer du mur afin de permettre à la vapeur de s'échapper et le réappuyer en place.</p> <p>B. L'installation est-elle effectuée par-dessus un carrelage? Le carrelage doit avoir été frotté avec du papier abrasif pour créer une meilleure surface sur laquelle adhérer. Retirer le panneau, frotter le carrelage, appliquer de l'adhésif supplémentaire et réinstaller le panneau.</p> <p>C. Les surfaces des murs et des panneaux étaient-elles propres avant l'application de l'adhésif? Retirer le panneau et nettoyer les surfaces. Appliquer de l'adhésif supplémentaire. Réinstaller le panneau.</p>

Garantie limitée de KOHLER® — Parois et accessoires Choreograph™

Kohler Co. garantit tous les produits Choreograph™ (y compris les accessoires Choreograph™) contre tous défauts de matériau et de fabrication lors d'une utilisation domestique normale sur une période de dix (10) ans à partir de la date de vente. Si un produit ou accessoire Choreograph™ est utilisé à des fins commerciales ou s'il est installé hors des États-Unis d'Amérique, du Canada ou du Mexique, Kohler Co. garantit le produit ou l'accessoire Choreograph™ contre tous défauts de matériau et de fabrication lors d'une utilisation normale sur une période de trois (3) ans à partir de la date de vente.

Si l'inspection par Kohler Co. de votre produit ou accessoire Choreograph™ dévoile un défaut de matériau ou de fabrication au cours de la période de couverture applicable mentionnée ci-dessus, Kohler Co. procédera, à son gré, aux réparations, au remplacement ou à l'ajustement appropriés. Kohler Co. n'est pas responsable des frais de main-d'œuvre, d'installation ou de tout autre frais particulier, accessoire ou indirect. La responsabilité de Kohler Co. ne dépassera en aucun cas le prix d'achat du produit ou de l'accessoire Choreograph™. Les dommages causés par une manipulation incorrecte, une installation erronée ou un entretien non adéquat ne sont pas considérés comme étant des vices de fabrication, et ne sont pas couverts par la présente garantie. Cette garantie est valide pour l'acquéreur d'origine uniquement. Une preuve d'achat (ticket de caisse d'origine) doit être présentée à Kohler Co. avec toutes les réclamations au titre de la garantie.

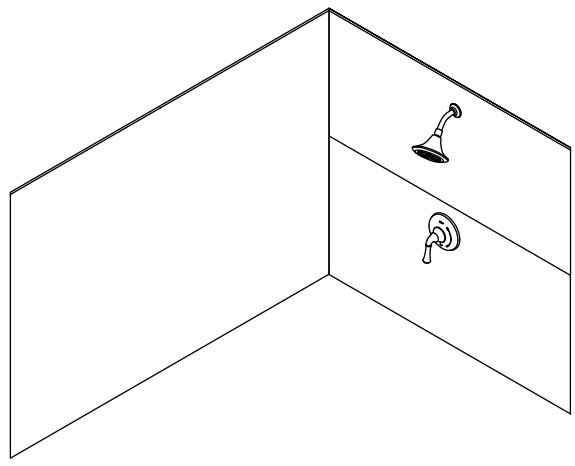
Pour obtenir le service de garantie, s'adresser à Kohler Co., par l'intermédiaire de l'entrepreneur de plomberie, du centre de rénovation, du marchand en gros, du concessionnaire, ou du revendeur par Internet, ou bien par écrit à l'adresse suivante Kohler Co., Attn: Customer Care Center, 444 Highland Drive, Kohler, Wisconsin 53044, 1-800-4KOHLER (1-800-456-4537) à partir des É.-U. et du Canada, et 001-800-456-4537 à partir du Mexique, ou consulter le site www.kohler.com aux É.-U., www.ca.kohler.com au Canada, ou www.mx.kohler.com au Mexique.

DANS LA MESURE PRÉVUE PAR LA LOI, TOUTES LES GARANTIES TACITES, Y COMPRIS CELLES DE COMMERCIALITÉ ET D'ADAPTATION À UN USAGE PARTICULIER, SONT RETENUES PAR LA PRÉSENTE. KOHLER CO. ET LE REVENDEUR DÉCLINENT PAR LES PRÉSENTES TOUTE RESPONSABILITÉ EN CAS DE DOMMAGES PARTICULIERS, ACCESSOIRES OU INDIRECTS. Certains états et provinces ne permettent pas de limite sur la durée de la garantie tacite, ni l'exclusion ou la limite des dommages particuliers, accessoires ou indirects, et, par conséquent, lesdites limites et exclusions peuvent ne pas s'appliquer à votre cas. Cette garantie vous donne des droits juridiques particuliers. Vous pouvez également avoir d'autres droits qui varient d'un état ou d'une province à l'autre. Ceci constitue la garantie écrite exclusive de Kohler Co.

Anote el número de modelo de la caja como referencia.

Número de modelo: _____

1236601-2-D



EE.UU./Canadá: 1-800-4KOHLER
México: 001-800-456-4537
kohler.com

ADVERTENCIA: Riesgo de lesiones graves. Al cortar los paneles murales tome las medidas de seguridad apropiadas, que incluyen el uso de protección al sistema respiratorio.

PRECAUCIÓN: Riesgo de lesiones graves. Siempre utilice anteojos de seguridad al cortar y al taladrar.

PRECAUCIÓN: Riesgo de lesiones. Si el techo, o cielo raso, va a quedar recubierto con el material de la pared, es necesario instalar el techo, o cielo raso, antes de instalar los paneles murales. Deje que pase suficiente tiempo para que la instalación en el techo o cielo raso se cure antes de instalar los paneles murales, ya que de lo contrario el material del techo podría caerse durante la instalación y ocasionar lesiones.

PRECAUCIÓN: Riesgo de daños al producto. Los paneles murales deben estar a temperatura ambiente antes de cortarlos. Permita que la temperatura se establezca si los paneles murales estaban a la intemperie en un ambiente frío.

PRECAUCIÓN: Riesgo de daños al producto. La exposición prolongada a la luz UV daña el acabado en los paneles murales.

¡IMPORTANTE! Se genera polvo al cortar los paneles murales. El corte de los paneles debe hacerse a la intemperie o en un área bien ventilada.

¡IMPORTANTE! Para obtener mejores resultados, corte los paneles murales con una cuchilla para mampostería y con una cuchilla de sierra circular. No use una cuchilla con dientes.

¡IMPORTANTE! Si los paneles murales tienen diseños, acomode los paneles antes de cortarlos y determine la distribución adecuada.

¡IMPORTANTE! Deje este manual para el usuario final.

Lea estas instrucciones antes de instalar o de utilizar este producto.

NOTA: Instale juntas esquineras como detalle estético cuando la pared esté a menos de 3/8" (10 mm) de estar a plomo, o cuando los paneles no estén cortados de manera uniforme.

Las paredes no acabadas actuales deben estar a menos de 3/8" (10 mm) de estar a plomo. Utilice cuñas según sea necesario.

Use sellador de silicona en las juntas que asemeje el color de los paneles lo más posible.

Antes de iniciar la instalación, revise que todas las uniones, las paredes y los accesorios sean del color apropiado.

Para evitar daños, cubra la base de ducha con una lona o con otro material protector.

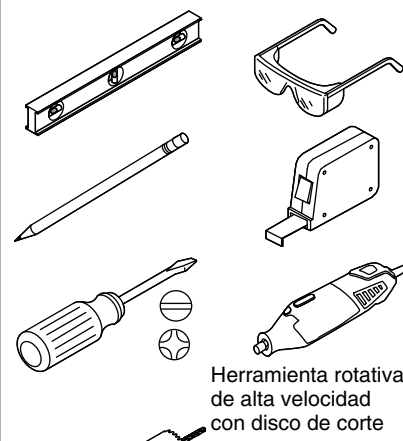
Siga las instrucciones de aplicación y de tiempo de curado del adhesivo de construcción y del sellador de silicona.

Revise todos los componentes después de desempacarlos y antes de instalarlos, para ver si presentan daños.

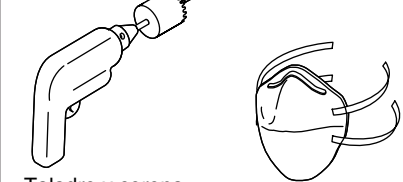
Se puede usar una rebajadora o fresadora para cortar los paneles murales. La broca de la rebajadora o fresadora pierde el filo rápidamente.

Si va a instalar los paneles sobre azulejos, raspe ligeramente los azulejos con papel de lija con grano 100 para que el contacto de la superficie con el adhesivo sea mejor.

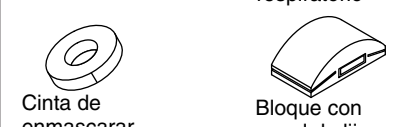
Herramientas requeridas



Herramienta rotativa de alta velocidad con disco de corte



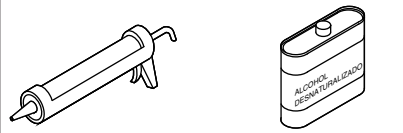
Taladro y corona perforadora (el tamaño varía)
Protección al sistema respiratorio



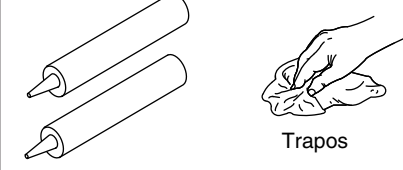
Cinta de enmascarar
Bloque con papel de lija



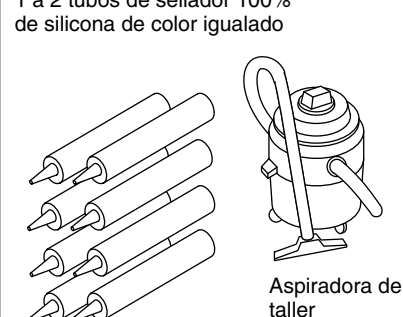
Sierra circular de 7-1/4" y cuchilla para mampostería
Sierra caladora eléctrica con cuchilla con borde abrasivo



Pistola para aplicar sellador
Alcohol desnaturalizado



1 a 2 tubos de sellador 100% de silicona de color igualado
Trapos



Más de 8 tubos de adhesivo de construcción no derivado de solventes (adhesivo de silicona si se instala sobre azulejo)
Aspiradora de taller

Más:
• Herramientas normales para trabajo en madera
• Refuerzos cargados a resorte o maderos (para crear el refuerzo)
• Caballetes
• Lona
• Broca de redondeo de 1/4" de rebajadora o fresadora (opcional)

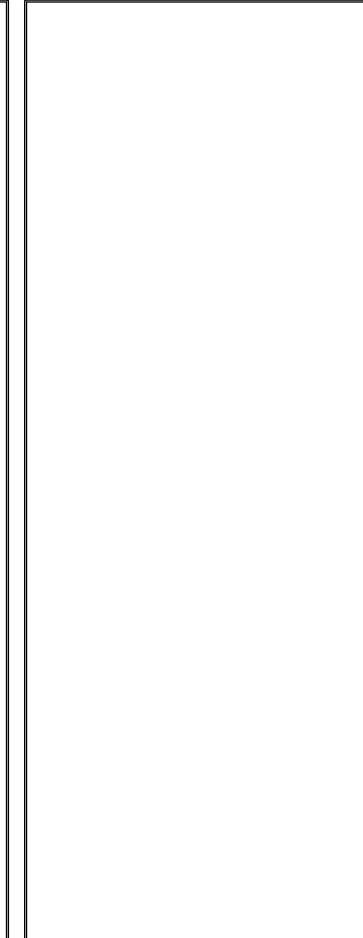
Diagrama de instalación

Distribución
Registre su distribución en la siguiente área. Anote el lugar del material de refuerzo, uniones y paneles de acento.

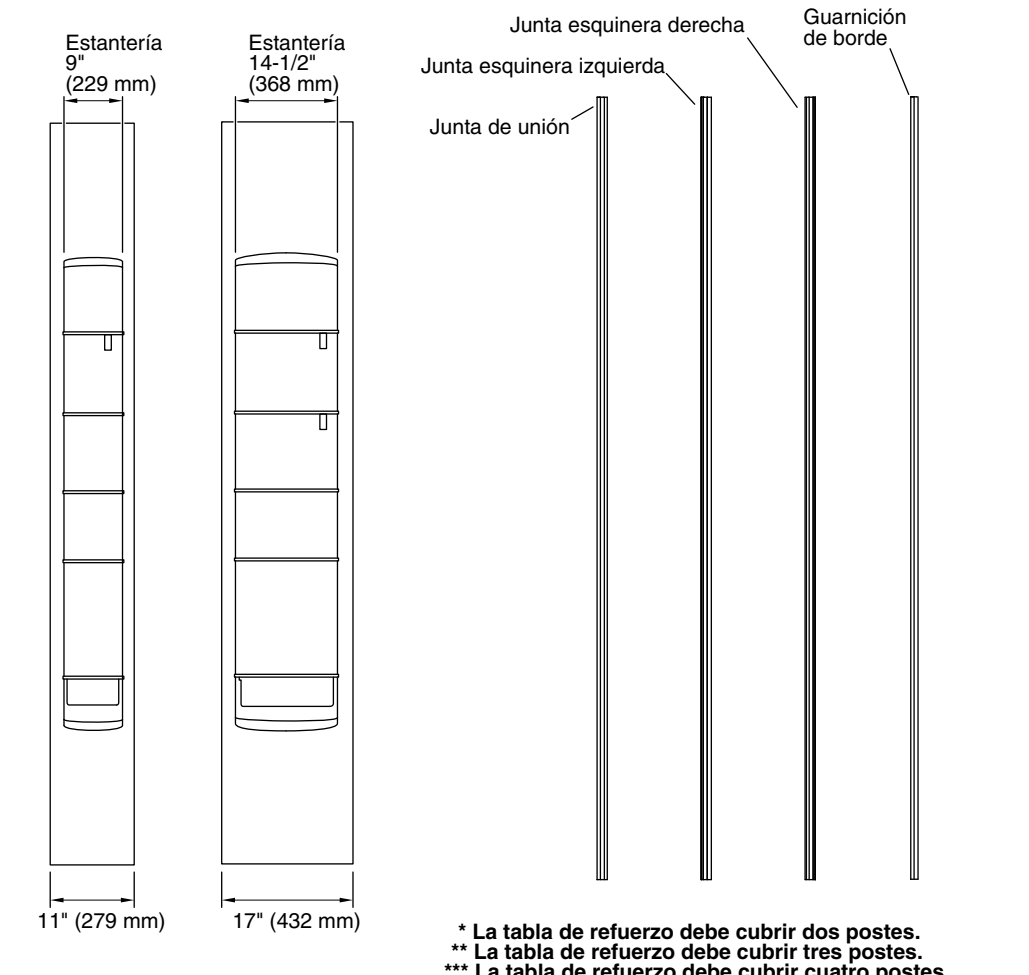
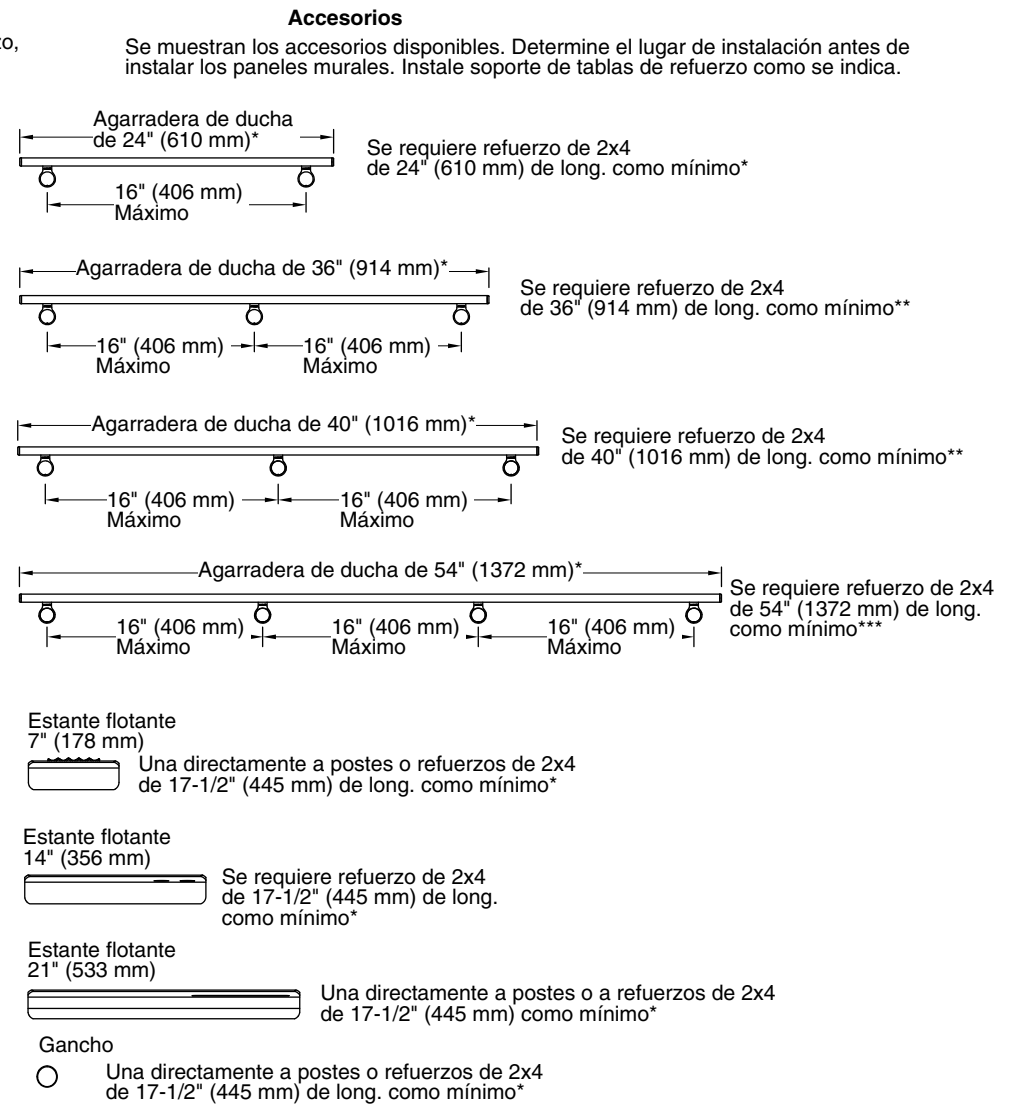
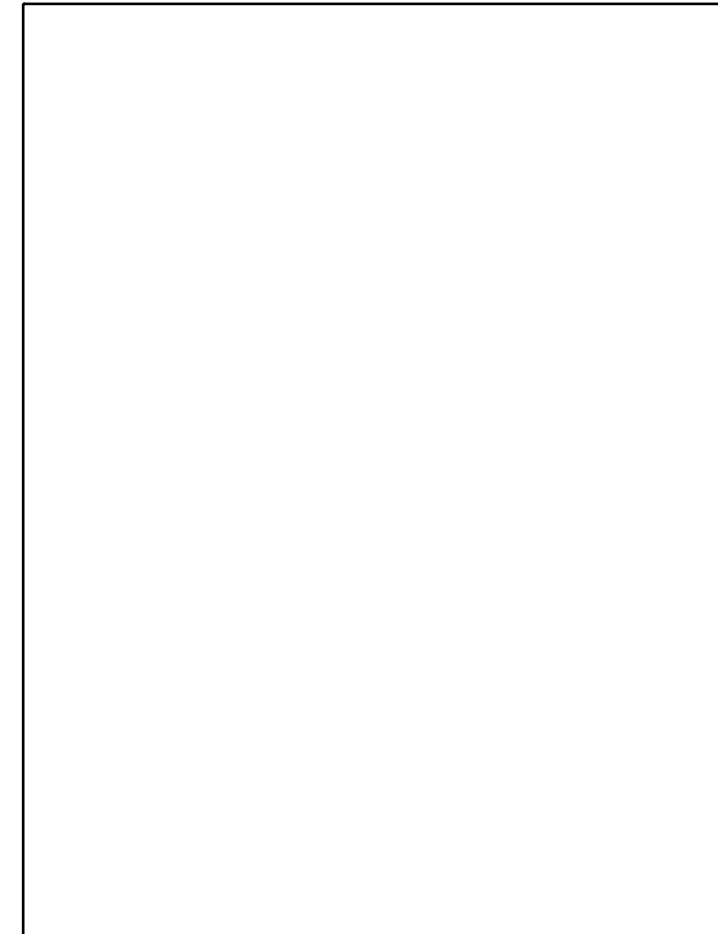
Distribución del panel mural lateral izquierdo



Distribución del panel mural lateral derecho



Distribución del panel mural posterior



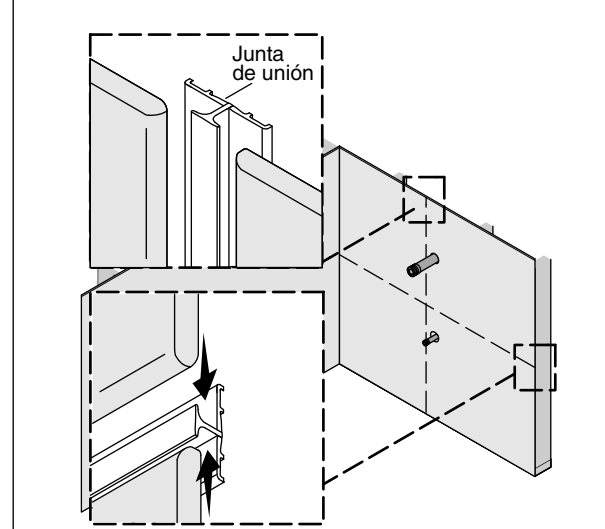
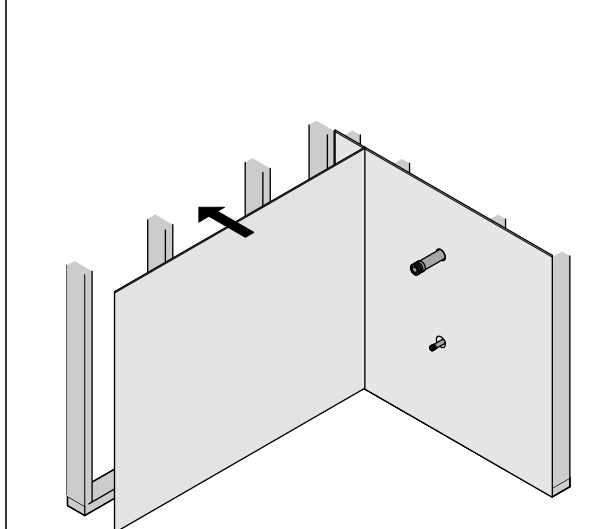
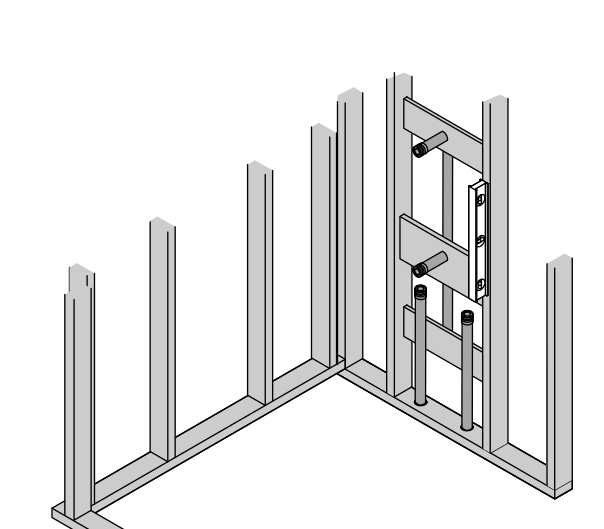
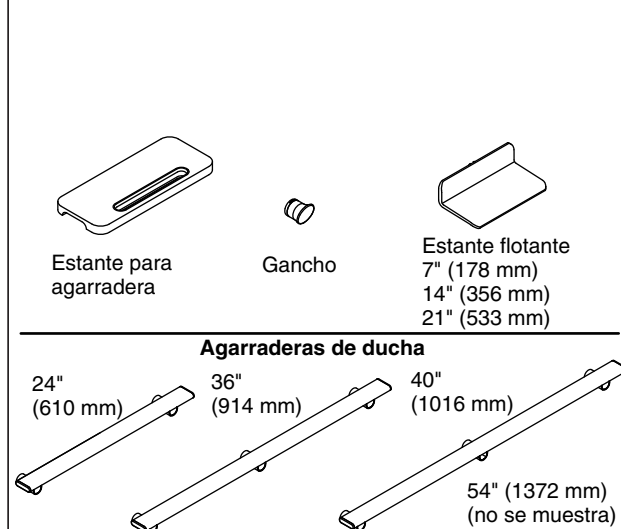
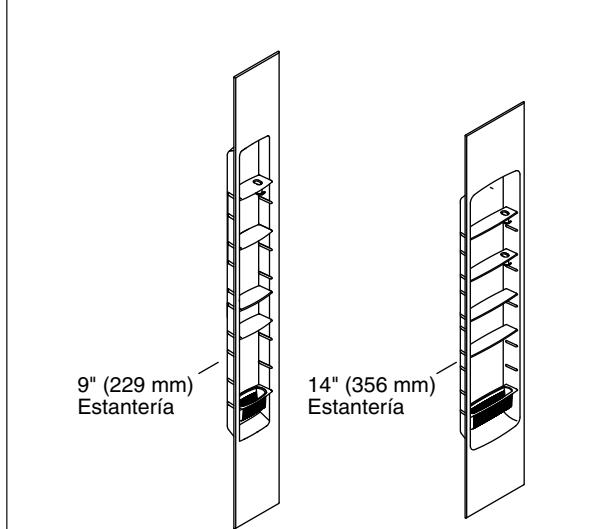
1 **¡IMPORTANTE!** Si va a instalar una unidad de estantería de 9" (229 mm) o de 14" (356 mm), siga las instrucciones que se incluyen con la unidad de estantería. No utilice esta guía de instalación.

2 **NOTA:** Las agarraderas, el gancho para bata, y los estantes requieren soporte de refuerzo de maderos de 2x4. Determine qué accesorios es necesario instalar.

3 Instale el tendido de plomería para los componentes de la bañera y de la ducha. Instale soportes de refuerzo de maderos para todos los accesorios que requieran refuerzo adicional, de acuerdo a las instrucciones que se incluyen con el accesorio. Registre los lugares de los refuerzos en el diagrama anterior.

4 **¡IMPORTANTE!** Recomendamos material de refuerzo de panel de yeso resistente al agua. Verifique que los postes de madera estén a plomo. Los postes de madera deben estar a menos de 3/8" (10 mm) de estar a plomo. De ser necesario use cuñas para asegurar que todas las paredes estén a plomo o a menos de 3/8" (10 mm) de estar a plomo.

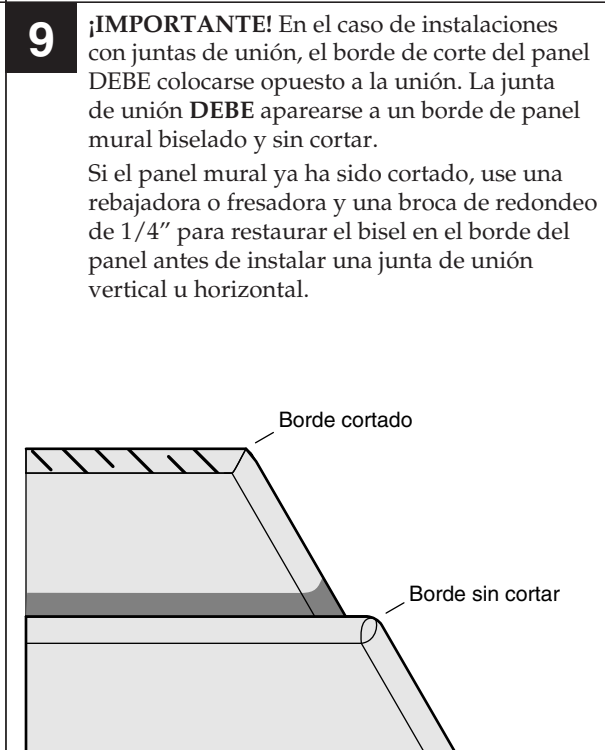
5 Determine si habrá uniones verticales u horizontales más allá de las esquinas. Haga un pedido de las juntas de unión opcionales que vaya a necesitar. Determine si se va a instalar guarnición de borde. Haga un pedido de la guarnición de borde opcional que vaya a necesitar.



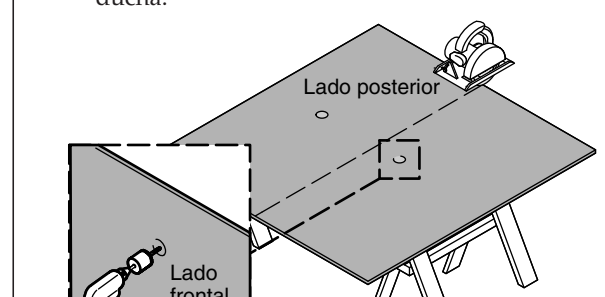
6 **Medición del panel mural posterior:** Mida el área de instalación para determinar las dimensiones de corte de los paneles. Si se van a instalar juntas esquineras, reste 1/16" (2 mm) del ancho del panel mural en cada junta esquinera. Si se van a instalar juntas de unión, reste 1/16" (2 mm) del ancho o de la altura del panel mural en cada junta de unión. Marque las líneas de corte en el lado posterior de los paneles murales.

7 **Medición de paneles murales laterales:** Si se van a instalar juntas esquineras, reste 5/16" (8 mm) del ancho del panel mural en cada junta esquinera. Si se van a instalar juntas de unión, reste 1/16" (2 mm) del ancho o de la altura del panel mural en cada junta de unión. Anote el lugar para la manija, la cabeza de ducha, el surtidor de la bañera y otros componentes. Marque las líneas de corte en el lado posterior de los paneles murales.

8 **Opcional para instalaciones con paneles de techo:**
PRECAUCIÓN: Riesgo de lesiones. Instale el panel de techo y permite que se cure el adhesivo antes de instalar los paneles murales. Si se va a cubrir el techo con material de panel, mida y corte el panel de techo al tamaño adecuado.
NOTA: Recomendamos usar adhesivo derivado del poliuretano para el panel de techo. Construya una estructura de refuerzo, o use estructuras de refuerzo comerciales, para sostener el material del techo o cielo raso en su lugar mientras se cura el adhesivo. Aplique adhesivo de construcción al material del techo como se indica en el paso 15. Con alguien que le ayude, levante con cuidado el panel de techo hasta su lugar. Sujete el panel a presión contra el techo, y deje que se cure el adhesivo de acuerdo a las instrucciones del mismo.
NOTA: En instalaciones de ducha con vapor, el techo a dos aguas puede causar que la condensación fluya por las paredes.



10 Coloque el panel mural posterior de cara hacia abajo sobre un atril o caballetes cubiertos con material protector. **¡IMPORTANTE!** Recomendamos cortar el panel con una sierra mecánica y una rueda abrasiva o una cuchilla abrasiva para mampostería. Corte el panel a las dimensiones requeridas. Use una sierra caladora eléctrica, con cuchilla con borde abrasivo, para los cortes de contorno. Repita este procedimiento con los paneles murales laterales. Desde el lado delantero del panel, use una broca tipo corona perforadora para cortar los orificios para las válvulas y otros componentes de la ducha.



11 ¡IMPORTANTE! Es crítico que las paredes y los paneles estén limpios para que el adhesivo forme un fuerte enlace. Limpie la parte posterior de los paneles con alcohol desnaturalizado. En los bordes de cada panel, retire el exceso de material y alise los bordes ásperos con un bloque con papel de lija. Cuando los paneles murales se ajusten a juntas esquineras, lije los bordes cortados para que el ajuste sea fino.

12 Coloque preliminarmente las juntas esquineras y las juntas de unión en el panel mural posterior, si las va a instalar. (Consulte la orientación correcta en el paso 14.) Coloque preliminarmente los paneles posterior y laterales para confirmar que queden bien. Haga los ajustes necesarios. Retire los paneles murales y las juntas.

13 **Instalaciones con juntas esquineras:** Mida la altura del panel mural posterior. Corte la junta esquinera a la altura del panel mural posterior. Aplique sellador de silicona del mismo color en el canal profundo en la junta esquinera. Aplique suficiente sellador para llenar la mitad del canal.

14 **Instalaciones con juntas esquineras:** Instale el canal profundo de la junta esquinera en el lado del panel mural posterior. Repita con la segunda junta, si es necesario. **CONSEJO:** Para quitar el exceso de adhesivo, rocíe alcohol desnaturalizado en el área a ser limpiada y en su dedo. El alcohol desnaturalizado ayuda a quitar el adhesivo con mayor facilidad.

15 **NOTA:** Use sellador de silicona si los paneles están siendo instalados sobre azulejo. Use adhesivo de construcción para bañeras y duchas en otras aplicaciones. Aplique adhesivo de construcción o adhesivo de silicona al panel mural posterior en un patrón circular. Los hilos continuos de adhesivo deben estar separados de 5" (127 mm) a 7" (178 mm) entre sí.

16 Aplique un hilo continuo de adhesivo de construcción a lo largo del borde superior del panel mural posterior a 3/4" (19 mm) del borde.

17 Mueva el panel mural posterior a su lugar a un ligero ángulo. Oprima el panel contra la pared sin acabado. Oprima con firmeza y de manera uniforme en todo el panel. El panel debe hacer contacto con la pared sin acabado en toda el área. **CONSEJO:** Al quitar el exceso de sellador de silicona, rocíe alcohol desnaturalizado al área con exceso de sellador y a su dedo. Retire el exceso de sellador con el dedo.

18 Empuje con firmeza en todas las superficies del panel mural posterior para que la adhesión sea total. **NOTA:** Es posible que se requieran refuerzos para sostener el panel, de acuerdo al material de la pared y al adhesivo que se esté usando. Cuando instale sobre azulejo, use un refuerzo temporal para fijar cada panel mural en su lugar durante 48 horas, y que así la adhesión sea total.

19 Si se instalan juntas esquineras, aplique sellador de silicona del mismo color en el canal poco profundo. Aplique suficiente sellador para llenar la mitad del canal.

20 **NOTA:** Use adhesivo de silicona si los paneles están siendo instalados sobre azulejo. Use adhesivo de construcción para bañeras y duchas en otras aplicaciones. Aplique adhesivo de construcción para bañeras y duchas al panel mural lateral (o al panel inferior si hay dos paneles) en un patrón circular. Los hilos continuos de sellador deben estar separados de 5" (127 mm) a 7" (178 mm) entre sí.

21 Oprima el panel mural lateral (panel inferior si hay dos paneles) a las juntas, y luego empuje el panel con firmeza contra la pared sin acabar. **NOTA:** Es posible que se requieran refuerzos para sostener el panel, de acuerdo al material de la pared y al adhesivo que se esté usando. Cuando instale sobre azulejo, use un refuerzo temporal para fijar cada panel mural en su lugar durante 48 horas, y que así la adhesión sea total.

22 **Instalaciones con juntas de unión horizontales:** Si se va a instalar una junta de unión con una junta esquinera, deje suficiente longitud para que la junta de unión llegue hasta el canal de la junta esquinera. Corte la junta de unión a la longitud requerida.

23 Recorte el extremo de la junta de unión en el punto donde se encuentra con la junta esquinera, como se muestra. **NOTA:** Para recortar la junta de unión, recomendamos usar una pequeña herramienta rotativa con una rueda de corte.

24 **Instalaciones con juntas de unión verticales:** Llene un canal en el lado de la pared de la junta de unión con sellador de silicona del mismo color. Instale la junta de unión en el panel mural ya instalado. Aplique sellador de silicona del mismo color al segundo canal de la junta de unión cuando usted esté listo para instalar la unidad de estantería.

25 **Instalaciones con juntas de unión horizontales:** Llene un canal con sellador de silicona del mismo color en la junta de unión, e instale la junta de unión en el panel mural instalado. Siga los mismos pasos para instalar paneles murales adicionales. **Repita los pasos del 19 al 26 en el segundo lado del recinto**

26 Si va a instalar guarnición de borde en el borde exterior de los paneles murales, mida la altura de los paneles y corte la guarnición del borde a que ajuste. Aplique sellador de silicona del mismo color al canal de la guarnición de borde. Instale la guarnición de borde al borde exterior de los paneles murales.

27 **IMPORTANTE:** Para obtener mejor adhesión, permita que los paneles se curen de 24 a 48 horas antes de realizar los últimos pasos. Al sellar la parte superior e inferior se restringe el flujo de aire, lo que requiere mayor tiempo de curado. **¡IMPORTANTE!** Refuerce los paneles murales mientras se cura el adhesivo para evitar que los paneles se pandeen hacia fuera.

28 Aplique sellador a la unión superior donde los paneles se unen a la pared sin acabar. Aplique sellador a las uniones inferiores en el punto donde los paneles se unen a la bañera o a la base de la ducha. Aplique sellador a todos los bordes expuestos.

29 Instale todos los accesorios de acuerdo a las instrucciones incluidas con ellos.

30 Espere 24 horas antes de tomar una ducha o de dejar correr agua.

Resolución de problemas

Síntoma	Acción recomendada
1. Un panel no se está adhiriendo correctamente a la pared o al techo o cielo raso.	A. Es posible que haya vapor bloqueado. Separe el panel de la pared para permitir que escape el vapor y vuelva a oprimirlo a su lugar. B. ¿Está hecha la instalación sobre azulejos? Los azulejos deben haber sido raspados con papel de lija para producir una superficie en la que el adhesivo se pudiera adherir mejor. Retire el panel, raspe los azulejos, aplique adhesivo adicional y vuelva a instalar el panel. C. ¿Fueron limpiadas las superficies de paredes y de paneles antes de aplicar el adhesivo? Retire el panel y limpie las superficies. Aplique adhesivo adicional. Vuelva a instalar el panel.

Garantía limitada de KOHLER® — Paredes y accesorios Choreograph™

Kohler Co. garantiza todos los productos Choreograph™ (y los accesorios Choreograph™) contra defectos de materiales y de mano de obra en uso residencial normal durante diez (10) años a partir de la fecha de venta. Si un producto o accesorio Choreograph™ se usa comercialmente o si se instala fuera de los Estados Unidos de América, Canadá o México, Kohler Co. garantiza el producto o el accesorio Choreograph™ contra defectos de materiales y de mano de obra en uso normal durante tres (3) años a partir de la fecha de venta.

Si la inspección realizada por Kohler Co. de su producto o accesorio Choreograph™ demuestra un defecto de materiales o de mano de obra dentro del periodo aplicable de cobertura especificado arriba, Kohler Co. a su criterio, reparará, reemplazará o hará los ajustes pertinentes. Kohler Co. no se hace responsable de costos de mano de obra, instalación u otros costos incidentales o indirectos. En ningún caso deberá la responsabilidad de Kohler Co. exceder el precio de compra del producto o del accesorio Choreograph™. Los daños debidos a errores de manejo, instalación o mantenimiento inadecuado no se consideran defectos de fabricación, y no están cubiertos por esta garantía. Esta garantía es válida únicamente para el comprador consumidor original. Al presentar las reclamaciones de garantía a Kohler Co., es necesario incluir el comprobante de compra (recibo de venta original).

Para obtener servicio de garantía comuníquese con Kohler Co. a través de su contratista de plomería, centro de remodelación, mayorista, distribuidor, distribuidor por Internet, o llame o escriba a Kohler Co., Atención: Customer Care Center, 444 Highland Drive, Kohler, Wisconsin 53044, EE.UU., 1-800-4-KOHLER (1-800-456-4537) desde los EE.UU. y Canadá, y al 001-800-456-4537 desde México, o visite www.kohler.com desde los EE.UU., www.ca.kohler.com desde Canadá, o www.mx.kohler.com en México.

EN LA MEDIDA QUE LA LEY LO PERMITA, POR MEDIO DE LA PRESENTE SE DESCARGA RESPONSABILIDAD DE TODA GARANTÍA IMPLÍCITA, INCLUIDA LA DE COMERCIALIZACIÓN E IDONEIDAD PARA UN USO DETERMINADO. KOHLER CO. Y EL VENDEDOR, POR MEDIO DE LA PRESENTE, DESCARGAN TODA RESPONSABILIDAD POR CONCEPTO DE DAÑOS PARTICULARES, INCIDENTALES O INDIRECTOS. Algunos estados/provincias no permiten limitaciones en cuanto a la duración de una garantía implícita o a la exclusión o limitación de daños particulares, incidentales o indirectos, por lo que es posible que estas limitaciones y exclusiones no se apliquen a su caso. Esta garantía le otorga ciertos derechos legales específicos. Además, usted puede tener otros derechos que varían de estado a estado y provincia a provincia. Esta es la garantía exclusiva por escrito de Kohler Co.