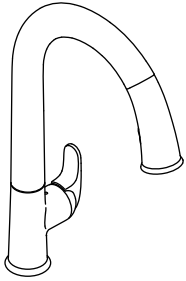


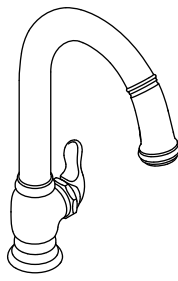
Installation and Care Guide

Electronic Kitchen Faucet

K-72218



K-99332

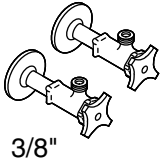


M product numbers are for Mexico (i.e. K-12345**M**)
Los números de productos seguidos de
M corresponden a México (Ej.
K-12345**M**)
Français, page "Français-1"
Español, página "Español-1"

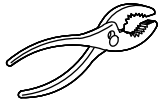
THE BOLD LOOK
OF **KOHLER**®

1276182-2-A

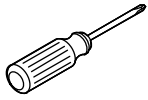
Tools and Materials



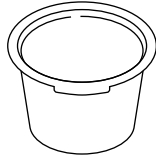
3/8"



Rags



Phillips Screwdriver



Bucket

Plus:

- Unswitched Electrical Outlet

Before You Begin



WARNING: Risk of fresh water contamination. This faucet contains back-siphonage protection. Do not remove any internal components.



WARNING: When using electrical products, basic precautions should always be followed, including the following:



DANGER: Risk of electric shock. Connect only to a circuit protected by a Ground-Fault Circuit-Interrupter (GFCI)*.



WARNING: Risk of electric shock. Grounding is required. A licensed electrician should make all electrical connections.



WARNING: Risk of electric shock. Disconnect power before servicing.



WARNING: Risk of injury or property damage. Please read all instructions thoroughly before beginning installation.



CAUTION: Risk of property damage. The faucet spout contains a magnet. Do not allow items susceptible to electromagnetic damage to come into close proximity to the spout.

Follow all plumbing, electrical, and building codes.

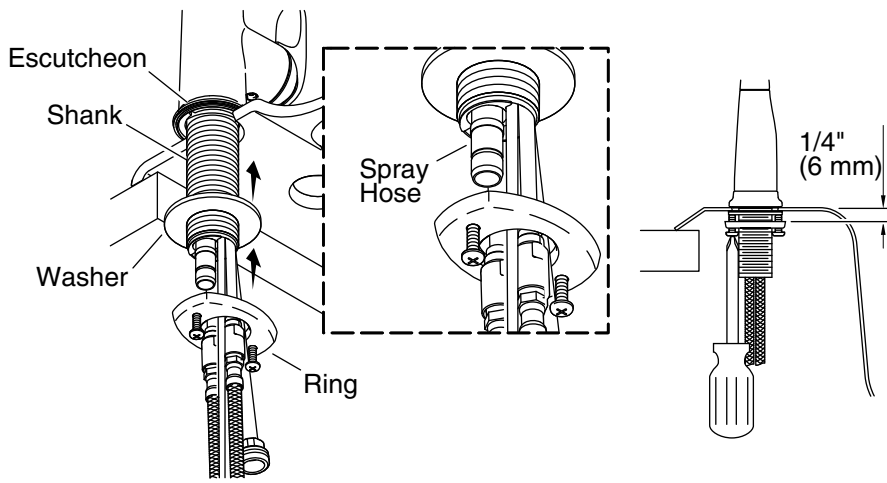
*Outside North America, this device may be known as a Residual Current Device (RCD).

Before You Begin (cont.)

CAUTION: Risk of product damage. This product contains sensitive electronic components. Do not store open containers of chemical or cleaning products near this product. Cleaning rags or sponges must be rinsed with fresh water before storage.

IMPORTANT! Do not use a switch-controlled outlet (typically used for garbage disposals) to provide power to the faucet.

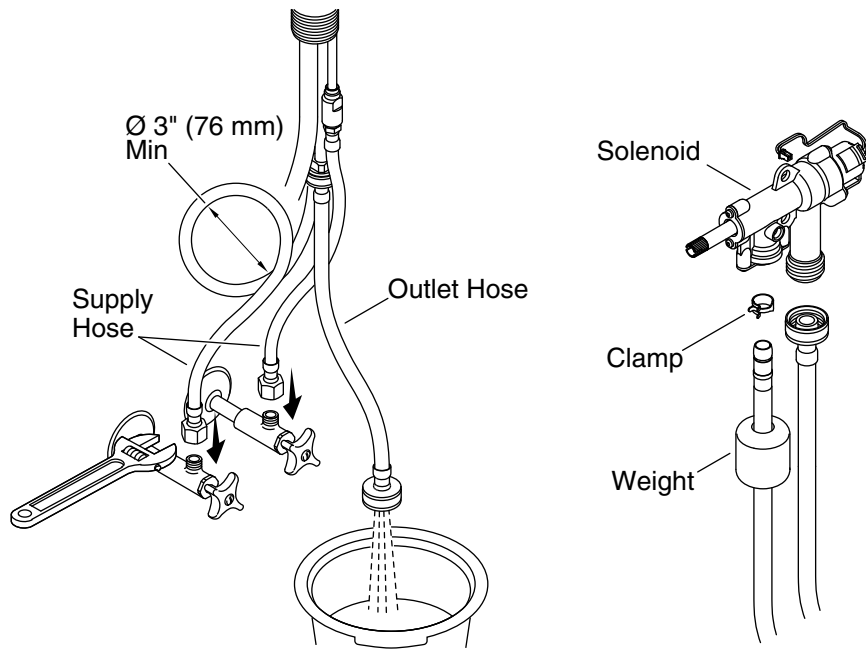
- Class 1 laser product: Complies with 21 CFR 1040.10 and 1040.11.
- Observe all local plumbing and building codes.
- Provide a constant **unswitched** 120 VAC electrical outlet located below the sink within 5' (1.5 m) of the control box.
- Turn off the water supply.
- For new installations, assemble the faucet to the sink before installing the sink.
- For uneven mounting surfaces (such as tile grout lines), apply a suitable sealant under the faucet. **Do not use petroleum-based sealant.**



1. Install the Faucet

NOTE: Handle orientation is designed to be on the right.

- Thread the screws into the ring 1/4" (6 mm) past the surface.
- Insert the faucet through the mounting surface with the handle on the right.
- Pull the sprayhead out and rest it in the sink basin. Do not pull the end of the spray hose into the shank.
- From under the sink, push the spray hose up to the shank.
- Slide the washer over the hoses and wires, then up onto the shank.
- Slide the ring over the hoses and wires, then up to the shank.
- Thread the ring onto the shank until the washer contacts the underside of the sink.
- Adjust the ring to align the screws with the front and back of the faucet.
- Use a Phillips screwdriver to securely tighten the screws.
- Pull the spray hose end down, away from the shank.
- Slide the sprayhead back into the spout.



2. Connect the Supplies

CAUTION: Risk of restricted water flow and product damage.
Supply hoses must not be taut, kinked, or twisted during installation. If the supply hoses must be coiled, maintain an inside diameter of 3" (76 mm).

Connect the Supplies

- Assemble the outlet hose to the faucet.
- Connect and tighten the supply hoses to the supply stops.
- Place a bucket under the outlet hose.
- Turn on the water supplies.
- Flush hot and cold water into a bucket for 1 minute to remove any debris.
- Connect the outlet hose to the solenoid inlet.

Connect the Spray Hose

- Remove the protective cap.

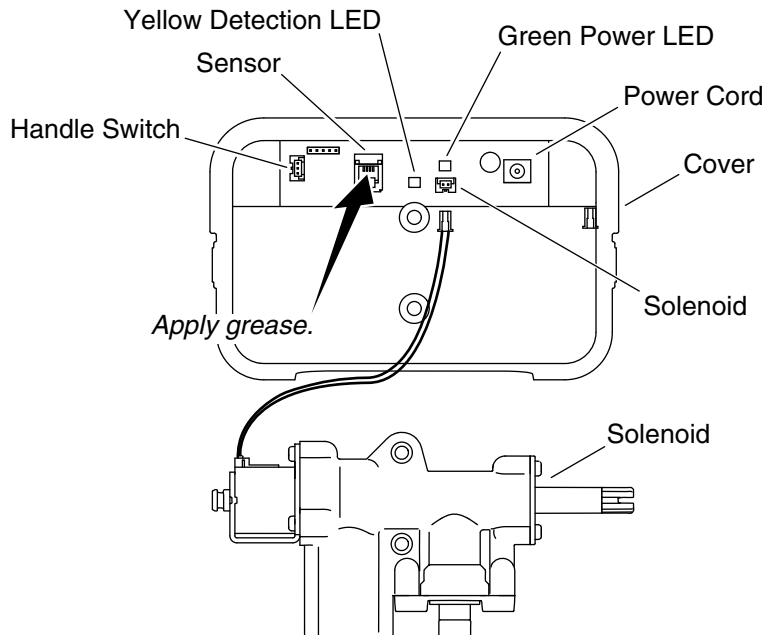
Connect the Supplies (cont.)

NOTE: The weight must be installed onto the spray hose to act as a pull stop and to prevent kinking damage.

- Slide the weight, then the clamp onto the spray hose.

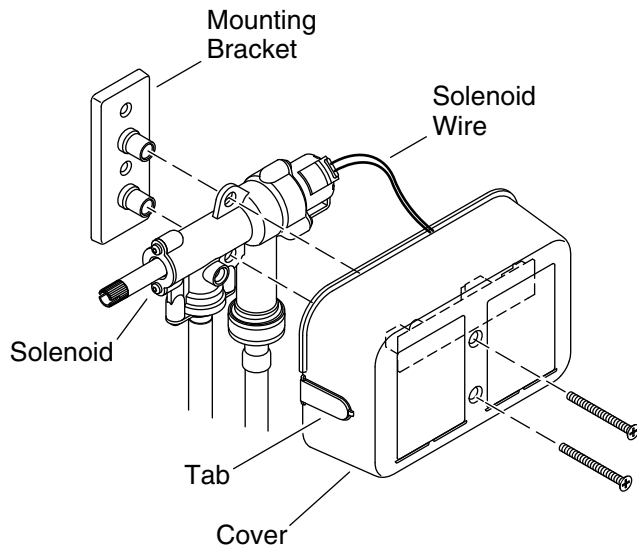
NOTE: Use a pliers to expand the clamp over the hose end.

- Attach the spray hose to the outlet fitting on the solenoid. Ensure the hose is completely engaged into the fitting.



3. Connect the Wires

- Apply grease (provided) to the sensor socket located on the circuit board inside the cover. This will provide additional corrosion protection.
- Connect the handle switch and sensor wires from the faucet to the circuit board.
- Connect the power cord to the circuit board.
- Connect the solenoid wire to the circuit board.
- Plug the power cord into an unswitched 120 VAC outlet. The green LED on the circuit board will illuminate.
- Test activation of the sensor. Refer to the "Faucet Operation" section.



4. Install the Solenoid



CAUTION: Risk of restricted waterflow. The outlet hose must not be taut or kinked when installed. Locate the solenoid valve within 7" (178 mm) to 8" (203 mm) of the faucet centerline.

NOTE: Locate the solenoid valve within 7" (178 mm) to 8" (203 mm) from the faucet centerline. Allow adequate clearance for servicing.

Mount the Bracket

NOTE: The mounting bracket should be secured with two suitable fasteners (not supplied) based on the type and thickness of the cabinet or wall material.

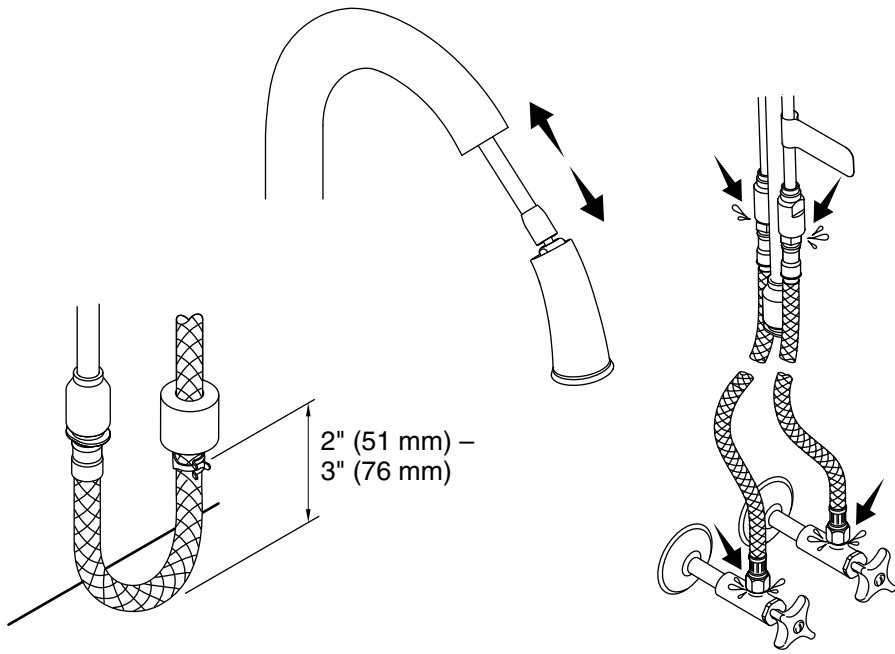
- Fasten the mounting bracket vertically to the cabinet or wall.

Mount the Solenoid and Cover

NOTE: The solenoid may be positioned to the right or left. Remove the appropriate tab on the cover.

Install the Solenoid (cont.)

- Position the solenoid and cover on the mounting bracket.
- Secure the solenoid and cover to the mounting bracket with the two screws provided.



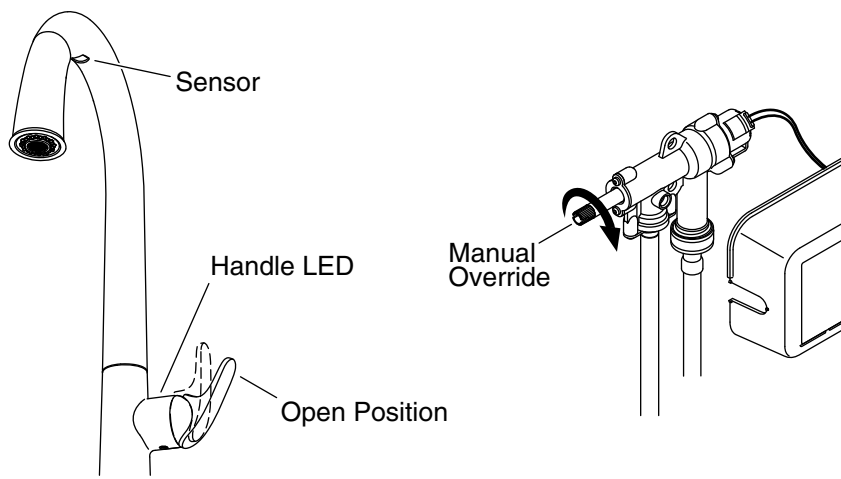
5. Complete the Installation

Position the Weight

- Position the weight between 2" (51 mm) and 3" (76 mm) from the cabinet floor.
- Secure the clamp around the spray hose just below the weight.
- Extend and retract the spray hose to check for smooth operation.

Check for Leaks

- Ensure all connections are tight.
- Turn on the water supplies, and check all connections for leaks.
- Test the faucet for proper operation. Refer to the "Faucet Operation" section.



Faucet Operation

- Rotate the handle outward to the open position to start water flow. The handle LED will illuminate to indicate that the sensor is functioning.
- Adjust the handle to the desired water temperature.
- Wave your hand under the spout to turn the water OFF.

NOTE: Some objects that are clear and certain colors are not detectable by the sensor. Always use your hand for sensor testing.

- Wave your hand under the spout again to restart the water flow.
- If needed, refer to the "Handle LED Adjustment" section for more information.

NOTE: For extended periods of nonuse, the handle should be returned to the closed (upright) position. The handle LED will turn OFF, indicating that water flow is not available.

NOTE: The green and yellow LEDs are only visible from inside the cover on the circuit board.

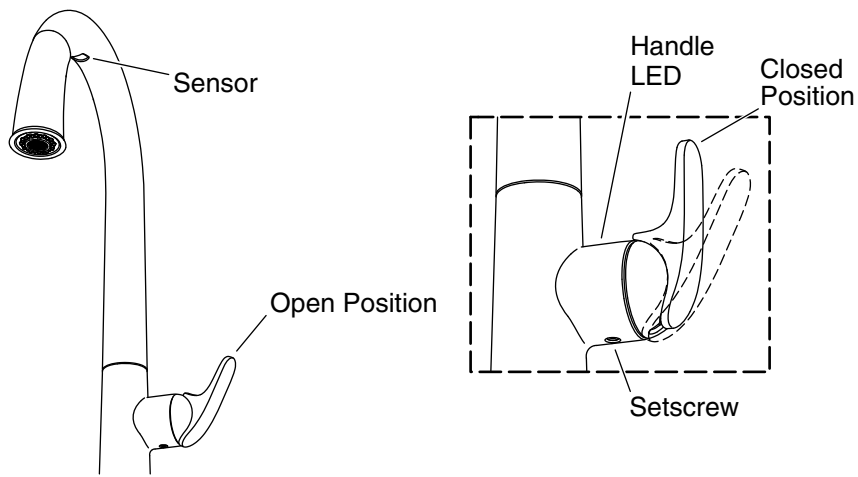
LED Indicators

- **Handle LED:** Illuminates when the sensor is active.
- **Green LED:** Indicates there is power to the circuit board.
- **Yellow LED:** Illuminates briefly when an object has been detected by the sensor.

Faucet Operation (cont.)

Features

- **Automatic shut-off:** After 4 minutes of inactivity, the water will automatically shut OFF.
- **Sensor override:** In the event of power loss, the sensor function can be bypassed by turning in the override feature on the solenoid valve. The faucet can then be operated manually.

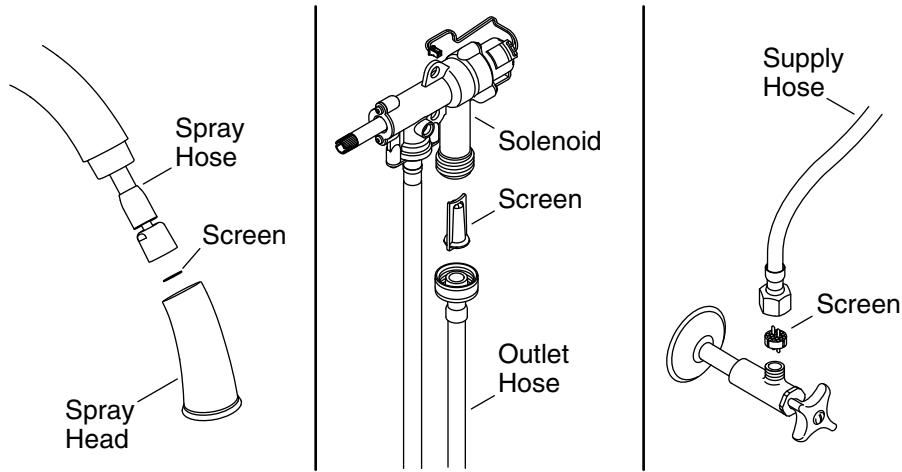


Handle LED Adjustment

NOTE: The LED should turn ON as the handle is rotated open, and OFF when the handle is in the upright (closed) position. Use a 5/64" hex wrench to adjust the valve setscrew as needed.

IMPORTANT! Do not apply upward pressure to the valve setscrew while making adjustments.

- **LED is ON when the handle is closed:** Tighten the valve setscrew until the LED turns OFF. Then tighten the setscrew an additional 1/4 turn.
- **Handle does not return to the upright position:** Loosen the valve setscrew until the handle rotates to the full upright (closed) position and the LED turns ON. Then tighten the setscrew until the LED turns OFF, plus an additional 1/4 turn.
- **Water does not fully shut off:** Loosen the valve setscrew until the handle rotates to the full upright (closed) position and the LED turns ON. Then tighten the setscrew until the LED turns OFF, plus an additional 1/4 turn.



Cleaning the Screens

Sprayhead Screen

- Turn the handle to the closed position.
- Disconnect the nut at the end of the spray hose.
- Remove and clean the screen inside the spray hose.
- Reinsert the screen and reconnect the spray head.

Solenoid Inlet Screen

- Turn the handle to the closed position.
- Disconnect the outlet hose from the solenoid.
- Remove and clean the inlet screen inside the solenoid.
- Reinstall the inlet screen and reconnect the outlet hose.

Supply Hose Screen

- Turn off the water supplies.
- Disconnect the supply hose from the supply stop.
- Clean the screen inside the hose inlet.
- Reconnect the supply hose to the stop.
- Turn on the water supplies.

Care and Cleaning

For best results, keep the following in mind when caring for your KOHLER product:

- Use a mild detergent such as liquid dishwashing soap and warm water for cleaning. Do not use abrasive cleaners that may scratch or dull the surface.
- Carefully read the cleaner product label to ensure the cleaner is safe for use on the material.
- Always test your cleaning solution on an inconspicuous area before applying to the entire surface.
- Do not allow cleaners to sit or soak on the surface.
- Wipe surfaces clean and rinse completely with water immediately after cleaner application. Rinse and dry any overspray that lands on nearby surfaces.
- Use a soft, dampened sponge or cloth. Never use an abrasive material such as a brush or scouring pad to clean surfaces.

For detailed cleaning information and products to consider, visit www.kohler.com/clean. To order Care & Cleaning information, call 1-800-456-4537.

Troubleshooting

CAUTION: Risk of product damage. This product contains sensitive electronic components. Use care not to damage pins and connectors during troubleshooting.

CAUTION: Risk of product damage. Do not insert anything other than the sensor wire into the sensor wire connector (phone jack) on the circuit board.

NOTE: For service parts information, visit your product page at www.kohler.com.

Faucet Troubleshooting Table

Symptoms	Probable Causes	Recommended Action
1. No water flow.	A. The supply stops are closed.	A. Confirm the supply stops are open.

Troubleshooting (cont.)

Faucet Troubleshooting Table

Symptoms	Probable Causes	Recommended Action
	B. Handle is in the closed position.	B. Rotate the handle to the open position. Refer to the "Faucet Operation" section.
	C. The hot and/or cold supply hose is kinked.	C. Confirm the supply hoses are not kinked. If coiled, maintain an inside diameter of 3" (76 mm).
	D. The outlet hose is kinked.	D. Confirm the solenoid valve is located within 7" (178 mm) to 8" (203 mm) of the faucet centerline.
	E. Handle LED is not lit.	E. Refer to the "Handle Switch Troubleshooting Table."
	F. Power LED on circuit board is not lit.	F. Refer to the "Sensor Troubleshooting Table."
	G. One or more screens are clogged.	G. Refer to the "Cleaning the Screens" section.
	2. Low water flow.	A. The supply stops are partially closed.
B. Handle is partially closed.		B. Rotate the handle to the full open position.
C. The hot and/or cold supply hose is kinked or twisted.		C. Confirm the supply hoses are not kinked or twisted. If coiled, maintain an inside diameter of 3" (76 mm).
D. The outlet hose is kinked.		D. Confirm the solenoid valve is located within 7" (178 mm) to 8" (203 mm) of the faucet centerline.

Troubleshooting (cont.)

Faucet Troubleshooting Table

Symptoms	Probable Causes	Recommended Action
	E. One or more screens are clogged.	E. Refer to the "Cleaning the Screens" section.
	F. Cracked diaphragm.	F. Replace the solenoid valve assembly.
3. Poor spray pattern.	A. The spray nozzles are clogged.	A. Rub your finger over the nozzles with water running to dislodge debris.
4. Green power LED is not lit.	A. No power to the circuit board.	A. Check the power supply connections to the circuit board.
	B. Power cord is plugged into a switched outlet.	B. Plug the power cord into an unswitched 120 VAC outlet (test the outlet with a radio or other device). Confirm the circuit board LED illuminates.
5. Water drip or trickle when faucet is not in use.	A. Manual override is partially engaged.	A. Turn the manual override clockwise until it stops; then turn it counterclockwise until the water drip stops.

Solenoid Troubleshooting Table

Symptoms	Probable Causes	Recommended Action
1. Water leaking from the solenoid valve.	A. Hose connections are not secure.	A. CAUTION: Risk of personal injury or product damage. Turn off the main power and water supply. Check all connections. Make adjustments as needed.
	B. Internal leak.	B. Replace the solenoid valve assembly.
2. No audible "click" when solenoid is activated.	A. Loose solenoid wire connection.	A. Check solenoid wire connection to the circuit board.
	B. Solenoid valve is not functioning.	B. Replace the solenoid valve assembly.

Troubleshooting (cont.)

Handle Switch Troubleshooting Table

Symptoms	Probable Causes	Recommended Action
1. Handle LED is lit when the handle is closed.	A. Valve setscrew needs adjustment.	A. Refer to the "Handle LED Adjustment" section.
2. Handle does not return to the upright position.	A. Valve setscrew needs adjustment.	A. Refer to the "Handle LED Adjustment" section.
3. Water does not fully shut off.	A. Valve setscrew needs adjustment.	A. Refer to the "Handle LED Adjustment" section.
4. Handle LED does not illuminate when the handle is rotated open.	A. Loose handle switch wire connection.	A. Check handle switch wire connection to the circuit board.
	B. Circuit board is not functioning correctly.	B. Replace the cover assembly.

Sensor Troubleshooting Table

Symptoms	Probable Causes	Recommended Action
1. Intermittent sensor operation.	A. Debris on the sensor lens.	A. Use mild soap and water to gently remove debris from the sensor lens.
	B. Sensor is detecting steam.	B. Rotate the spout away from the steam.
2. Yellow LED on circuit board does not briefly illuminate with an object in front of the sensor.	A. Object is clear or color is undetectable by the sensor.	A. Test the sensor using your hand.
	B. Debris on the sensor wire connector.	B. At the circuit board, gently disconnect, clean, and reconnect the sensor wire connector.
	C. Requires a system reset.	C. Reset power by unplugging power cord, wait 10 seconds, and reconnect.

Troubleshooting (cont.)

Sensor Troubleshooting Table

Symptoms	Probable Causes	Recommended Action
	D. Circuit board is not functioning.	D. Replace the cover assembly.

Five-Year Limited Warranty

KOHLER® Electronic Faucets, Valves and Controls FIVE-YEAR LIMITED WARRANTY

Kohler Co. warrants that its electronic faucets, valves and controls will be free of defects in material and workmanship during normal residential use for five years from the date the product is installed. This warranty applies only to electronic faucets, valves and controls installed in the United States of America, Canada and Mexico ("North America").

If a defect is found in normal residential use, Kohler Co. will, at its election, repair, provide a replacement part or product, or make appropriate adjustment where Kohler Co.'s inspection discloses any such defect. Damage caused by accident, misuse, or abuse is not covered by this warranty. Improper care and cleaning will void the warranty*. Proof of purchase (original sales receipt) must be provided to Kohler Co. with all warranty claims. Kohler Co. is not responsible for labor charges, installation, or other incidental or consequential costs other than those noted above. In no event shall the liability of Kohler Co. exceed the purchase price of the faucet, valve or control.

If the electronic faucets, valves or controls are used commercially or are installed outside of North America, Kohler Co. warrants that the faucet, valve or control will be free from defects in material and workmanship for one (1) year from the date the product is installed, with all other terms of this warranty applying except duration.

If you believe that you have a warranty claim, contact your Home Center, Dealer, Plumbing Contractor or E-tailer. Please be sure to provide all pertinent information regarding your claim, including a complete description of the problem, the product, model number, the date the product was purchased, from whom the product was purchased and the installation date. Also include your original invoice. For other information, or to obtain the name and address of the service and repair facility nearest you, write Kohler Co., Attn: Customer Care Center, Kohler, Wisconsin 53044 USA, or by calling 1-800-4-KOHLER (1-800-456-4537) from within the USA and Canada, and

Five-Year Limited Warranty (cont.)

001-800-456-4537 from within Mexico, or visit www.kohler.com within the USA, www.ca.kohler.com from within Canada, or www.mx.kohler.com in Mexico.

THE FOREGOING WARRANTIES ARE IN LIEU OF ALL OTHER WARRANTIES, EXPRESS OR IMPLIED, INCLUDING BUT NOT LIMITED TO THE IMPLIED WARRANTIES OF MERCHANTABILITY AND FITNESS FOR A PARTICULAR PURPOSE.

KOHLER CO. AND/OR SELLER DISCLAIM ANY LIABILITY FOR SPECIAL, INCIDENTAL OR CONSEQUENTIAL DAMAGES. Some states/provinces do not allow limitations on how long an implied warranty lasts or the exclusion or limitation of such damages, so these limitations and exclusions may not apply to you. This warranty gives the consumer specific legal rights. You may also have other rights that vary from state/province to state/province. This warranty is to the original consumer purchaser only, and excludes product damage due to installation error, product abuse, or product misuse, whether performed by a contractor, service company, or the consumer.

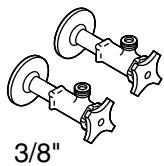
This is Kohler Co.'s exclusive written warranty.

*Never use cleaners containing abrasive cleansers, ammonia, bleach, acids, waxes, alcohol, solvents or other products not recommended for chrome. This will void the warranty.

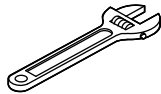
Guide d'installation et d'entretien

Robinet d'évier électronique

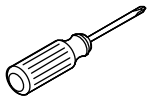
Outils et matériel



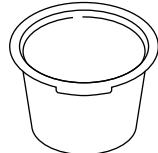
3/8"



Chiffons



Tournevis à pointe
cruciforme



Seau

Plus:

- Prise électrique non commutée

Avant de commencer



AVERTISSEMENT: Risque de contamination de l'eau potable. Ce robinet comprend une protection contre le siphonnement à rebours. Ne pas retirer les composants internes.



AVERTISSEMENT: Lors de l'utilisation de produits électriques, toujours observer les précautions de base, notamment:



DANGER: Risque de choc électrique. Raccorder uniquement à un circuit protégé par un disjoncteur de fuite de terre (GFCI)*.



AVERTISSEMENT: Risque de choc électrique. Une mise à la terre est requise. Toutes les connexions électriques doivent être effectuées par un électricien agréé.



AVERTISSEMENT: Risque de choc électrique. Déconnecter l'alimentation électrique avant d'effectuer un entretien.



AVERTISSEMENT: Risque de blessures ou d'endommagement du matériel. Lire toutes les instructions avec attention avant de commencer l'installation.

Avant de commencer (cont.)



ATTENTION: Risque de dommages matériels. Le bec du robinet comprend un aimant. Ne pas laisser des objets pouvant subir des dommages électromagnétiques s'approcher du bec.

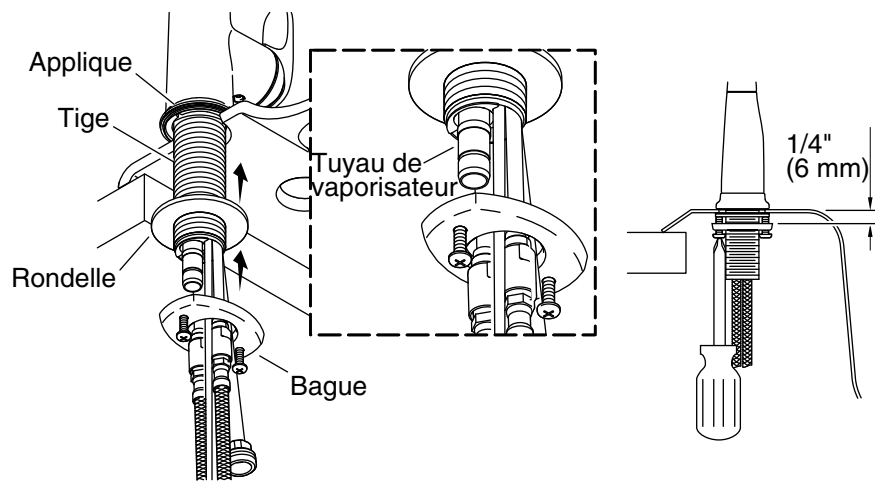
Respecter tous les codes de plomberie, d'électricité et de construction.

* Hors de l'Amérique du Nord, ce dispositif peut être connu sous le nom de dispositif à courant résiduel (RCD).

ATTENTION: Risque d'endommagement du produit. Ce produit contient des composants électroniques sensibles. Ne pas entreposer les récipients de produits chimiques ou de nettoyage près de ce produit. Les chiffons ou éponges de nettoyage doivent être rincés avec de l'eau fraîche avant le stockage.

IMPORTANT! Ne pas utiliser de prise de courant commandée par interrupteur (généralement utilisée pour les broyeurs de déchets) pour fournir une alimentation au robinet.

- Produit laser Classe 1 : conforme aux normes 21 CFR 1040.10 et 1040.11.
- Respecter tous les codes de plomberie et de bâtiment locaux.
- Fournir une prise électrique continue de 120 V c.a. **non commutée** placée sous l'évier à 5' (1,5 m) du boîtier de commande.
- Couper l'alimentation en eau.
- Pour de nouvelles installations, assembler le robinet sur l'évier avant d'installer ce dernier.
- Pour des surfaces de fixation inégales (telles que des lignes de joints de carrelage), appliquer du mastic d'étanchéité adéquat sous le robinet. **Ne pas utiliser du mastic d'étanchéité à base de pétrole.**



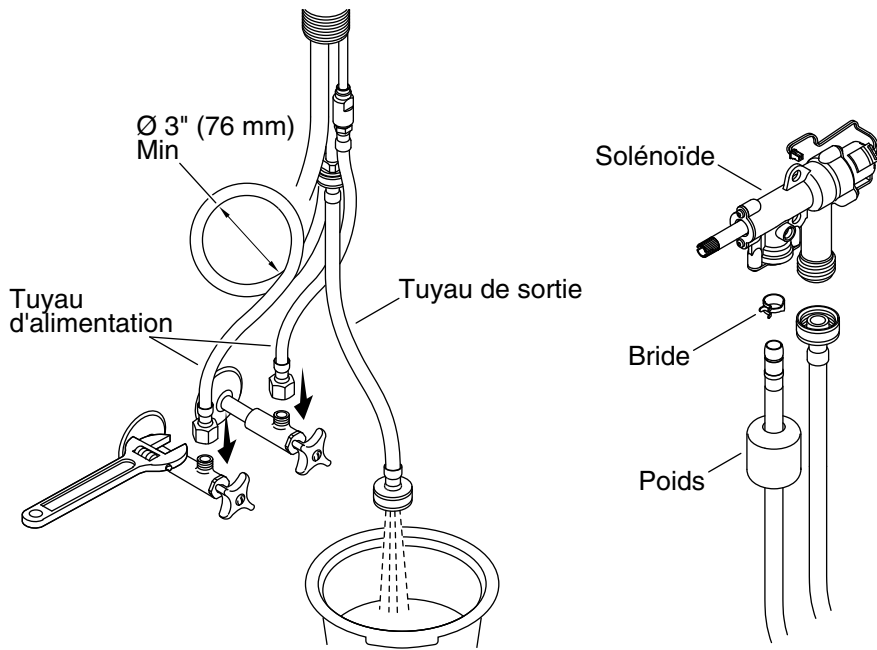
1. Installer le robinet

REMARQUE: L'orientation de la poignée est conçue pour se trouver sur la droite.

- Enfiler les vis dans l'anneau sur 1/4" (6 mm) au-delà de la surface.
- Insérer le robinet à travers la surface de fixation avec la poignée sur la droite.
- Tirer sur la tête de vaporisation pour la faire sortir et la poser dans la vasque de l'évier. Ne pas tirer sur l'extrémité du tuyau du vaporisateur pour le mettre dans la tige.
- Pousser le tuyau vers le haut, vers la tige, à partir du dessous de l'évier.
- Faire glisser la rondelle par-dessus les tuyaux et les fils, puis vers le haut sur la tige.
- Faire glisser la rondelle par-dessus les tuyaux et les fils, puis vers le haut, vers la tige.
- Visser l'anneau sur la tige jusqu'à ce qu'il entre en contact avec le dessous de l'évier.
- Ajuster l'anneau de manière à aligner les vis sur l'avant et l'arrière du robinet.
- Utiliser un tournevis à pointe cruciforme pour serrer les vis en toute sécurité.
- Tirer l'extrémité du tuyau du vaporisateur vers le bas, dans le sens opposé de la tige.

Installer le robinet (cont.)

- Glisser de nouveau la tête de vaporisation dans le bec.



2. Connecter les alimentations

ATTENTION: Risque de limitation de débit d'eau et d'endommagement du produit. Les tuyaux d'alimentation ne doivent pas être tendus, déformés ou tordus pendant l'installation. Si les tuyaux d'alimentation doivent être embobinés, maintenir un diamètre intérieur de 3" (76 mm).

Connecter les alimentations

- Assembler le tuyau de sortie sur le robinet.
- Connecter et serrer les tuyaux d'alimentation sur les robinets d'arrêt d'alimentation.
- Placer un seau sous le tuyau de sortie.
- Ouvrir les alimentations en eau.
- Vidanger l'eau chaude et froide dans un seau pendant 1 minute pour éliminer les débris éventuels.
- Connecter le tuyau de sortie au solénoïde.

Connecter le tuyau du vaporisateur

- Retirer le capuchon de protection.

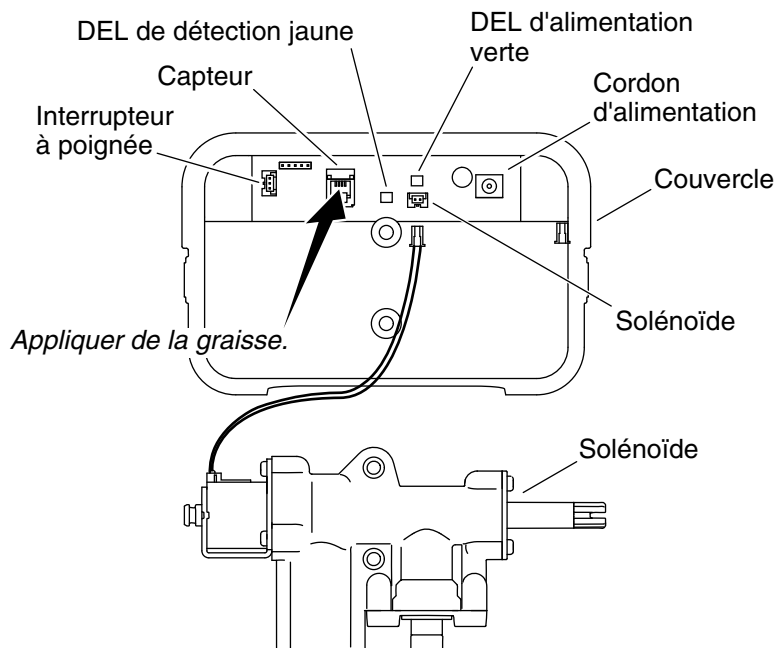
Connecter les alimentations (cont.)

REMARQUE: Le poids doit être installé sur le tuyau du vaporisateur pour agir en tant qu'arrêt à traction et pour empêcher les dommages dus à une déformation.

- Faire glisser le poids puis le collier sur le tuyau du vaporisateur.

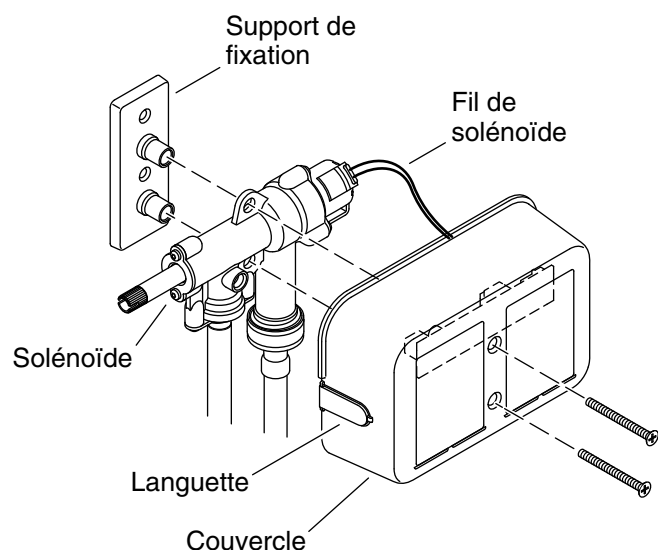
REMARQUE: Utiliser des pinces pour étendre le collier par-dessus l'extrémité du tuyau.

- Attacher le tuyau du vaporisateur sur le raccord de sortie se trouvant sur le solénoïde. S'assurer que le tuyau est entièrement engagé dans le raccord.



3. Connecter les fils

- Appliquer de la graisse (fournie) sur la douille du capteur se trouvant sur la carte de circuits imprimés à l'intérieur du couvercle. Ceci fournira une protection supplémentaire contre la corrosion.
- Connecter les fils de l'interrupteur de la poignée et du capteur entre le robinet et la carte de circuits imprimés.
- Connecter le cordon d'alimentation à la carte de circuits imprimés.
- Connecter le fil du solénoïde à la carte de circuits imprimés.
- Brancher le cordon d'alimentation dans une prise de 120 V c.a. non commutée. La DEL verte de la carte de circuits imprimés s'allumera.
- Tester l'activation du capteur. Se référer à la section "Fonctionnement du robinet".



4. Installer le solénoïde



ATTENTION: Risque de débit d'eau restreint. Le tuyau de sortie ne doit pas être tendu ou déformé pendant l'installation. Positionner l'électrovanne dans un rayon de 7" (178 mm) à 8" (203 mm) de la ligne centrale du robinet.

REMARQUE: Positionner l'électrovanne dans un rayon de 7" (178 mm) à 8" (203 mm) à partir de la ligne centrale du robinet. Laisser un dégagement adéquat pour l'entretien.

Monter le support

REMARQUE: Le support de fixation doit être fixé avec deux dispositifs d'attache adéquats (non fournis) en fonction du type et de l'épaisseur du meuble ou du matériau du mur.

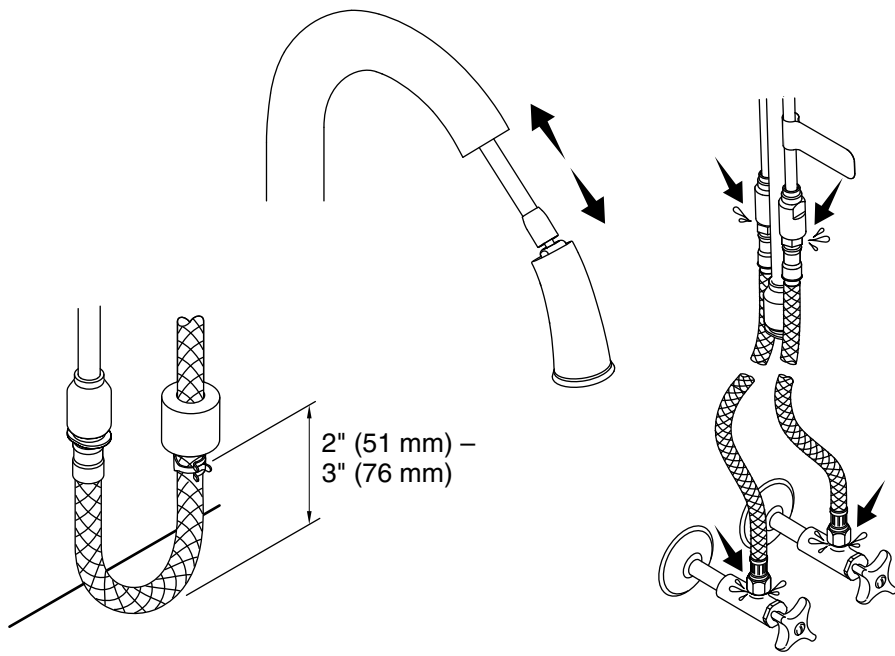
- Attacher le support de fixation à la verticale sur le meuble ou le mur.

Monter le solénoïde et le couvercle

REMARQUE: Le solénoïde peut être placé à droite ou à gauche. Retirer la languette adéquate sur le couvercle.

Installer le solénoïde (cont.)

- Positionner le solénoïde et le couvercle sur le support de fixation.
- Fixer le solénoïde et le couvercle sur le support de fixation avec les deux vis fournies.



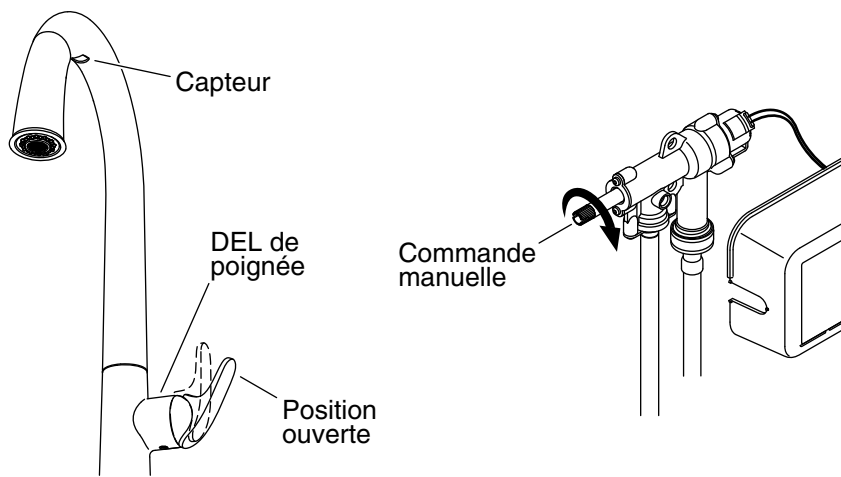
5. Terminer l'installation

Positionner le poids

- Positionner le poids entre 2" (51 mm) et 3" (76 mm) du sol du meuble.
- Sécuriser le collier autour du tuyau du vaporisateur, juste en dessous du poids.
- Étendre et rétracter le tuyau du vaporisateur pour vérifier le fonctionnement adéquat.

Rechercher des fuites

- S'assurer que tous les raccords sont bien serrés.
- Ouvrir les alimentations en eau et vérifier tous les raccords pour y rechercher des fuites éventuelles.
- Tester le robinet pour assurer un fonctionnement adéquat. Se référer à la section "Fonctionnement du robinet".



Fonctionnement du robinet

- Tourner la poignée vers l'extérieur en position ouverte pour démarrer le débit d'eau. La DEL de la poignée s'allume pour indiquer que le capteur fonctionne.
- Ajuster la poignée à la température d'eau souhaitée.
- Agiter la main sous le bec pour arrêter le débit d'eau.

REMARQUE: Certains objets qui sont transparents et certaines couleurs ne peuvent pas être détectés par le capteur. Utiliser toujours la main pour tester le capteur.

- Agiter de nouveau la main sous le bec pour redémarrer le débit d'eau.
- Si nécessaire, consulter la section "Réglage de la DEL de la poignée" pour obtenir de l'information supplémentaire.

REMARQUE: Lors de périodes prolongées de non utilisation, la poignée doit être ramenée à la position fermée (verticale). La DEL de la poignée s'éteint, et indique ainsi que le débit d'eau n'est pas disponible.

REMARQUE: Les DEL verte et jaune sont seulement visibles à partir de l'intérieur du couvercle sur la carte de circuits imprimés.

Indicateurs DEL

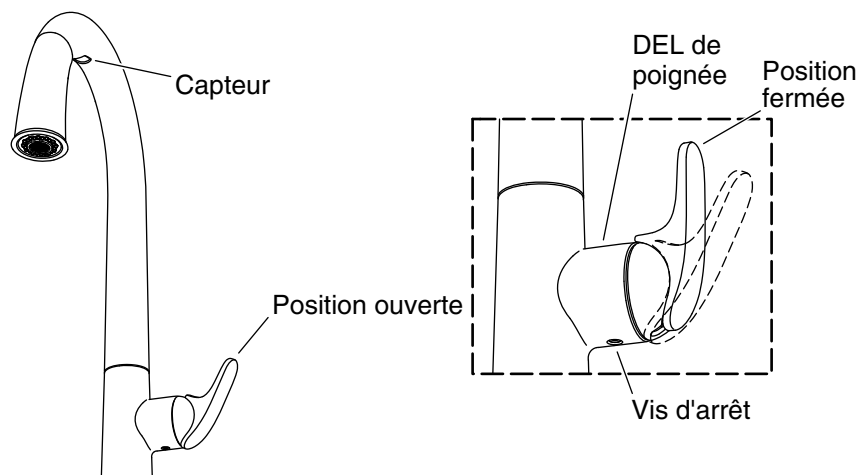
- **DEL de poignée:** S'allume lorsque le capteur est en marche.

Fonctionnement du robinet (cont.)

- **DEL verte:** Indique que la carte de circuits imprimés est alimentée.
- **DEL jaune:** S'allume brièvement lorsqu'un objet a été détecté par le capteur.

Caractéristiques

- **Arrêt automatique:** Au bout de 4 minutes d'inactivité, l'eau s'arrête automatiquement.
- **Annulation du capteur:** En cas de perte d'alimentation, la fonction du capteur peut être annulée en tournant la fonction d'annulation sur l'électrovanne. Le robinet peut alors être actionné manuellement.

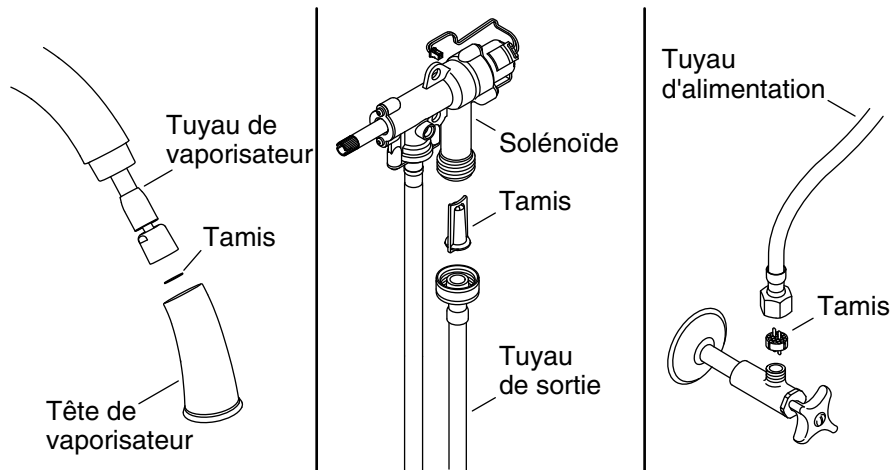


Réglage de la DEL de la poignée

REMARQUE: La DEL doit être allumée lorsque la poignée est tournée en position ouverte, et éteinte lorsque la poignée est en position verticale (fermée). Utiliser une clé hexagonale de 5/64" pour régler la vis d'arrêt de la vanne selon les besoins.

IMPORTANT! Ne pas appliquer de pression vers le haut sur la vis d'arrêt de la vanne pendant les ajustements.

- **La DEL est allumée lorsque la poignée est fermée:** Serrer la vis d'arrêt de la vanne jusqu'à ce que la DEL s'éteigne. Serrer ensuite la vis d'arrêt d'1/4 de tour supplémentaire.
- **La poignée ne retourne pas en position verticale:** Desserrer la vis d'arrêt de la vanne jusqu'à ce que la poignée tourne jusqu'à la position entièrement verticale (fermée) et que la DEL s'allume. Serrer ensuite la vis d'arrêt jusqu'à ce que la DEL s'éteigne, puis serrer d'1/4 de tour supplémentaire.
- **L'eau ne s'arrête pas entièrement de couler:** Desserrer la vis d'arrêt de la vanne jusqu'à ce que la poignée tourne jusqu'à la position entièrement verticale (fermée) et que la DEL s'allume. Serrer ensuite la vis d'arrêt jusqu'à ce que la DEL s'éteigne, puis serrer d'1/4 de tour supplémentaire.



Nettoyer les tamis

Tamis de tête de vaporisation

- Tourner la poignée en position fermée.
- Déconnecter l'écrou à l'extrémité du tuyau du vaporisateur.
- Retirer et nettoyer l'écran à l'intérieur du tuyau du vaporisateur.
- Réinsérer le tamis et reconnecter la tête de vaporisation.

Tamis d'entrée de solénoïde

- Tourner la poignée en position fermée.
- Déconnecter le tuyau de sortie du solénoïde.
- Retirer et nettoyer le tamis d'entrée à l'intérieur du solénoïde.
- Réinstaller le tamis d'entrée et reconnecter le tuyau de sortie.

Tamis de tuyau d'alimentation

- Couper les alimentations en eau.
- Déconnecter le tuyau d'alimentation du robinet d'arrêt d'alimentation.
- Nettoyer le tamis à l'intérieur de l'orifice d'entrée du tuyau.
- Reconnecter le tuyau d'arrivée d'eau à l'arrêt.
- Ouvrir les alimentations en eau.

Entretien et nettoyage

Pour obtenir les meilleurs résultats possibles, prendre ce qui suit en considération lors de l'entretien de votre produit KOHLER:

- Utiliser un détergent doux comme du liquide pour vaisselle et de l'eau chaude pour nettoyer. Ne pas utiliser de nettoyeurs abrasifs qui pourraient rayer ou ternir la surface.
- Lire l'étiquette du produit de nettoyage avec le plus grand soin pour assurer que celui-ci peut être utilisé sans danger sur le matériau.
- Toujours tester la solution de nettoyage sur une surface non visible avant de l'appliquer sur l'ensemble de la surface.
- Ne pas laisser les nettoyeurs reposer ou tremper sur la surface.
- Essuyer les surfaces et rincer complètement avec de l'eau immédiatement après l'application du nettoyeur. Rincer et sécher tout éclaboussement sur les surfaces avoisinantes.
- Utiliser une éponge ou un chiffon doux et humide. Ne jamais utiliser de matériau abrasif tel qu'une brosse ou une éponge à récurer pour nettoyer les surfaces.

Pour obtenir des informations détaillées sur le nettoyage et les produits à considérer, consulter le site www.kohler.com/clean. Pour commander des informations sur l'entretien & le nettoyage, appeler le 1-800-456-4537.

Dépannage

ATTENTION: Risque d'endommagement du produit. Ce produit contient des composants électroniques sensibles. Procéder avec soin afin d'éviter d'endommager les goupilles et les connecteurs pendant le dépannage.

ATTENTION: Risque d'endommagement du produit. Ne pas insérer quoi que ce soit d'autre que le fil du capteur dans le connecteur du fil du capteur (sortie casque) sur la carte de circuits imprimés.

REMARQUE: Pour tout renseignement sur les pièces de rechange, visiter la page du produit sur le site www.kohler.com.

Dépannage (cont.)

Tableau de dépannage du robinet

Symptômes	Causes probables	Action recommandée
1. Pas d'écoulement d'eau.	A. Les robinets d'arrêt d'alimentation sont fermés.	A. Confirmer que les robinets d'arrêt d'alimentation sont ouverts.
	B. La poignée est en position fermée.	B. Tourner la poignée en position ouverte. Se référer à la section "Fonctionnement du robinet".
	C. Le tuyau d'alimentation chaud et/ou froid est déformé.	C. Confirmer que les tuyaux d'alimentation ne sont pas déformés. S'ils sont enroulés, maintenir un diamètre intérieur de 3" (76 mm).
	D. Le tuyau de sortie est déformé.	D. Confirmer que l'électrovanne est placée dans un rayon de 7" (178 mm) à 8" (203 mm) de la ligne centrale du robinet.
	E. La DEL de la poignée n'est pas allumée.	E. Se reporter au "Tableau de dépannage de l'interrupteur de la poignée".
	F. La DEL d'alimentation de la carte de circuits imprimés n'est pas allumée.	F. Se reporter au "Tableau de dépannage du capteur".
	G. Un ou plusieurs tamis sont bouchés.	G. Se référer à la section "Nettoyer les tamis".
2. Débit d'eau bas.	A. Les robinets d'arrêt d'alimentation sont fermés partiellement.	A. Confirmer que les robinets d'arrêt d'alimentation sont entièrement ouverts.

Dépannage (cont.)**Tableau de dépannage du robinet**

Symptômes	Causes probables	Action recommandée
	B. La poignée est fermée partiellement.	B. Tourner la poignée en position entièrement ouverte.
	C. Le tuyau d'alimentation en eau chaude et/ou froide est déformé ou tordu.	C. Confirmer que les tuyaux d'alimentation ne sont pas déformés ou tordus. S'ils sont enroulés, maintenir un diamètre intérieur de 3" (76 mm).
	D. Le tuyau de sortie est déformé.	D. Confirmer que l'électrovanne est placée dans un rayon de 7" (178 mm) à 8" (203 mm) de la ligne centrale du robinet.
	E. Un ou plusieurs tamis sont bouchés.	E. Se référer à la section "Nettoyer les tamis".
	F. Diaphragme craquelé.	F. Remplacer l'ensemble de l'électrovanne.
3. Mauvais schéma du vaporisateur.	A. Les buses du vaporisateur sont bouchées.	A. Frotter le doigt par-dessus les buses en faisant couler de l'eau pour déloger les débris.
4. La DEL d'alimentation verte n'est pas allumée.	A. Pas d'alimentation vers la carte de circuits imprimés.	A. Vérifier les connexions de l'alimentation électrique vers la carte de circuits imprimés.
	B. Le cordon d'alimentation est branché dans une prise commutée.	B. Brancher le cordon d'alimentation dans une prise de 120 V c.a. non commutée (tester la prise avec une radio ou un autre appareil). Confirmer que la DEL de la carte de circuits imprimés s'allume.

Dépannage (cont.)

Tableau de dépannage du robinet

Symptômes	Causes probables	Action recommandée
5. Égouttement ou mince filet d'eau lorsque le robinet n'est pas utilisé.	A. La commande de neutralisation manuelle est engagée partiellement.	A. Tourner la commande d'annulation manuelle dans le sens horaire jusqu'à ce qu'elle s'arrête; tourner ensuite la commande dans le sens horaire jusqu'à ce que l'égouttement d'eau s'arrête.

Tableau de dépannage de solénoïde

Symptômes	Causes probables	Action recommandée
1. Fuite d'eau en provenance de l'électrovanne.	A. Les raccords de tuyaux ne sont pas sécurisés.	A. ATTENTION: Risque de blessures ou d'endommagement du produit. Couper le courant principal et l'alimentation en eau. Inspecter toutes les connexions. Effectuer les ajustements selon les besoins.
	B. Fuite interne.	B. Remplacer l'ensemble de l'électrovanne.
2. Aucun "clic" audible lors de l'activation du solénoïde.	A. Connexion de fil de solénoïde desserrée.	A. Vérifier la connexion du fil du solénoïde vers la carte de circuits imprimés.
	B. L'électrovanne ne fonctionne pas.	B. Remplacer l'ensemble de l'électrovanne.

Tableau de dépannage de l'interrupteur de la poignée

Symptômes	Causes probables	Action recommandée
1. La DEL de la poignée est allumée lorsque la poignée est fermée.	A. La vis d'arrêt de la vanne doit être réglée.	A. Se référer à la section "Réglage de la DEL de la poignée".

Dépannage (cont.)

Tableau de dépannage de l'interrupteur de la poignée

Symptômes	Causes probables	Action recommandée
2. La poignée ne retourne pas en position verticale.	A. La vis d'arrêt de la vanne doit être réglée.	A. Se référer à la section "Réglage de la DEL de la poignée".
3. L'eau ne s'arrête pas entièrement de couler.	A. La vis d'arrêt de la vanne doit être réglée.	A. Se référer à la section "Réglage de la DEL de la poignée".
4. La DEL de la poignée ne s'allume pas lorsque la poignée est tournée en position ouverte.	A. Connexion de fil d'interrupteur de poignée desserrée.	A. Inspecter la connexion du fil de l'interrupteur de poignée vers la carte de circuits imprimés.
	B. La carte de circuits imprimés ne fonctionne pas correctement.	B. Remplacer l'ensemble du couvercle.

Tableau de dépannage de capteur

Symptômes	Causes probables	Action recommandée
1. Fonctionnement intermittent du capteur.	A. Débris sur la lentille du capteur.	A. Utiliser du savon doux et de l'eau pour doucement retirer les débris de la lentille du capteur.
	B. Le capteur détecte de la vapeur.	B. Tourner le bec pour l'éloigner de la vapeur.

Dépannage (cont.)

Tableau de dépannage de capteur

Symptômes	Causes probables	Action recommandée
2. La DEL jaune de la carte de circuits imprimés ne s'allume pas brièvement avec un objet placé devant le capteur.	A. L'objet est transparent ou la couleur ne peut être détectée par le capteur.	A. Tester le capteur en utilisant la main.
	B. Débris sur le connecteur du fil du capteur.	B. Sur la carte de circuits imprimés, déconnecter, nettoyer et reconnecter avec précaution le connecteur du fil du capteur.
	C. Exige une réinitialisation du système.	C. Réinitialiser l'alimentation en débranchant le cordon d'alimentation, en attendant 10 secondes et en reconnectant.
	D. La carte de circuits imprimés ne fonctionne pas.	D. Remplacer l'ensemble du couvercle.

Garantie Limitée de cinq ans

Garantie limitée de cinq ans pour les robinets, valves et contrôles électroniques KOHLER®

Kohler Co. garantit les robinets, valves et contrôles électroniques contre tout vice de matériau et de fabrication lors d'une utilisation domestique normale, pendant cinq ans à partir de la date d'installation du produit. La présente garantie s'applique uniquement aux robinets, valves et contrôles électroniques installés aux États-Unis, au Canada et au Mexique ("Amérique du Nord").

En cas de défectuosité lors d'une utilisation domestique normale, Kohler Co. choisira, à son gré, la réparation, le remplacement de la pièce ou du produit, ou la rectification appropriée, dans les cas où l'inspection de Kohler révélerait une telle défectuosité. Aucun dommage causé par un accident, une mauvaise utilisation ou un mauvais traitement n'est couvert par la présente garantie. Un entretien

Garantie Limitée de cinq ans (cont.)

et un nettoyage inadéquats annulent la garantie*. Une preuve d'achat (ticket de caisse d'origine) doit être présentée à Kohler Co. avec toutes les réclamations au titre de la garantie. Kohler Co. n'est pas responsable des frais de main-d'œuvre, d'installation ou de tout autre frais particulier accessoire ou indirect que ceux susmentionnés. La responsabilité de Kohler Co. ne dépassera en aucun cas le prix d'achat du robinet, de la valve ou du contrôle.

Si les robinets, les valves ou les contrôles électroniques sont utilisés dans un commerce ou si ces articles sont installés en dehors d'Amérique du Nord, Kohler Co. garantit les robinets, les valves ou les contrôles contre tout vice de matériau et de fabrication pendant un (1) an à partir de la date d'installation dudit produit, et toutes les autres modalités de la présente garantie s'appliquent à l'exception de sa durée.

Pour toute réclamation au titre de la présente garantie, contacter le vendeur, plombier, centre de rénovation ou revendeur par internet. Fournir tous les renseignements pertinents à la réclamation, dont notamment une description complète du problème et du produit, le numéro de modèle, la date et le lieu d'achat du produit, ainsi que la date de son installation. Joindre également l'original de la facture. Pour de plus amples renseignements ou pour obtenir les coordonnées du service de réparation le plus proche, écrire à Kohler Co., Attn: Customer Care Center, Kohler, Wisconsin 53044, USA, ou appeler le 1-800-4-KOHLER (1-800-456-4537) à partir des É.-U. et du Canada, et le 001-800-456-4537 à partir du Mexique, ou consulter le site www.kohler.com aux É.-U., www.ca.kohler.com à partir du Canada, ou www.mx.kohler.com au Mexique.

LES GARANTIES SUSMENTIONNÉES SONT FOURNIES AU LIEU ET PLACE DE TOUTES AUTRES GARANTIES, EXPRESSES OU TACITES, Y COMPRIS LES GARANTIES TACITES DE COMMERCIALITÉ ET D'ADAPTATION À UN USAGE PARTICULIER.

KOHLER CO. ET/OU LE REVENDEUR DÉCLINENT TOUTE RESPONSABILITÉ CONTRE LES DOMMAGES PARTICULIERS, ACCESSOIRES OU INDIRECTS. Certains états et provinces ne permettent pas de limite sur la durée de la garantie tacite, ni l'exclusion ou la limite des dommages, et, par conséquent, lesdites limites et exclusions peuvent ne pas s'appliquer à votre cas. La présente garantie accorde au consommateur des droits juridiques particuliers. Vous pouvez également avoir d'autres droits qui varient d'un état ou d'une province à l'autre. La présente garantie est accordée uniquement à l'acquéreur d'origine et exclut tous dommages dus à une mauvaise installation, un usage abusif ou une

Garantie Limitée de cinq ans (cont.)

mauvaise utilisation du produit, qu'ils soient effectués par un entrepreneur, une société de services ou le consommateur.

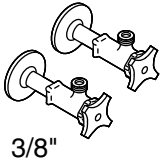
Ceci constitue la garantie écrite exclusive de Kohler Co.

***Ne jamais utiliser de nettoyeurs contenant des agents abrasifs, de l'ammoniaque, de l'eau de Javel, des acides, des cires, de l'alcool, des dissolvants ou autres produits non recommandés pour le chrome. Ceci annulera la garantie.**

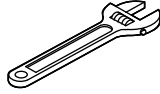
Guía de instalación y cuidado

Grifería electrónica de cocina

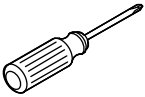
Herramientas y materiales



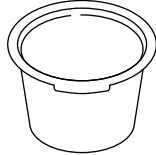
3/8"



Trapos



Destornillador Phillips



Cubeta

Más:

- Tomacorriente eléctrico no conmutado

Antes de comenzar



ADVERTENCIA: Riesgo de contaminación del agua. Esta grifería tiene protección contra contrasifonaje. No retire ninguno de los componentes internos.



ADVERTENCIA: Al usar aparatos eléctricos siempre cumpla las precauciones básicas, incluidas las siguientes:



PELIGRO: Riesgo de sacudidas eléctricas. Conecte solo a un circuito protegido por un interruptor de circuito con pérdida a tierra (GFCI)*.



ADVERTENCIA: Riesgo de sacudidas eléctricas. Se requiere conexión a tierra. Un electricista profesional debe hacer todas las conexiones eléctricas.



ADVERTENCIA: Riesgo de sacudidas eléctricas. Desconecte el suministro eléctrico antes de dar servicio.



ADVERTENCIA: Riesgo de lesiones personales o de daños a la propiedad. Lea atentamente todas las instrucciones antes de comenzar la instalación.

Antes de comenzar (cont.)



PRECAUCIÓN: Riesgo de daños a la propiedad. El surtidor de la grifería tiene un imán. No acerque al surtidor objetos susceptibles a sufrir daños electromagnéticos.

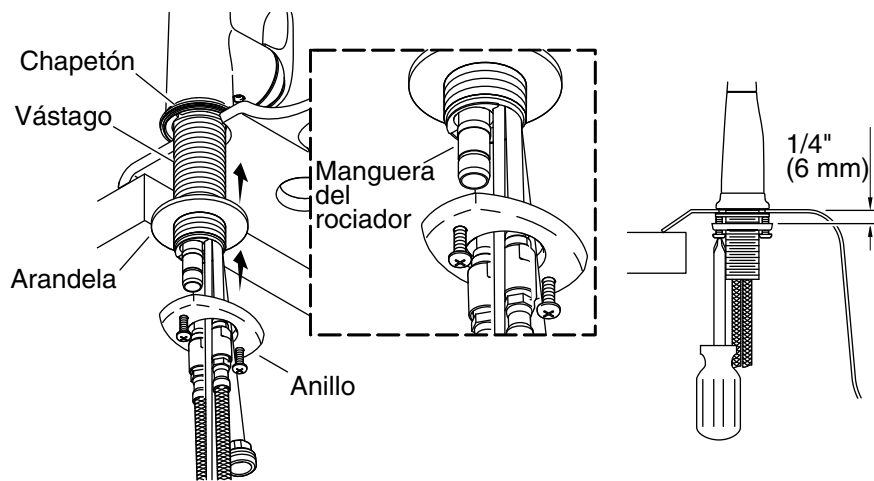
Cumpla todos los códigos de plomería, eléctricos y de construcción.

*Fuera de Estados Unidos, es posible que este dispositivo se conozca como dispositivo de corriente residual (RCD, por sus siglas en inglés).

PRECAUCIÓN: Riesgo de daños al producto. Este producto tiene componentes electrónicos sensibles. No guarde recipientes abiertos de productos químicos o de productos de limpieza cerca de este producto. Las esponjas y los trapos de limpieza se deben enjuagar con agua limpia antes de guardarlos.

¡IMPORTANTE! No utilice un tomacorriente controlado por interruptor (típicamente para trituradores de desperdicios de alimentos) para el suministro eléctrico a la grifería.

- Producto de láser clase 1: Cumple las normas 21 CFR 1040.10 y 1040.11.
- Cumpla todos los códigos locales de plomería y de construcción.
- Asegúrese de que haya un tomacorriente eléctrico **no conmutado** constante de 120 VCA bajo el fregadero, a menos de 5 pies (1,5 m) de la caja de control.
- Cierre el suministro de agua.
- En instalaciones nuevas, ensamble la grifería al fregadero antes de instalar el fregadero.
- En superficies de montaje disparejas (con líneas de lechada de cemento en azulejo) aplique un sellador adecuado bajo la grifería. **No use selladores derivados del petróleo.**



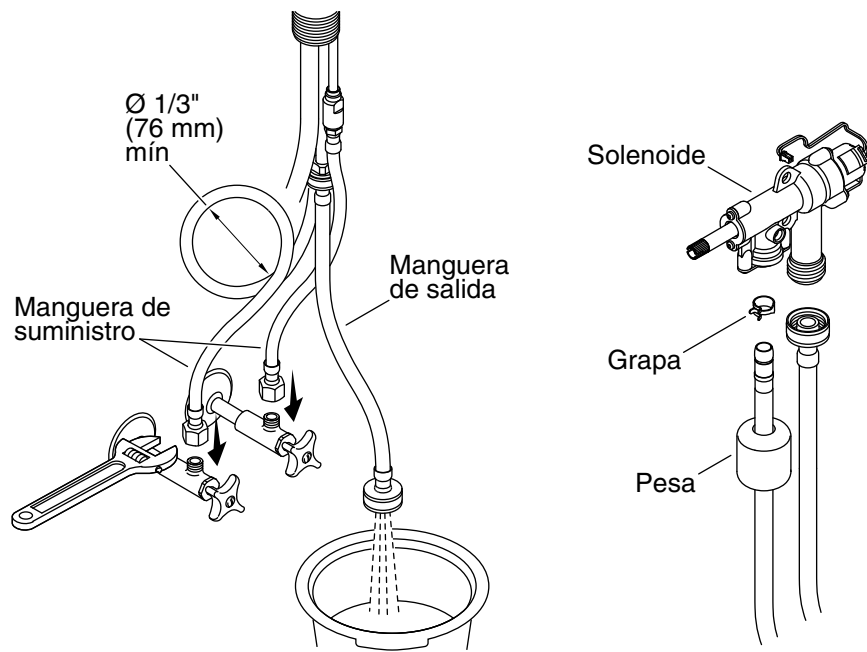
1. Instale la grifería

NOTA: La manija está diseñada para quedar orientada hacia el lado derecho.

- Enrosque los tornillos en el anillo hasta que sobresalgan 1/4" (6 mm) de la superficie.
- Introduzca la grifería a través de la superficie de montaje, con la manija hacia la derecha.
- Jale la cabeza del rociador hacia fuera y colóquela en el fondo del fregadero. No jale el extremo de la manguera del rociador hacia dentro del vástago.
- Desde abajo del fregadero, empuje la manguera del rociador hacia arriba al vástago.
- Deslice la arandela sobre las mangueras y los cables, y luego hacia arriba al vástago.
- Deslice el anillo sobre las mangueras y los cables, y luego hacia arriba al vástago.
- Enrosque el anillo en el vástago hasta que la arandela haga contacto con la cara inferior del fregadero.
- Ajuste el anillo de modo que los tornillos queden alineados con respecto a la parte delantera y posterior de la grifería.
- Apriete bien los tornillos con un destornillador Phillips.
- Jale el extremo de la manguera del rociador hacia abajo, para alejarlo del vástago.

Instale la grifería (cont.)

- Deslice la cabeza del rociador de nuevo dentro del surtidor.



2. Conecte los suministros

PRECAUCIÓN: Riesgo de restricción de flujo de agua y de daños al producto. Las mangueras de suministro no deben quedar tensas, pellizcadas ni torcidas al instalarlas. Si debe enrollar las mangueras de suministro, mantenga un diámetro interior de 3" (76 mm).

Conecte los suministros

- Ensamble la manguera de salida a la grifería.
- Conecte y apriete las mangueras de suministro a las llaves de paso.
- Coloque una cubeta bajo la manguera de salida.
- Abra los suministros de agua.
- Deje correr agua caliente y fría hacia una cubeta durante 1 minuto para que salgan todos los residuos.
- Conecte la manguera de salida a la entrada del solenoide.

Conecte la manguera del rociador

- Retire la tapa protectora.

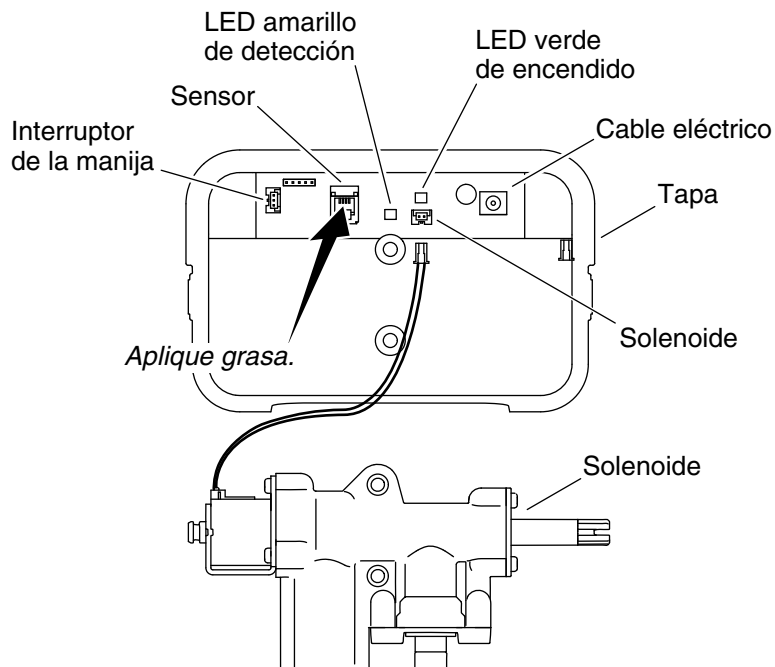
Conecte los suministros (cont.)

NOTA: La pesa debe quedar instalada en la manguera del rociador para que actúe como tope de jalar y para evitar daños por torceduras.

- Deslice la pesa, luego la abrazadera en la manguera del rociador.

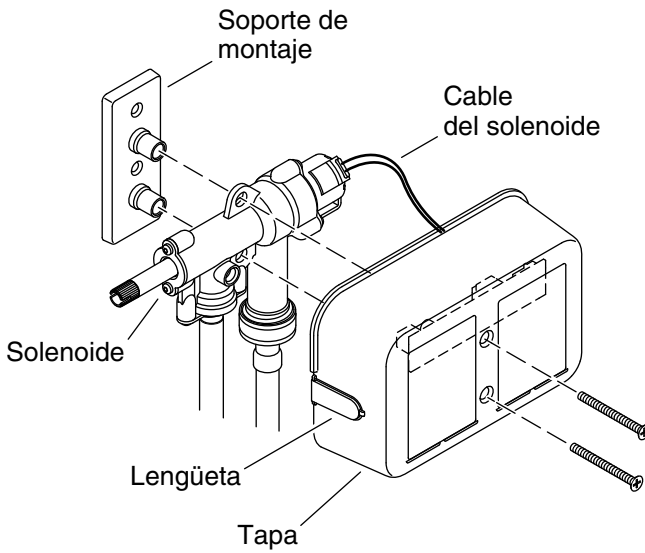
NOTA: Abra con unas pinzas la abrazadera sobre el extremo de la manguera.

- Conecte la manguera del rociador a la conexión de salida en el solenoide. Asegúrese de que la manguera encaje por completo en la conexión.



3. Conecte los cables

- Aplique grasa (se incluye) al casquillo del sensor ubicado en el tablero de circuitos dentro de la cubierta. Esto ofrece protección adicional contra la corrosión.
- Conecte los cables del interruptor de la manija y del sensor de la grifería al tablero de circuitos.
- Conecte el cable de suministro eléctrico al tablero de circuitos.
- Conecte el cable del solenoide al tablero de circuitos.
- Enchufe el cable eléctrico a un tomacorriente no conmutado de 120 VCA. Se ilumina el diodo (LED) en el tablero de circuitos.
- Pruebe la activación del sensor. Consulte la sección "Funcionamiento de la grifería".



4. Instale el solenoide



PRECAUCIÓN: Riesgo de restricción de flujo de agua. La manguera de salida no debe quedar tensa ni torcida al instalarla. Coloque la válvula de solenoide de 7" (178 mm) a 8" (203 mm) de la línea de centros de la grifería.

NOTA: Coloque la válvula de solenoide de 7" (178 mm) a 8" (203 mm) de la línea de centros de la grifería. Deje el espacio libre adecuado para dar servicio.

Instale el soporte

NOTA: El soporte de montaje se debe fijar con dos sujetadores adecuados (no se incluyen) de acuerdo al tipo y al grosor del gabinete o del material de la pared.

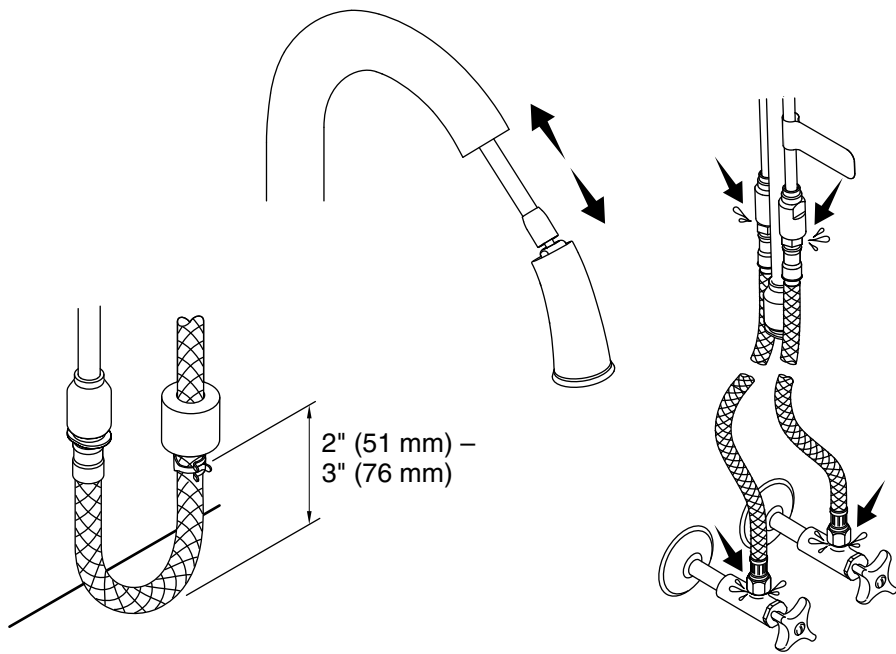
- Fije el soporte de montaje verticalmente con respecto al gabinete o a la pared.

Instale el solenoide y la cubierta

NOTA: El solenoide se puede colocar a la derecha o a la izquierda. Retire la lengüeta correspondiente en la cubierta.

Instale el solenoide (cont.)

- Coloque el solenoide y la cubierta en el soporte de montaje.
- Fije el solenoide y la cubierta al soporte de montaje con los dos tornillos que se incluyen.



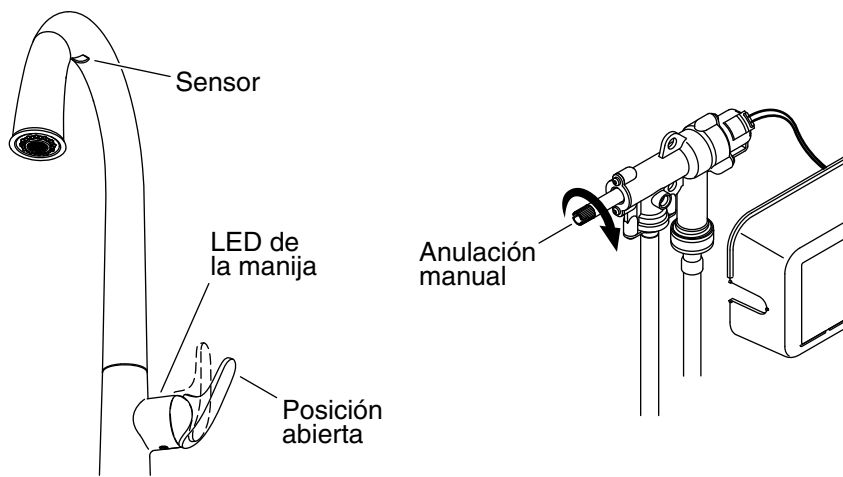
5. Termine de hacer la instalación

Coloque la pesa

- Coloque la pesa de 2" (51 mm) a 3" (76 mm) del piso del gabinete.
- Fije la abrazadera a la manguera del rociador justo debajo de la pesa.
- Saque y retraiga la manguera del rociador para verificar que funcione sin dificultades.

Verifique que no haya fugas

- Asegúrese de que todas las conexiones estén apretadas.
- Abra los suministros de agua, y verifique que no haya fugas en ninguna conexión.
- Compruebe que la grifería funcione correctamente. Consulte la sección "Funcionamiento de la grifería".



Funcionamiento de la grifería

- Gire la manija hacia fuera, a la posición abierta, para abrir el flujo de agua. El diodo (LED) de la manija se ilumina para indicar que el sensor está funcionando.
- Ajuste la manija a la temperatura de agua deseada.
- Pase la mano bajo el surtidor para cerrar el flujo de agua.

NOTA: Algunos objetos transparentes y ciertos colores no son detectables por el sensor. Siempre use la mano para probar el sensor.

- Pase la mano de nuevo bajo el surtidor para volver a abrir el flujo de agua.
- Si es necesario, consulte la sección "Ajuste del LED en la manija" para obtener más información.

NOTA: Durante periodos prolongados sin uso, la manija debe volver a ponerse en la posición cerrada (vertical). El LED en la manija se apaga para indicar que no hay flujo de agua disponible.

NOTA: Los LED verde y amarillo solo quedan visibles desde el interior de la cubierta en el tablero de circuitos.

Indicadores LED

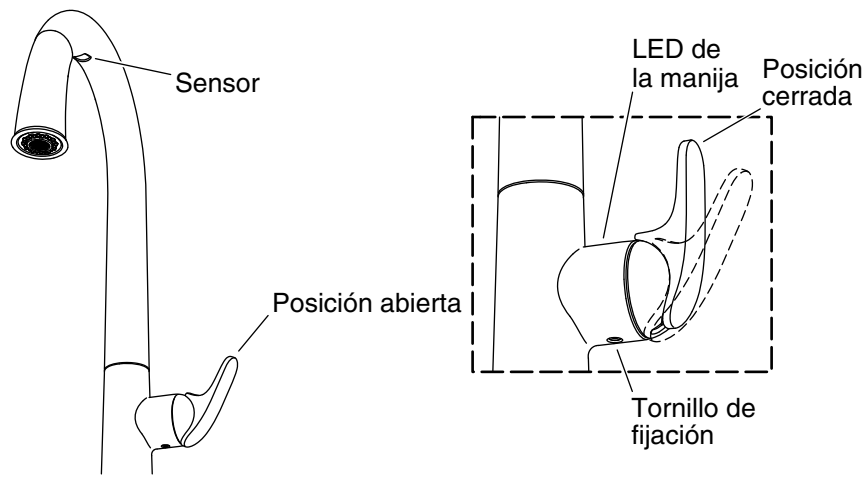
- **LED en la manija:** Se ilumina cuando el sensor está activo.
- **LED verde:** Indica que el tablero de circuitos tiene suministro eléctrico.

Funcionamiento de la grifería (cont.)

- **LED amarillo:** Se ilumina brevemente cuando un objeto ha sido detectado por el sensor.

Características

- **Cierre automático:** Después de 4 minutos de inactividad, el agua se apaga automáticamente.
- **Anulación del sensor:** En el caso de pérdida de suministro eléctrico, es posible anular la función del sensor al activar la función de anulación en la válvula de solenoide. La grifería puede entonces funcionar manualmente.

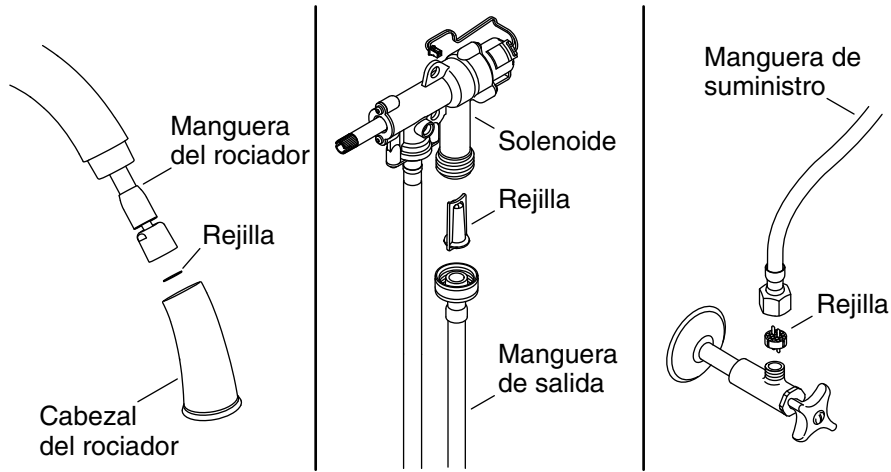


Ajuste del diodo (LED) en la manija

NOTA: El diodo emisor de luz (LED) debe encenderse al girar la manija a la posición abierta, y debe apagarse cuando la manija está en la posición hacia arriba (cerrada). Con una llave hexagonal de 5/64" ajuste el tornillo de fijación de la válvula lo que sea necesario.

¡IMPORTANTE! Al ajustar, no aplique presión hacia arriba al tornillo de fijación de la válvula.

- **El LED se ilumina cuando la manija está cerrada:** Apriete el tornillo de fijación de la válvula hasta que el LED se apague. Luego apriete el tornillo de fijación 1/4 de vuelta adicional.
- **La manija no regresa a la posición vertical:** Afloje el tornillo de fijación de la válvula hasta que la manija gire a la posición vertical (cerrada) y el LED se encienda. Luego apriete el tornillo de fijación hasta que el LED se apague, más 1/4 de vuelta adicional.
- **El agua no se cierra completamente:** Afloje el tornillo de fijación de la válvula hasta que la manija gire a la posición vertical (cerrada) y el LED se encienda. Luego apriete el tornillo de fijación hasta que el LED se apague, más 1/4 de vuelta adicional.



Limpieza de las rejillas

Rejilla de la cabeza del rociador

- Gire la manija a la posición cerrada.
- Quite la tuerca en el extremo de la manguera del rociador.
- Retire y limpie la rejilla que está dentro de la manguera del rociador.
- Vuelva a introducir la rejilla y a conectar el cabezal del rociador.

Rejilla de entrada del solenoide

- Gire la manija a la posición cerrada.
- Desconecte la manguera de salida del solenoide.
- Retire y limpie la rejilla de entrada que está dentro del solenoide.
- Vuelva a introducir la rejilla de entrada y vuelva a conectar la manguera de salida.

Rejilla de la manguera de suministro

- Cierre los suministros de agua.
- Desconecte la manguera de suministro de la llave de paso de suministro.
- Limpie la rejilla que está dentro de la entrada de la manguera.
- Vuelva a conectar la manguera de suministro a la llave de paso.
- Abra los suministros de agua.

Cuidado y limpieza

Para obtener los mejores resultados, tenga presente lo siguiente al limpiar su producto KOHLER:

- Para limpiar utilice solamente detergente suave, como líquido para lavar vajilla y agua tibia. No utilice limpiadores abrasivos que puedan rayar u opacar la superficie.
- Lea atentamente la etiqueta del producto de limpieza para asegurarse de que este producto no represente riesgos al usarse en el material.
- Siempre pruebe la solución de limpieza en un área oculta antes de aplicarla a toda la superficie.
- No deje los limpiadores durante tiempo prolongado en la superficie.
- Limpie con un trapo, y enjuague completa e inmediatamente con agua después de aplicar limpiadores. Enjuague y seque las superficies cercanas que hayan recibido salpicaduras.
- Utilice una esponja humedecida o un paño suave y húmedo. Para limpiar las superficies nunca utilice materiales abrasivos, como cepillos o estropajos de tallar.

Para obtener información detallada de limpieza y de productos a considerar, visite www.kohler.com/clean. Para solicitar información sobre el cuidado y la limpieza, llame al 1-800-456-4537.

Resolución de problemas

PRECAUCIÓN: Riesgo de daños al producto. Este producto tiene componentes electrónicos sensibles. Tenga cuidado de no dañar las clavijas ni los conectores al resolver problemas.

PRECAUCIÓN: Riesgo de daños al producto. No inserte nada que no sea el cable del sensor en el conector del cable del sensor (conector de teléfono) en el tablero de circuitos.

NOTA: Para consultar información sobre piezas de repuesto, visite la página de su producto en www.kohler.com.

Resolución de problemas (cont.)**Resolución de problemas de la grifería**

Síntomas	Causas probables	Acción recomendada
1. No hay flujo de agua.	A. Las llaves de paso están cerradas.	A. Verifique que las llaves de paso estén abiertas.
	B. La manija está en la posición cerrada.	B. Gire la manija a la posición abierta. Consulte la sección "Funcionamiento de la grifería".
	C. La manguera de suministro de agua caliente y/o fría está torcida.	C. Verifique que las mangueras de suministro no estén torcidas. Si las enrolla, mantenga un diámetro interior de 3" (76 mm).
	D. La manguera de salida está torcida.	D. Confirme que la válvula de solenoide quede entre 7" (178 mm) y 8" (203 mm) de la línea central de la grifería.
	E. El LED en la manija no se ilumina.	E. Consulte la sección "Resolución de problemas del interruptor de la manija".
	F. El LED de encendido en el tablero de circuitos no está iluminado.	F. Consulte la sección "Resolución de problemas del sensor".
	G. Por lo menos una rejilla está tapada.	G. Consulte la sección "Limpieza de las rejillas".
2. Poco flujo de agua.	A. Las llaves de paso están parcialmente cerradas.	A. Confirme que las llaves de paso estén completamente abiertas.
	B. La manija está parcialmente cerrada.	B. Gire la manija a la posición completamente abierta.

Resolución de problemas (cont.)

Resolución de problemas de la grifería

Síntomas	Causas probables	Acción recomendada
	C. La manguera de suministro de agua caliente y/o fría está pellizcada o torcida.	C. Verifique que las mangueras de suministro no estén pellizcadas ni torcidas. Si las enrolla, mantenga un diámetro interior de 3" (76 mm).
	D. La manguera de salida está torcida.	D. Confirme que la válvula de solenoide quede entre 7" (178 mm) y 8" (203 mm) de la línea central de la grifería.
	E. Por lo menos una rejilla está tapada.	E. Consulte la sección "Limpieza de las rejillas".
	F. Diafragma con fisuras.	F. Cambie el ensamblaje de la válvula solenoide.
3. Mal patrón de rocío.	A. Las boquillas del rociador están tapadas.	A. Para eliminar las partículas residuales, frote el dedo sobre las boquillas con agua que esté fluyendo.
4. El LED verde de encendido no se ilumina.	A. El tablero de circuitos no recibe suministro eléctrico.	A. Verifique las conexiones del suministro eléctrico al tablero de circuitos.
	B. El cable eléctrico está enchufado a un tomacorriente con interruptor.	B. Enchufe el cable eléctrico a un tomacorriente no conmutado de 120 VCA (pruebe el tomacorriente con un radio o con otro aparato). Verifique que se ilumine el LED del tablero de circuitos.

Resolución de problemas (cont.)		
Resolución de problemas de la grifería		
Síntomas	Causas probables	Acción recomendada
5. Cae un chorrito o gotas de agua cuando la grifería no está siendo usada.	A. La anulación manual está parcialmente activada.	A. Haga girar el dispositivo de anulación manual hacia la derecha hasta que se detenga; luego hágalo girar hacia la izquierda hasta que deje de gotear agua.
Resolución de problemas del solenoide		
Síntomas	Causas probables	Acción recomendada
1. Fuga de agua de la válvula de solenoide.	A. Las conexiones de la manguera no están fijadas.	A. PRECAUCIÓN: Riesgo de lesiones personales o daños al producto. Desconecte la energía eléctrica principal y cierre el suministro de agua. Revise todas las conexiones. Haga los ajustes necesarios.
	B. Fuga interna.	B. Cambie el ensamblaje de la válvula solenoide.
2. No se escucha un chasquido cuando se activa el solenoide.	A. Conexión suelta del cable del solenoide.	A. Revise las conexiones del cable del solenoide al tablero de circuitos.
	B. La válvula de solenoide no funciona.	B. Cambie el ensamblaje de la válvula solenoide.
Resolución de problemas del interruptor de la manija		
Síntomas	Causas probables	Acción recomendada
1. El LED en la manija se ilumina cuando la manija está cerrada.	A. Es necesario ajustar el tornillo de fijación de la válvula.	A. Consulte la sección "Ajuste del LED en la manija".

Resolución de problemas (cont.)

Resolución de problemas del interruptor de la manija

Síntomas	Causas probables	Acción recomendada
2. La manija no regresa a la posición vertical.	A. Es necesario ajustar el tornillo de fijación de la válvula.	A. Consulte la sección "Ajuste del LED en la manija".
3. El agua no cierra por completo.	A. Es necesario ajustar el tornillo de fijación de la válvula.	A. Consulte la sección "Ajuste del LED en la manija".
4. El LED en la manija no se ilumina cuando la manija se gira a la posición abierta.	A. La conexión del cable del interruptor de la manija está suelta.	A. Revise la conexión del cable del interruptor de la manija al tablero de circuitos.
	B. El tablero de circuitos no funciona correctamente.	B. Cambie el ensamblaje de la cubierta.

Resolución de problemas del sensor

Síntomas	Causas probables	Acción recomendada
1. Funcionamiento intermitente del sensor.	A. Suciedad en la lente del sensor.	A. Elimine con cuidado la suciedad de la lente del sensor con una solución ligera de agua y jabón.
	B. El sensor detecta vapor.	B. Gire el surtidor para alejarlo del vapor.
2. El LED amarillo en el tablero de circuitos no se ilumina brevemente cuando hay un objeto frente al sensor.	A. El objeto es transparente o de un color no detectable por el sensor.	A. Pruebe el sensor con la mano.
	B. Suciedad en el conector del cable del sensor.	B. En el tablero de circuitos con cuidado desconecte, limpie y vuelva a conectar el conector del cable del sensor.

Resolución de problemas (cont.)

Resolución de problemas del sensor

Síntomas	Causas probables	Acción recomendada
	C. Es necesario restablecer el sistema.	C. Para restablecer el suministro eléctrico desconecte el cable de suministro eléctrico, espere 10 segundos y vuelva a conectarlo.
	D. El tablero de circuitos no funciona.	D. Cambie el ensamblaje de la cubierta.

Garantía limitada de cinco años

GARANTÍA LIMITADA DE CINCO AÑOS de griferías, válvulas y controles electrónicos KOHLER®

Kohler Co. garantiza las griferías, las válvulas y los controles electrónicos contra defectos de material y mano de obra durante el uso normal residencial, durante cinco años a partir de la fecha de instalación del producto. Esta garantía se aplica solamente a la grifería, las válvulas y los controles electrónicos instalados en Estados Unidos de América, Canadá y México ("Norteamérica").

Si se encuentra un defecto durante el uso residencial normal, Kohler Co., a su criterio, reparará, proveerá una pieza de repuesto o un producto, o realizará los ajustes pertinentes en los casos en que la inspección realizada por Kohler Co. determine dicho defecto. Esta garantía no cubre daños causados por accidente, abuso o uso indebido. El cuidado y la limpieza indebidos anulan la garantía*. Al presentar las reclamaciones de garantía a Kohler Co. es necesario incluir el comprobante de compra (recibo de venta original). Kohler Co. no se hace responsable de costos de mano de obra, instalación u otros costos incidentales o indirectos, aparte de los mencionados arriba. En ningún caso la responsabilidad de Kohler Co. excederá el precio de compra de la grifería, la válvula o el control.

Si las griferías, las válvulas o los controles electrónicos se utilizan comercialmente o si se instalan fuera del territorio de Norteamérica, Kohler Co. garantiza que la grifería, la válvula o el control está libre de defectos de material y mano de obra durante un (1) año, a partir de la fecha de instalación, estando en efecto todas las demás condiciones de esta garantía, excepto la duración.

Si usted considera que tiene una reclamación en virtud de la garantía,

Garantía limitada de cinco años (cont.)

comuníquese con su centro de remodelación, distribuidor, contratista de plomería o distribuidor por Internet. Asegúrese de proporcionar toda la información pertinente a su reclamación, incluida una descripción completa del problema, el producto, el número de modelo, la fecha de compra del producto, el lugar de compra del producto, y la fecha de instalación. También incluya el recibo original. Para obtener información adicional, o para el nombre y la dirección del lugar de reparación y servicio más cercano a usted, escriba a Kohler Co., Atención: Customer Care Center, Kohler, Wisconsin 53044 USA, o llame al 1-800-4-KOHLER (1-800-456-4537) desde los EE.UU. y Canadá, y al 001-800-456-4537 desde México, o visite www.kohler.com desde los EE.UU., www.ca.kohler.com desde Canadá, o www.mx.kohler.com en México.

LAS GARANTÍAS ANTERIORMENTE MENCIONADAS SUSTITUYEN A TODAS LAS DEMÁS GARANTÍAS, EXPRESAS O IMPLÍCITAS, INCLUIDAS, ENTRE OTRAS, LAS GARANTÍAS IMPLÍCITAS DE COMERCIALIZACIÓN E IDONEIDAD PARA UN USO DETERMINADO.

KOHLER CO. Y/O EL VENDEDOR DESCARGAN TODA RESPONSABILIDAD POR CONCEPTO DE DAÑOS PARTICULARES, INCIDENTALES O INDIRECTOS. Algunos estados/provincias no permiten limitaciones en cuanto a la duración de una garantía implícita o a la exclusión o limitación de dichos daños, por lo que es posible que estas limitaciones y exclusiones no se apliquen a su caso. Esta garantía otorga al consumidor ciertos derechos legales específicos. Además, usted puede tener otros derechos que varían de estado a estado y de provincia a provincia. Esta garantía está destinada únicamente para el comprador consumidor original y excluye todo daño al producto como resultado de errores de instalación, abuso del producto o uso indebido del mismo, bien sea por parte de un contratista, de una compañía de servicios o del consumidor mismo.

Esta es la garantía exclusiva por escrito de Kohler Co.

***Nunca utilice limpiadores que contengan abrasivos, amoníaco, blanqueador, ácidos, ceras, alcohol, disolventes u otros productos no recomendados para el cromo. Esto anula la garantía.**

USA/Canada: 1-800-4KOHLER

México: 001-800-456-4537

kohler.com

THE BOLD LOOK
OF **KOHLER**®

©2017 Kohler Co.

1276182-2-A