

# Installation and Care Guide

## Bath with Airjets with Heated Surface

Retain serial number for reference:  
Conserver le numéro de série pour référence:  
Guarde el número de serie para referencia: \_\_\_\_\_  
Français, page "Français-1"  
Español, página "Español-1"

THE BOLD LOOK  
OF **KOHLER**®

# Installation Instructions



**WARNING:** When using electrical products, basic precautions should always be followed, including the following:



**WARNING: Risk of electric shock.** Connect only to a circuit protected by a Ground-Fault Circuit-Interrupter (GFCI)\*.

Building materials and wiring should be routed away from the blower body and other heat-producing components of the unit.

Install to permit access for servicing.

A pressure wire connector marked "Earth/Ground" is provided within the wiring compartment. To reduce the risk of electric shock, connect this connector to the grounding terminal of your electric service or supply panel with copper wire equivalent in size to the circuit conductor supplying this equipment.

Pressure wire connectors are provided on the exterior of the junction box or control within this unit to permit connection of a bonding conductor between this unit and all other exposed metal in the vicinity, as needed to comply with local requirements.

An equipment grounding terminal is provided in the field wiring compartment. To reduce the risk of electric shock, this terminal must be connected to the grounding means provided in the electric supply panel with a conductor equivalent in size to the circuit conductors supplying this equipment.

**Grounding is required.** The unit should be installed by a qualified service representative, and grounded.



**WARNING: Risk of injury or property damage.** Please read all instructions thoroughly before beginning installation.



**WARNING: Risk of electric shock.** A qualified electrician should make all electrical connections.



**WARNING: Risk of electric shock.** Disconnect power before servicing.

**NOTICE: Follow all local plumbing and electrical codes.** In Canada, install this unit in accordance with the Canadian Electrical Code, Part 1.

\*Outside North America, this device may be known as a Residual Current Device (RCD).

## Product Information

### Electrical Requirements

The installation must have a Class A Ground-Fault Circuit-Interrupter (GFCI)\*. The GFCI protects against line-to-ground shock hazards. **Use a 220 - 240 V, 20A, 50/60 Hz dedicated service for the bath.**

\*Outside North America, this device may be known as a Residual Current Device (RCD).

### Product Notices



**WARNING: Risk of personal injury or property damage.** Unauthorized modification may cause unsafe operation or affect performance of the bath. Do not relocate the blower motor, or make other modifications to the bath system in the absence of kit or other published instructions, as this could adversely affect the performance and safe operation of the product. Kohler Co. shall not be liable under its warranty or otherwise for personal injury or damage caused by any such unauthorized modification. Refer to the "Prepare the Blower - Remote Site" section for blower motor relocation requirements, recommendations, and section coverage information.

**NOTICE:** Custom installation is required for both drop-in and flanged models.

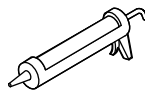
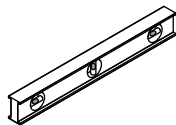
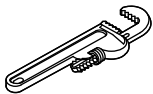
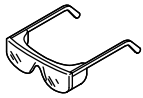
## Product Information (cont.)

**NOTICE:** Keep the area around the blower motor clean and free of sawdust, insulation, dirt, or other small loose debris. Such material could plug the blower motor air intake and reduce the air flow through the blower.

## Features

Factory assembled components include a blower motor, air harness, control, butterfly valves, chromatherapy lights (certain models), electrical harnesses, an illuminated user keypad, a heated surface component, user keypad, and keypad cable. Other than power wiring and plumbing connections, no assembly is required.

## Tools and Materials



### Plus:

- Conventional Woodworking Tools and Materials
- Drop Cloth
- Construction Adhesive (Optional)
- Cement\* or Mortar (Optional)
- 2x4s

\* Do not use gypsum cement.

100% Silicone Sealant

## Prepare the Blower (Remote Site)

**NOTE:** This bath can be installed as received or with the blower motor relocated to another location. Refer to the appropriate sections throughout this manual for instructions related to your particular installation. **Read this section before relocating your blower.**

**IMPORTANT!** Do not relocate or alter the PVC tee or coiled flexible tubing connected to the blower. Follow the blower relocation instructions exactly.

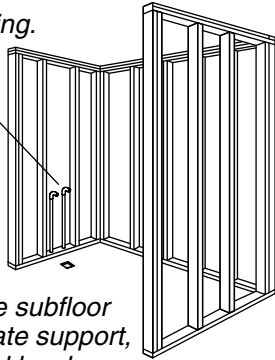
- All material needed for the relocation of the blower motor must be supplied by the installer.
- Additional tools and materials you will need to relocate the blower motor:
  - Electrician pliers
  - Assorted screwdrivers
  - Adjustable wrench
  - Drill and bits to install the blower mounting fasteners
  - 18 AWG non-metallic sheathed cable, two conductors with ground, with support clips, as required
  - One 4" (102 mm) x 2" (51 mm) electrical junction box with cover, gasket, and mounting screws
  - Three strain reliefs - one must fit the blower motor cover with standard National Pipe Thread (NPT) threads. The other two must fit the holes in the new junction box.
  - Six wire connectors (wire nuts or equivalent)
  - 1-1/2" PVC or other rigid pipe with fittings, unions, PVC cement (or equivalent fastening method), and support clips, as required
  - Four fasteners (such as flathead wood screws or concrete anchors) to secure the blower motor

### **Prepare the Blower (Remote Site) (cont.)**

- Solid copper 8-gauge bonding wire, 36" (914 mm)
- Relocate the blower as close as possible to the bath to maximize performance. Do not relocate the blower more than 15' (4.5 m) from the bath.
- Position the blower 1-1/2" (38 mm) above the floor. Do not mount the blower motor with the blower motor discharge pointing up.
- Use 1-1/2" PVC or equivalent rigid piping.
- The piping installation must meet the requirements of local plumbing or building codes. Ensure that the installation does not reduce the fire rating of any walls. Piping must be supported at intervals along the length in accordance with local codes.
- Ensure that the blower motor location is clean and free of dust or debris.
- Install an access panel for blower motor maintenance.
- The 18 AWG minimum power cable to the blower motor must meet the requirements of all applicable electrical or building codes. Ensure that the installation does not reduce the fire rating of any walls.
- The power cord must be supported at intervals along its length in accordance with local codes. Power cords must not rest on surfaces or floors that are subject to flooding.

### Alcove

Position the rough plumbing.

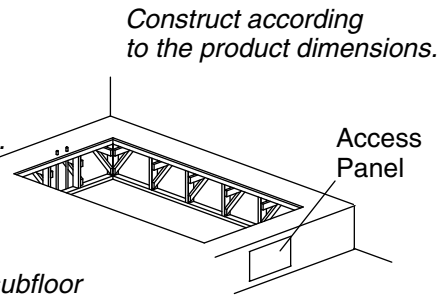


Construct 2x4 stud framing according to the product dimensions.

Verify that the subfloor offers adequate support, and is flat and level.

### Drop-In

Position the rough plumbing.



Construct according to the product dimensions.

Verify that the subfloor offers adequate support, and is flat and level.

## 1. Prepare the Site

**NOTICE:** Measure your product for site preparation. Note the **model number** located on the blower, then visit the product page at [www.kohler.com](http://www.kohler.com) for more information.

**NOTICE:** Provide adequate ventilation and a minimum 15 cubic feet (.4 cubic meters) of air space in the installed location for cooling the motor and to supply sufficient air for the blower. Do not install the blower motor closer than 1" (25 mm) from the wall or other objects.

**NOTICE: Provide generous, unrestricted access to the blower.** You must provide access for servicing the blower and controls. The access must be located immediately next to the blower.

**NOTICE:** Do not lift the bath by the piping or blower, or use the piping or blower for structural support of the bath. To avoid damage to the bath, lift at the sides of the bath.

**NOTICE:** Do not support the weight of the bath by the rim. Allow for a 1/16" (2 mm) gap between the finished material and the underside of the bath rim.

**NOTICE:** Ensure adequate clearance for faucets and valves.

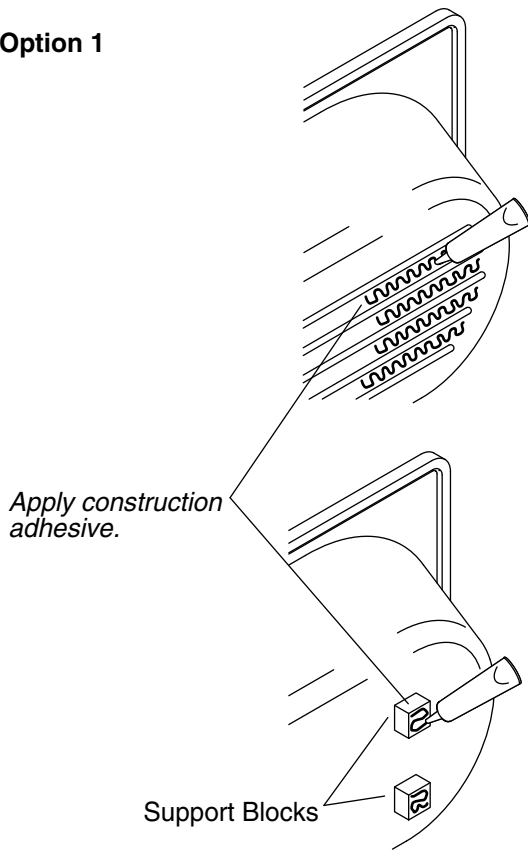
**NOTICE:** Allow at least 2" (51 mm) clearance between the edge of the bath rim and the finished wall.

**NOTICE:** For under-mount installation, go to [www.kohler.com](http://www.kohler.com) for information on the optional under-mount kit for your bath model. Follow the installation instructions included with the under-mount kit.

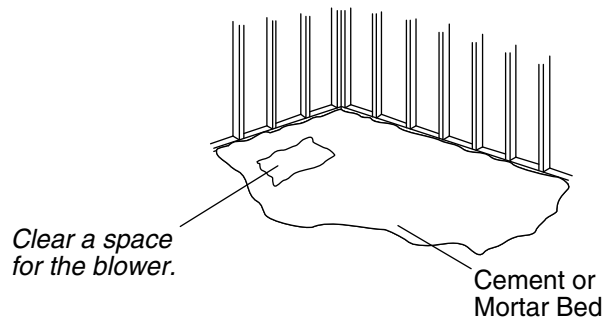
**NOTE:** Drop-in, alcove, under-mount, or corner installation is possible, depending on the product chosen.

- Carefully unpack and inspect the new bath for damage before installation. If there is damage do not install the bath; contact your dealer.
- Make sure the flooring offers adequate support for your bath, and verify that the subfloor is flat and level.
- Construct 2x4 stud framing.
- Install an access panel for servicing the blower and heated surface feature. The access panel must be at least 30" (762 mm) wide by 15" (381 mm) high.
- Install the rough plumbing.
- Install the drain to the bath according to the drain manufacturer's instructions.
- Protect the bath surface by positioning a clean drop cloth in the basin bottom.

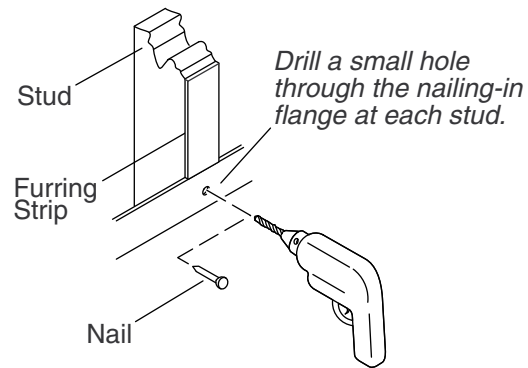
### Option 1



### Option 2



### Three Wall Alcove or Corner Installations



## 2. Install the Bath

**NOTICE:** Do not lift the bath by the piping or blower, or use the piping or blower for structural support of the bath. To avoid damage to the bath, lift by the rim at the sides of the bath.

- If the subfloor is not level, shim the bath support blocks or molded supports as necessary.

### Option 1: Install Using Construction Adhesive

**NOTE:** Some models come with support blocks; some models have molded supports.

- Apply a generous amount of high-quality construction adhesive to the bottom of the support blocks or molded supports. With help, carefully lift the bath into position.

### Option 2: Using a Cement or Mortar Bed

**NOTE:** Do not use gypsum cement or drywall compound for this application, as they will not provide an acceptable, durable bond.

- Set the bath in 1" (25 mm) to 2" (51 mm) of mortar cement.

### Secure the Nailing-in Flanges (Alcove Units)

- Drill a small pilot hole through the nailing-in flange at each stud. Add shims as needed.
- Use large-head galvanized nails to secure the nailing-in flange to the studs.
- Nail 1/4" (6 mm) thick furring strips to the studs.

### Install the Plumbing

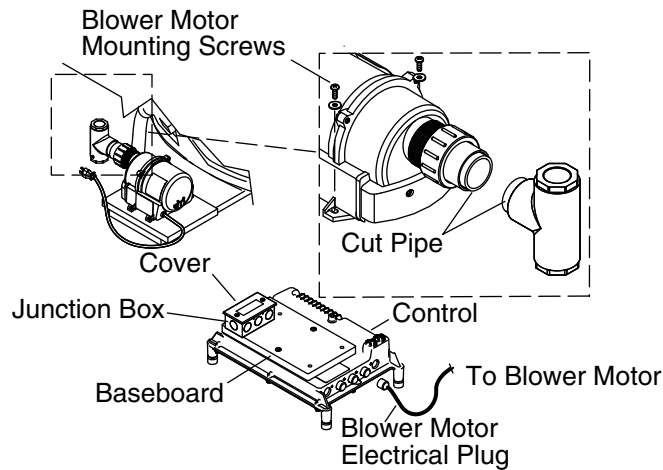
- Insert the drain tailpiece into the trap. Secure the drain tailpiece to the trap.

### **Install the Bath (cont.)**

- Install the faucet valve.
- Check the drain connections for leakage.







## 4. Disconnect the Blower Motor - Remote

**NOTICE:** This section applies only to installations in which the blower motor is being relocated.

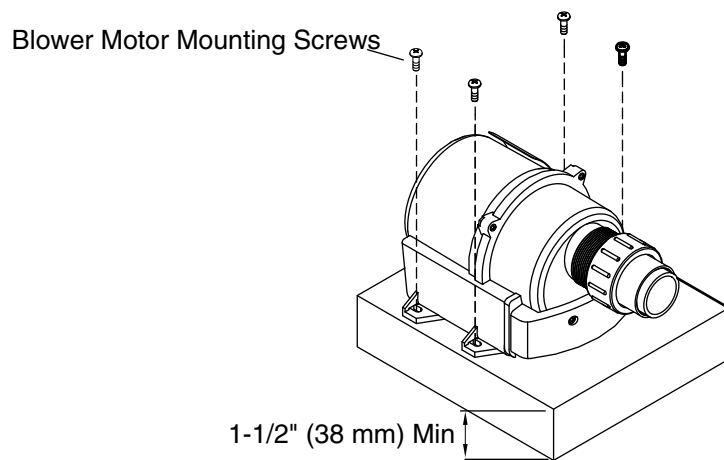
### Remove the Blower Motor

- Disconnect the blower motor electrical plug from the control.
- Remove any cable ties that support the blower motor cord.
- Cut the PVC tube between the tee and the blower.
- Remove and retain the four screws from the baseboard.
- Remove the blower motor from the bath.

### Prepare the Site

**NOTE:** Refer to the "Prepare the Blower - Remote Site" section for blower relocation details.

- Prepare the site where the blower motor will be installed. The site must be within 15' (4.5 m) of the bath.
- Install an access panel to service the blower motor.
- Prepare the routing paths for the PVC piping and the new blower motor power cable. Follow all applicable codes.

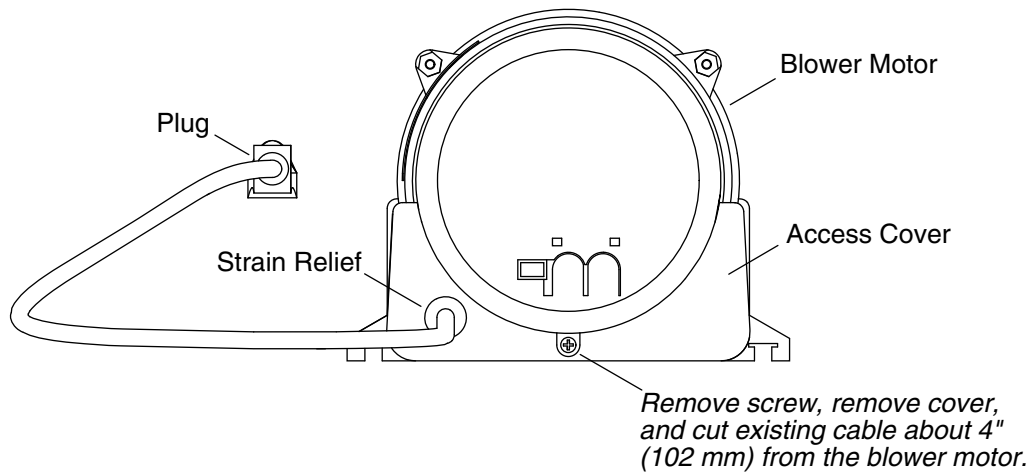


## 5. Mount the Blower Motor - Remote

**NOTE:** The blower motor must be mounted horizontally 1-1/2" (38 mm) above the floor. Do not mount the blower motor with the discharge pointing up.

**NOTE:** Refer to the "Prepare the Blower - Remote Site" section for other requirements for the blower motor relocation.

- At the new blower motor location, install a 1-1/2" (38 mm) high block (not supplied) to support the blower motor.
- Install and support PVC or other 1-1/2" rigid piping (not supplied) between the blower motor location and the air harness.
- Connect the new piping to the existing air harness without modifying the air harness. Align the new pipe and secure the connection with PVC cement. **Allow the PVC cement to cure according to the manufacturer's instructions.**
- Position the motor on the support block.
- Fasten the blower motor to the new support block with the mounting screws previously retained.



## 6. Terminate the Cable at the Blower - Remote

### Route the Power Cable

- Route 18 AWG or equivalent power cable (two conductors with ground) between the bath and blower. Support and protect the cable. Follow local electrical codes.

### Prepare the Blower for Remote Installation

- Remove and retain the access cover screw from the back of the blower motor. As you are loosening the screw, check periodically if the cover can be slid back on the electrical cable.

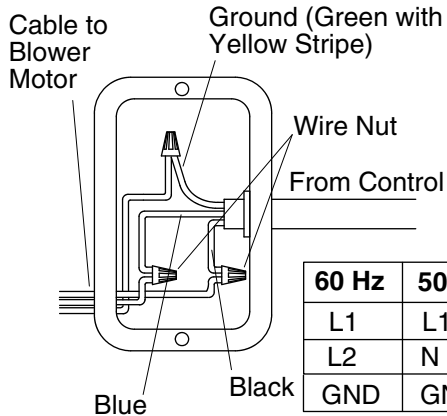
**IMPORTANT!** It is critical that the same wire combinations be maintained.

- Mark the wires so they can be reconnected exactly the same.
- When the cover is loose, use electrician pliers or equivalent to cut the electrical cable at the crimped terminals.
- Pull the free end of the electrical cord through the cover, insert, and strain relief nut.
- Discard the existing strain relief nut and insert.
- Reconnect the blower motor plug to the control.
- Install a standard NPT threaded strain relief to the blower motor cover.

### Connect the New Power Cable at the Blower Motor

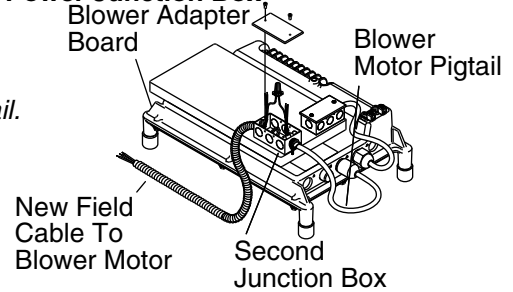
- Using a wire nut, cap off the unused brown conductor in the cable jacket.
- **USA:** Mark the white conductors with red or black tape as required by the National Electric Code.
- Route the new power cable leads through the blower motor access cover and strain relief.
- Using wire nuts or other approved termination methods, terminate the conductors as follows:
  - Connect the black and white wires to the L1 conductor of the power cable.
  - Connect the tan and white wires to the L2 or N conductor of the power cable.
  - Connect the green with yellow stripe pigtail lead to the power cable ground conductor.
- Reinstall the access cover on the blower motor using the screw previously removed.
- Tighten the strain relief on the power cable at the blower motor.
- Remove any dust or debris from the blower motor area.

### Second Junction Box



Strip back the jackets about 3" (76 mm) on the field cable and on the blower motor pigtail.

### Control Power Junction Box



Route the cut end of the cord to the new junction box. Add strain relief. Install junction box with cover and bonding lug (not provided).

60 Hz	50 Hz	From Control
L1	L1	Black
L2	N	Blue
GND	GND	Green w/Yellow Stripe

## 7. Install the Blower Cord at the Control - Remote

### Install the Second Junction Box on the Control

- Install a second junction box with external bonding lug, two strain reliefs, and a cover (not supplied) on the blower adapter board on the control.
- Connect a solid copper 8-gauge bonding wire from the bonding lug on the new junction box to the spare bonding lug on the control. Follow all local electrical codes.

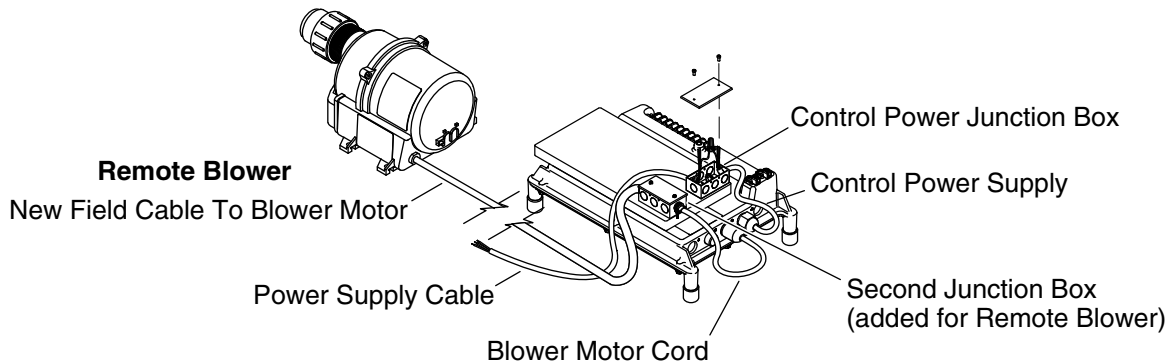
### Reconnect the Blower Motor Power Cord

- If required, reconnect the blower motor power cord at the control.
- Route the blower motor power cord through a strain relief on the second junction box. Tighten the strain relief.
- At the end of the cut power cord, strip back the cable jacket about 3" (76 mm).
- Strip about 3/8" (10 mm) of wire insulation from the remaining control wires.

### Reconnect the Blower New Power Cable

- Route the customer-supplied power cable from the blower through the other strain relief on the second junction box. Tighten the strain relief.
- Strip back the cable jacket about 3" (76 mm).
- For installations in the USA, mark the white wire with either red or black electrical tape as required by the National Electric Code.
- Use approved termination devices to terminate the conductors as follows:
  - Connect the black pigtail lead to the L1 conductor of the power cable.
  - Connect the blue pigtail lead to the L2 or N conductor of the power cable.
  - Connect the green with yellow stripe pigtail lead to the grounding or earthing conductor of the power cable.
- Install the cover on the new junction box.

## Typical Remote Blower Installation



### 8. Make Power Connections - Remote



**WARNING: Risk of electric shock.** To reduce the risk of electric shock, connect the control to a properly grounded Ground-Fault Circuit-Interrupter (GFCI) or Residual Current Device (RCD). This will provide additional protection against line-to-ground shock hazard. A dedicated 220-240 V, 20 A, 50/60 Hz circuit is required.



**WARNING: Risk of electric shock.** Make sure the power has been disconnected before performing the following procedures.

- Ensure that the control power supply cord is properly routed to the control power junction box. The control power supply cord contains a brown wire (Line 1), a blue wire (Line 2), and a green wire with a yellow stripe (ground or earth).
- Install a strain relief (not provided) for the power supply cable to the control power junction box.
- Route the power supply cable to the control power junction box.
- As required, strip the jacket and wire insulation on both cables to make the connections.
- For installations in the USA, mark any white conductor in the supply power wiring with red or black tape as required by the National Electric Code.
- Connect service to the control power junction box.
- Provide a separate equipment earthing or grounding conductor to the spare earth/ground lug located on the control power junction box. This conductor **must not** be connected to any current-carrying conductor. Follow local electrical codes.
- Bond in accordance with national and local codes.
- Clean the area of all dust and debris.
- All wiring harnesses have been pre-wired at the factory. Ensure that all wires are securely fastened.

**NOTE:** Your wiring harness includes an antenna for the optional remote control. Do not alter or damage this antenna during installation.

### 9. Complete the Installation

#### Test Run the Bath

- Operate the heated surface user keypad to test the temperature settings.
- Fill the bath to a level at least 4" (102 mm) above the top of the highest airjet.
- Turn off the bath and let sit for five minutes. Check all bath piping connections for leaks. Check for leakage along the front, sides, and back of the bath.

### Complete the Installation (cont.)

- Turn on the blower and run for 5 minutes. Check for proper operation and function.
- For additional information on bath and heated surface operation, see the "Operating Instructions - Heated Surface" and "Operating Instructions - Bath" sections.

### Finish the Installation

- Install water-resistant wallboard and all finished wall, deck, and floor materials. Ensure a 1/16" (2 mm) gap between the bath rim and the finished material.
- Apply silicone sealant to seal all areas where the bath and finished wall or deck meet.
- Install the faucet trim.

### Clean-up After Installation

- When cleaning up after installation, **do not use abrasive cleansers**, as they may scratch and dull the bath surface. Use warm water and a liquid detergent to clean the surface of the bath.
- Remove stubborn stains or paint with turpentine or paint thinner. **Do not allow cleaners containing petroleum distillates to remain in contact with any bath surface for long periods of time.** Remove plaster by carefully scraping with a wood edge. Do not use metal scrapers, wire brushes, or other metal tools. Use a powder-type detergent on a damp cloth to provide mild abrasive action to any residual plaster.

## Important Safety Instructions

### READ AND FOLLOW ALL INSTRUCTIONS

### SAVE THESE INSTRUCTIONS

#### INSTRUCTIONS PERTAINING TO A RISK OF FIRE, ELECTRIC SHOCK, OR INJURY TO PERSONS



**WARNING:** When using electrical products, basic precautions should always be followed, including the following:



**DANGER:** Risk of accidental injury or drowning. To reduce the risk of injury, do not permit children to use this unit unless they are closely supervised at all times.



**WARNING:** Risk of personal injury. To avoid injury, exercise care when entering or exiting the bath.



**WARNING:** Risk of electric shock. Do not permit electric appliances (such as a hair dryer, lamp, telephone, radio, or television) within 5' (1.5 m) of this bath.



**WARNING:** The use of alcohol, drugs, or medication can greatly increase the risk of fatal hyperthermia. Prolonged immersion in hot water may induce hyperthermia. Hyperthermia occurs when the internal temperature of the body reaches a level several degrees above the normal body temperature of 98.6°F (37°C). The symptoms of hyperthermia include an increase in the internal temperature of the body, dizziness, lethargy, drowsiness, and fainting. The effects of hyperthermia include: (a) failure to perceive heat, (b) failure to recognize the need to exit the bath, (c) unawareness of impending hazard, (d) fetal damage in pregnant women, (e) physical inability to exit the bath, and (f) unconsciousness resulting in the danger of drowning.



**WARNING:** Risk of fetal injury. Pregnant or possibly pregnant women should consult a physician before using the bath.



**WARNING:** Risk of hyperthermia or drowning. Do not use the bath immediately following strenuous exercise.

## Important Safety Instructions (cont.)



**WARNING: Risk of hyperthermia or drowning.** Water temperature in excess of 100°F (38°C) may cause injury. Test and adjust the water temperature before use.



**WARNING: Risk of personal injury.** Never drop or insert any object into any opening.

Use this bath only for its intended purpose as described in this guide. Do not use attachments not recommended by Kohler Co.

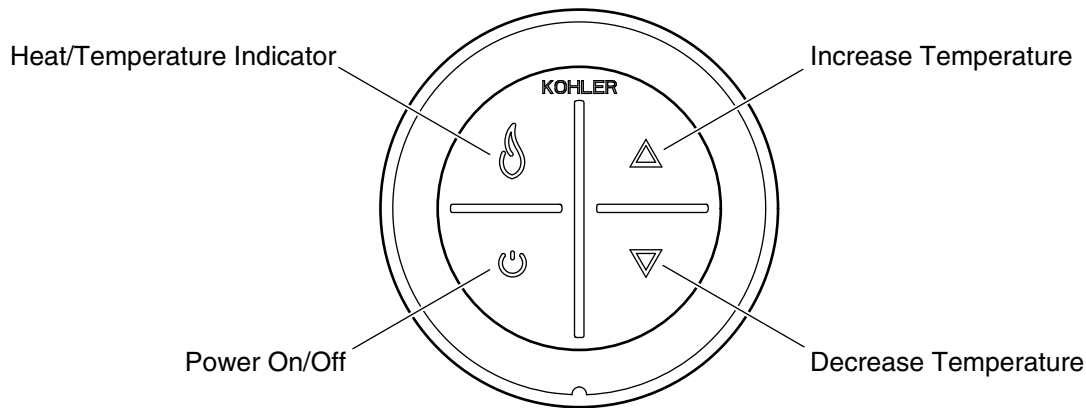
The bath must be connected only to a supply circuit that is protected by a Ground-Fault Circuit-Interrupter (GFCI)\*. Such a GFCI should be provided by the installer and should be tested on a routine basis. To test the GFCI, press the test button. The GFCI should interrupt power. Press the reset button. Power should be restored. If the GFCI fails to operate in this manner, the GFCI is defective. If the GFCI interrupts power to the bath without the test button being pressed, a ground current is flowing, indicating the possibility of an electric shock. Do not use this bath. Disconnect the bath and have the problem corrected by a qualified service representative before using.

Flush your whirlpool system twice a month or more depending upon usage, as described in the "Flush the System" section of this guide.

Repeated use of personal care products containing oils can damage plastic whirlpool components. Avoid using bath oils.

Whirlpool hydro-massage action can cause even a small amount of bubble bath, bath soap, shampoo, or bath oil to foam excessively. For this reason, please do not use these products during whirlpool operation.

\* Outside North America, this device may be known as a Residual Current Device (RCD).



## Operating Instructions - Heated Surface

### Keypad Operation

- **Power Icon** - Turns the heater on and off.
- **Heat/Temperature Indicator** - The [Flame] icon illuminates yellow, orange, or red depending on the heat level. Yellow indicates low heat, orange indicates medium heat, and red indicates high heat.
- **Up Arrow** - Increases the temperature.
- **Down Arrow** - Decreases the temperature.

**NOTICE:** The heater will remain on until it is manually turned off by pressing the [Power] icon.

**NOTE:** After 60 minutes of inactivity, the heater will automatically reset to low heat if the temperature was set to medium or high. The heater will remain on at low heat until it is manually adjusted or turned off.

**NOTE:** The heater will turn on at the last selected temperature setting.

### Error Codes

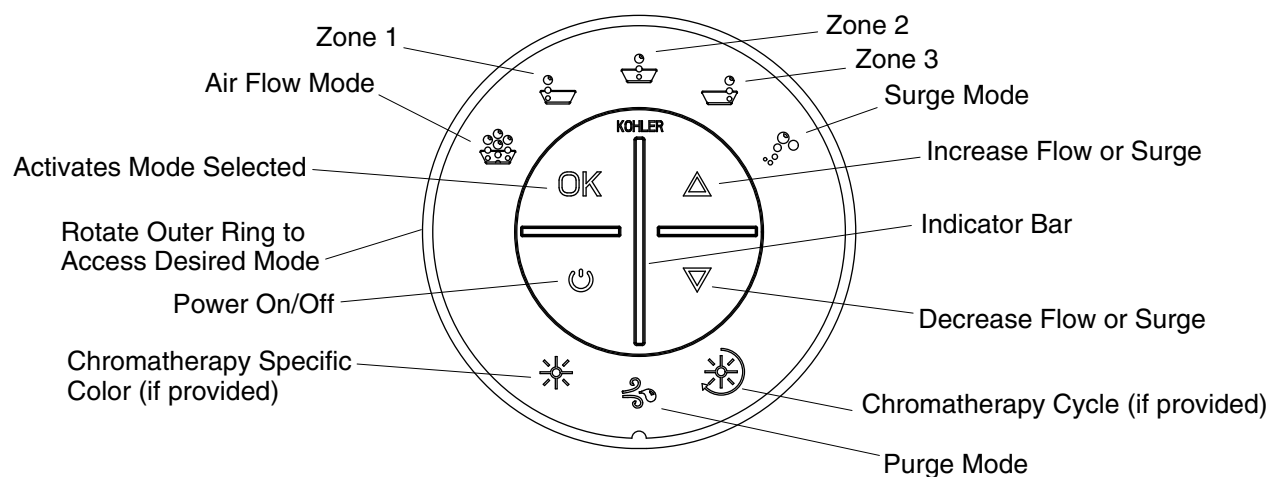
- **Heat indicator blinking red** - The heater is not functioning.
- **Heat indicator blinking yellow** - The temperature sensor is not functioning or is loose.
- Refer to the "Troubleshooting" section to troubleshoot any problems.

### Confirm Heated Surface Operation

**NOTICE:** When testing the heated surface functions, allow 5 to 10 minutes to begin feeling heat on the end wall.

- Press the [Power] icon on the user keypad.
- Observe that the heat indicator turns yellow and the heater produces low heat.
- Press the [Up] arrow. Verify that the heat indicator turns orange and the temperature increases.
- Press the [Up] arrow a second time. Verify that the heat indicator turns red and the temperature increases.
- Press the [Down] arrow. Verify that the heat indicator turns orange and the temperature decreases.
- Press the [Down] arrow a second time. Verify that the heat indicator turns yellow and the temperature decreases.
- Press the [Power] icon to turn the heater OFF.





## Operating Instructions - Bath

**NOTE:** If the unit does not function properly, please refer to the “Troubleshooting” section.

### Start the Unit

- Fill the bath at least 4” (102 mm) above the top of the airjets.
- Use your hand to test the water temperature before entering the bath.
- Press the power icon on the user keypad to start the air system.
- Adjust the air flow rate by pressing the up or down icon.

### Select an Air Flow Mode

- Rotate the outer ring on the keypad to select a mode.
- Press the “OK” icon to activate the mode.
- To turn a mode off, rotate the outer ring until the icon flashes green, then press the “OK” icon.
- The icon will turn blue, indicating the mode is off.

### Stop the Bath

- Press the power icon to turn the air system off.
- Press the power icon to turn the air system off.

### Manual Purge Cycle (Optional)

**NOTE:** Follow these steps to manually purge residual water from the air system.

- After stopping the air system and draining the bath, rotate the outer ring to the purge icon.
- When the purge icon flashes blue, press the “OK” icon.
- The purge icon flashes green as the manual purge begins. The air system operates at low speed to blow residual water out of the air harness.
- After 2 minutes, the air system stops automatically.

## Care and Cleaning

For best results, keep the following in mind when caring for your KOHLER bath with airjets:

- Always test your cleaning solution on an inconspicuous area before applying to the entire surface.
- Wipe surfaces clean and rinse completely with water immediately after applying cleaner. Rinse and dry any overspray that lands on nearby surfaces.

## Care and Cleaning (cont.)

- Do not allow cleaners to soak on surfaces.
- Use a soft, dampened sponge or cloth. Never use an abrasive material such as a brush or scouring pad to clean surfaces.
- The ideal cleaning technique is to rinse thoroughly and blot dry any water from the surface after each use.
- Use a soft nylon brush on slip-resistant surfaces. Be sure to use a water-soluble cleaner (dissolves 100% in water).
- **Do not use powdered cleaners unless the cleaner is fully dissolved in water.** Solid substances can block the airjets.
- **Do not use full strength bleach or ammonia cleaning solutions.** Chemically active cleaning solutions can damage the surface.
- **Do not use abrasive cleansers or solvents on airjet surfaces.** Abrasive cleaners and solvents can damage the airjet surface.

## Maintaining the Airjets

- If cleaning the airjets is necessary due to hard water deposits, wet a soft, non-abrasive cloth with white vinegar and wipe the plugged airjet holes. Immediately rinse the area with clean water to avoid long-term exposure of the vinegar to the airjet surface.
- Fill the bath with water to the top row of airjets. Drain the bath and press the purge button.

## Cleaning Your User Keypad and Remote Control

- Use a soft cloth to wipe the keypad and remote control after each use. If the surface becomes dirty, use a non-abrasive soap and warm water to clean.

For detailed cleaning information and products to consider, visit [www.kohler.com/clean](http://www.kohler.com/clean). To order Care & Cleaning information, call 1-800-456-4537.

## Troubleshooting

**NOTICE:** This section is for general aid only. A Kohler Co. Authorized Service Representative or qualified electrician should correct any electrical problems. For warranty service, call 1-800-4KOHLEER from within the USA and Canada, or 001-800-456-4537 from within Mexico.

**NOTE:** The product model number is printed on a label on the blower side of the bath.

**NOTE:** For service parts information, visit your product page at [www.kohler.com/serviceparts](http://www.kohler.com/serviceparts).

### Bath System

Symptoms	Probable Causes	Recommended Action
1. Blower user keypad does not illuminate when Power icon is pressed or the outer ring is rotated.	A. No power to control.	A. Check wiring and connect power.
	B. Ground-Fault Circuit-Interrupter (GFCI) or Residual Current Device (RCD) tripped.	B. Reset GFCI or RCD. If it trips again, refer to "Ground-Fault Circuit-Interrupter (GFCI) or Residual Current Device (RCD) trips when bath is turned on."
	C. Wiring harness from blower user keypad to control is loose, disconnected or damaged.	C. Check wiring for proper connections. Replace the wiring harness if necessary.
	D. Blower user keypad does not work.	D. Replace the blower user keypad.
	E. Control does not work.	E. Replace the control.

## Troubleshooting (cont.)

### Bath System

Symptoms	Probable Causes	Recommended Action
2. Ground-Fault Circuit-Interrupter (GFCI) or Residual Current Device (RCD) trips when bath is turned on.	A. Electrical harness is wet or damaged.	A. Check for wet connections. Dry the connections and repair the leak. Check for insulation or connector damage. Replace the harness if damaged.
	B. Electrical wiring to the bath junction box is wet or damaged; or the power amperage is inadequate.	B. Have a qualified electrician diagnose and correct the problem in accordance with applicable building and electrical codes; or increase the power amperage to 20 A.
	C. Electrical wiring to the bath power cord is wet or damaged.	C. Have a qualified electrician diagnose and correct the problem in accordance with applicable building and electrical codes.
	D. Blower motor is shorted internally.	D. Replace the blower motor.
	E. Control is shorted internally.	E. Replace the control.
3. Blower user keypad is illuminated, but does not respond to icons or outer ring.	A. Control program is locked.	A. Reset GFCI or RCD.
	B. P5 plug assembly harness from blower user keypad to control is loose, disconnected, or damaged.	B. Check wiring for proper connections. Replace the wiring harness if necessary.
	C. Blower user keypad does not work.	C. Replace the blower user keypad.
	D. Control does not work.	D. Replace the control.
4. Blower motor will not start.	A. Power cord from blower motor to control is loose, disconnected, or damaged.	A. Check wiring for proper connections.
	B. Blower motor does not work.	B. Replace the blower motor.
	C. Control does not work.	C. Replace the control.
5. Blower motor stops running and will not immediately restart. Blower keypad is illuminated.	A. Blower motor overheated and protection device activated.	A. Check for blockage at air inlet. Remove blockage and allow motor to cool. Refer to "Blower user keypad is illuminated, but does not respond to icons or outer ring. Blower motor will not start."
6. Blower motor starts, some but not all airjets are bubbling.	A. Blower motor speed is too low.	A. Increase speed set point to blower motor.
	B. Blower air inlet is blocked.	B. Clear blower air inlet.
	C. Blower motor does not work.	C. Replace the blower motor.
	D. Blower motor discharge is blocked.	D. Clear blockage.
	E. Airjets are clogged.	E. Use a small between-the-teeth dental brush and white vinegar. Dip the brush in the vinegar, brush the hole, rinse the brush in clean water, and then use the wet rinsed brush to rinse the hole.
	F. Some zones are closed.	F. Operate all zones.

<b>Troubleshooting (cont.)</b>		
<b>Bath System</b>		
<b>Symptoms</b>	<b>Probable Causes</b>	<b>Recommended Action</b>
7. Blower motor runs but no air bubbles are formed.	A. Blower air inlet is blocked.	A. Clean blower air inlet.
	B. Airjets are clogged.	B. Use a small between-the-teeth dental brush and white vinegar. Dip the brush in the vinegar, brush the hole, rinse the brush in clean water, and then use the wet rinsed brush to rinse the hole.
	C. Blower motor does not work.	C. Replace the blower motor.
	D. Control does not work.	D. Replace the control.
8. Blower motor operates, air bubbles are formed, zone controls work, but variable speed feature does not work.	A. Blower air inlet is blocked.	A. Clear blower air inlet.
	B. Loose, disconnected, or damaged wiring harness.	B. Check wiring for proper connections. Replace the wiring harness if necessary.
	C. User keypad does not work.	C. Replace the user keypad.
	D. Blower motor does not work.	D. Replace the blower motor.
	E. Control does not work.	E. Replace the control.
9. Blower motor won't turn off when the Power icon on user keypad is pressed.	A. User keypad does not work.	A. Replace the user keypad.
	B. Loose, disconnected, or damaged wiring harness.	B. Check wiring for proper connections. Replace the wiring harness if necessary.
	C. Control does not work.	C. Replace the control.
10. A zone does not produce air bubbles but another zone operates normally.	A. Zone is not selected.	A. Select the zone according to the instructions in the "Operating Instructions" section.
	B. Butterfly valve does not work.	B. Replace the butterfly valve.
	C. Loose, disconnected, or damaged wiring harness.	C. Check wiring for proper connections. Replace the wiring harness if necessary.
	D. User keypad does not work.	D. Replace the user keypad.
	E. Control does not work.	E. Replace the control.
11. Surge mode does not work.	A. User keypad does not work.	A. Replace the user keypad.
	B. Control does not work.	B. Replace the control.
12. Water spillage or damage observed under the bath.	A. Drain or overflow leaking.	A. Repair or replace the drain assembly according to the manufacturer's instructions.
	B. Wall, deck, and/or shower door is improperly sealed.	B. Apply silicone sealant at the seams between the bath and the wall, deck, or door.
	C. Cracked piping or air channels.	C. Contact Kohler Co. using the information on the back page.
13. Bath does not purge automatically.	A. Level sensor wires are disconnected.	A. Connect the level sensor wires.
<b>Chromatherapy (some models)</b>		
<b>Symptoms</b>	<b>Probable Causes</b>	<b>Recommended Action</b>
14. Chromatherapy lights do not work.	A. Loose, disconnected or damaged wiring/connections.	A. Check wiring for proper connections. Replace wiring if necessary.
	B. Control does not work.	B. Replace control.
15. Chromatherapy does not cycle.	A. Chromatherapy harness assembly does not work.	A. Replace the chromatherapy harness assembly.

## Warranty

### ONE-YEAR LIMITED WARRANTY

KOHLER plumbing products are warranted to be free of defects in material and workmanship for one year from date of installation.

Kohler Co. will, at its election, repair, replace or make appropriate adjustment where Kohler Co. inspection discloses any such defects occurring in normal usage within one (1) year after installation. Kohler Co. is not responsible for removal or installation costs. **Use of in-tank toilet cleaners will void the warranty.**

To obtain warranty service contact Kohler Co. either through your Dealer, Plumbing Contractor, Home Center or E-tailer, or by writing Kohler Co., Attn.: Customer Care Center, 444 Highland Drive, Kohler, WI 53044, USA, or by calling 1-800-4-KOHLER (1-800-456-4537) from within the USA and Canada, and 001-800-456-4537 from within Mexico, or visit [www.kohler.com](http://www.kohler.com) within the USA, [www.ca.kohler.com](http://www.ca.kohler.com) from within Canada, or [www.mx.kohler.com](http://www.mx.kohler.com) in Mexico.

**IMPLIED WARRANTIES INCLUDING THAT OF MERCHANTABILITY AND FITNESS FOR A PARTICULAR PURPOSE ARE EXPRESSLY LIMITED IN DURATION TO THE DURATION OF THIS WARRANTY. KOHLER CO. AND/OR SELLER DISCLAIM ANY LIABILITY FOR SPECIAL, INCIDENTAL OR CONSEQUENTIAL DAMAGES.** Some states/provinces do not allow limitations on how long an implied warranty lasts, or the exclusion or limitation of special, incidental or consequential damages, so these limitations and exclusions may not apply to you. This warranty gives you specific legal rights. You may also have other rights which vary from state/province to state/province.

**This is Kohler Co.'s exclusive written warranty.**

## Warranty

### For Mexico

KOHLER CO.

It is recommended that at the time of purchase, you verify that all accessories and components are complete in this package.

This Kohler product is warranted to be free of defects in material and workmanship for one (1) year from the date of purchase as shown on the invoice or receipt.

1. Kohler Co. will only service its commercialized products through its authorized distributors.
2. To obtain warranty service, please present the invoice and corresponding warranty.
3. Through its authorized distributors, Kohler Co. promises to repair the defective product or provide a new replacement or an equivalent model (in those cases that the model has been discontinued) when the product is beyond repair, without any charge to the consumer.
4. The time of repair will not exceed six (6) weeks commencing on the date the product is received.
5. It is recommended that the consumer save the invoice or receipt as additional protection, as it may substitute the warranty in the case that there is a discrepancy in the validity of the warranty.

#### EXCEPTIONS AND RESTRICTIONS

The Warranty will not be valid in the following cases:

1. When the product is not operated in accordance with the instructions concerning use and operation set forth in the owner's manual or installation instructions, and when the recommendations and warnings included are not observed.
2. When the product has been modified or dismantled partially or totally; or has been used in a negligent fashion and as a consequence has suffered damages attributable to the consumer, individual, or hardware not authorized by Kohler Co.
3. This warranty does not cover the damages as a result of disaster such as fire or acts of God, including flooding, earthquake, or electric storms, etc. To obtain a list of distributors in your area where you can exercise your rights under this warranty, please call 001-800-456-4537.

**Warranty (cont.)**

KOHLER CO., KOHLER, WI 53044 U.S.A.

**IMPORTER:**

COMERCIALIZADORA INTERCERAMIC, S.A. DE C.V.

AV. CARLOS PACHECO NO. 7200, COL. MADERA 65

CHIHUAHUA, CHIH., MEXICO C.P. 31060

R.F.C. CIN141022IE9

TEL: 52 (614) 429-11-11

**IMPORTER:**

GAMA MATERIALES Y ACEROS, S.A. DE C.V.

AVE LOS ANGELES NO. 1800

COL VALLE DEL NOGALAR, SAN NICOLAS DE LOS GARZA

N.L. MEXICO

R.F.C. GMA901220U11

TEL: 81-1160-5500

# Guide d'installation et d'entretien

## Baignoire avec jets d'air et surface chauffée

### Instructions d'installation



**AVERTISSEMENT:** Lors de l'utilisation de produits électriques, toujours observer les précautions de base, notamment:



**AVERTISSEMENT:** Risque de choc électrique. Raccorder uniquement à un circuit protégé par un disjoncteur de fuite de terre (GFCI)\*.

Les matériaux de construction et le câblage doivent être acheminés loin du souffleur et des autres composants qui dégagent de la chaleur de l'appareil.

Installer de façon à permettre un accès pour l'entretien.

Un connecteur à pression pour câbles marqué "Earth/Ground" (Terre/Masse) est fourni dans le compartiment de câblage. Afin de réduire les risques de choc électrique, raccorder ce connecteur à une borne de terre du panneau de service électrique ou du panneau d'alimentation avec un câble en cuivre ayant la même dimension que le conducteur du circuit qui alimente cet équipement.

Des connecteurs à pression par câble sont fournis sur l'extérieur de la boîte de jonction ou de la commande incluse dans cet appareil afin de permettre la connexion d'un conducteur de mise à la terre entre cet appareil et toutes les autres surfaces de métal avoisinantes, tel que requis par les normes locales.

Une borne de mise à la terre est incluse dans le boîtier du câblage sur place. Pour réduire les risques de choc électrique, cette borne doit être raccordée à un dispositif de mise à la terre fourni dans le panneau d'alimentation électrique, avec un conducteur ayant le même calibre que celui des conducteurs du circuit qui alimente cet équipement.

**Une mise à la terre est requise.** L'appareil doit être installé par un représentant qualifié et doit être mis à la terre.



**AVERTISSEMENT:** Risque de blessures ou d'endommagement du matériel. Lire toutes les instructions avec attention avant de commencer l'installation.



**AVERTISSEMENT:** Risque de choc électrique. Un électricien qualifié doit effectuer toutes les connexions électriques.



**AVERTISSEMENT:** Risque de choc électrique. Déconnecter l'alimentation électrique avant d'effectuer un entretien.

**AVIS:** Respecter tous les codes de plomberie et électriques locaux. Installer cet appareil conformément au Code canadien de l'électricité, Partie 1.

\* Hors de l'Amérique du Nord, ce dispositif peut être connu sous le nom de dispositif à courant résiduel (RCD).

### Information sur le produit

#### Installations électriques requises

Cette installation doit être munie d'un disjoncteur de fuite de terre (GFCI) de classe A\*. Le disjoncteur GFCI protège contre les risques d'électrocution de tension phase-terre. **Utiliser une alimentation dédiée de 220 - 240 V, 20A, 50/60 Hz pour la baignoire.**

\* Hors de l'Amérique du Nord, ce dispositif peut être connu sous le nom de dispositif à courant résiduel (RCD).

## Information sur le produit (cont.)

### Notices du produit



**AVERTISSEMENT: Risque de blessures ou d'endommagement matériel.** Des modifications non approuvées pourraient provoquer un fonctionnement dangereux ou affecter la performance de la baignoire. Ne pas changer l'emplacement du moteur du souffleur et ne pas effectuer d'autres modifications sur le système de baignoire sans le kit ou sans autres instructions publiées, vu que ceci pourrait perturber la performance et ne plus assurer le fonctionnement sans danger du produit. Kohler Co. décline toute responsabilité sous sa garantie et pour toutes blessures ou tous dommages causés par de telles modifications non autorisées. Se référer à la section "Préparer le souffleur - Site à distance" pour les conditions requises pour le déplacement du moteur du souffleur, aux recommandations, et à l'information de couverture de la section.

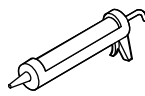
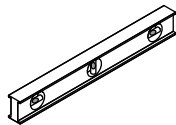
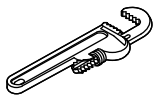
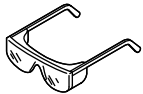
**AVIS:** Une installation personnalisée est nécessaire pour les modèles à encastrer par le dessus et les modèles à bride.

**AVIS:** Maintenir l'espace autour du moteur du souffleur propre et exempt de sciure, de matériau isolant, de saleté, ou d'autres petits débris volatiles. De tels matériaux pourraient boucher l'orifice d'entrée du moteur du souffleur et réduire le débit d'air à travers le souffleur.

### Caractéristiques

Les composants assemblés en usine incluent un moteur de souffleur, un faisceau d'air, une commande, des valves papillon, des lampes de chromothérapie (certains modèles), des faisceaux électriques, un clavier utilisateur illuminé, un composant de surface chauffée, un clavier utilisateur, et un câble de clavier utilisateur. Aucun montage n'est nécessaire, sauf celui des connexions de câblage électrique et des raccords de la plomberie.

### Outils et matériel



Plus:

- Matériaux et outils à bois classiques
- Toile de protection
- Colle mastic (optionnelle)
- Ciment\* ou mortier (optionnel)
- Des 2x4

\* Ne pas utiliser de plâtre dur.

Mastic à la silicone à 100%

### Préparer le souffleur (site à distance)

**REMARQUE:** Cette baignoire peut être installée telle que reçue, ou avec le moteur du souffleur déplacé à un autre emplacement. Se référer aux sections appropriées dans ce manuel pour obtenir des instructions relatives à l'installation en question. **Lire cette section avant de déplacer le souffleur.**

**IMPORTANT!** Ne pas déplacer ou modifier le té PVC ou la tubulure flexible spiralisée qui est connectée au souffleur. Suivre les instructions de déplacement à la lettre.

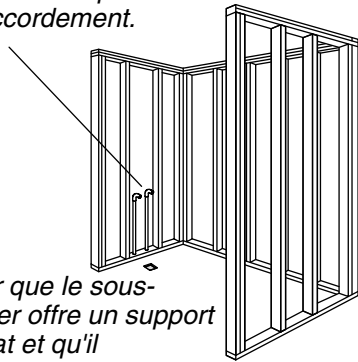


### Préparer le souffleur (site à distance) (cont.)

- Tous les matériaux nécessaires au déplacement du moteur du souffleur doivent être fournis par l'installateur.
- Outils et matériel supplémentaires nécessaires pour le déplacement du moteur du souffleur:
  - Pincés d'électricien
  - Tournevis assortis
  - Clé à molette
  - Perceuse et mèches pour installer les dispositifs de fixation du souffleur.
  - Un câble à gaine 18 AWG non-métallique, deux conducteurs avec terre, et avec clips de support, tel que requis.
  - Un boîtier de jonction électrique 4" (102 mm) x 2" (51 mm) avec couvercle, joint statique, et vis de fixation
  - Trois serre-câbles - l'un d'entre eux doit s'adapter sur le couvercle du moteur du souffleur avec les filets National Pipe Thread (NPT) standard. Les deux autres doivent s'adapter aux orifices du nouveau boîtier de jonction.
  - Six connecteurs de fils (coinces à câble ou dispositifs équivalents)
  - PVC 1-1/2" ou autre tube rigide avec raccords, unions, ciment PVC (ou méthode de fixation équivalente) et des clips de support, tels que requis
  - Quatre dispositifs d'attache (comme des vis à bois à tête plate ou des dispositifs d'ancrage en béton) pour fixer le moteur du souffleur
  - Un fil de fusion de calibre 8 en cuivre solide, 36" (914 mm)
- Déplacer le souffleur pour l'amener aussi près que possible de la baignoire, afin d'obtenir une performance maximale. Ne pas déplacer le souffleur de plus de 15' (4,5 m) de la baignoire.
  - Positionner le souffleur à une distance de 1-1/2" (38 mm) au-dessus du plancher. Ne pas monter le moteur du souffleur avec sa décharge dirigée vers le haut.
  - Utiliser un PVC de 1-1/2" ou une tuyauterie rigide équivalente.
  - L'installation de la tuyauterie doit être conforme aux codes de plomberie et de bâtiment locaux. S'assurer que l'installation ne réduit pas le classement au feu des murs. La tuyauterie doit être supportée à des intervalles sur la longueur conformément aux codes locaux.
  - S'assurer que l'espace du moteur du souffleur est propre et exempt de poussière ou de débris.
  - Installer un panneau d'accès pour permettre un entretien du moteur du souffleur.
  - Le câble d'alimentation minimum de 18 AWG au moteur du souffleur doit être conforme à tous les codes d'électricité ou de construction applicables. S'assurer que l'installation ne réduit pas le classement au feu des murs.
  - Le cordon d'alimentation doit être supporté à des intervalles sur sa longueur, conformément aux codes locaux. Les cordons d'alimentation ne doivent pas reposer sur des surfaces ou sur des planchers susceptibles aux inondations.

## Alcôve

Positionner la plomberie de raccordement.



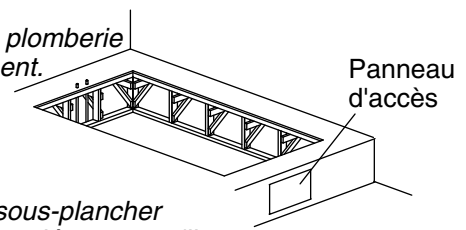
Vérifier que le sous-plancher offre un support adéquat et qu'il est plat et nivelé.

## À encastrer par le dessus

Construire une charpente à montants de 2x4 selon les dimensions du produit.

Positionner la plomberie de raccordement.

Effectuer la construction selon les dimensions du produit.



Vérifier que le sous-plancher offre un support adéquat et qu'il est plat et nivelé.

## 1. Préparer le site

**AVIS:** Mesurer le produit pour la préparation du site. Noter le **numéro de modèle** se trouvant sur le souffleur, puis visiter la page des produits sur le site [www.kohler.com](http://www.kohler.com) pour obtenir de l'information supplémentaire.

**AVIS:** Fournir une ventilation adéquate et un minimum de 15 pieds cube (0,4 mètre cube) d'espace d'air à l'endroit d'installation pour le refroidissement du moteur et pour fournir assez d'air au souffleur. Ne pas installer le moteur du souffleur à une distance plus proche de 1" (25 mm) du mur ou d'autres objets.

**AVIS: Fournir un large espace non restreint pour pouvoir accéder au souffleur.** Un accès doit être prévu pour l'entretien du souffleur et des commandes. L'accès doit être situé juste à côté du souffleur

**AVIS:** Ne pas soulever la baignoire par la tuyauterie ou le souffleur, et ne pas utiliser ceux-ci comme support structurel de la baignoire. Afin d'éviter d'endommager la baignoire, soulever sur les côtés de celle-ci.

**AVIS:** Ne pas supporter le poids de charge de la baignoire par le rebord. Laisser un espace de 1/16" (2 mm) entre le matériau fini et le dessous du rebord de la baignoire.

**AVIS:** Assurer un espace adéquat pour les robinets et les valves.

**AVIS:** Laisser un minimum de 2" (51 mm) d'espace au moins entre le bord du rebord de la baignoire et le mur fini.

**AVIS:** Pour une installation à encastrer par le dessus, aller à [www.kohler.com](http://www.kohler.com) afin d'obtenir de l'information sur le kit optionnel pour encastrer par le dessus du modèle de la baignoire en question. Suivre les instructions d'installation incluses avec le kit d'encastrer par le dessus.

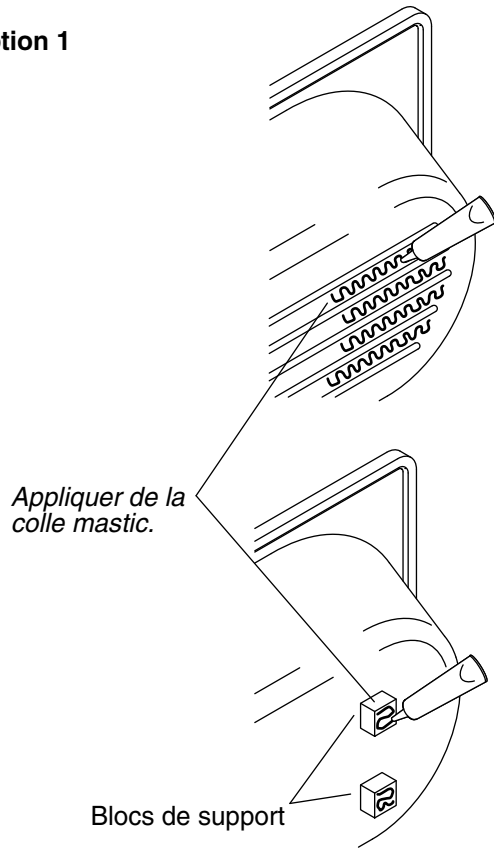
**REMARQUE:** Une installation à encastrer par le dessus, en alcôve, à encastrer par le dessous ou en coin est possible, selon le produit choisi.

- Déballer et examiner soigneusement la nouvelle baignoire afin d'y déceler tout dommage avant d'effectuer l'installation. Si des dommages sont notés, ne pas installer la baignoire; contacter le concessionnaire.
- S'assurer que le plancher offre un support adéquat pour la baignoire et vérifier que le sous-plancher est plat et nivelé.
- Construire une charpente avec des montants de 2 x 4.
- Installer un panneau d'accès pour l'entretien du souffleur et de la surface chauffée. Le panneau d'accès doit avoir une largeur de 30" (762 mm) et une hauteur de 15" (381 mm) au moins.
- Installer la tuyauterie de raccordement.
- Installer le drain sur la baignoire conformément aux instructions du fabricant du drain.

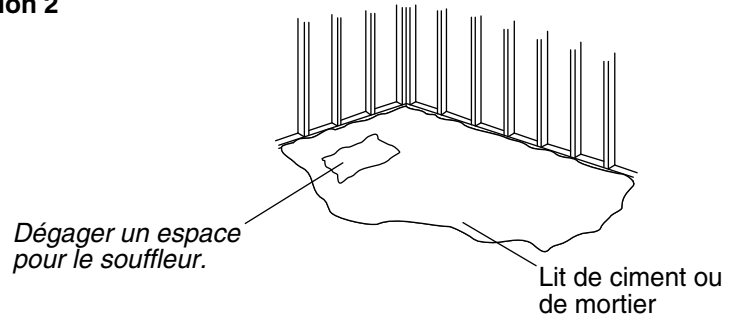
### **Préparer le site (cont.)**

- Protéger la surface de la baignoire en plaçant une toile de protection propre dans le bas du bassin.

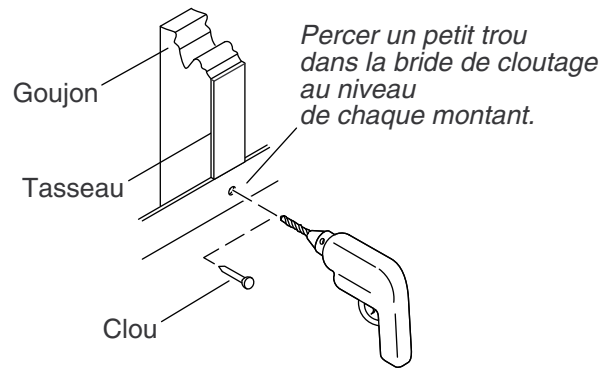
### Option 1



### Option 2



### Installations en coin ou en alcôve à trois murs



## 2. Installer la baignoire

**AVIS:** Ne pas soulever la baignoire par la tuyauterie ou le souffleur, et ne pas utiliser ceux-ci comme support structurel de la baignoire. Afin d'éviter tout endommagement de la baignoire, soulever celle-ci par les côtés.

- Si le sous-plancher n'est pas nivelé, placer des blocs de support ou des supports moulés sous la baignoire, selon les besoins.

### Option 1: Effectuer l'installation en utilisant de la colle mastic

**REMARQUE:** Certains modèles sont dotés de blocs de support; d'autres modèles ont des supports moulés.

- Appliquer une quantité suffisante de colle mastic de haute qualité sur la base des blocs de support ou des supports moulés. Avec de l'aide, lever la baignoire avec précaution et la positionner.

### Option 2: Utilisation de lit de ciment ou de mortier

**REMARQUE:** Ne pas utiliser de plâtre dur ou un mélange pour cloison sèche pour cette installation, car ces produits ne fournissent pas de scellement acceptable et durable.

- Placer la baignoire dans du ciment à maçonner d'une épaisseur comprise entre 1" (25 mm) et 2" (51 mm).

### Fixer les brides de cloutage en place (dispositifs en alcôve)

- Percer un petit trou-pilote à travers la bride de cloutage de chaque montant. Utiliser des cales selon les besoins.
- Utiliser des clous galvanisés à grande tête pour fixer la bride de cloutage sur les montants.

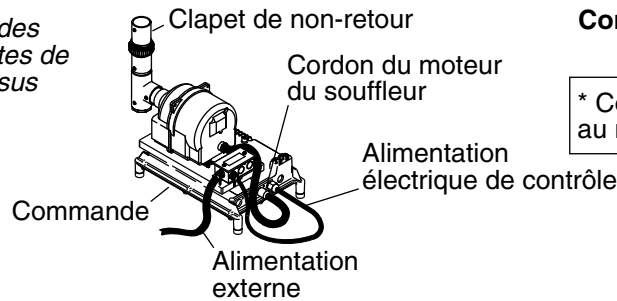
### **Installer la baignoire (cont.)**

- Clouer des tasseaux de 1/4" (6 mm) d'épaisseur sur les montants.

### **Installer la plomberie**

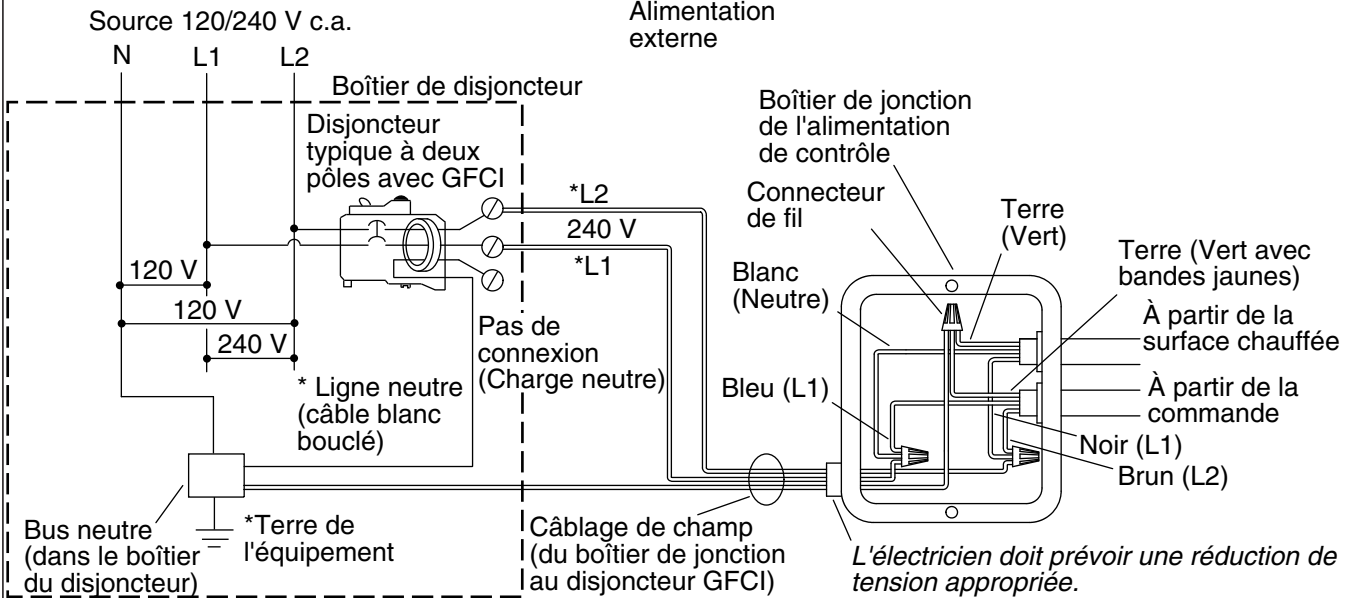
- Insérer la pièce de raccordement du drain dans le siphon. Fixer l'about du drain sur le siphon.
- Installer la vanne de robinet.
- Rechercher des fuites dans les connexions du drain.

Raccorder conformément aux codes nationaux et locaux. Des languettes de métallisation sont situées au-dessus du boîtier de jonction.



### Connexion de câblage typique

\* Connexions à effectuer au niveau du disjoncteur



### 3. Effectuer les connexions électriques

**REMARQUE:** Le numéro de modèle du produit est imprimé sur une étiquette placée du côté souffleur de la baignoire. Cette étiquette identifie également les caractéristiques électriques du produit. **Toutes les baignoires sont équipées d'un boîtier de jonction de câblage et sont conçues pour fonctionner entre 220 V et 240 V, à 50 Hz ou 60 Hz.**



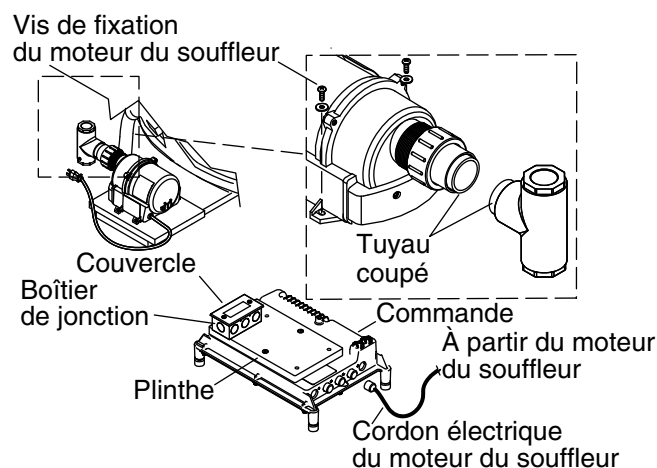
**AVERTISSEMENT: Risque de choc électrique.** Débrancher l'alimentation électrique avant d'effectuer les procédures suivantes.



**AVERTISSEMENT: Risque de choc électrique.** Connecter le souffleur à un disjoncteur de fuite de terre (GFCI) ou à un dispositif à courant résiduel (RCD) mis à la terre de manière adéquate. Ceci fournira une mesure de protection supplémentaire contre le risque d'électrocution par tension phase-terre. Un circuit dédié de 220-240 V, 20 A, 50/60Hz est nécessaire.

**IMPORTANT!** La **charge neutre** n'est pas utilisée. Il ne devrait pas y avoir de connexion à la borne de **charge neutre** sur le disjoncteur de fuite de terre (GFCI). Le fil vert avec la bande jaune est la **terre de l'équipement** et doit être connecté sur le bus neutre dans la boîte du disjoncteur principal.

**REMARQUE:** Le câblage électrique comprend une antenne pour la télécommande optionnelle. Ne pas modifier ni endommager cette antenne pendant l'installation.



## 4. Déconnecter le moteur du souffleur - À distance

**AVIS:** Cette section s'applique uniquement aux installations dans lesquelles le moteur du souffleur est déplacé à un nouvel emplacement.

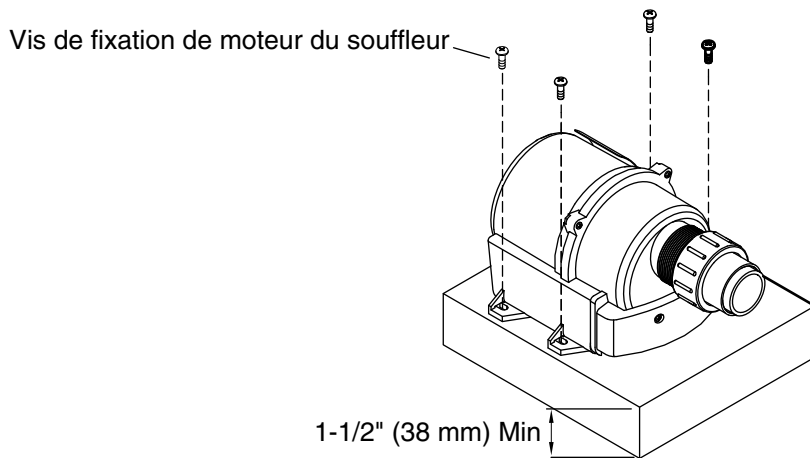
### Retirer le moteur du souffleur

- Déconnecter la prise électrique du moteur du souffleur de la commande.
- Retirer tous les serre-câble qui soutiennent le cordon du moteur du souffleur.
- Couper le tube PVC entre le té et le souffleur.
- Retirer et conserver les quatre vis de fixation de la plinthe.
- Retirer le moteur du souffleur de la baignoire.

### Préparer le site

**REMARQUE:** Se référer à la section "Préparer le souffleur - Site à distance" pour obtenir de l'information détaillée sur le déplacement du souffleur.

- Préparer le site d'installation du moteur du souffleur. Le site doit être compris dans un rayon de 15' (4,5 m) de la baignoire.
- Installer le panneau d'accès pour l'entretien du moteur du souffleur.
- Préparer les voies d'acheminement pour la tuyauterie PVC et le nouveau câble d'alimentation du moteur du souffleur. Suivre tous les codes applicables.



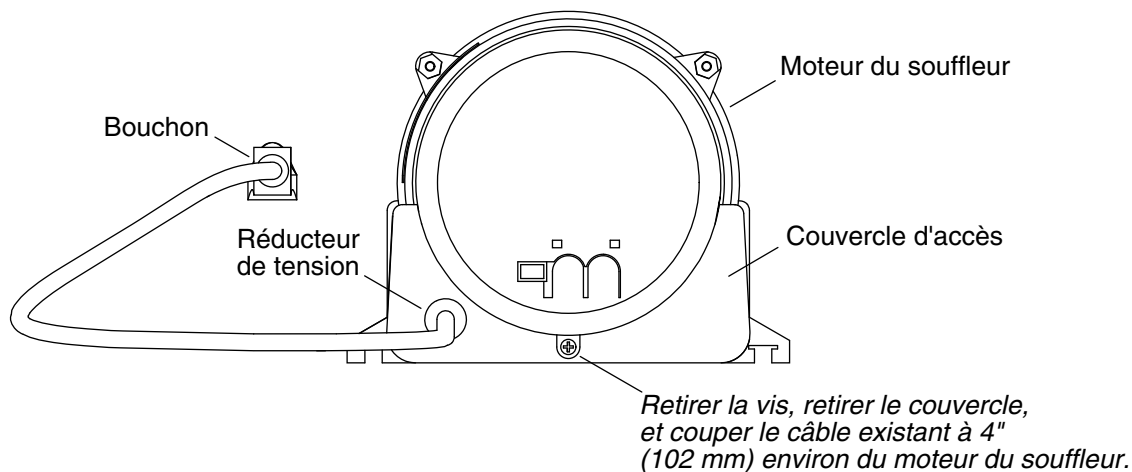
## 5. Monter le moteur du souffleur - À distance

**REMARQUE:** Le moteur du souffleur doit être monté horizontalement à 1-1/2" (38 mm) au-dessus du plancher. Ne pas monter le moteur du souffleur avec sa décharge dirigée vers le haut.

**REMARQUE:** Se référer à la section "Préparer le souffleur - Site à distance" pour les autres exigences relatives au déplacement du moteur du souffleur.

- Au nouvel emplacement du moteur du souffleur, installer un bloc de 1-1/2" (38 mm) (non-fourni) de haut pour supporter le moteur du souffleur.
- Installer et supporter le PVC ou une autre tuyauterie rigide de 1-1/2" (non fournie) entre l'emplacement du moteur du souffleur et le faisceau pneumatique.
- Connecter la nouvelle tuyauterie au faisceau pneumatique existant sans modifier ce dernier. Aligner le nouveau tuyau et sécuriser la connexion avec du ciment PVC. **Laisser prendre le ciment PVC selon les instructions du fabricant.**
- Positionner le moteur sur le bloc de support.
- Fixer le moteur du souffleur sur le nouveau bloc de support avec les vis de fixation conservées auparavant.





## 6. Finir le câble au souffleur - À distance

### Acheminer le câble d'alimentation

- Acheminer le câble 18 AWG ou un câble équivalent (deux conducteurs avec terre) entre la baignoire et le souffleur. Supporter et protéger le câble. Suivre tous les codes électriques locaux.

### Préparer le souffleur pour une installation à distance

- Retirer et conserver la vis du couvercle d'accès de l'arrière du moteur du souffleur. Tout en desserrant les vis, vérifier périodiquement si le couvercle peut être réglé sur le câble électrique.

**IMPORTANT!** Il est important que les mêmes combinaisons de fils soient maintenues.

- Marquer les fils afin pouvoir les reconnecter exactement de la même façon.
- Lorsque le couvercle est desserré, utiliser des pinces d'électricien ou un outil équivalent pour couper le câble électrique au niveau des bornes serties.
- Tirer l'extrémité libre du cordon électrique à travers le couvercle, l'insertion et l'écrou de réduction de tension.
- Jeter l'écrou de réduction de tension existant et l'insertion.
- Reconnecter la prise du moteur du souffleur à la commande.
- Installer un réducteur de tension fileté NPT standard sur le couvercle du moteur du souffleur.

### Connecter le nouveau câble d'alimentation au moteur du souffleur

- À l'aide d'un coin à câble, recouvrir le conducteur brun non utilisé dans la gaine du câble.
- **É.-U.:** Marquer les conducteurs blancs avec du ruban rouge ou noir tel que requis par le National Electric Code.
- Acheminer les nouveaux fils d'alimentation à travers le couvercle d'accès du moteur du souffleur et le réducteur de tension.
- Utiliser des écrous de câble ou d'autres méthodes de terminaison approuvées pour terminer les conducteurs selon la façon suivante:
  - Connecter les fils noir et blanc au conducteur L1 du câble d'alimentation.
  - Connecter les fils brun roux et blanc au conducteur L2 ou N du câble d'alimentation.
  - Connecter le fil conducteur en queue de cochon vert avec rayures jaunes au conducteur de terre du câble d'alimentation.
- Réinstaller le couvercle d'accès sur le moteur du souffleur en utilisant la vis retirée auparavant.
- Serrer le réducteur de tension sur le câble d'alimentation au niveau du moteur du souffleur.

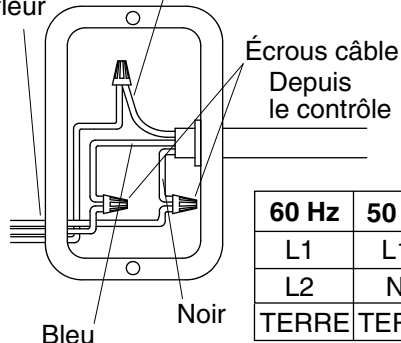
**Finir le câble au souffleur - À distance (cont.)**

- Retirer toute poussière ou tous débris de l'emplacement du moteur du souffleur.

### Second boîtier de jonction

Câble au moteur-souffleur

Terre (vert à rayures jaunes)



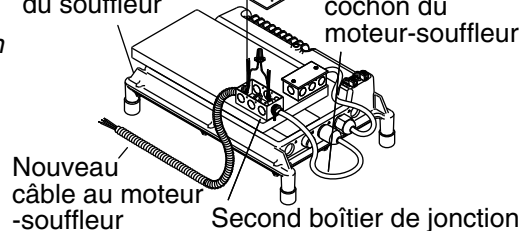
60 Hz	50 Hz	Depuis le contrôle
L1	L1	Bleu
L2	N	Noir
TERRE	TERRE	Vert avec rayures jaunes

### Boîtier de jonction du contrôle d'alimentation

Dénuder la gaine du câble d'environ 3" (76 mm) du câble et de la queue de cochon du moteur-souffleur.

Adaptateur du souffleur

Queue de cochon du moteur-souffleur



Passer l'extrémité du cordon au nouveau boîtier de jonction. Ajouter un réducteur de tension.

Installer le boîtier de jonction avec le couvercle et cosse (non fournie).

## 7. Installer le cordon d'alimentation au niveau de la commande-À distance

### Installer le deuxième boîtier de jonction sur la commande

- Installer un deuxième boîtier de jonction avec une cosse de fusion externe, deux réducteurs de tension, et un couvercle (non fourni) sur la plaque d'adaptation du moteur du souffleur sur la commande.
- Connecter un fil de fusion solide en cuivre d'un calibre 8 de la cosse de fusion du nouveau boîtier de jonction à la cosse de fusion restante de la commande. Respecter tous les codes électriques locaux.

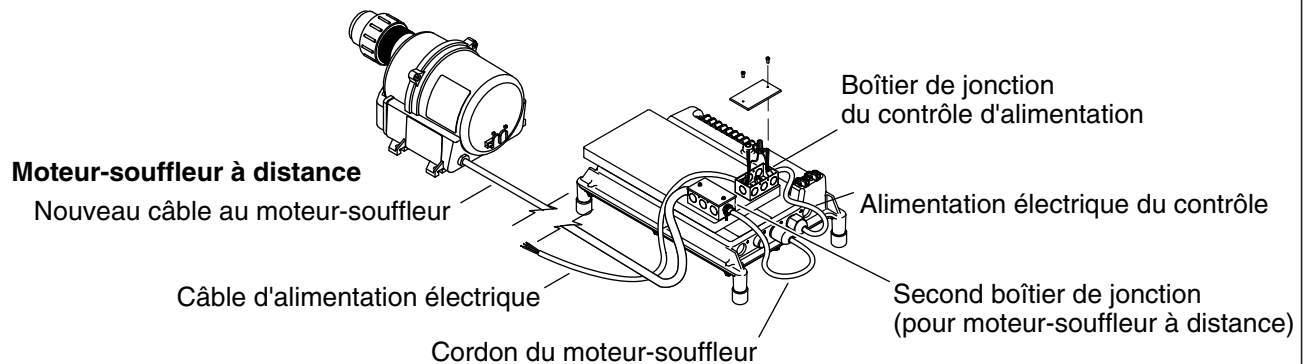
### Reconnecter le cordon d'alimentation du moteur du souffleur

- Si requis, reconnecter le cordon d'alimentation du moteur du souffleur au niveau de la commande.
- Acheminer le cordon d'alimentation du moteur du souffleur à travers un réducteur de tension sur le deuxième boîtier de jonction. Serrer le réducteur de tension.
- À l'extrémité du cordon d'alimentation sectionné, dénuder la gaine du câble d'environ 3" (76 mm).
- Dénuder 3/8" (10 mm) environ d'isolant de fil des fils de commande restants.

### Reconnecter le nouveau câble d'alimentation du souffleur

- Acheminer le nouveau câble d'alimentation fourni par le client entre le souffleur et l'autre réducteur de tension sur le deuxième boîtier de jonction. Serrer le réducteur de tension.
- Dénuder la gaine du câble d'environ 3" (76 mm).
- Pour des installations aux États-Unis, marquer le fil blanc avec du ruban électrique rouge ou noir tel que requis par le National Electric Code.
- Utiliser des dispositifs approuvés pour terminer les conducteurs comme ce qui suit:
  - Connecter le fil en queue de cochon noir au conducteur L1 du câble d'alimentation.
  - Connecter le fil conducteur bleu en queue de cochon au conducteur L2 ou N du câble d'alimentation.
  - Connecter le fil conducteur en queue de cochon vert à rayures jaunes au conducteur de mise à la masse ou de mise à la terre du câble d'alimentation.
- Installer le couvercle sur le nouveau boîtier de jonction.

## Installation de moteur-souffleur à distance



## 8. Effectuer les connexions électriques - À distance



**AVERTISSEMENT: Risque de choc électrique.** Afin de réduire les risques de choc électrique, connecter la commande à un disjoncteur de fuite de terre (GFCI) ou à un dispositif à courant résiduel (RCD) mis à la terre de manière adéquate. Ceci fournira une mesure de protection supplémentaire contre le risque d'électrocution par tension phase-terre. Un circuit dédié de 220-240 V, 20 A, 50/60Hz est nécessaire.



**AVERTISSEMENT: Risque de choc électrique.** S'assurer que l'alimentation a été débranchée avant d'effectuer les procédures suivantes.

- S'assurer que le cordon d'alimentation de la commande est acheminé correctement au boîtier de jonction d'alimentation de la commande. Le cordon d'alimentation de la commande comprend un fil brun (Ligne 1), un fil bleu (Ligne 2), et un fil vert à rayures jaunes (masse ou terre).
- Installer un réducteur de tension (non fourni) pour le câble d'alimentation sur le boîtier de jonction d'alimentation de la commande.
- Acheminer le câble d'alimentation au boîtier de jonction de l'alimentation de commande.
- Tel que requis, dénuder la gaine et l'isolant des deux câbles pour effectuer les connexions.
- Pour des installations aux États-Unis, marquer tout conducteur blanc dans le câblage de l'alimentation avec du ruban rouge ou noir tel que requis par le National Electric Code.
- Effectuer le branchement sur le boîtier de jonction de l'alimentation de commande.
- Fournir un conducteur séparé de mise à la terre ou à la masse de l'équipement à la cosse de terre/masse de secours sur le boîtier de jonction d'alimentation de commande. Le conducteur **ne peut pas** être raccordé à un autre conducteur d'alimentation électrique. Suivre tous les codes électriques locaux.
- Raccorder conformément aux codes nationaux et locaux.
- Nettoyer la surface de toute poussière et de tous débris.
- Tous les faisceaux de câblage ont été précâblés en usine. S'assurer que tous les fils sont bien serrés.

**REMARQUE:** Le faisceau de câblage comprend une antenne pour la télécommande optionnelle. Ne pas modifier ni endommager cette antenne pendant l'installation.

## 9. Terminer l'installation

### Effectuer un essai de fonctionnement de la baignoire

- Faire fonctionner le clavier utilisateur de la surface chauffée pour tester les réglages de la température.

## Terminer l'installation (cont.)

- Remplir la baignoire à un niveau d'eau se trouvant à au moins 4" (102 mm) au-dessus du haut du jet le plus élevé.
- Arrêter la baignoire et laisser reposer pendant cinq minutes. Inspecter toutes les connexions de la tuyauterie de la baignoire pour y déceler des fuites éventuelles. Rechercher des fuites le long de l'avant et des côtés de la baignoire, et à l'arrière de celle-ci.
- Mettre le souffleur en marche et le laisser en marche pendant 5 minutes. Vérifier le bon fonctionnement.
- Pour obtenir de l'information supplémentaire sur le fonctionnement de la baignoire ou de la surface chauffée, consulter les sections "Instructions d'utilisation - Surface chauffée" et "Instructions d'utilisation - Baignoire".

## Finir l'installation

- Installer le panneau mural hydro-résistant, ainsi que tous les matériaux du mur fini, de la plate-forme, et du plancher. Fournir un espace de 1/16" (2 mm) entre le rebord de la baignoire et le matériau fini.
- Appliquer un mastic à la silicone pour sceller toutes les zones où la baignoire et le mur fini ou la plate-forme entrent en contact.
- Installer la garniture de robinet.

## Nettoyer après l'installation

- Lors du nettoyage après l'installation, **ne pas utiliser de nettoyeurs abrasifs**, vu que ceux-ci risqueraient de rayer et d'abîmer la surface de la baignoire. Utiliser de l'eau chaude et un détergent liquide pour nettoyer la surface de la baignoire.
- Enlever les taches résistantes ou la peinture avec de l'essence de térébenthine ou un diluant pour peinture. **Ne pas laisser de nettoyeurs à base de distillats de pétrole rester en contact avec les surfaces de la baignoire pendant une longue période.** Retirer les résidus de plâtre en raclant avec précaution avec un bord en bois. Ne pas utiliser de grattoirs en métal, de brosses métalliques ou d'autres outils en métal. Utiliser un détergent en poudre sur un chiffon humide pour fournir une action abrasive légère sur les résidus de plâtre.

# Instructions Importantes sur la sécurité

## LIRE ET SUIVRE TOUTES LES INSTRUCTIONS

## CONSERVER CES INSTRUCTIONS

### INSTRUCTIONS RELATIVES AUX RISQUES D'INCENDIE, D'ÉLECTROCUTION OU DE BLESSURES CORPORELLES



**AVERTISSEMENT:** Lors de l'utilisation de produits électriques, toujours observer les précautions de base, notamment:



**DANGER:** Risque de blessures ou de noyade accidentelles Afin de réduire les risques de blessures, ne jamais permettre à un enfant d'utiliser cet appareil sans surveillance étroite, en tout temps.



**AVERTISSEMENT:** Risque de blessures. Pour éviter les blessures corporelles, entrer et sortir avec précaution de la baignoire.



**AVERTISSEMENT:** Risque de choc électrique. Ne pas amener les appareils électriques (tels que des sèche-cheveux, des lampes, des téléphones, des radios ou des télévisions) dans un rayon de 5' (1,5 m) de cette baignoire.

## Instructions Importantes sur la sécurité (cont.)



**AVERTISSEMENT: La consommation d'alcool, de drogues ou de médicaments peut augmenter considérablement le risque fatal d'hyperthermie.** Une immersion prolongée dans l'eau chaude peut provoquer une hyperthermie. Une hyperthermie a lieu lorsque la température corporelle interne atteint un niveau dépassant de plusieurs degrés la température corporelle normale de 98,6°F (37°C). Les symptômes d'hyperthermie comprennent une hausse de la température corporelle interne, les étourdissements, une léthargie, une somnolence et les évanouissements. Les effets de l'hyperthermie comprennent: (a) défaut de percevoir la chaleur, (b) défaut de s'apercevoir du besoin de sortir de la baignoire, (c) incapacité de reconnaître le danger imminent, (d) lésions au fœtus dans le cas des femmes enceintes, (e) incapacité physique de sortir de la baignoire et (f) inconscience et danger conséquent de noyade.



**AVERTISSEMENT: Risque de préjudice corporel au fœtus.** Les femmes enceintes ou qui pourraient être enceintes doivent consulter un médecin avant d'utiliser la baignoire.



**AVERTISSEMENT: Risque d'hyperthermie ou de noyade.** Ne pas utiliser la baignoire immédiatement après des exercices physiques rigoureux.



**AVERTISSEMENT: Risque d'hyperthermie ou de noyade.** Une température d'eau supérieure à 100°F (38°C) peut causer des traumatismes. Vérifier et régler la température de l'eau avant utilisation.



**AVERTISSEMENT: Risque de blessures.** Ne jamais faire tomber ou insérer un objet quelconque dans les ouvertures.

Utiliser cette baignoire uniquement aux fins décrites dans ce guide. Ne pas utiliser de dispositifs d'attache non recommandés par Kohler Co.

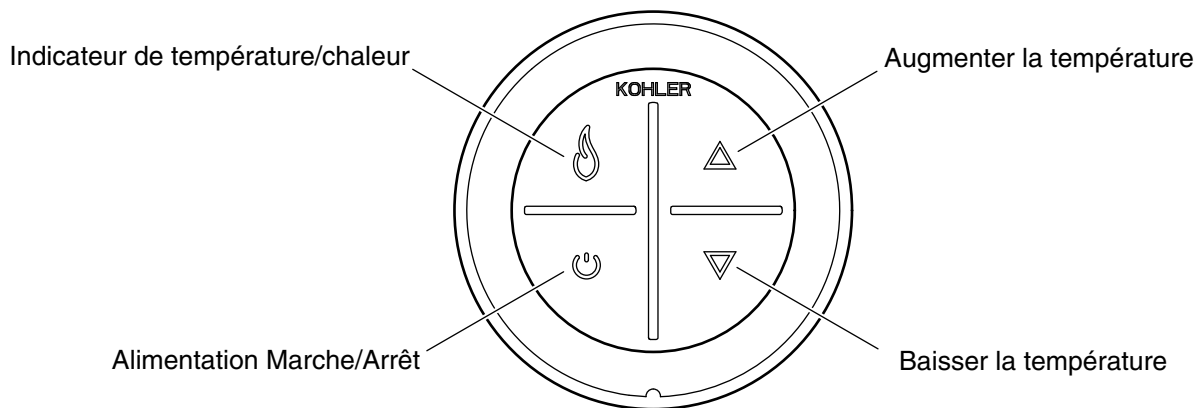
La baignoire doit être raccordée uniquement à un circuit d'alimentation qui est protégé par un disjoncteur de fuite de terre (GFCI)\*. L'installateur doit fournir un disjoncteur de fuite de terre de ce type et celui-ci doit être inspecté régulièrement. Pour inspecter le disjoncteur de fuite de terre, appuyer sur le bouton d'essai. Le disjoncteur de fuite de terre doit couper le courant. Appuyer sur le bouton de réinitialisation. L'alimentation devrait avoir été restaurée. Si le disjoncteur de fuite de terre ne fonctionne pas de cette manière, le disjoncteur est défectueux. Si le disjoncteur de fuite de terre interrompt l'alimentation de courant vers la baignoire sans que l'on ait appuyé sur le bouton d'essai, ceci indique qu'un courant à la terre est en train de circuler, et, par conséquent, la possibilité d'un choc électrique. Ne pas utiliser cette baignoire. Débrancher la baignoire et demander à un technicien qualifié de résoudre le problème avant d'utiliser celle-ci.

Purger le système de la baignoire à hydromassage deux fois par mois ou plus souvent selon la fréquence d'usage, tel que décrit dans la section "Purger le système" de ce guide.

L'utilisation répétée de produits d'hygiène et de beauté contenant des huiles peut endommager les composants en plastique de la baignoire à hydromassage. Éviter d'utiliser des huiles de bain.

L'action de massage de la baignoire à hydromassage peut considérablement faire mousser les produits de bain moussant, le savon, les shampoings, ou les huiles pour le bain, même de petite quantité. Pour cette raison, veiller à ne pas utiliser ces produits pendant le fonctionnement de la baignoire à hydromassage.

\* Hors de l'Amérique du Nord, ce dispositif peut être connu sous le nom de dispositif à courant résiduel (RCD).



## Instructions d'utilisation - Surface chauffée

### Fonctionnement du clavier

- **Icône d'alimentation**  - Met le réchauffeur en marche et l'arrête.
- **Indicateur de température/chaleur**  - L'icône [Flamme] s'allume en jaune, en orange ou en rouge, en fonction du niveau de la chaleur. Le jaune indique une chaleur basse, l'orange indique une chaleur moyenne, et le rouge indique une chaleur élevée.
- **Flèche vers le haut**  - Augmente la température.
- **Flèche vers le bas**  - Abaisse la température.

**AVIS:** Le réchauffeur reste en marche jusqu'à ce qu'il soit arrêté manuellement, en appuyant sur l'icône [Alimentation].

**REMARQUE:** Au bout de 60 minutes d'inactivité, le réchauffeur se réinitialise automatiquement sur une chaleur basse si la température a été réglée au niveau moyen ou élevé. Le réchauffeur reste en mode de chaleur basse tant qu'il n'a pas été réglé ou arrêté.

**REMARQUE:** Le réchauffeur se met en marche avec la dernière température sélectionnée.

### Codes d'erreur

- **L'indicateur de chaleur clignote en rouge**  - Le réchauffeur ne fonctionne pas.
- **L'indicateur de chaleur jaune clignote**  - La sonde de température ne fonctionne pas ou est desserrée.
- Se reporter à la section "Dépannage" pour rechercher des problèmes et y remédier.

### Vérifier le fonctionnement de la surface chauffée.

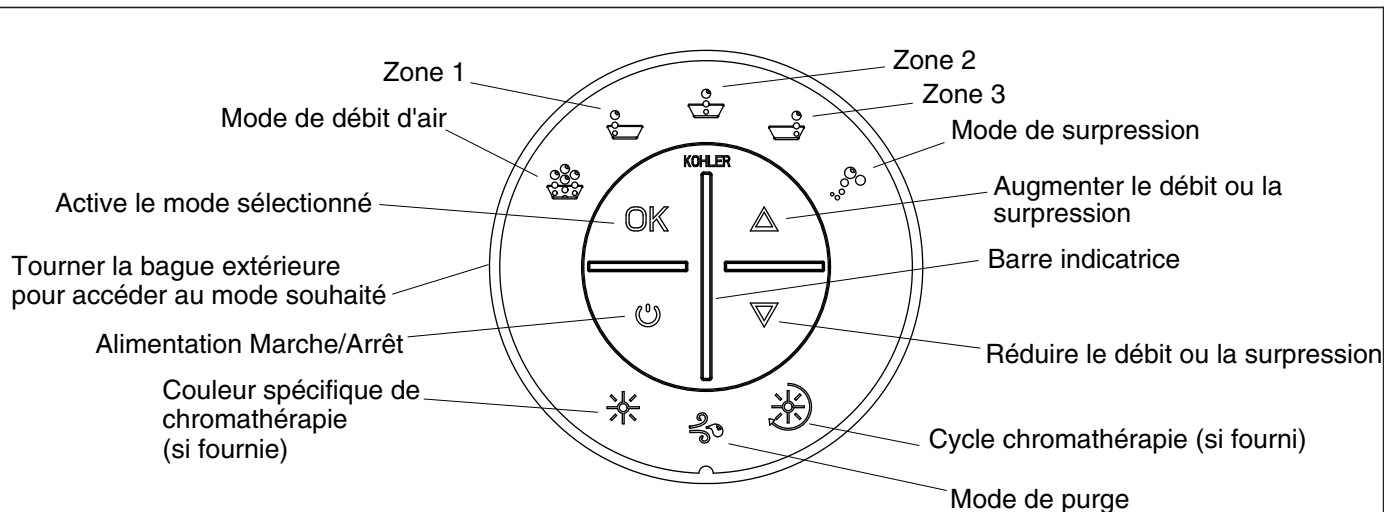
**AVIS:** Lors de l'essai des fonctions de la surface chauffée, attendre entre 5 et 10 minutes avant de pouvoir sentir la chaleur sur la paroi arrière.

- Appuyer sur l'icône [Alimentation] sur le clavier utilisateur.
- Observer que l'indicateur de chaleur devient jaune et que le réchauffeur fournit une chaleur basse.
- Appuyer sur la flèche [vers le haut]. Vérifier que l'indicateur de chaleur devient orange et que la température augmente.
- Appuyer une deuxième fois sur la flèche [vers le haut]. Vérifier que l'indicateur de chaleur devient rouge et que la température diminue.

### **Instructions d'utilisation - Surface chauffée (cont.)**

- Appuyer sur la flèche [vers le bas]. Vérifier que l'indicateur de chaleur devient orange et que la température diminue.
- Appuyer une deuxième fois sur la flèche [vers le bas]. Vérifier que l'indicateur de chaleur devient jaune et que la température diminue.
- Appuyer sur l'icône [Alimentation] pour arrêter le réchauffeur.





## Instructions d'utilisation - Baignoire

**REMARQUE:** Si l'appareil ne fonctionne pas correctement, consulter la section "Dépannage".

### Démarrage de l'appareil

- Remplir la baignoire à au moins 4" (102 mm) au-dessus du dessus des jets d'air.
- Utiliser la main pour tester la température de l'eau avant d'entrer dans la baignoire.
- Appuyer sur l'icône Marche/Arrêt sur le clavier utilisateur pour démarrer le système d'air.
- Régler le débit d'air en appuyant sur l'icône vers le haut ou vers le bas.

### Sélectionner un mode de débit d'air

- Faire tourner la bague extérieure sur le clavier pour sélectionner un mode.
- Appuyer sur l'icône "OK" pour activer ce mode.
- Pour arrêter un mode, tourner la bague extérieure jusqu'à ce que l'icône clignote en vert, puis appuyer de nouveau sur l'icône "OK".
- L'icône devient bleue pour indiquer que le mode est désactivé.

### Arrêter la baignoire

- Appuyer sur l'icône Marche/Arrêt pour arrêter le système d'air.
- Appuyer sur l'icône Marche/Arrêt pour arrêter le système d'air.

### Cycle de purge manuelle (en option)

**REMARQUE:** Suivre ces étapes pour effectuer une purge manuelle de l'eau résiduelle du système d'air.

- Après l'arrêt du système d'air et la vidange de la baignoire, tourner l'anneau extérieur sur l'icône de purge.
- Lorsque l'icône de purge clignote en bleu, appuyer sur l'icône "OK".
- L'icône de purge clignote en vert lors du démarrage de la purge manuelle. Le système d'air fonctionne à une vitesse lente pour évacuer toute eau résiduelle du faisceau d'air.
- Le système d'air s'arrête automatiquement au bout de 2 minutes.

## Entretien et nettoyage

Pour obtenir les meilleurs résultats possibles, tenir compte de ce qui suit lors de l'entretien de votre produit KOHLER avec jets d'air:

- Toujours tester la solution de nettoyage sur une surface non visible avant de l'appliquer sur l'ensemble de la surface.
- Essuyer les surfaces et rincer complètement avec de l'eau immédiatement après l'application du nettoyant. Rincer et sécher tout éclaboussement sur les surfaces avoisinantes.
- Ne pas laisser les nettoyeurs tremper sur les surfaces.
- Utiliser une éponge ou un chiffon doux et humide. Ne jamais utiliser de matériau abrasif tel qu'une brosse ou une éponge à récurer pour nettoyer les surfaces.
- La technique idéale de nettoyage est de bien rincer et de sécher toute eau de la surface après chaque usage.
- Utiliser une brosse douce en nylon sur les surfaces anti-dérapantes. S'assurer d'utiliser un nettoyant hydrosoluble (qui se dissout à 100% dans l'eau).
- **Ne pas utiliser d'agents nettoyants en poudre, sauf si ceux-ci sont complètement dilués dans l'eau.** Des substances solides peuvent obstruer les jets d'air.
- **Ne pas utiliser de solutions de nettoyage avec eau de Javel ou ammoniacale à concentration intégrale.** Les solutions de nettoyage à agents chimiques actifs peuvent endommager la surface.
- **Ne pas utiliser de nettoyeurs abrasifs ou de solvants sur les surfaces des jets d'air.** Les produits nettoyants abrasifs et solvants peuvent endommager la surface des jets d'air.

### Maintenance des jets d'air

- S'il est nécessaire de nettoyer les jets d'air en raison de dépôts d'eau dure, mouiller un chiffon doux, non abrasif, avec du vinaigre blanc et essuyer les orifices des jets d'air bouchés. Rincer immédiatement la surface avec de l'eau propre afin d'éviter une exposition à long terme du vinaigre à la surface des jets d'air.
- Remplir la baignoire avec de l'eau jusqu'à la rangée supérieure des jets d'air. Vidanger la baignoire et appuyer sur le bouton de purge.

### Nettoyer le clavier utilisateur et la télécommande

- Utiliser un chiffon doux pour essuyer le clavier et la télécommande après chaque usage. Si la surface devient sale, utiliser un savon non-abrasif et de l'eau tiède pour le nettoyage.

Pour obtenir des renseignements détaillés sur le nettoyage et les produits à considérer, consulter le site [www.kohler.com/clean](http://www.kohler.com/clean). Pour commander des renseignements sur le nettoyage, appeler le 1-800-456-4537.

## Dépannage

**AVIS:** Cette section est seulement destinée à une aide générale. Un représentant du service agréé Kohler Co. ou un électricien qualifié doit rectifier tous les problèmes électriques. Pour un service de garantie, appeler le 1-800-4KOHLER à partir des É.-U. et du Canada, ou le 001-800-456-4537 à partir du Mexique.

**REMARQUE:** Le numéro de modèle du produit est imprimé sur une étiquette placée du côté souffleur de la baignoire.

**REMARQUE:** Pour tout renseignement sur les pièces de rechange, visiter la page du produit sur le site [www.kohler.com/serviceparts](http://www.kohler.com/serviceparts).

## Dépannage (cont.)

### Système de baignoire

Symptômes	Causes probables	Action recommandée
1. Le clavier utilisateur du souffleur ne s'illumine pas quand on appuie sur l'icône Marche/Arrêt ou lorsque l'on tourne la bague extérieure.	A. Commande non alimentée.	A. Vérifier le câblage et raccorder l'alimentation électrique.
	B. Déclenchement du disjoncteur de fuite de terre (GFCI) ou du dispositif à courant résiduel (RCD).	B. Réinitialiser le disjoncteur GFCI ou le dispositif RCD. Si ceci se reproduit, se référer à la section "Le disjoncteur de fuite de terre (GFCI) ou le dispositif à courant résiduel (RCD) se déclenche lorsque la baignoire est en marche".
	C. Le faisceau de câblage entre le clavier utilisateur du souffleur et la commande est desserré, débranché ou endommagé.	C. Inspecter le câblage pour vérifier si les connexions sont adéquates. Remplacer le faisceau de câblage si nécessaire.
	D. Le clavier utilisateur du souffleur ne fonctionne pas.	D. Remplacer le clavier utilisateur du souffleur.
	E. La commande ne fonctionne pas.	E. Remplacer la commande.
2. Le disjoncteur de fuite de terre (GFCI) ou l'appareil à courant résiduel (RCD) se déclenche lorsque la baignoire est en marche.	A. Le faisceau électrique est mouillé ou endommagé.	A. Rechercher des connexions mouillées. Sécher les connexions et réparer la fuite. Rechercher des dommages de matériau isolant ou de connecteurs. Remplacer le faisceau s'il est endommagé.
	B. Le câblage électrique vers la boîte de jonction de la baignoire est mouillé ou endommagé; ou l'intensité de courant électrique n'est pas adéquate.	B. Demander à un électricien qualifié de diagnostiquer et de rectifier le problème conformément aux codes du bâtiment et d'électricité en vigueur ou d'augmenter l'intensité de courant électrique à 20 A.
	C. Le câblage électrique au cordon d'alimentation de la baignoire est mouillé ou endommagé.	C. Demander à un électricien qualifié de diagnostiquer et de rectifier le problème conformément aux codes du bâtiment et d'électricité en vigueur.
	D. Le moteur du souffleur est court-circuité au niveau interne.	D. Remplacer le moteur du souffleur.
	E. La commande est court-circuitée au niveau interne.	E. Remplacer la commande.
3. Le clavier utilisateur du souffleur est illuminé, mais il ne répond pas aux icônes ou à la bague extérieure.	A. Le programme de commande est verrouillé.	A. Réinitialiser le disjoncteur GFCI ou le dispositif RCD.
	B. Le faisceau de l'ensemble de la fiche P5 entre le clavier utilisateur du souffleur et la commande est desserré, débranché ou endommagé.	B. Inspecter le câblage pour vérifier que les connexions sont adéquates. Remplacer le faisceau de câblage si nécessaire.
	C. Le clavier utilisateur du souffleur ne fonctionne pas.	C. Remplacer le clavier utilisateur du souffleur.
	D. La commande ne fonctionne pas.	D. Remplacer la commande.
4. Le moteur du souffleur ne démarre pas/ne s'arrête pas.	A. Le cordon d'alimentation entre le moteur du souffleur et la commande est desserré, déconnecté ou endommagé.	A. Vérifier les connexions du câblage.
	B. Le moteur du souffleur ne fonctionne pas.	B. Remplacer le moteur du souffleur.

## Dépannage (cont.)

### Système de baignoire

Symptômes	Causes probables	Action recommandée
	C. La commande ne fonctionne pas.	C. Remplacer la commande.
5. Le moteur du souffleur s'arrête de fonctionner et ne redémarre pas immédiatement. Le clavier utilisateur du souffleur est illuminé.	A. Moteur de souffleur surchauffé et système de protection activé.	A. Rechercher une obstruction au niveau de l'orifice d'admission d'air. Éliminer l'obstruction et laisser le moteur refroidir. Se référer à la section "Le clavier utilisateur du souffleur est illuminé, mais il ne répond pas aux icônes ou à la bague extérieure. Le moteur du souffleur ne démarre pas".
6. Le moteur du souffleur démarre, mais certains jets d'airs n'émettent pas de bulles.	A. La vitesse du moteur du souffleur est trop basse.	A. Augmenter le point de consigne de la vitesse pour le moteur du souffleur.
	B. L'orifice d'entrée d'air du souffleur est obstrué.	B. Dégager l'orifice d'entrée d'air du souffleur.
	C. Le moteur du souffleur ne fonctionne pas.	C. Remplacer le moteur du souffleur.
	D. L'orifice de sortie du moteur du souffleur est obstrué.	D. Dégager l'obstruction.
	E. Les jets d'air sont bouchés.	E. Utiliser une petite brosse de nettoyage entre les dents et du vinaigre blanc. Tremper la brosse dans le vinaigre, brosser l'orifice, rincer la brosse à l'eau propre, puis utiliser la brosse mouillée et rincée pour rincer l'orifice.
7. Le moteur du souffleur fonctionne mais aucune bulle d'air ne se forme.	F. Certaines zones sont fermées.	F. Faire fonctionner toutes les zones.
	A. L'orifice d'entrée d'air du souffleur est obstrué.	A. Nettoyer l'orifice d'entrée d'air du souffleur.
	B. Les jets d'air sont bouchés.	B. Utiliser une petite brosse de nettoyage entre les dents et du vinaigre blanc. Tremper la brosse dans le vinaigre, brosser l'orifice, rincer la brosse à l'eau propre, puis utiliser la brosse mouillée et rincée pour rincer l'orifice.
	C. Le moteur du souffleur ne fonctionne pas.	C. Remplacer le moteur du souffleur.
	D. La commande ne fonctionne pas.	D. Remplacer la commande.
8. Le moteur du souffleur fonctionne, des bulles d'air se forment, les commandes de zones fonctionnent, mais la fonction de vitesse variable ne fonctionne pas.	A. L'orifice d'entrée d'air du souffleur est obstrué.	A. Dégager l'orifice d'entrée d'air du souffleur.
	B. Le faisceau de câblage est desserré, déconnecté ou endommagé.	B. Vérifier les raccordements du câblage. Remplacer le faisceau de câblage si nécessaire.
	C. Le clavier utilisateur ne fonctionne pas.	C. Remplacer le clavier utilisateur.
	D. Le moteur du souffleur ne fonctionne pas.	D. Remplacer le moteur du souffleur.
	E. La commande ne fonctionne pas.	E. Remplacer la commande.

## Dépannage (cont.)

### Système de baignoire

Symptômes	Causes probables	Action recommandée
9. Le moteur du souffleur ne s'arrête pas lorsque l'on appuie sur l'icône Marche/Arrêt du clavier utilisateur.	A. Le clavier utilisateur ne fonctionne pas.	A. Remplacer le clavier utilisateur.
	B. Le faisceau de câblage est desserré, déconnecté ou endommagé.	B. Vérifier les raccordements du câblage. Remplacer le faisceau de câblage si nécessaire.
	C. La commande ne fonctionne pas.	C. Remplacer la commande.
10. Une zone ne produit pas de bulles d'air, alors qu'une autre zone fonctionne normalement.	A. La zone n'est pas sélectionnée.	A. Sélectionner la zone selon les instructions de la section "Instructions de fonctionnement".
	B. La vanne papillon ne fonctionne pas.	B. Remplacer la vanne papillon.
	C. Le faisceau de câblage est desserré, déconnecté ou endommagé.	C. Vérifier les raccordements du câblage. Remplacer le faisceau de câblage si nécessaire.
	D. Le clavier utilisateur ne fonctionne pas.	D. Remplacer le clavier utilisateur.
	E. La commande ne fonctionne pas.	E. Remplacer la commande.
11. Le mode de surpression ne fonctionne pas.	A. Le clavier utilisateur ne fonctionne pas.	A. Remplacer le clavier utilisateur.
	B. La commande ne fonctionne pas.	B. Remplacer la commande.
12. Déversement d'eau ou endommagement constaté sous la baignoire.	A. Fuite du drain ou du trop-plein.	A. Réparer ou remplacer l'ensemble du drain selon les instructions du fabricant.
	B. Le mur, le comptoir et/ou la porte de la douche ne sont pas entièrement étanches.	B. Appliquer du mastic à la silicone sur les joints entre la baignoire et le mur, le comptoir ou la porte.
	C. Tuyauterie ou conduits d'air fissurés.	C. S'adresser à Kohler Co. en utilisant les informations fournies sur la page arrière.
13. La baignoire ne se purge pas automatiquement.	A. Les fils des capteurs de niveau sont déconnectés.	A. Connecter les fils des capteurs de niveau.

### Chromothérapie (certains modèles)

Symptômes	Causes probables	Action recommandée
14. Les lampes de chromothérapie ne fonctionnent pas.	A. Le câblage ou les connexions sont desserrés, déconnectés ou endommagés.	A. Vérifier les connexions du câblage. Remplacer le câblage si nécessaire.
	B. La commande ne fonctionne pas.	B. Remplacer la commande.
15. La chromothérapie n'effectue pas de cycle.	A. Le faisceau de chromothérapie ne fonctionne pas.	A. Remplacer le faisceau de chromothérapie.

## Garantie

### GARANTIE LIMITÉE D'UN AN

Les produits de plomberie KOHLER sont garantis contre tout vice de matériau et de fabrication pendant un an à partir de la date de l'installation.

Si un vice est découvert au cours d'une utilisation normale, Kohler Co. choisira, à sa discrétion, la réparation, le remplacement ou la rectification appropriée après inspection desdits vices par Kohler Co. pendant un (1)

## Garantie (cont.)

an à partir de la date d'installation. Kohler Co. n'est pas responsable des frais d'enlèvement ou d'installation. **L'utilisation de nettoyeurs à l'intérieur du réservoir annule la garantie.**

Pour obtenir le service de garantie, contacter Kohler Co., par l'intermédiaire du vendeur, plombier, centre de rénovation ou revendeur par internet, ou bien par écrit à l'adresse suivante Kohler Co., Attn.: Customer Care Center, 444 Highland Drive, Kohler, WI 53044, USA, ou appeler le 1-800-4-KOHLER (1-800-456-4537) à partir des É.-U. et du Canada, et le 001-800-456-4537 à partir du Mexique, ou consulter le site [www.kohler.com](http://www.kohler.com) aux É.-U., [www.ca.kohler.com](http://www.ca.kohler.com) à partir du Canada, ou [www.mx.kohler.com](http://www.mx.kohler.com) au Mexique.

**LES GARANTIES TACITES, Y COMPRIS CELLES DE COMMERCIALITÉ ET D'ADAPTATION À UN USAGE PARTICULIER, SONT EXPRESSÉMENT LIMITÉE À LA DURÉE DE LA PRÉSENTE GARANTIE. KOHLER CO. ET/OU LE REVENDEUR DÉCLINENT TOUTE RESPONSABILITÉ CONTRE LES DOMMAGES PARTICULIERS, ACCESSOIRES OU INDIRECTS.** Certains états et provinces ne permettent pas de limite sur la durée de la garantie tacite, ni l'exclusion ou la limite des dommages particuliers, accessoires ou indirects, et, par conséquent, lesdites limites et exclusions peuvent ne pas s'appliquer à votre cas. Cette garantie vous donne des droits juridiques particuliers. Vous pouvez également avoir d'autres droits qui varient d'un état ou d'une province à l'autre.

Ceci constitue la garantie écrite exclusive de Kohler Co.

## Garantie

### Pour le Mexique

KOHLER CO.

Il est recommandé de s'assurer qu'il ne manque aucun accessoire ou composant dans l'emballage au moment de l'achat.

Ce produit Kohler est garanti contre tout défaut de matériel et de fabrication pour une période d'un (1) an à partir de la date d'achat tel qu'indiqué sur la facture ou le reçu de caisse.

1. Kohler Co. effectuera seulement un entretien de ses produits commercialisés à travers son réseau de distributeurs agréés.
2. Pour obtenir un service-garantie, présenter la facture et le certificat de garantie du produit correspondant.
3. Kohler Co. s'engage, par l'intermédiaire de ses distributeurs autorisés, à réparer ou à remplacer tout produit défectueux par un modèle équivalent (dans les cas où les modèles ne sont plus fabriqués) lorsque le produit ne peut pas être réparé, sans frais pour le consommateur.
4. Le temps de réparation n'excédera pas six (6) semaines à compter de la date de réception du produit.
5. Il est recommandé que le consommateur conserve la facture ou le ticket de caisse comme mesure de protection supplémentaire, car ceux-ci pourraient remplacer la garantie dans le cas d'erreur de validité de la garantie.

### EXCEPTIONS ET RESTRICTIONS

La garantie perdra sa validité dans les cas suivants:

1. Lorsque le produit n'est pas utilisé conformément aux instructions d'utilisation et de fonctionnement indiquées dans le guide du propriétaire ou dans les instructions d'installation, et quand les recommandations et mises en garde ne sont pas respectées.
2. Quand le produit a été partiellement ou totalement modifié ou démonté, ou s'il a été utilisé d'une façon négligée ayant pour conséquence un endommagement causé par le consommateur, une personne ou un matériel non autorisé par Kohler Co.
3. Cette garantie ne couvre pas les dommages issus de catastrophes telles que les incendies ou les catastrophes naturelles, y compris les inondations, les tremblements de terre, les orages électriques, etc. Pour obtenir une liste des distributeurs dans votre région auprès desquels il est possible d'exercer ses droits dans le cadre de la présente garantie, composer le 001-800-456-4537.

KOHLER CO., KOHLER, WI 53044 U.S.A.

**Garantie (cont.)**

**IMPORTATEUR:**

COMERCIALIZADORA INTERCERAMIC, S.A. DE C.V.

AV. CARLOS PACHECO NO. 7200, COL. MADERA 65

CHIHUAHUA, CHIH., MEXICO C.P. 31060

R.F.C. CIN141022IE9

TÉL.: 52 (614) 429-11-11

**IMPORTATEUR:**

GAMA MATERIALES Y ACEROS, S.A. DE C.V.

AVE LOS ANGELES NO. 1800

COL VALLE DEL NOGALAR, SAN NICOLAS DE LOS GARZA

N.L. MEXIQUE

R.F.C. GMA901220U11

TÉL.: 81-1160-5500

# Guía de instalación y cuidado

## Bañera con jets de aire y superficie de calefacción

### Instrucciones de instalación



**ADVERTENCIA:** Al usar aparatos eléctricos siempre cumpla las precauciones básicas, incluidas las siguientes:



**ADVERTENCIA:** Riesgo de sacudidas eléctricas. Conecte solo a un circuito protegido por un interruptor de circuito con pérdida a tierra (GFCI)\*.

El material de construcción y el cableado se deben colocar lejos del cuerpo del soplador y de otros componentes de la unidad que producen calor.

Instale de manera que quede acceso para dar servicio.

El compartimiento de cables incluye un conector a presión marcado "Earth/Ground" (tierra). Para reducir el riesgo de una sacudida eléctrica, conecte este conector al terminal de tierra de su tablero eléctrico o al panel de suministro eléctrico con un cable de cobre del tamaño equivalente al conductor del circuito que alimenta este equipo.

Se incluyen conectores a presión en el exterior de la caja de empalmes o del control dentro de esta unidad para permitir la conexión de un conductor equipotencial entre esta unidad y todo el metal expuesto en la cercanía, lo que sea necesario para cumplir requisitos locales.

El compartimiento de cables tiene un terminal de conexión a tierra para el equipo. Para reducir el riesgo de sacudidas eléctricas, este terminal se debe conectar a la conexión a tierra provista en el panel de suministro eléctrico con un conductor del tamaño equivalente al de los conductores del circuito que alimentan este equipo.

**Se requiere conexión a tierra.** Un representante autorizado de servicio debe instalar esta unidad y conectarla a tierra.



**ADVERTENCIA:** Riesgo de lesiones personales o de daños a la propiedad. Lea atentamente todas las instrucciones antes de comenzar la instalación.



**ADVERTENCIA:** Riesgo de sacudidas eléctricas. Un electricista calificado debe hacer todas las conexiones eléctricas.



**ADVERTENCIA:** Riesgo de sacudidas eléctricas. Desconecte el suministro eléctrico antes de dar servicio.

**AVISO:** Cumpla todos los códigos locales de electricidad y de plomería. En Canadá, instale la unidad conforme al Código Eléctrico Canadiense, Parte 1.

\*Fuera de Estados Unidos, es posible que este dispositivo se conozca como dispositivo de corriente residual (RCD, por sus siglas en inglés).

### Información sobre el producto

#### Requisitos eléctricos

La instalación debe contar con un interruptor de circuito con pérdida a tierra (GFCI)\* de Clase A. El interruptor GFCI protege contra peligros de sacudida eléctrica de línea a tierra. **Utilice un circuito de servicio eléctrico dedicado de 220 - 240 V, 20A, 50/60 Hz para la bañera.**

\*Fuera de Estados Unidos, es posible que este dispositivo se conozca como dispositivo de corriente residual (RCD, por sus siglas en inglés).



## Información sobre el producto (cont.)

### Avisos sobre el producto



**ADVERTENCIA: Riesgo de lesiones personales o daños a la propiedad.** Las modificaciones no autorizadas pueden causar funcionamiento peligroso o afectar el funcionamiento de la bañera. No cambie la ubicación del motor soplador, ni haga ninguna otra modificación en el sistema de la bañera si no dispone de un kit o de otras instrucciones publicadas, ya que esto podría afectar negativamente el rendimiento y el funcionamiento seguro del producto. Kohler Co. no será responsable bajo su garantía, o de ninguna otra forma, de lesiones personales o daños provocados por modificaciones no autorizadas. En la sección "Prepare el soplador - Lugar remoto", consulte las recomendaciones y los requisitos de ubicación del motor soplador, así como la información cubierta en cada sección.

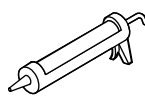
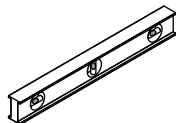
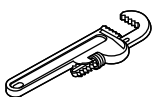
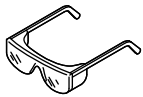
**AVISO:** Se requiere una instalación a la medida para ambos modelos, de sobreponer y con reborde.

**AVISO:** Mantenga el área alrededor del motor soplador limpia y sin aserrín, material aislante, tierra u otras partículas sueltas pequeñas. Dichos materiales podrían tapan la entrada de aire al motor soplador y reducir el flujo de aire a través del soplador.

### Características

Los componentes ensamblados en fábrica incluyen un motor soplador, tubería de aire, control, válvulas de mariposa, luces de cromoterapia (ciertos modelos), arnés eléctrico, un teclado del usuario iluminado, un componente de superficie de calefacción, un teclado del usuario y un cable para el teclado. Además del cableado eléctrico y de las conexiones de plomería, no es necesario hacer más ensamblajes.

### Herramientas y materiales



Más:

- Herramientas y materiales convencionales de carpintería
- Lona
- Adhesivo de construcción (opcional)
- Cemento\* o mortero (opcional)
- Postes de madera de 2x4

\* No utilice cemento de yeso.

Sellador 100% de silicona

### Prepare el soplador (lugar remoto)

**NOTA:** Esta bañera se puede instalar como se recibió o con el motor soplador en otro lugar. Consulte instrucciones relacionadas con su instalación en particular en las secciones apropiadas de este manual. **Lea esta sección antes de cambiar la ubicación del soplador.**

**¡IMPORTANTE!** No cambie de lugar ni altere la T de PVC ni el tubo flexible enrollado que está conectado al motor soplador. Siga con exactitud las instrucciones para cambiar de lugar el motor soplador.

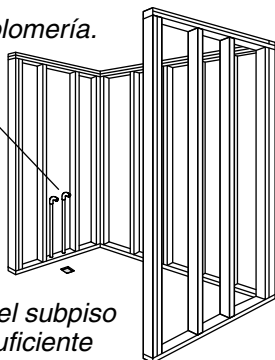
- Todo el material necesario para cambiar la ubicación del motor soplador debe ser provisto por el instalador.

## Prepare el soplador (lugar remoto) (cont.)

- Herramientas y materiales adicionales necesarios para cambiar de lugar el motor soplador:
  - Pinzas de electricista
  - Destornilladores surtidos
  - Llave de tuercas ajustable
  - Taladro y brocas para instalar los herrajes de montaje del soplador
  - Cable con revestimiento no metálico de calibre 18 AWG, dos conductores con conexión a tierra, con clips de soporte, según se requiera.
  - Una caja de empalmes de 4" (102 mm) x 2" (51 mm) con tapa, empaque y tornillos de fijación.
  - Tres protectores contra tirones; uno debe entrar en la tapa del motor soplador con roscas estándar National Pipe Thread (NPT). Los otros dos deben entrar en los orificios de la nueva caja de empalmes.
  - Seis conectores de cable (tuercas para cable o equivalente)
  - Tubo de 1-1/2" de PVC u de otro tipo rígido con conexiones, uniones, cemento para PVC (o método de fijación equivalente) y clips de soporte, según se requiera.
  - Cuatro herrajes (como tornillos de cabeza plana para madera o anclajes para concreto) para fijar el motor soplador
  - Cable de puesta a tierra de cobre calibre 8, 3/6" (914 mm).
- Cambie la ubicación del motor soplador lo más cerca posible de la bañera para maximizar el rendimiento. No cambie el lugar del motor soplador a más de 15' (4,5 m) de la bañera.
  - Coloque el soplador 1-1/2" (38 mm) sobre el piso. No monte el motor soplador con la descarga del motor soplador apuntando hacia arriba.
  - Utilice tubería de PVC de 1-1/2" o rígida equivalente.
  - La instalación de la tubería debe cumplir los requisitos de los códigos locales de plomería o construcción. Asegúrese de que la instalación no reduzca la resistencia al fuego de ninguna de las paredes. Los tubos deben estar soportados a intervalos a lo largo de toda la longitud, conforme a los códigos locales.
  - Asegúrese de que la ubicación del motor soplador esté limpia y no tenga polvo ni suciedad.
  - Instale un panel de acceso para el mantenimiento del motor soplador.
  - El cable de alimentación con calibre mínimo de 18 AWG al motor soplador debe cumplir los requisitos de todos los códigos eléctricos y de construcción pertinentes. Asegúrese de que la instalación no reduzca la resistencia al fuego de ninguna de las paredes.
  - El cable de alimentación eléctrica debe estar soportado a intervalos en toda su longitud, de acuerdo a los códigos locales. Los cables de alimentación eléctrica no deben descansar en superficies ni pisos que pudieran inundarse.

### Encajonado entre tres paredes

Coloque las tuberías de plomería.



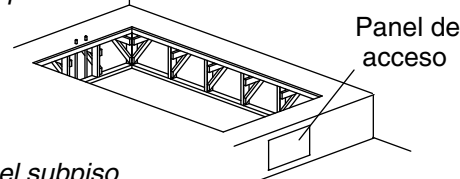
Construya una estructura de postes de madera de 2x4 según las dimensiones del producto.

Verifique que el subpiso proporcione suficiente soporte y que esté plano y a nivel.

### De sobreponer

Coloque las tuberías de plomería.

Construya según las dimensiones del producto.



Verifique que el subpiso proporcione suficiente soporte y que esté plano y a nivel.

## 1. Prepare el sitio

**AVISO:** Mida el producto para preparar el lugar. Fíjese en el **número de modelo** ubicado en el soplador, luego visite la página del producto en [www.kohler.com](http://www.kohler.com) para obtener más información.

**AVISO:** Proporcione ventilación adecuada y un espacio de aire libre mínimo de 15 pies cúbicos (0,4 metros cúbicos) en el lugar de la instalación para enfriar el motor y suministrar suficiente aire al soplador. No instale el motor soplador a menos de 1" (25 mm) de la pared o de otros objetos.

**AVISO:** Deje **amplio acceso sin restricciones al soplador**. Debe dejar acceso para dar servicio al soplador y a los controles. El acceso debe quedar justo al lado del motor soplador.

**AVISO:** No levante la bañera por los tubos ni por el soplador, ni los utilice como soporte estructural de la bañera. Para evitar daños a la bañera, levántela por los lados.

**AVISO:** No apoye el peso de la bañera sobre el reborde. Deje una separación de 1/16" (2 mm) entre el material de acabado y la cara inferior del reborde de la bañera.

**AVISO:** Asegúrese de que haya suficiente espacio libre para las griferías y las válvulas.

**AVISO:** Deje una separación de por lo menos 2" (51 mm) entre el borde del reborde de la bañera y la pared acabada.

**AVISO:** En instalaciones de montaje por abajo, consulte información en [www.kohler.com](http://www.kohler.com) acerca del kit opcional de montaje por abajo para el modelo de su bañera. Siga las instrucciones de instalación que se incluyen con el kit de montaje por abajo.

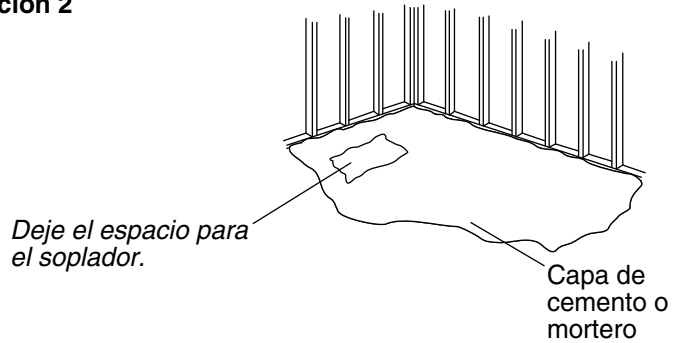
**NOTA:** De acuerdo al producto elegido, es posible realizar una instalación de sobreponer, encajonada entre tres paredes, de montaje por abajo, o en esquina.

- Antes de la instalación, saque las piezas de la caja y revise que la bañera nueva no esté dañada. Si la bañera está dañada, no la instale; comuníquese con su distribuidor.
- Verifique que el piso proporcione el soporte adecuado para su bañera, y que el subpiso esté plano y nivelado.
- Construya una estructura de postes de madera de 2x4.
- Instale un panel de acceso para dar servicio al soplador y a la función de superficie de calefacción. Este panel de acceso debe tener por lo menos 30" (762 mm) de ancho y 15" (381 mm) de alto.
- Instale el tendido de plomería.
- Instale el desagüe en la bañera de acuerdo a las instrucciones del fabricante del desagüe.
- Coloque una lona limpia en el fondo para proteger la superficie de la bañera.

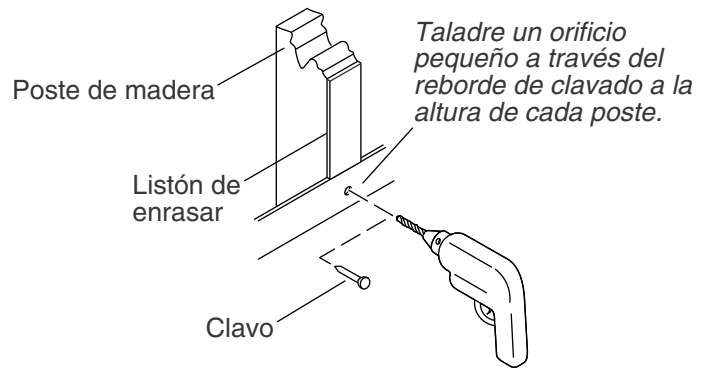
### Opción 1



### Opción 2



### Instalaciones de encajonado entre tres paredes o en esquina



## 2. Instale la bañera

**AVISO:** No levante la bañera por los tubos ni por el soplador, ni los utilice como soporte estructural de la bañera. Para evitar daños a la bañera, levántela por el reborde a los lados de la bañera.

- Si el subpiso no está a nivel, acúñe los bloques de soporte o los soportes moldeados de la bañera según sea necesario.

### Opción 1: Instale con adhesivo de construcción

**NOTA:** Algunos modelos vienen con bloques de soporte; algunos modelos tienen soportes moldeados.

- Aplique una cantidad abundante de adhesivo de construcción de alta calidad en la parte inferior de los bloques de soporte o de los soportes moldeados. Con ayuda, coloque con cuidado la bañera en su lugar.

### Opción 2: Instale con una capa de cemento o mortero

**NOTA:** No utilice cemento de yeso o pasta para paneles de yeso con esta aplicación, puesto que no se produce adherencia aceptable ni duradera.

- Coloque la bañera en una capa de cemento mortero de 1" (25 mm) a 2" (51 mm).

### Fije las pestañas para clavar (unidades para encajonado entre tres paredes)

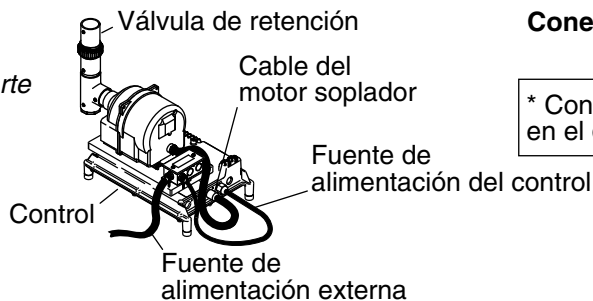
- Taladre un pequeño orificio guía a través de la pestaña para clavar en cada poste de madera. Agregue cuñas según sea necesario.
- Utilice clavos galvanizados de cabeza grande para fijar la pestaña para clavar a los postes.
- Clave listones de enrasar de 1/4" (6 mm) a los postes.

### Instale la plomería

### **Instale la bañera (cont.)**

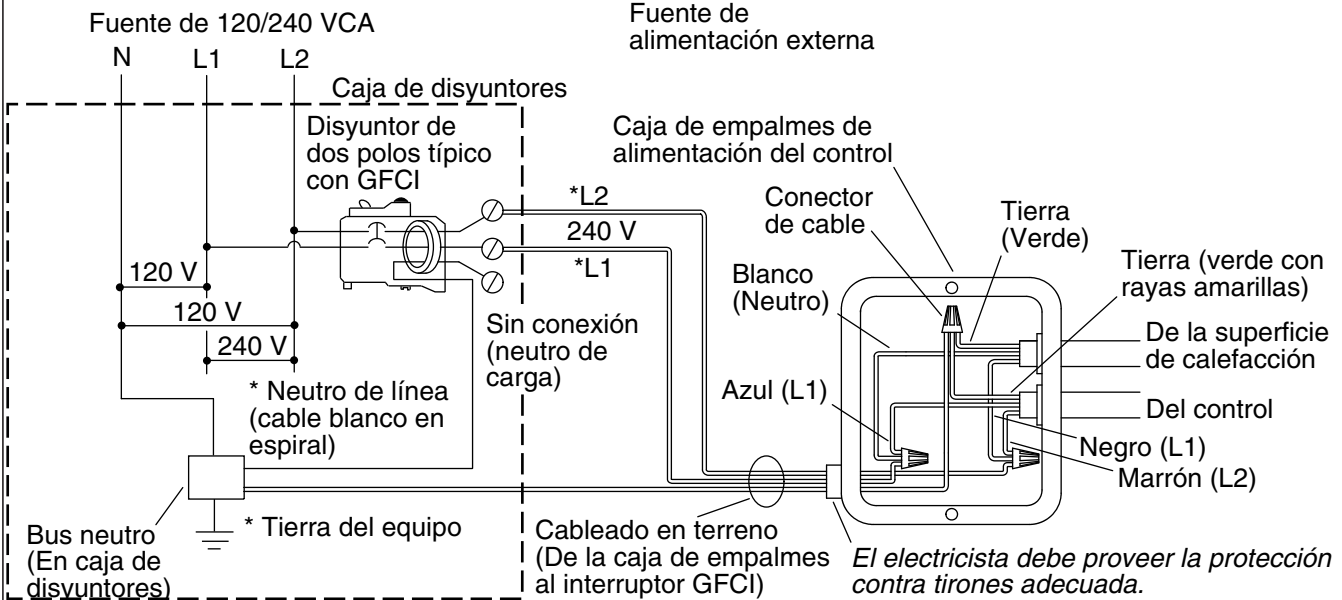
- Introduzca el tubo final de desagüe en la trampa. Fije el tubo final de desagüe a la trampa.
- Instale la válvula de la grifería.
- Revise que no haya fugas en las conexiones de desagüe.

Cumpla con los códigos nacionales y locales. Las lengüetas de conexión a tierra abiertas se encuentran en la parte superior de la caja de empalmes.



### Conexión de cableado típica

\* Conexiones a hacerlas en el disyuntor



### 3. Haga las conexiones eléctricas

**NOTA:** El número de modelo del producto está impreso en una etiqueta en el lado del soplador de la bañera. Esta etiqueta también identifica la capacidad nominal eléctrica del producto. **Todas las bañeras están equipadas con una caja de empalmes y están diseñadas para funcionar entre 220 V y 240 V a 50 Hz o 60 Hz.**



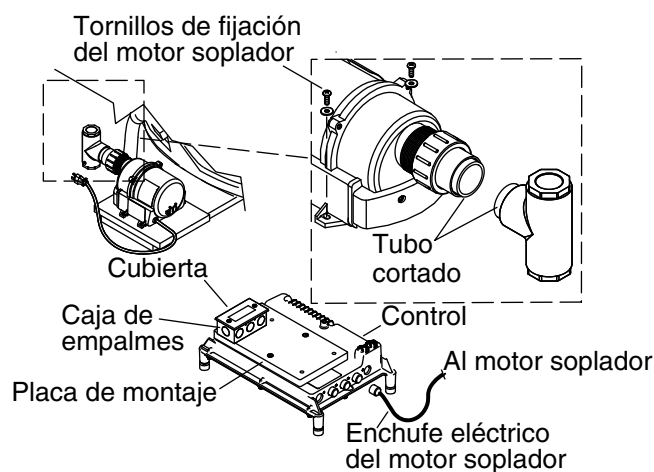
**ADVERTENCIA: Riesgo de sacudidas eléctricas.** Desconecte el suministro eléctrico antes de realizar los siguientes procedimientos.



**ADVERTENCIA: Riesgo de sacudidas eléctricas.** Conecte el soplador a un interruptor, con conexión a tierra, de circuito con pérdida a tierra (GFCI) o dispositivo de corriente residual (RCD). Esto sirve de protección adicional contra el peligro de sacudida eléctrica de línea a tierra. Se requiere un circuito dedicado de 220-240 V, 20 A, 50/60 Hz.

**¡IMPORTANTE!** El **neutro de carga** no se usa. No debe haber conexión al terminal de **neutro de carga** en el interruptor de circuito con pérdida a tierra (GFCI). El cable verde con la raya amarilla es la **tierra del equipo** y se debe conectar al bus neutro en la caja de disyuntores principal.

**NOTA:** El arnés de cables incluye una antena para el control remoto opcional. No modifique ni dañe esta antena durante la instalación.



## 4. Desconecte el motor soplador - Remoto

**AVISO:** Esta sección solo corresponde a las instalaciones en las que el motor soplador se cambian de lugar.

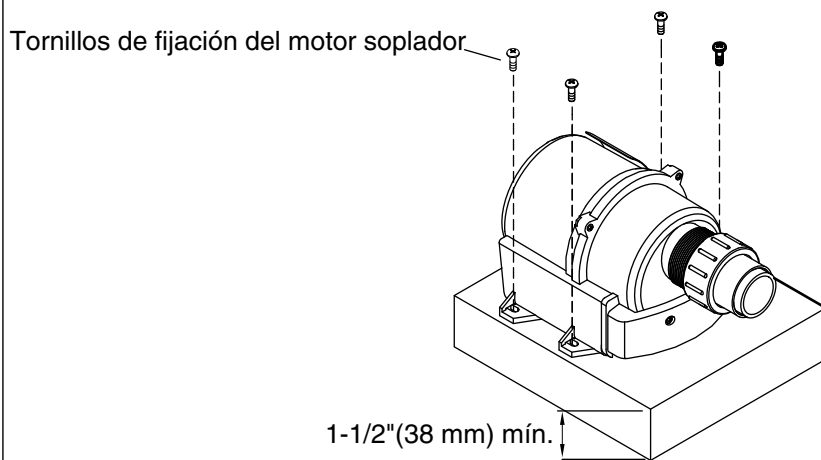
### Retire el motor soplador

- Desconecte el enchufe eléctrico del motor soplador del control.
- Retire los sujetacables que soportan el cable del motor soplador.
- Corte el tubo de PVC entre la T y el soplador.
- Retire y guarde los cuatro tornillos de la placa de montaje.
- Retire el motor soplador de la bañera.

### Prepare el sitio

**NOTA:** Consulte la sección "Prepare el soplador - Lugar remoto" para obtener detalles sobre el cambio de ubicación del soplador.

- Prepare el sitio donde se va a instalar el motor soplador. El sitio se debe estar a menos de 15' (4,5 m) de la bañera.
- Instale el panel de acceso para dar servicio al motor soplador.
- Prepare las rutas para el tendido de las tubería de PVC y del nuevo cable de alimentación eléctrica del motor soplador. Cumpla todos los códigos que correspondan.



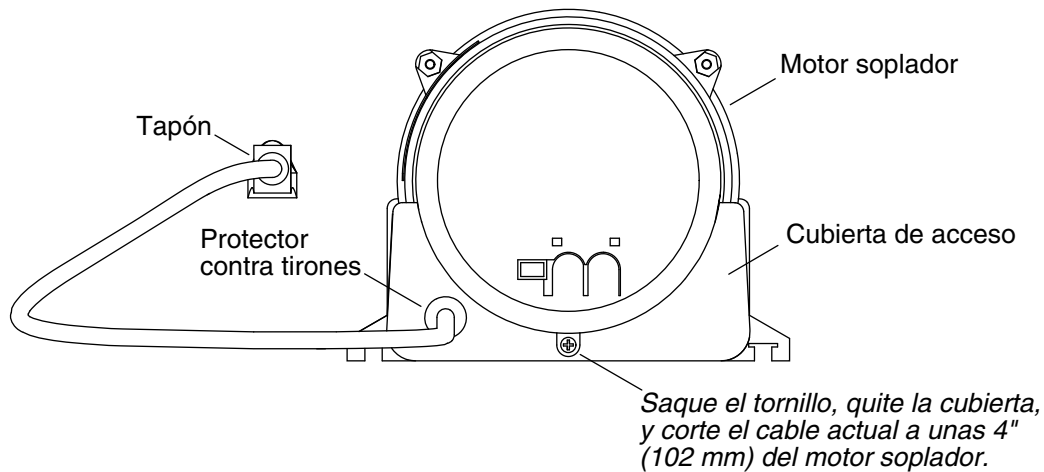
## 5. Monte el motor soplador - Remoto

**NOTA:** El motor soplador se debe montar horizontalmente 1-1/2" (38 mm) sobre del piso. No monte el motor soplador con la salida apuntando hacia arriba.

**NOTA:** Consulte la sección "Prepare el motor soplador - Lugar remoto" para obtener otros requisitos para el cambio de lugar del motor soplador.

- En la nueva ubicación del motor soplador, instale un bloque (no provisto) de 1-1/2" (38 mm) alto para soportar el motor soplador.
- Instale y soporte tubería rígida de 1-1/2" de PVC o de otro tipo (no provista) entre la ubicación del motor soplador y las tuberías de aire.
- Conecte la tubería nueva a la tubería de aire existente sin modificarla. Alinee el tubo nuevo y fije la conexión con cemento para PVC. **Deje que el cemento para PVC se seque de acuerdo a las instrucciones del fabricante.**
- Coloque el motor sobre el bloque de soporte.
- Fije el motor soplador al nuevo bloque de soporte con los tornillos de fijación que retuvo previamente.





## 6. Termine el cable en el soplador - Remoto

### Tienda el cable de alimentación eléctrica

- Tienda cable de alimentación eléctrica calibre 18 AWG o equivalente (dos conductores con conexión a tierra) entre la bañera y el soplador. Soporte y proteja el cable. Cumpla los códigos eléctricos locales.

### Prepare el soplador para la instalación remota

- Retire y guarde el tornillo de la tapa de acceso del lado posterior del motor soplador. Al ir aflojando el tornillo, verifique periódicamente si la tapa se puede deslizar hacia atrás en el cable de alimentación eléctrica.

**¡IMPORTANTE!** Es crítico que se mantengan las mismas combinaciones de cables.

- Marque los cables para poder volverlos a conectar exactamente igual.
- Cuando la cubierta esté suelta, use pinzas de electricista o algo equivalente para cortar el cable de alimentación eléctrica en las terminales rizadas.
- Pase el extremo libre del cable de alimentación eléctrica a través de la tapa, del inserto, del protector contra tirones y de la tuerca.
- Deseche la tuerca del protector contra tirones e inserto existentes.
- Vuelva a conectar el enchufe del motor soplador al control.
- Instale un protector contra tirones de rosca estándar NPT a la tapa del motor soplador.

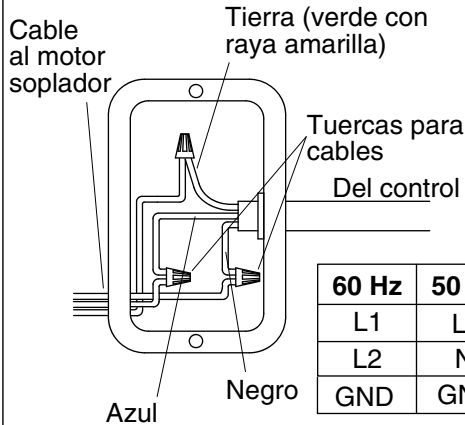
### Conecte el nuevo cable de alimentación eléctrica al motor soplador

- Con una tuerca para cable, tape el conductor marrón que no se utiliza en el forro del cable.
- **EE.UU.:** Marque los conductores blancos con cinta roja o negra según lo requiera el National Electric Code (NEC).
- Pase los hilos del nuevo cable de alimentación eléctrica a través de la tapa de acceso del motor soplador y del protector contra tirones.
- Utilice tuercas para cables u otros métodos aprobados de terminación, y termine los conductores como sigue:
  - Conecte los cables negro y blanco al conductor L1 del cable de alimentación eléctrica.
  - Conecte los cables bronceado y blanco al conductor L2 o N del cable de alimentación eléctrica.
  - Conecte el hilo verde con raya amarilla del cable en espiral al conductor de conexión a tierra del cable de alimentación eléctrica.

**Termine el cable en el soplador - Remoto (cont.)**

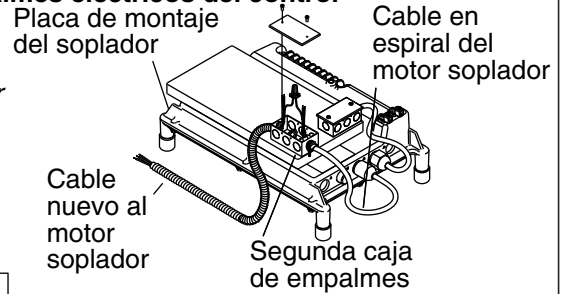
- Vuelva a instalar la tapa de acceso en el motor soplador con el tornillo que sacó anteriormente.
- Apriete el protector contra tirones en el cable de alimentación eléctrica en el motor soplador.
- Elimine el polvo y la suciedad del área del motor soplador.

### Segunda caja de empalmes



### Caja de empalmes eléctricos del control

Pelee unos 3" (76 mm) del forro del cable de terreno y del cable en espiral del motor soplador.



60 Hz	50 Hz	Del control
L1	L1	Azul
L2	N	Negro
GND	GND	Verde con raya amarilla

Pase el extremo cortado del cable a la caja de empalmes nueva. Añada un protector contra tirones.

Instale una caja de empalmes con tapa y una lengüeta de conexión a tierra (no incluida).

## 7. Instale el cable del soplador al control - Remoto

### Instale la segunda caja de empalmes en el control

- Instale una segunda caja de empalmes con un lengüeta externa de conexión a tierra, dos protectores contra tirones y una tapa (no provista) en la placa de montaje del adaptador del soplador en el control.
- Conecte un hilo de cobre calibre 8 desde la lengüeta de conexión a tierra en la caja de empalmes nueva a la lengüeta de conexión no utilizada en el control. Cumpla todos los códigos eléctricos locales.

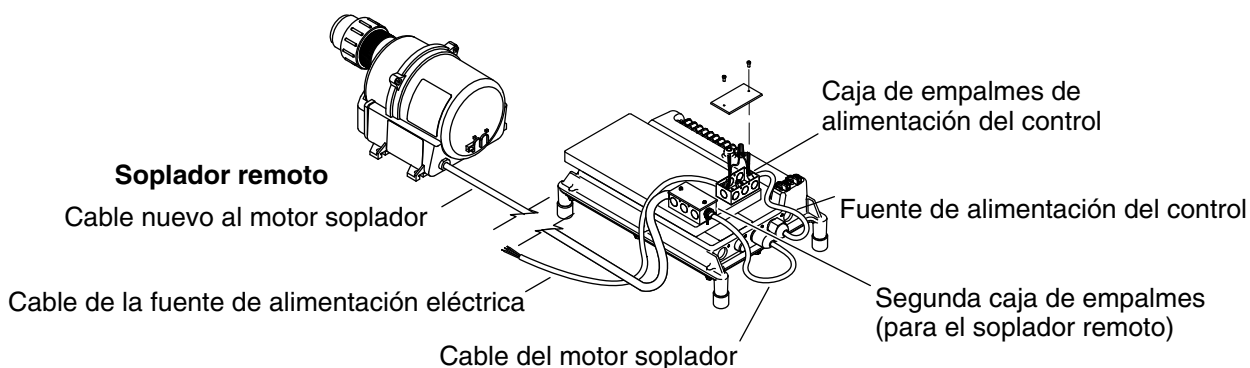
### Vuelva a conectar el cable de alimentación eléctrica del motor soplador

- Si se requiere, vuelva a conectar el cable de alimentación eléctrica del motor soplador en el control.
- Pase el cable de alimentación eléctrica del motor soplador a través del protector contra tirones en la segunda caja de empalmes. Apriete el protector contra tirones.
- En el extremo cortado del cable de alimentación eléctrica, pelee unas 3" (76 mm) del forro del cable.
- Pelee aproximadamente 3/8" (10 mm) del aislamiento de cable de los cables de control restantes.

### Vuelva a conectar el nuevo cable de alimentación eléctrica del soplador

- Pase el cable de alimentación eléctrica provisto por el cliente del soplador a través del otro protector contra tirones en la segunda caja de empalmes. Apriete el protector contra tirones.
- Pelee unos 3" (76 mm) del forro del cable.
- Para las instalaciones en los EE.UU., marque los cables blancos con cinta aislante de color rojo o negro según lo requiera el National Electric Code.
- Utilice dispositivos aprobados de terminación para terminar los conductores como sigue:
  - Conecte el hilo negro del cable en espiral al conductor L1 del cable de alimentación eléctrica.
  - Conecte el hilo azul del cable en espiral al conductor L2 o N del cable de alimentación eléctrica.
  - Conecte el hilo verde con raya amarilla del cable en espiral al conductor de puesta a tierra del cable de alimentación eléctrica.
- Instale la tapa en la nueva caja de empalmes.

## Instalación típica del soplador remoto



## 8. Realice las conexiones eléctricas - Remoto



**ADVERTENCIA: Riesgo de sacudidas eléctricas.** Para reducir el riesgo de una sacudida eléctrica, conecte el control a un tomacorriente correctamente conectado a tierra protegido por un interruptor de circuito con pérdida a tierra (GFCI) o un dispositivo de corriente residual (RCD). Esto sirve de protección adicional contra el peligro de sacudida eléctrica de línea a tierra. Se requiere un circuito dedicado de 220-240 V, 20 A, 50/60 Hz.



**ADVERTENCIA: Riesgo de sacudidas eléctricas.** Asegúrese de desconectar la corriente eléctrica antes de realizar los siguientes procedimientos.

- Asegúrese de que el cable de la fuente de alimentación del control se haya tendido correctamente a la caja de empalmes eléctricos del control. El cable de la fuente de alimentación del control tiene un cable marrón (Línea 1), un cable azul (Línea 2) y un cable verde con una raya amarilla (puesta a tierra).
- Instale un protector contra tirones (no provisto) para el cable de la fuente de alimentación a la caja de empalmes eléctricos del control.
- Pase el cable de la fuente de alimentación a la caja de empalmes eléctricos del control.
- Según se requiera, pele el forro y el aislamiento de ambos cables para realizar las conexiones.
- Para las instalaciones en los EE.UU., marque los conductores blancos que pueda haber en el cableado de la fuente de alimentación con cinta roja o negra, como lo requiere el National Electric Code.
- Conecte el servicio eléctrico a la caja de empalmes eléctricos del control.
- Provea un conductor de conexión a tierra separado a la lengüeta de conexión a tierra no usada ubicada en la caja de empalmes eléctricos del control. Este conductor **no debe** estar conectado a ningún otro conductor portador de corriente. Cumpla los códigos eléctricos locales.
- Haga conexiones equipotenciales de acuerdo a los códigos nacionales y locales.
- Limpie el polvo y los restos de suciedad del área.
- El cableado de todos los arneses de cables se ha realizado en la fábrica. Asegúrese de que todos los cables estén bien apretados.

**NOTA:** El arnés de cables incluye una antena para el control remoto opcional. No modifique ni dañe esta antena durante la instalación.

## 9. Termine de hacer la instalación

### Pruebe el funcionamiento de la bañera

- Haga funcionar el teclado de la superficie de calefacción para probar los valores de temperatura.
- Llene la bañera a un nivel por lo menos 4" (102 mm) arriba del jet de aire más alto.
- Cierre la entrada de agua a la bañera y deje el agua ahí cinco minutos. Revise que no haya fugas en ninguna de las conexiones de las tuberías de la bañera. Verifique que no haya fugas a lo largo del frente, los lados y la parte posterior de la bañera.
- Encienda el soplador y déjelo funcionar durante 5 minutos. Verifique que funcione sin dificultades.
- Para información adicional sobre el funcionamiento de la bañera y de la superficie de calefacción, consulte las secciones "Instrucciones de funcionamiento - Superficie de calefacción" e "Instrucciones de funcionamiento - Bañera".

### Termine de hacer la instalación

- Instale panel de yeso impermeable y todos los materiales de acabado de la pared, la cubierta y el piso. Asegúrese de que haya una separación de 1/16" (2 mm) entre el reborde de la bañera y el material de acabado.
- Aplique sellador de silicona para sellar todas las áreas donde hacen contacto la bañera y la pared acabada o la cubierta.
- Instale la guarnición de la grifería.

### Limpieza después de la instalación

- Al limpiar después de la instalación, **no utilice productos de limpieza abrasivos** ya que pueden rayar y opacar la superficie de la bañera. Utilice agua tibia y detergente líquido para limpiar la superficie de la bañera.
- Limpie las manchas difíciles de quitar o la pintura con aguarrás o con diluyente de pintura. **No permita que los productos de limpieza que contengan destilados de petróleo permanezcan en contacto con la superficie de la bañera durante periodos prolongados.** Para retirar el yeso, raspe con cuidado con un canto de madera. No utilice raspadores de metal, cepillos de alambre ni otras herramientas metálicas. Se puede utilizar detergente en polvo con un trapo húmedo para ejercer una acción abrasiva suave en los residuos de yeso.

# Instrucciones importantes de seguridad

## LEA Y SIGA TODAS LAS INSTRUCCIONES

## GUARDE ESTAS INSTRUCCIONES

### INSTRUCCIONES RELATIVAS A LOS RIESGOS DE INCENDIO, SACUDIDA ELÉCTRICA O LESIONES PERSONALES



**ADVERTENCIA:** Al usar aparatos eléctricos siempre cumpla las precauciones básicas, incluidas las siguientes:



**PELIGRO: Riesgo de lesiones personales o ahogamiento.** Para reducir el riesgo de lesiones, no permita que los niños usen este producto sin supervisión estricta en todo momento.



**ADVERTENCIA: Riesgo de lesiones personales.** Para evitar lesiones, tenga cuidado al entrar y al salir de la bañera.



**ADVERTENCIA: Riesgo de sacudidas eléctricas.** No coloque aparatos eléctricos (como secador de pelo, lámparas, teléfono, radio o televisión) a menos de 5 pies (1,5 m) de esta bañera.

## Instrucciones importantes de seguridad (cont.)



**ADVERTENCIA:** El uso de alcohol, drogas o medicamentos puede aumentar enormemente el riesgo de sufrir hipertermia fatal. La inmersión prolongada en agua caliente puede producir hipertermia. Ocurre hipertermia cuando la temperatura interna del cuerpo alcanza un nivel varios grados más arriba de la temperatura corporal normal de 98,6°F (37°C). Los síntomas de hipertermia incluyen aumento de temperatura corporal interna, mareos, letargo, somnolencia y desfallecimiento. Los efectos de hipertermia incluyen: (a) incapacidad para percibir calor, (b) incapacidad para reconocer la necesidad de salir de la bañera, (c) inconsciencia de un peligro inminente, (d) daño al feto en mujeres embarazadas, (e) inhabilidad física para salir de la bañera y (f) pérdida del conocimiento con peligro de ahogarse.



**ADVERTENCIA:** Riesgo de lesiones mortales. Las mujeres embarazadas o que posiblemente estén embarazadas deben consultar a un médico antes de usar la bañera.



**ADVERTENCIA:** Riesgo de hipertermia o ahogamiento. No utilice la bañera inmediatamente después de hacer ejercicio.



**ADVERTENCIA:** Riesgo de hipertermia o ahogamiento. La temperatura del agua superior a 100°F (38°C) puede causar lesiones. Pruebe y ajuste la temperatura del agua antes de usar la bañera.



**ADVERTENCIA:** Riesgo de lesiones personales. No deje caer ni introduzca objetos en ninguna de las aberturas.

Use esta bañera únicamente con el fin para el que ha sido fabricada, tal como se explica en esta guía. No use equipos adicionales que no recomiende Kohler Co.

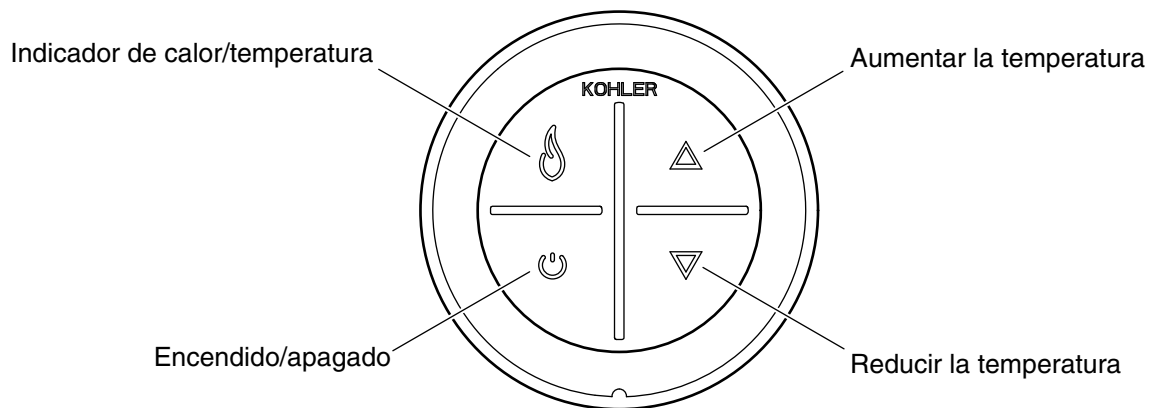
La bañera se debe conectar a un circuito protegido por un interruptor de circuito con pérdida a tierra (GFCI)\*. El instalador debe suministrar dicho interruptor GFCI, cuyo funcionamiento debe probarse en forma rutinaria. Para probar el GFCI, oprima el botón de prueba. El GFCI debe interrumpir el suministro eléctrico. Oprima el botón de restablecer (Reset). Esto debe restablecer el suministro eléctrico. Si el GFCI no funciona de esta manera, significa que está averiado. Si el GFCI interrumpe la alimentación eléctrica a la bañera sin que se haya activado el botón de prueba, significa que fluye corriente a tierra, lo que indica la posibilidad de una sacudida eléctrica. No utilice esta bañera. Desconecte la bañera y solicite que un representante de servicio autorizado solucione el problema.

Limpié el sistema de hidromasaje dos o más veces al mes, de acuerdo al uso, tal como se describe en la sección "Haga circular agua para limpiar el sistema" de esta guía.

El uso constante de productos de higiene personal que contengan aceites puede dañar los componentes plásticos de la bañera de hidromasaje. Evite el uso de aceites de baño.

La acción del hidromasaje puede hacer que una pequeña cantidad de líquidos para hacer burbujas, champú, jabón o aceite de baño espume en exceso. Por esta razón, no utilice estos productos durante el funcionamiento de la bañera de hidromasaje.

\*Fuera de Estados Unidos, este dispositivo se conoce como dispositivo de corriente residual (RCD, por sus siglas en inglés).



## Instrucciones de funcionamiento - Superficie de calefacción

### Funcionamiento del teclado

- **Icono de encendido** - Enciende y apaga el calentador.
- **Indicador de calor/temperatura** - El icono [Flama] se ilumina en amarillo, anaranjado o rojo de acuerdo al nivel de calor. Amarillo indica calor bajo, anaranjado indica calor medio, y rojo indica calor alto.
- **Flecha hacia arriba** - Aumenta la temperatura.
- **Flecha hacia abajo** - Disminuye la temperatura.

**AVISO:** El calentador permanece encendido hasta que se apaga manualmente al presionar el icono [Encendido].

**NOTA:** Después de 60 minutos de inactividad, el calentador se restablece automáticamente a calor bajo si la temperatura se encontraba en el ajuste medio o alto. El calentador permanece encendido a baja temperatura hasta que sea ajustado manualmente o apagado.

**NOTA:** El calentador se enciende al último ajuste de temperatura seleccionado.

### Códigos de error

- **El indicador de calor parpadea en rojo** - El calentador no está funcionando.
- **El indicador de calor parpadea en amarillo** - El sensor de temperatura no está funcionando o está suelto.
- Consulte la sección "Guía para resolver problemas" para solucionar problemas.

### Confirme el funcionamiento de la superficie de calefacción

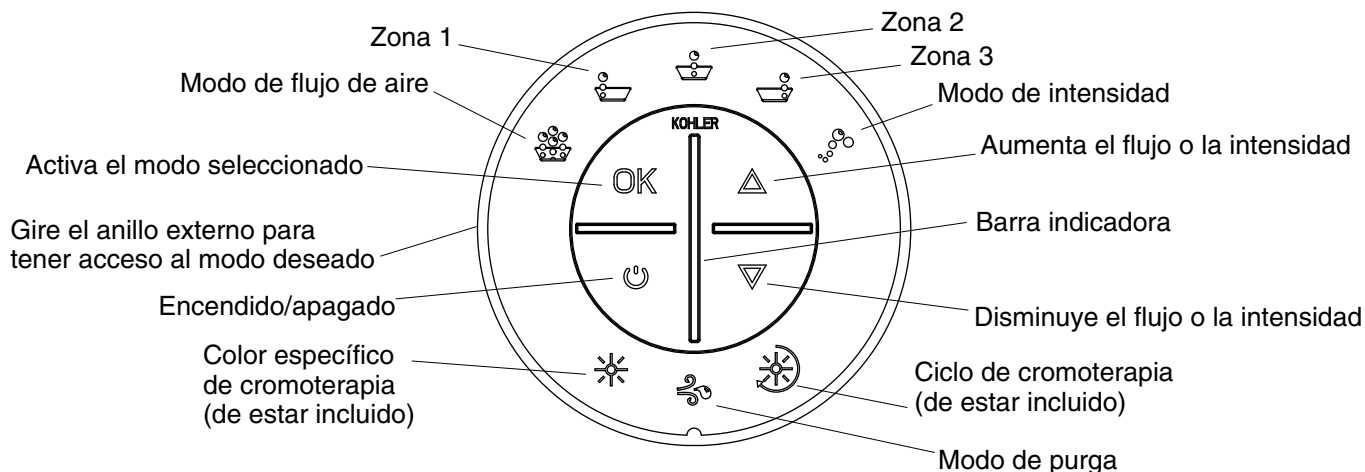
**AVISO:** Al probar las funciones de la superficie de calefacción, deje pasar de 5 a 10 minutos para comenzar a sentir calor en la pared lateral.

- Oprima el icono [Encendido] en el teclado del usuario.
- Observe que el indicador de calor se ilumine en amarillo y que el calentador produzca calor a baja temperatura.
- Oprima la flecha [Hacia arriba]. Verifique que el indicador de calor se ilumine en anaranjado y que la temperatura aumente.
- Oprima la flecha [Hacia arriba] por segunda vez. Verifique que el indicador de calor se ilumine en rojo y que la temperatura aumente.

### **Instrucciones de funcionamiento - Superficie de calefacción (cont.)**

- Oprima la flecha [Hacia abajo]. Verifique que el indicador de calor se ilumine en anaranjado y que la temperatura disminuya.
- Oprima la flecha [Hacia abajo] por segunda vez. Verifique que el indicador de calor se ilumine en amarillo y que la temperatura disminuya.
- Oprima el icono [Encendido] para apagar el calentador.





## Instrucciones de funcionamiento - Bañera

**NOTA:** Si la unidad no funciona correctamente, consulte la sección "Guía para resolver problemas".

### Encienda la unidad

- Llene la bañera hasta por lo menos 4" (102 mm) arriba de la parte superior de los jets de aire.
- Antes de entrar en la bañera, pruebe la temperatura del agua con la mano.
- Oprima el icono de encendido en el teclado del usuario para encender el sistema de aire.
- Oprima el icono de flecha hacia arriba o hacia abajo para ajustar la tasa de flujo de agua.

### Seleccione un modo de flujo de aire

- Gire el anillo externo en el teclado para seleccionar un modo.
- Oprima el icono "OK" para activar el modo.
- Para apagar un modo, gire el anillo externo hasta que el icono se ilumine de forma intermitente en verde, y luego oprima el icono "OK".
- El icono cambia a azul lo que indica que el modo se ha apagado.

### Apague la bañera

- Oprima el icono de encendido para apagar el sistema de aire.
- Oprima el icono de encendido para apagar el sistema de aire.

### Ciclo de purga manual (opcional)

**NOTA:** Siga estos pasos para purgar agua manualmente del sistema de aire.

- Después de parar el sistema de aire y vaciar la bañera, gire el anillo externo al icono de purga.
- Cuando el icono de purga parpadee en azul, oprima el icono "OK".
- El icono de purga parpadea en verde cuando se inicia el modo de purga manual. El sistema de aire funciona a baja velocidad para soplar el agua residual de la tubería de aire.
- Después de 2 minutos, el sistema de aire deja de funcionar automáticamente.

## Cuidado y limpieza

Para obtener los mejores resultados, tenga presente lo siguiente al limpiar la bañera KOHLER con jets de aire:

- Siempre pruebe la solución de limpieza en un área oculta antes de aplicarla a toda la superficie.

## Cuidado y limpieza (cont.)

- Limpie con un paño las superficies, y enjuague completa e inmediatamente con agua después de haber aplicado algún limpiador. Enjuague y seque las superficies cercanas que hayan recibido salpicaduras.
- No deje mucho tiempo los limpiadores en las superficies.
- Utilice una esponja humedecida o un paño suave y húmedo. Para limpiar las superficies nunca utilice materiales abrasivos, como cepillos o estropajos de tallar.
- La técnica de limpieza ideal es enjuagar muy bien y secar el agua de la superficie después de cada uso.
- Utilice un cepillo de nylon suave en las superficies antideslizantes. Asegúrese de utilizar un limpiador soluble en agua (que se disuelva al 100% en el agua).
- **No utilice productos de limpieza en polvo, a menos que estén completamente disueltos en agua.** Las sustancias sólidas pueden obstruir los jets de aire.
- **No utilice soluciones de limpieza concentradas que contengan blanqueador o amoníaco.** Las soluciones de limpieza activas químicamente pueden dañar la superficie de la bañera.
- **No utilice disolventes ni limpiadores abrasivos en las superficies de los jets de aire.** Los disolventes y los productos de limpieza abrasivos pueden dañar la superficie de los jets de aire.

## Mantenimiento de los jets de aire

- Si es necesario limpiar los jets de aire debido a depósitos minerales del agua dura, moje un trapo suave, no abrasivo, con vinagre blanco y limpie los orificios del jet de aire que estén tapados. Enjuague inmediatamente el área con agua limpia para evitar la exposición prolongada de la superficie del jet de aire al vinagre.
- Llene la bañera de agua hasta la fila superior de jets de aire. Drene la bañera y oprima el botón de purga.

## Limpieza del teclado del usuario y del control remoto

- Utilice un paño suave para limpiar el teclado y el control remoto después de cada uso. Si la superficie se ensucia, limpie con un jabón no abrasivo y agua tibia.

Para obtener información detallada de limpieza y de productos a considerar, visite [www.kohler.com/clean](http://www.kohler.com/clean). Para solicitar información sobre el cuidado y la limpieza, llame al 1-800-456-4537.

## Resolución de problemas

**AVISO:** El propósito de esta sección es solo ayuda general. Todos los problemas eléctricos deben ser resueltos por un representante de servicio autorizado de Kohler Co. o un electricista calificado. Para obtener el servicio de garantía, llame 1-800-4KOHLEER desde EE.UU. y Canadá, o al 001-800-456-4537 desde México.

**NOTA:** El número de modelo del producto está impreso en una etiqueta en el lado del soplador de la bañera.

**NOTA:** Para consultar información sobre piezas de repuesto, visite la página de su producto en [www.kohler.com/serviceparts](http://www.kohler.com/serviceparts).

## Resolución de problemas (cont.)

### Sistema de la bañera

Síntomas	Causas probables	Acción recomendada
1. El teclado del soplador no se ilumina cuando se oprime el icono de encendido o se gira el anillo externo.	A. El control no tiene alimentación eléctrica.	A. Verifique el cableado y conecte el suministro eléctrico.
	B. El interruptor de circuito con pérdida a tierra (GFCI) o el dispositivo de corriente residual (RCD) se ha disparado.	B. Oprima el botón de restablecer el GFCI o el RCD. Si se dispara otra vez, consulte "El interruptor de circuito con pérdida a tierra (GFCI) o el dispositivo de corriente residual (RCD) se dispara al encender la bañera".
	C. El arnés de cables del teclado del usuario del soplador al control está suelto, desconectado o dañado.	C. Revise que los cables estén correctamente conectados. Cambie el arnés de cableado de ser necesario.
	D. El teclado del usuario del soplador no funciona.	D. Cambie el teclado del usuario del soplador.
	E. El control no funciona.	E. Cambie el control.
2. El interruptor de circuito con pérdida a tierra (GFCI) o el dispositivo de corriente residual (RCD) se dispara al encender la bañera.	A. El arnés de cables eléctricos está mojado o dañado.	A. Revise si las conexiones están mojadas. Seque las conexiones y repare la fuga. Verifique que el aislamiento o el conector no estén dañados. Cambie el arnés de cables si está dañado.
	B. El cableado eléctrico a la caja de empalmes de la bañera está mojado o dañado, o el amperaje no es adecuado.	B. Haga que un electricista calificado diagnostique y corrija el problema conforme a los códigos pertinentes eléctricos y de construcción; o aumente el amperaje a 20 A.
	C. El cableado eléctrico al cable de suministro eléctrico de la bañera está mojado o dañado.	C. Haga que un electricista calificado diagnostique y corrija el problema de acuerdo a los códigos pertinentes eléctricos y de construcción.
	D. El motor soplador tiene un corto interno.	D. Cambie el motor soplador.
	E. El control tiene un corto interno.	E. Cambie el control.
3. El teclado del soplador está iluminado, pero no responde a los iconos o anillo externo.	A. El programa de control está bloqueado.	A. Oprima el botón de restablecer el GFCI o el RCD.
	B. El arnés de cableado del enchufe P5 del teclado del usuario al control está suelto, desconectado o dañado.	B. Revise que los cables estén correctamente conectados. Cambie el arnés de cableado de ser necesario.
	D. El teclado del usuario del soplador no funciona.	D. Cambie el teclado del usuario del soplador.
	D. El control no funciona.	D. Cambie el control.
4. El motor soplador no arranca.	A. El cable de alimentación eléctrica del motor soplador al control está suelto, desconectado o dañado.	A. Revise que los cables estén correctamente conectados.
	B. El motor soplador no funciona.	B. Cambie el motor soplador.
	C. El control no funciona.	C. Cambie el control.

## Resolución de problemas (cont.)

### Sistema de la bañera

Síntomas	Causas probables	Acción recomendada
5. El motor soplador deja de funcionar y no puede volver a encenderse de inmediato. El teclado del soplador está iluminado.	A. El motor soplador se ha sobrecalentado y se ha activado el dispositivo de protección.	A. Verifique que no haya obstrucciones en la entrada de aire. Elimine la obstrucción y deje enfriar el motor. Consulte "El teclado del soplador está iluminado, pero no responde a los iconos o anillo externo. El motor soplador no se pone en funcionamiento".
6. El motor soplador arranca, pero no todos los jets de aire burbujan.	A. La velocidad del motor soplador es demasiado baja.	A. Aumente el valor establecido de velocidad al motor soplador.
	B. La entrada de aire al motor soplador está tapada.	B. Limpie la entrada de aire al motor soplador.
	C. El motor soplador no funciona.	C. Cambie el motor soplador.
	D. La descarga del motor soplador está obstruida.	D. Elimine la obstrucción.
	E. Los jets de aire están tapados.	E. Utilice un cepillo interdental pequeño y vinagre blanco. Sumerja el cepillo en el vinagre, cepille el orificio, enjuague el cepillo en agua limpia y luego utilice el cepillo enjuagado para enjuagar el orificio.
	F. Algunas zonas están cerradas.	F. Ponga todas las zonas en funcionamiento.
7. El motor soplador funciona pero no se forman burbujas de aire.	A. La entrada de aire al soplador está tapada.	A. Limpie la entrada de aire al motor soplador.
	B. Los jets de aire están obstruidos.	B. Utilice un cepillo interdental pequeño y vinagre blanco. Sumerja el cepillo en el vinagre, cepille el orificio, enjuague el cepillo en agua limpia y luego utilice el cepillo enjuagado para enjuagar el orificio.
	C. El motor soplador no funciona.	C. Cambie el motor soplador.
	D. El control no funciona.	D. Cambie el control.
8. El motor soplador funciona, se forman burbujas de aire, los controles de zona funcionan, pero la función de velocidad variable no funciona.	A. La entrada de aire al soplador está tapada.	A. Limpie la entrada de aire al soplador.
	B. El arnés de cableado está suelto, desconectado o dañado.	B. Revise que los cables estén correctamente conectados. Cambie el arnés de cableado de ser necesario.
	C. El teclado del usuario no funciona.	C. Cambie el teclado del usuario.
	D. El motor soplador no funciona.	D. Cambie el motor soplador.
	E. El control no funciona.	E. Cambie el control.
9. El motor soplador no se apaga cuando se oprime el icono de encendido/apagado en el teclado.	A. El teclado del usuario no funciona.	A. Cambie el teclado del usuario.
	B. El arnés de cableado está suelto, desconectado o dañado.	B. Revise que los cables estén correctamente conectados. Cambie el arnés de cableado de ser necesario.
	C. El control no funciona.	C. Cambie el control.

## Resolución de problemas (cont.)

### Sistema de la bañera

Síntomas	Causas probables	Acción recomendada
10. Una zona no produce burbujas de aire pero otra zona funciona con normalidad.	A. La zona no está seleccionada.	A. Seleccione la zona de acuerdo a las instrucciones en la sección "Instrucciones de funcionamiento".
	B. La válvula de mariposa no funciona.	B. Cambie la válvula de mariposa.
	C. El arnés de cableado está suelto, desconectado o dañado.	C. Revise que los cables estén correctamente conectados. Cambie el arnés de cableado de ser necesario.
	D. El teclado del usuario no funciona.	D. Cambie el teclado del usuario.
	E. El control no funciona.	E. Cambie el control.
11. El modo de intensidad no funciona.	A. El teclado del usuario no funciona.	A. Cambie el teclado del usuario.
	B. El control no funciona.	B. Cambie el control.
12. Se ha derramado agua o se han producido daños bajo la bañera.	A. El desagüe o el rebosadero tienen fugas.	A. Repare o cambie el ensamblaje del desagüe de acuerdo a las instrucciones del fabricante.
	B. La pared, la cubierta, y/o la puerta de la ducha están mal selladas.	B. Aplique sellador de silicona en las juntas entre la bañera y la pared, la cubierta o la puerta.
	C. Tubería o conductos de aire agrietados.	C. Comuníquese con Kohler Co. mediante la información en la página posterior.
13. La bañera no se purga automáticamente.	A. Los cables de los sensores de nivel están desconectados.	A. Conecte los cables de los sensores de nivel.

### Cromoterapia (algunos modelos)

Síntomas	Causas probables	Acción recomendada
14. Las luces de cromoterapia no funcionan.	A. Hay cables o conexiones sueltos, desconectados o dañados.	A. Revise que los cables estén correctamente conectados. Reemplace los cables de ser necesario.
	B. El control no funciona.	B. Cambie el control.
15. El ciclo de cromoterapia no funciona.	A. El montaje del arnés de cromoterapia no funciona.	A. Cambie el montaje del arnés de cromoterapia.

## Garantía

### GARANTÍA LIMITADA DE UN AÑO

Se garantizan los productos de plomería KOHLER contra defectos de material y mano de obra durante un año a partir de la fecha de instalación.

Kohler Co., a su criterio, reparará, reemplazará o realizará los ajustes pertinentes en los casos en que la inspección realizada por Kohler Co. determine que dichos defectos hayan ocurrido durante el uso normal en el transcurso de un (1) año a partir de la fecha de instalación. Kohler Co. no se hace responsable de costos de desinstalación o de instalación. **El uso de limpiadores de inodoro que se colocan dentro del tanque anula la garantía.**

Para obtener el servicio de garantía, comuníquese con Kohler Co. a través de su distribuidor, contratista de plomería, centro de remodelación o distribuidor por Internet, o escriba a Kohler Co., Atención: Customer Care Center, 444 Highland Drive, Kohler, WI 53044, EE.UU., o llame al 1-800-4-KOHLER (1-800-456-4537) desde los EE.UU. y Canadá, o al 001-800-456-4537 desde México, o visite [www.kohler.com](http://www.kohler.com) desde los EE.UU.,

## Garantía (cont.)

www.ca.kohler.com desde Canadá, o www.mx.kohler.com en México.

**TODA GARANTÍA IMPLÍCITA, INCLUIDA LA DE COMERCIALIZACIÓN E IDONEIDAD DEL PRODUCTO PARA UN USO DETERMINADO, SE LIMITA EXPRESAMENTE A LA DURACIÓN DE ESTA GARANTÍA. KOHLER CO. Y/O EL VENDEDOR DESCARGAN TODA RESPONSABILIDAD POR CONCEPTO DE DAÑOS PARTICULARES, INCIDENTALES O INDIRECTOS.** Algunos estados/provincias no permiten limitaciones en cuanto a la duración de una garantía implícita o a la exclusión o limitación de daños particulares, incidentales o indirectos, por lo que es posible que estas limitaciones y exclusiones no se apliquen a su caso. Esta garantía le otorga ciertos derechos legales específicos. Además, usted también puede tener otros derechos que varían de estado a estado y de provincia a provincia.

**Esta es la garantía exclusiva por escrito de Kohler Co.**

## Garantía

### Para México

KOHLER CO.

Se recomienda que al momento de la compra, se verifique que todos los accesorios y componentes estén completos en esta caja.

Se garantiza este producto Kohler contra defectos en material y mano de obra durante un (1) año a partir de la fecha de compra que aparezca en la factura o en el recibo.

1. Kohler Co. prestará servicio únicamente a los productos comercializados a través de sus distribuidores autorizados.
2. Para obtener el servicio de garantía, favor de presentar la factura de compra y la garantía correspondiente.
3. Kohler Co., a través de sus distribuidores autorizados, se compromete a reparar el producto defectuoso o, cuando la reparación no sea posible, reemplazarlo por uno nuevo o por un modelo equivalente (en caso de que el producto haya sido discontinuado) sin ningún cargo al consumidor.
4. El tiempo de reparación no excederá seis (6) semanas a partir de la fecha de recepción del producto.
5. Se recomienda al consumidor que conserve el recibo o la factura de compra como protección adicional, pues el mismo puede sustituir a la garantía en caso de que exista discrepancia en cuanto a la validez de la misma.

### EXCEPCIONES Y RESTRICCIONES

La garantía no tendrá validez en los siguientes casos:

1. Cuando el producto no se utilice conforme a las instrucciones de uso y funcionamiento que se incluyen en el manual del usuario o en las instrucciones de instalación, y cuando no observen las recomendaciones y las advertencias provistas.
2. Cuando el producto se haya modificado o desmantelado parcial o totalmente, o manipulado de manera negligente y, como consecuencia, haya sufrido daños atribuibles al consumidor, a personas o a herrajes no autorizados por Kohler Co.
3. Esta garantía no cubre los daños que resulten de desastres naturales, tales como incendios o casos de fuerza mayor, como inundaciones, terremotos, tormentas eléctricas, etc. Para obtener una lista de distribuidores cerca de usted y así hacer valer sus derechos bajo esta garantía, llame al 001-800-456-4537.

KOHLER CO., KOHLER, WI 53044 U.S.A.

### IMPORTADOR:

COMERCIALIZADORA INTERCERAMIC, S.A. DE C.V.

AV. CARLOS PACHECO NO. 7200, COL. MADERA 65

CHIHUAHUA, CHIH., MÉXICO C.P. 31060

**Garantía (cont.)**

R.F.C. CIN141022IE9

TEL: 52 (614) 429-11-11

**IMPORTADOR:**

GAMA MATERIALES Y ACEROS, S.A. DE C.V.

AVE. LOS ÁNGELES NO. 1800

COL. VALLE DEL NOGALAR, SAN NICOLÁS DE LOS GARZA

N.L. MÉXICO

R.F.C. GMA901220U11

TEL: 81-1160-5500

USA/Canada: 1-800-4KOHLER

México: 001-800-456-4537

[kohler.com](http://kohler.com)

THE BOLD LOOK  
OF **KOHLER**®

©2016 Kohler Co.

1204120-2-C