

## Features

- Vitreous china.
- One-piece elongated bowl.
- Tankless design with direct water supply.
- Dual flush 1.28 gpf (4.8 lpf) or 0.8 gpf (3.0 lpf).
- Integrated bidet functionality featuring a single bidet wand made of stainless steel.
- Adjustable spray shape, position, water pressure, water temperature, pulsate, and oscillate functions for the bidet wand.
- UV light and electrolyzed water systems to sanitize the bidet wand surfaces.
- Warm air dryer function with adjustable temperature settings.
- Automatic deodorization function.
- Heated seat with adjustable temperature settings.
- Automatic open/close lid and automatic bowl nightlight.
- Touchscreen LCD remote.
- Emergency back-up flush feature for power outages.
- For optimum flushing performance, a minimum water supply flow rate of 9.0 gallons per minute or 1.5 gallons in 10 seconds must be confirmed, prior to installation.

## Components

Additional included component/s: Seat, supply stop valve, braided inlet hose, power cord, and LCD remote control.



## Codes/Standards

ASME A112.19.2/CSA B45.1  
ASME A112.19.14  
ASME A112.4.2  
DOE - Energy Policy Act 1992  
EPA WaterSense®  
California Energy Commission (CEC)  
UL 1951  
CSA C22.2 No. 14  
CSA C22.2 No. 68

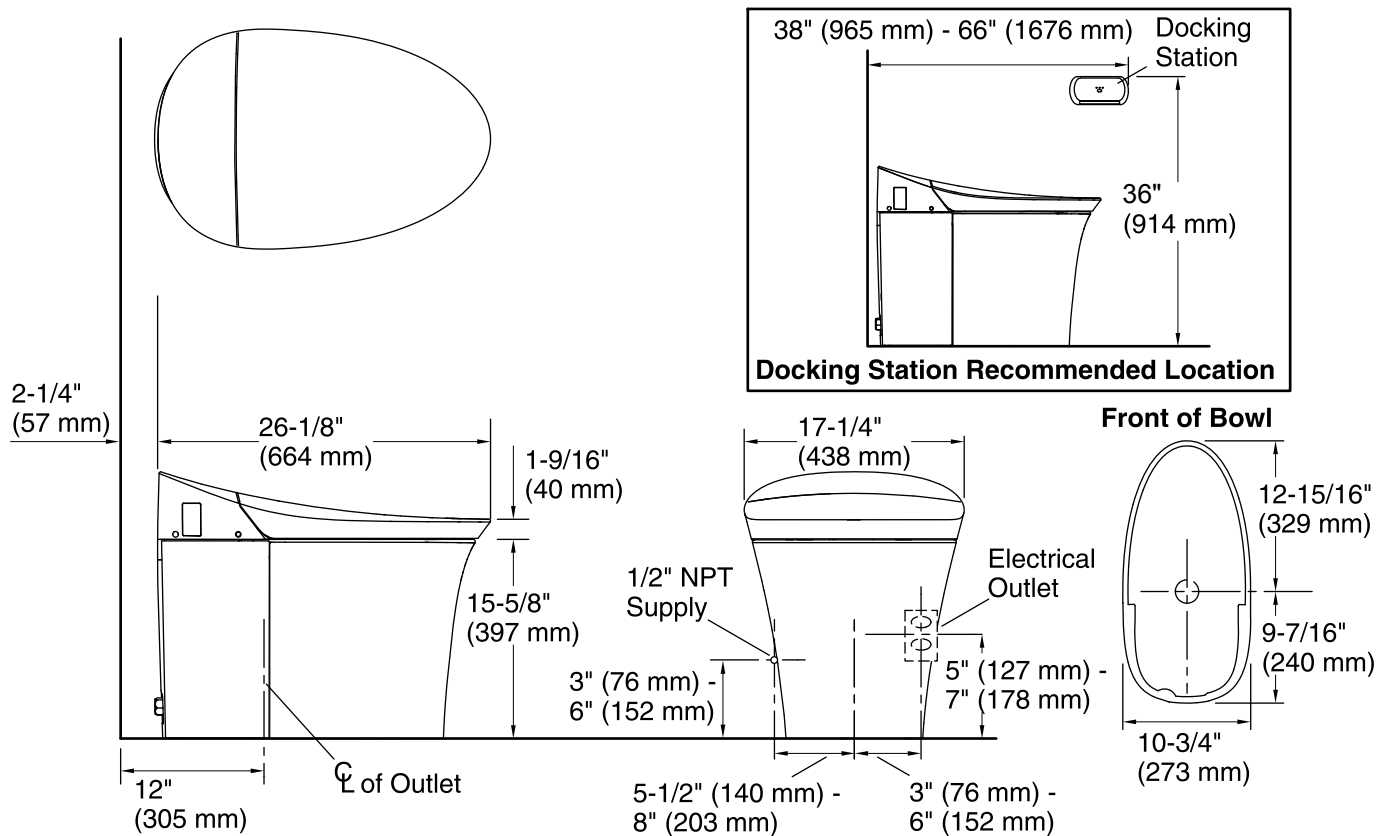
See website for detailed warranty information.

## Available Color/Finishes

*Color tiles intended for reference only.*

### Color Code Description

■ 0 White



## Required Electrical Service

One dedicated circuit required, protected with Class A Ground-Fault Circuit-Interrupter (GFCI) or Residual Current Device (RCD).

120 V, 15 A, 60 Hz

## Technical Information

All product dimensions are nominal.

Toilet type:	One-piece, Floor-mount
Waste Outlet:	Floor
Bowl shape:	Elongated front
Trap passageway:	1-15/16" (49 mm)
Water Consumption	
Full:	1.28 gpf (4.8 lpf)
Reduced:	0.8 gpf (3 lpf)
Water surface size:	7-15/16" x 5-5/8" (202 mm x 143 mm)
Rough-in:	12" (305 mm)

## Notes

Install this product according to the installation instructions.

This product is designed for installation with the electrical and water supplies located through either the wall or the floor.

**IMPORTANT!** Use the supply hoses provided with the fixture. Do not reuse the previously installed hoses.