

Features

- Vitreous china.
- Under-mount
- With overflow.
- Includes 1193643 clamp assembly, unless specified.
- Available with KOHLER Artist Editions designs.
- 17" (432 mm) x 14" (356 mm)

Recommended Accessories

K-8998 P-Trap

Components

Additional included component/s: Basin Clamp Assembly .



ADA

CSA B651

Codes/Standards











ASME A112.19.2/CSA B45.1
ADA
ICC/ANSI A117.1
CSA B651

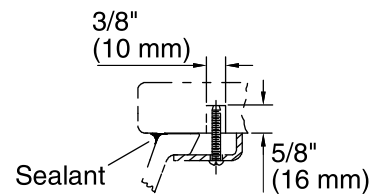
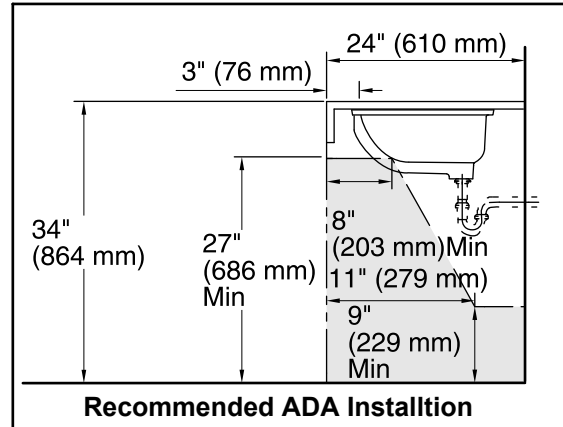
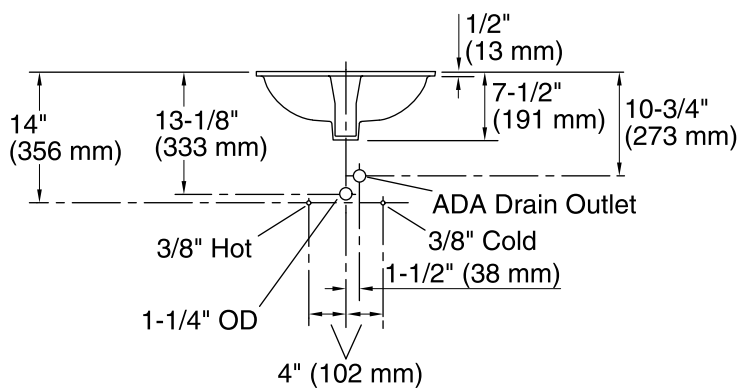
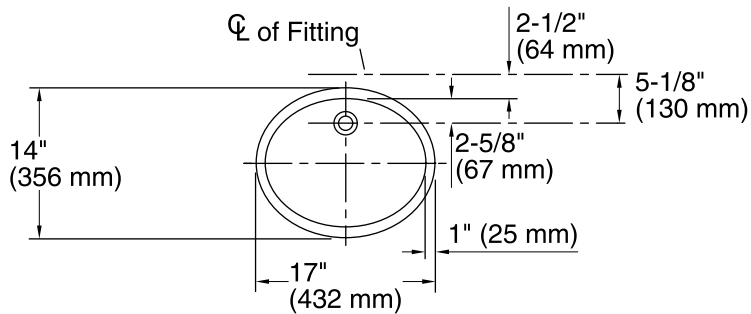
KOHLER® One-Year Limited Warranty

See website for detailed warranty information.

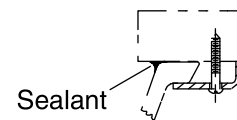
Available Color/Finishes

Color tiles intended for reference only.

| Color | Code | Description |
|--|------|---------------|
|  | 0 | White |
|  | 96 | Biscuit |
|  | 47 | Almond |
|  | NY | Dune |
|  | 95 | Ice™ Grey |
|  | G9 | Sandbar |
|  | 33 | Mexican Sand™ |
|  | K4 | Cashmere |
|  | 58 | Thunder™ Grey |
|  | 7 | Black Black™ |



Marble Installation



Wood Installation

Technical Information

All product dimensions are nominal.

| | |
|---------------|---|
| Installation: | Under-mount |
| Bowl area | Length: 15" (381 mm) Width: 12" (305 mm) Water depth: 4" (102 mm) |
| Drain hole: | 1-3/4" (44 mm) |
| Template: | Under-mount, 85838-7, required, not included |

Notes

Install this product according to the installation guide.

NOTICE: Countertop manufacturer or cutter must use the current product template available at www.kohler.com, or by calling 1-800-4KOHLER. Kohler Co. is not responsible for cutout errors when the incorrect cutout template is used.

ADA, CSA B651 compliant when installed to the specific requirements of these regulations.