

### Features

- Brass construction.
- One-piece, self-contained ceramic disc valve allows both volume and temperature control.
- Temperature memory allows faucet to be turned on and off at any temperature setting.
- High-temperature limit setting for added safety.
- Single-hole mounting.
- Pop-up drain with tailpiece.
- Low spout design.
- 5-1/2" (140 mm) spout reach.
- Straight handle.
- Stationary spout.
- 1.5 gal/min (5.7 l/min) maximum flow rate [max at 60 psi (4.14 bar)].



ADA

CSA B651

OBC

### Codes/Standards

ASME A112.18.1/CSA B125.1

DOE - Energy Policy Act 1992

ADA

ICC/ANSI A117.1

CSA B651

OBC

All applicable US Federal and State material regulations

### KOHLER® Faucet Lifetime Limited Warranty

See website for detailed warranty information.

### Available Color/Finishes

*Color tiles intended for reference only.*

Color	Code	Description
-------	------	-------------



CP Polished Chrome



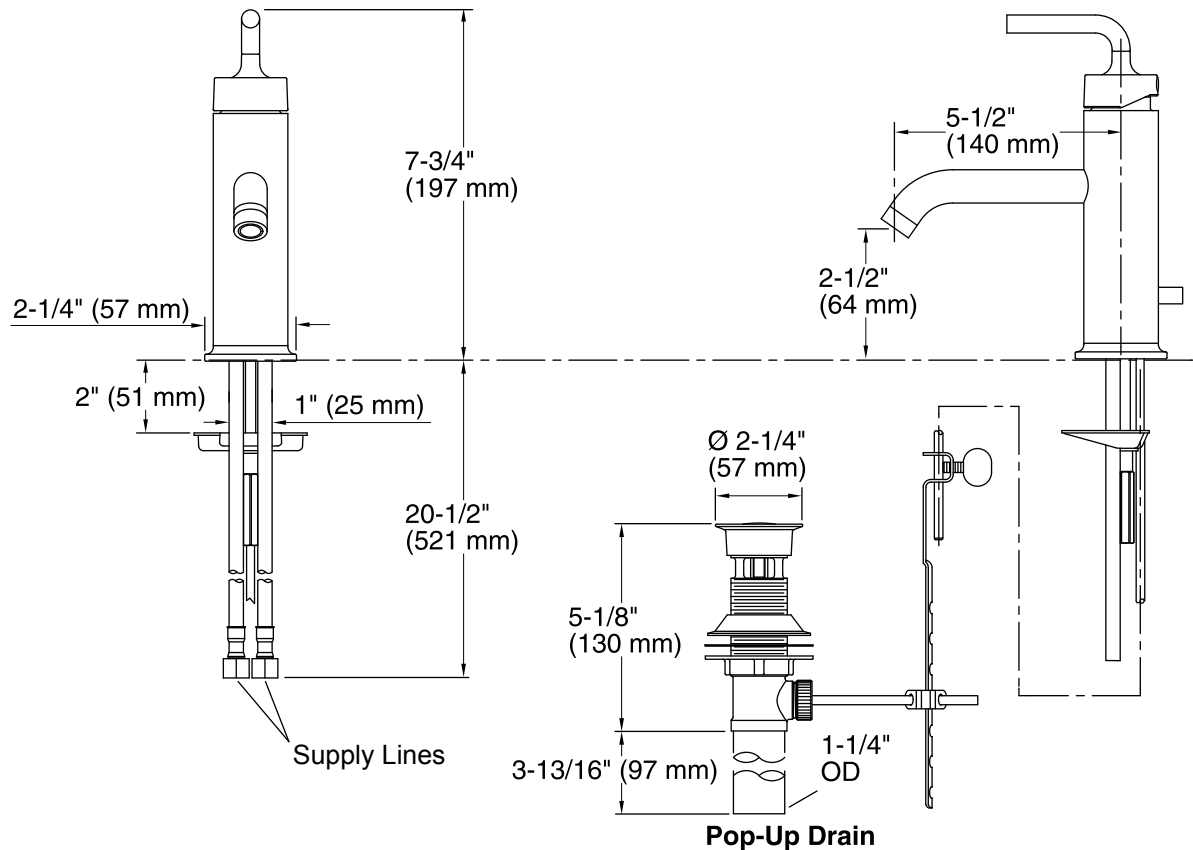
SN Vibrant® Polished Nickel



BGD Vibrant® Moderne Brushed Gold



BN Vibrant® Brushed Nickel



### Technical Information

All product dimensions are nominal.

Spout reach: 5-1/2" (140 mm)

Drain included: YES

Drain tailpiece included:

### Faucet:

Flow rate: 1.5 gal/min (5.7 l/min)

Pressure: 60 psi (4.1 bar)

### Notes

Install this product according to the installation guide.

ADA, OBC, CSA B651 compliant when installed to the specific requirements of these regulations.