

Features

- Metal construction.
- Brass valve bodies.
- ADA compliant metal lever handles.
- For 8" (203 mm) or 16" (406 mm) centers.
- Pop-up drain with lift rod and tailpiece.
- 4-7/8" (124 mm) spout reach.
- Quarter-turn washerless ceramic disc valves.
- 1.5 gal/min (5.7 l/min) maximum flow rate [max at 60 psi (4.14 bar)].



ADA

Codes/Standards

ASME A112.18.1/CSA B125.1

NSF 61

NSF 372

DOE - Energy Policy Act 1992

EPA WaterSense®

ADA

ICC/ANSI A117.1






All applicable US Federal and State material regulations

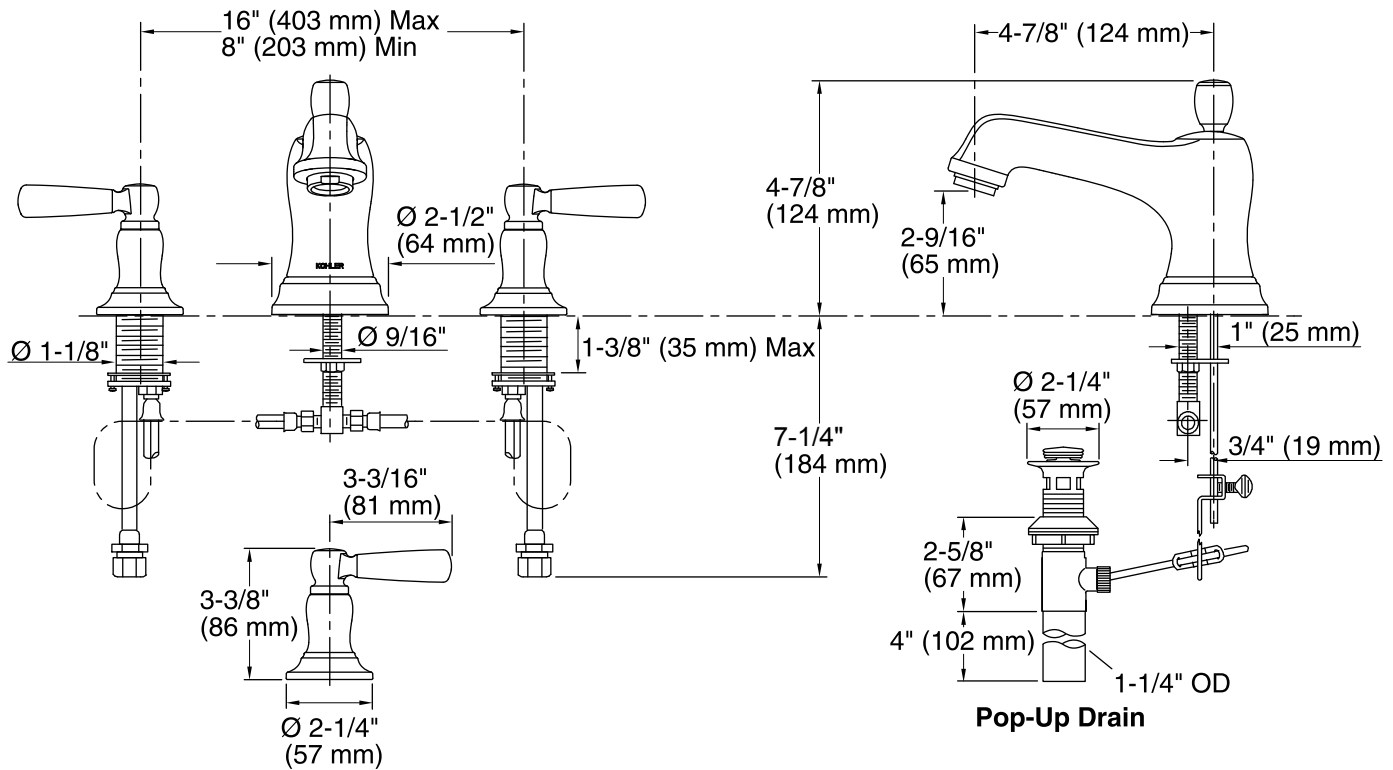
KOHLER® Faucet Lifetime Limited Warranty

See website for detailed warranty information.

Available Color/Finishes

Color tiles intended for reference only.

| Color | Code | Description |
|--|------|--------------------------|
|  | CP | Polished Chrome |
|  | SN | Vibrant® Polished Nickel |
|  | BN | Vibrant® Brushed Nickel |
|  | BV | Vibrant® Brushed Bronze |
|  | 2BZ | Oil-Rubbed Bronze |



Technical Information

All product dimensions are nominal.

Spout reach: 4-7/8" (124 mm)

Drain included: YES

Drain tailpiece included: YES

Drain tailpiece included:

Faucet:

Flow rate: 1.5 gal/min (5.7 l/min)

Pressure: 60 psi (4.1 bar)

Notes

Install this product according to the installation guide.

ADA compliant when installed to the specific requirements of these regulations.