



### Features

- Integral lumbar support and armrests for comfort.
- End drain.
- Textured bottom surface.
- 20" (508 mm) x 66" (1676 mm) x 42" (1067 mm)

### Material

- Acrylic

### Hydrotherapy

- Single-speed whirlpool offers 6 fully adjustable hydro-massage jets for water flow and direction.

### Installation

- Drop-in or under-mount.

### Required Accessories

K-11677 Bath Drain

### Recommended Accessories

K-1491 Bath/Whirlpool Pillow  
K-9696 Whirlpool 6-Jet Trim Kit  
K-1601 Bath/Whirlpool Footstop  
K-24916 Wireless Music Kit  
738



### Codes/Standards

ASME A112.19.7/CSA B45.10  
CSA B45.5/IAPMO Z124  
UL 1795  
Greenguard UL 2818 - Gold  
CARB P2




### KOHLER® One-Year Limited Warranty

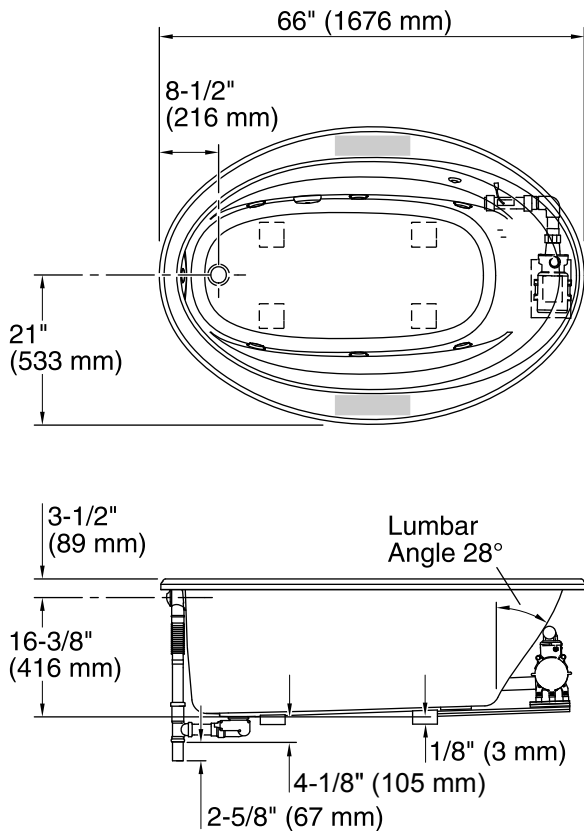
See website for detailed warranty information.

### Available Color/Finishes

*Color tiles intended for reference only.*

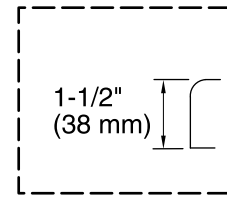
Color	Code	Description
-------	------	-------------

	0	White
	96	Biscuit
	47	Almond



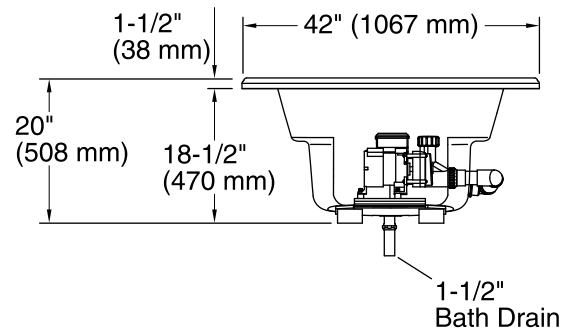
No change in measurements if connected with drain illustrated. (K-37382)

■ Recommended faucet area



**Drop-In Rim Detail**

Access Panel  
 20" (508 mm) W x  
 15" (381 mm) H



## Required Electrical Service

One dedicated circuit required, protected with Class A Ground-Fault Circuit-Interrupter (GFCI) or Residual Current Device (RCD).

Pump: 120 V, 15 A, 60 Hz

## Technical Information

All product dimensions are nominal.

Installation:	Drop-in, Under-mount
Drain location:	End
Basin area, bottom:	48-5/8" x 24-1/2" (1235 mm x 622 mm)
Basin area, top:	60" x 32-3/16" (1523 mm x 818 mm)
Minimum floor load:	34 lbs/ft <sup>2</sup> (166 kg/m <sup>2</sup> )
Water depth:	14-5/16" (364 mm)
Water capacity:	70 gal (265 L)
Template:	Drop-in, 1233384-7, not required, included Under-mount, 123, not required, not included
Electrical component rating:	Pump: 120 V, 7.5 A, 60 Hz
Pump speed:	Single
Minimum flat for door:	0" (0 mm)

## Notes

Measure your actual product for rough-in details.

Install this product according to the installation instructions.

The hot water supply should be 70% of the capacity of the bath or greater. Installations will vary.