

Features

- Vitreous china.
- Required minimum 12" (305 mm) rough-in.
- One-piece.
- Elongated bowl.
- Available with KOHLER Artist Editions designs.
- Dual flush flushing system.
- High efficiency 1.6 gpf (6.0 lpf) or 0.8 gpf (3.0 lpf).
- 2-1/8" (54 mm) fully glazed trapway.
- Skirted bowl design.
- Includes Saile seat and cover [K-4748] and polished chrome top-mount flush actuator.
- Less supply.
- 28-1/2" (724 mm) x 14-1/4" (362 mm) x 28-3/4" (730 mm).

Recommended Accessories

- K-7637 Angle Supply with Stop (single)
- K-9384 Dual-flush Actuator

Components

Product includes:

K-4748 Toilet Seat

Additional included component/s: Tank cover, Dual flush push buttons, Installation kit, Installation template, and Tank accessory pack.



Codes/Standards

- ASME A112.19.2/CSA B45.1
- ASME A112.19.14
- DOE - Energy Policy Act 1992
- EPA WaterSense®

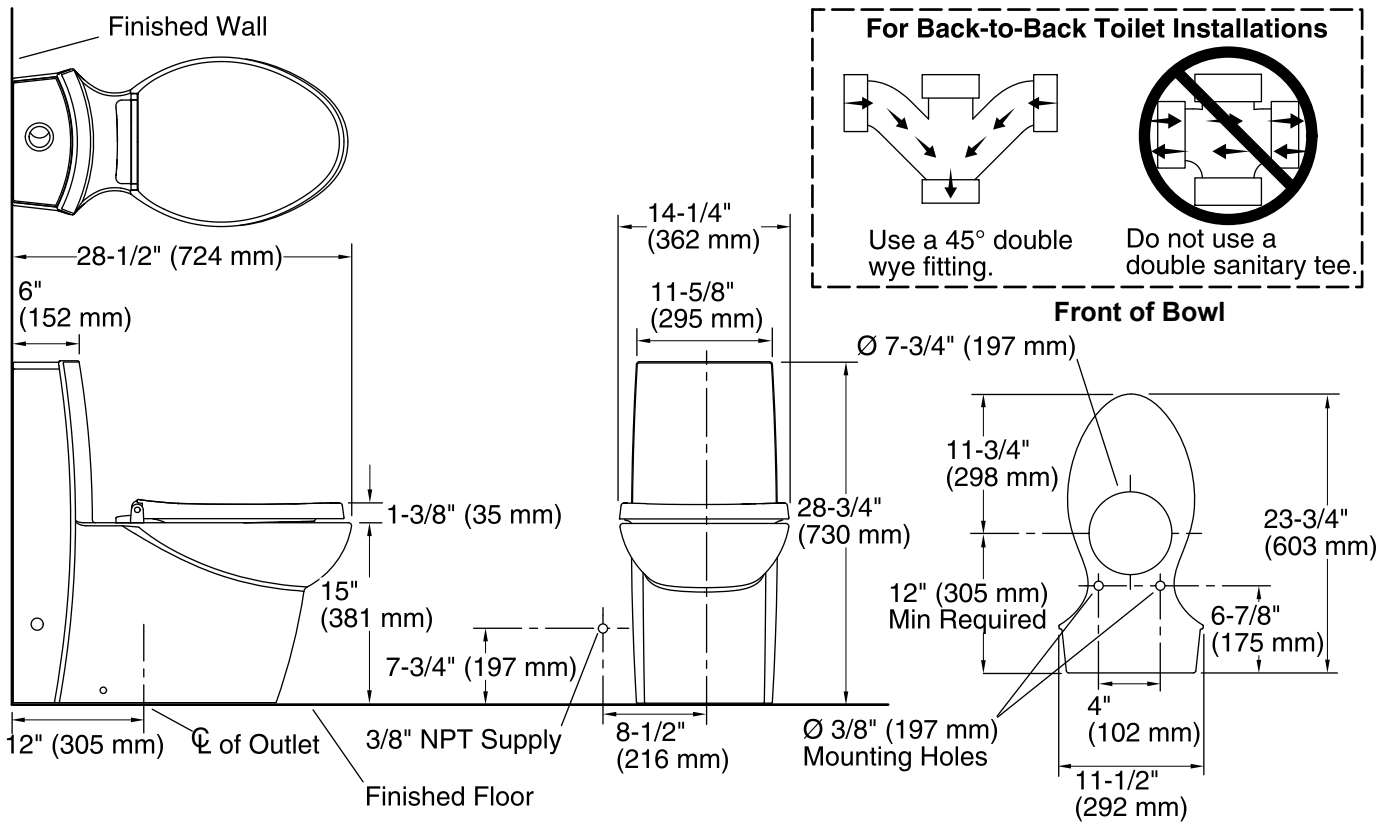
KOHLER® One-Year Limited Warranty

See website for detailed warranty information.

Available Color/Finishes

Color tiles intended for reference only.

Color	Code	Description
	0	White
	47	Almond
	96	Biscuit



Technical Information

All product dimensions are nominal.

Toilet type:	One-piece
Bowl shape:	Compact Elongated front
Seat hinge type:	Quick-Release™, Quick-Attach®
Trap passageway:	2-1/8" (54 mm)
Water Consumption	
Full:	1.6 gpf (6 lpf)
Reduced:	0.8 gpf (3 lpf)
Water surface size:	4-1/8" x 5-1/8" (105 mm x 130 mm)
Rough-in:	12" (305 mm)
Seat-mounting holes:	5-1/2" (140 mm)

Notes

Install this product according to the installation guide.

For back-to-back toilet installations: Use only a 45° double wye fitting.