



San Raphael®

Comfort Height™ Elongated Toilet

K-3597

Features

- One-piece toilets integrate the tank and bowl into a seamless, easy-to-clean design.
- Elongated bowl offers added room and comfort.
- Comfort Height® feature offers chair-height seating that makes sitting down and standing up easier for most adults.
- 1.0 gallon per flush (gpf).
- Equipped with Sloan Flushmate® Pressure Vessel.
- Seat and lid included.
- Supply line not included.

Technology

- Pressure Lite® flushing technology provides commercial-grade flushing power while reducing water use.

Installation

- Standard 12-inch rough-in.

Recommended Accessories

K-7637 Angle Supply with Stop (single)

Optional Accessories

K-4650 Toilet Seat

Components

Additional included component/s: Tank Cover, Bolt Cap Accessory Pack, Toilet Seat, and Tank Accessory Pack.



ADA

CSA B651

OBC

Codes/Standards

ASME A112.19.2/CSA B45.1

EPA WaterSense®

ADA

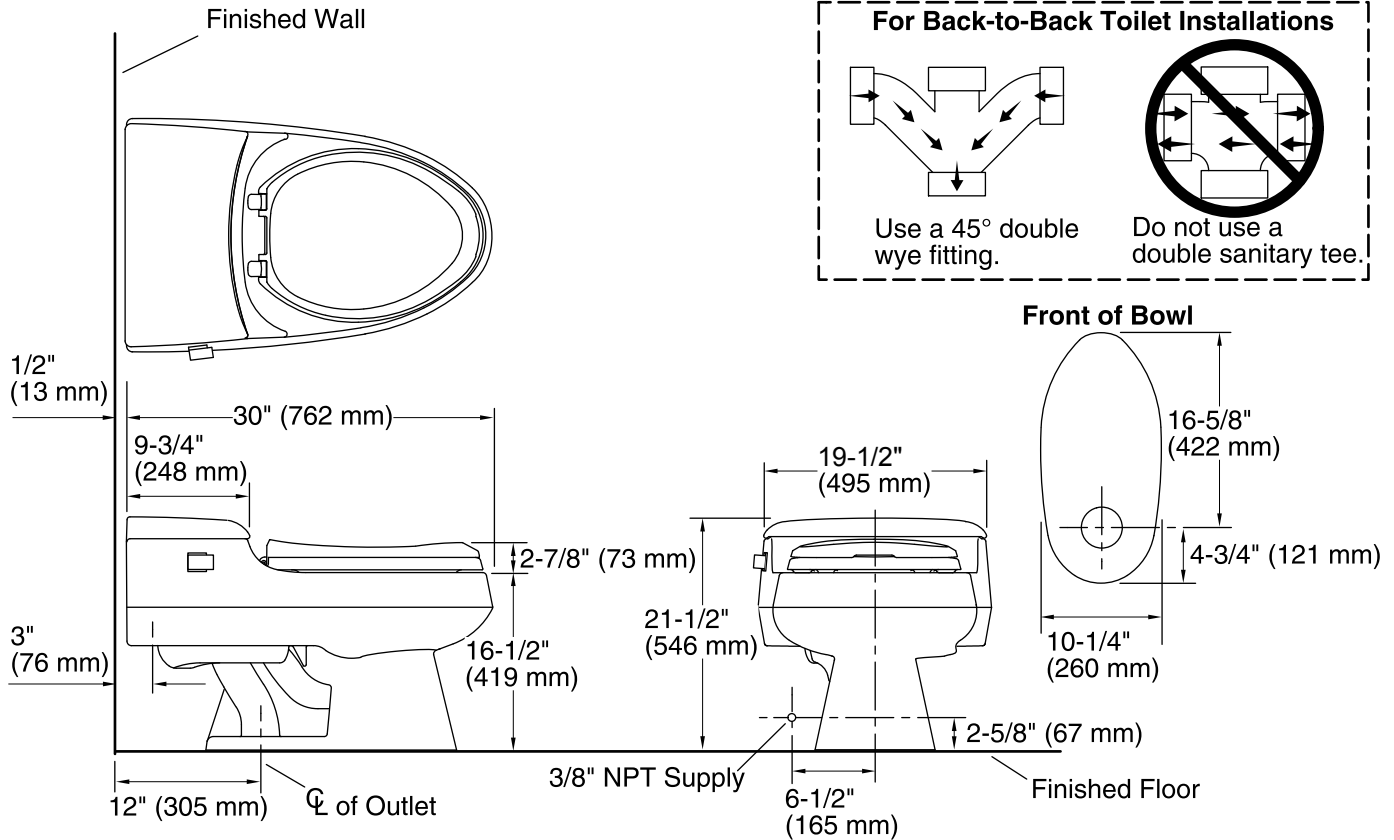
ICC/ANSI A117.1

CSA B651

OBC

Kohler One-Year Limited Warranty

See website for detailed warranty information.



Technical Information

All product dimensions are nominal.

Toilet type:	One-piece
Bowl shape:	Elongated front
Trap passageway:	2-1/8" (54 mm)
Water surface size:	9" x 7" (229 mm x 178 mm)
Rim to water surface:	5-7/8" (149 mm)
Rough-in:	12" (305 mm)
Seat-mounting holes:	5-1/2" (140 mm)

Fixture Supply Requirements

Min static pressure: 35 psi (241.3 kPa)

Notes

Install this product according to the installation guide.

For back-to-back toilet installations: Use only a 45° double wye fitting.

ADA, OBC, CSA B651 compliant when installed to the specific requirements of these regulations.

The Model Plumbing Codes require the installation of elongated open-front toilet seats on public bathrooms.