

Features

- Stepped base helps prevent towels from unrolling.
- Tension loop controls dispensing.
- Weighted base prevents tipping.
- Durable and rust-resistant.

Material

- Stainless-steel mast.



Codes/Standards


None Applicable

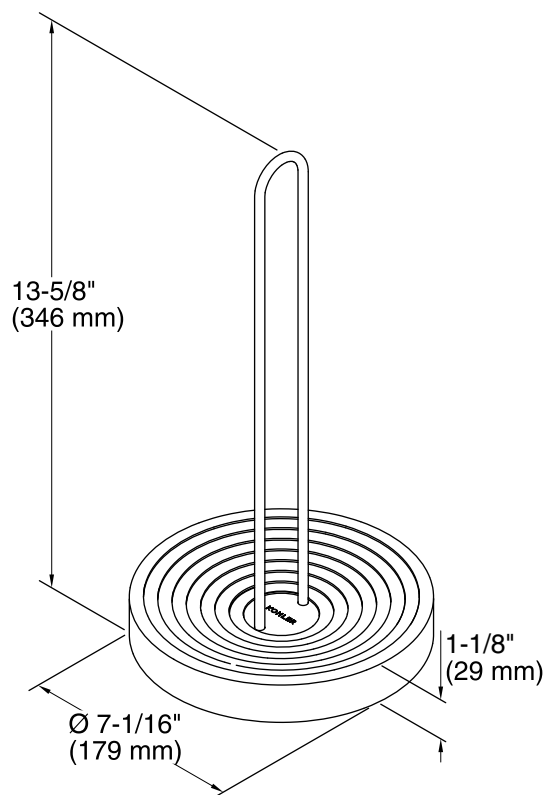
See website for detailed warranty information.

Available Color/Finishes

Color tiles intended for reference only.

Color	Code	Description
-------	------	-------------

	0	White
	CHR	



Technical Information

All product dimensions are nominal.