

Features

- Ergonomic spout design for one-handed pumping.
- Grip pad on base holds dispenser steady.
- Wide-mouth bottle for easy refilling.
- 10-oz. capacity.



Codes/Standards

None Applicable


KOHLER® One-Year Limited Warranty

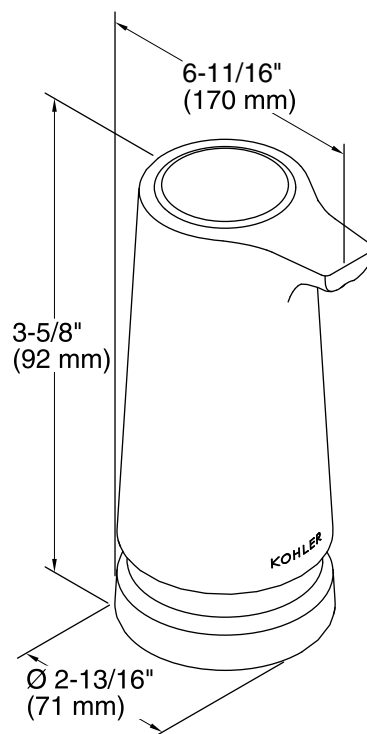
See website for detailed warranty information.

Available Color/Finishes

Color tiles intended for reference only.

Color	Code	Description
-------	------	-------------

	0	White
	CHR	



Technical Information

All product dimensions are nominal.