

Features

- *Flipstream Technology™*
- *Four unique, experiential spray patterns: Koverage™ Kotton™ Komotion™ Kurrent™*
- *Adjustable angle for various user heights*
- *1/2'-14 NPT connection*

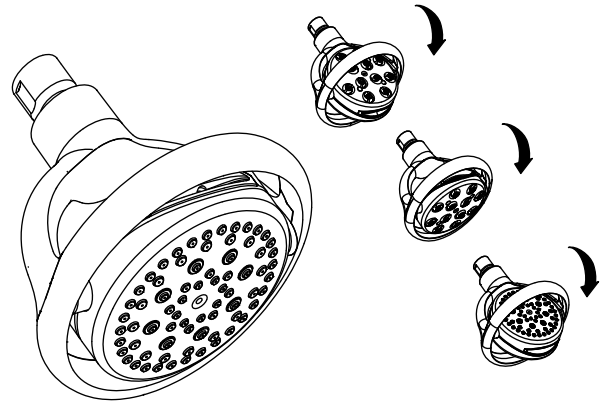
FOUR-FUNCTION SHOWERHEAD

K-15996
ALSO K-45427

Codes/Standards Applicable

Specified model meets or exceeds the following:

- *ASME A112.18.1/CSA B125.1*



Colors/Finishes

- CP: Polished Chrome
- Other: Refer to Price Book for additional colors/finishes

Accessories

- CP: Polished Chrome

Specified Model

Model	Description	Color/Finish	
K-15996	Four-function showerhead – 2.5 gpm (9.5 lpm)	<input type="checkbox"/> CP	<input type="checkbox"/> Other _____
K-45427	Four-function showerhead – 2.0 gpm (7.6 lpm)	<input type="checkbox"/> CP	<input type="checkbox"/> Other _____
Recommended Accessories			
K-7395	5-3/8" (137 mm) shower arm and flange	<input type="checkbox"/> CP	

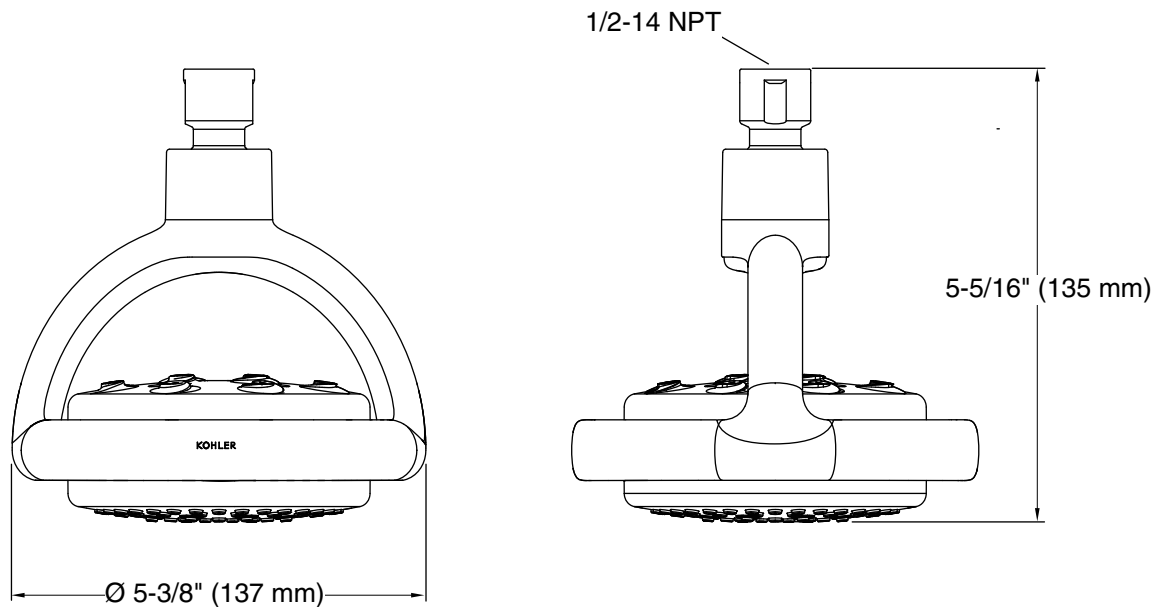
Product Specification

The four-function showerhead shall feature a sleek contemporary design with Flipstream Technology. Showerhead shall have four unique, experiential spray patterns: Koverage, Kotton, Komotion, and Kurrent. Showerhead shall have 1/2'-14 NPT connection. Showerhead shall have an adjustable angle for various user heights. Four-function showerhead shall be Kohler Model K-15996-____ or K-45427-____.

FLIPSIDE™ 01

Installation Notes

Install this product according to the installation guide.



Product Diagram