

Features

- Rust-free anodized aluminum cabinet box and polymer door
- For recessed or surface-mount installation
- Triple mirror design – front of door, back of door, and interior back of cabinet
- Four adjustable black-tinted glass shelves
- Ganging kit and side-mirror kit sold separately
- Reversible left-hand or right-hand door hinge option
- 107° self-closing hinges [K-2913-PG, K-2918-PG, K-2936-PG]
- 170° self-closing hinges [K-2938-PG, K-2939-PG, K-2943-PG]
- Removable door for easy installation and cleaning
- 15" (381 mm) x 36" (914 mm) x 4-3/4" (121 mm) [K-2913-PG, K-2938-PG]
- 20-1/8" (511 mm) x 36" (914 mm) x 4-3/4" (121 mm) [K-2918-PG, K-2939-PG]
- 24-1/8" (613 mm) x 36" (914 mm) x 4-3/4" (121 mm) [K-2936-PG, K-2943-PG]

Codes/Standards Applicable

Specified model meets or exceeds the following:

- None applicable

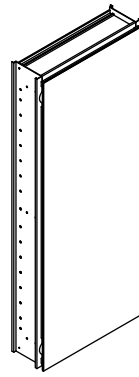
Specified Model

Model	Description	Colors/Finishes
K-2913-PG	Medicine cabinet with 107° door swing – plain glass	SAA
K-2918-PG	Medicine cabinet with 107° door swing – plain glass	SAA
K-2936-PG	Medicine cabinet with 107° door swing – plain glass	SAA
K-2938-PG	Medicine cabinet with 170° door swing – plain glass	SAA
K-2939-PG	Medicine cabinet with 170° door swing – plain glass	SAA
K-2943-PG	Medicine cabinet with 170° door swing – plain glass	SAA

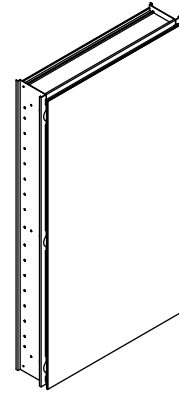
Optional Accessories		
K-2878	Side mirror kit for surface-mount installation	NA
K-2879	Ganging kit for multiple-cabinet installation	NA

MEDICINE CABINET K-2913

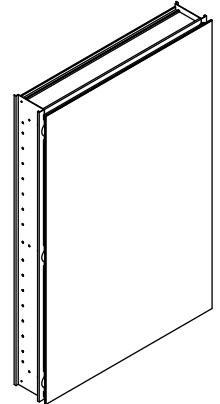
ALSO K-2918, K-2936, K-2938



K-2913-PG
K-2938-PG



K-2918-PG
K-2939-PG



K-2936-PG
K-2943-PG

Colors/Finishes

- SAA: Satin Anodized Aluminum

Accessories

- NA: None applicable

Product Specification

The medicine cabinet shall be either 15" (381 mm), 20-1/8" (511 mm), or 24-1/8" (613 mm) in width, 36" (914 mm) in height, and 4-3/4" (121 mm) in depth. Product shall have a rust-free anodized aluminum cabinet box and polymer door. Product shall be for recessed or surface-mount installation. Product shall feature a triple-mirror design with a mirror on the front of door, back of door, and interior back of cabinet. Product shall include four adjustable black-tinted glass shelves. Ganging kit and side mirror kit shall be sold separately. Product shall feature a reversible left-hand or right-hand door hinge option with either 107° or 170° opening capability. Product shall have a removable door for easy installation and cleaning. Medicine cabinet shall be Kohler models K-____-PG-SAA.

CATALAN™

Technical Information

Roughing-in opening for recess-mount installations:	
14-1/4" (362 mm) x 35-3/8" (899 mm) x 4" (102 mm)	K-2913-PG K-2938-PG
19-3/8" (492 mm) x 35-3/8" (899 mm) x 4" (102 mm)	K-2918-PG K-2939-PG
23-3/8" (594 mm) x 35-3/8" (899 mm) x 4" (102 mm)	K-2936-PG K-2943-PG

Installation Notes

Install this product according to the installation guide.

When determining the height of the medicine cabinet, ensure the mirrored door will clear all obstacles (such as a faucet). A minimum distance of 3" (76 mm) is required.

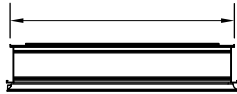
Secure the screws (provided) to a stud to avoid possible property and product damage. If this is not possible, anchors (not provided) must be inserted before installing the screws.

To find the combined roughing-in width for joined cabinets, add the roughing-in width for each cabinet and add 1" (25 mm) for each ganging kit.

K-2913-PG, K-2938-PG = 14-1/4" (362 mm)

K-2918-PG, K-2939-PG = 19-3/8" (492 mm)

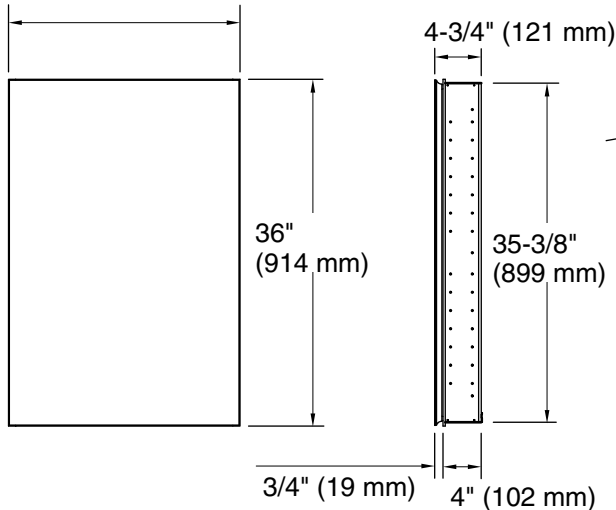
K-2936-PG, K-2943-PG = 23-3/8" (594 mm)



K-2913-PG, K-2938-PG = 15" (381 mm)

K-2918-PG, K-2939-PG = 20-1/8" (511 mm)

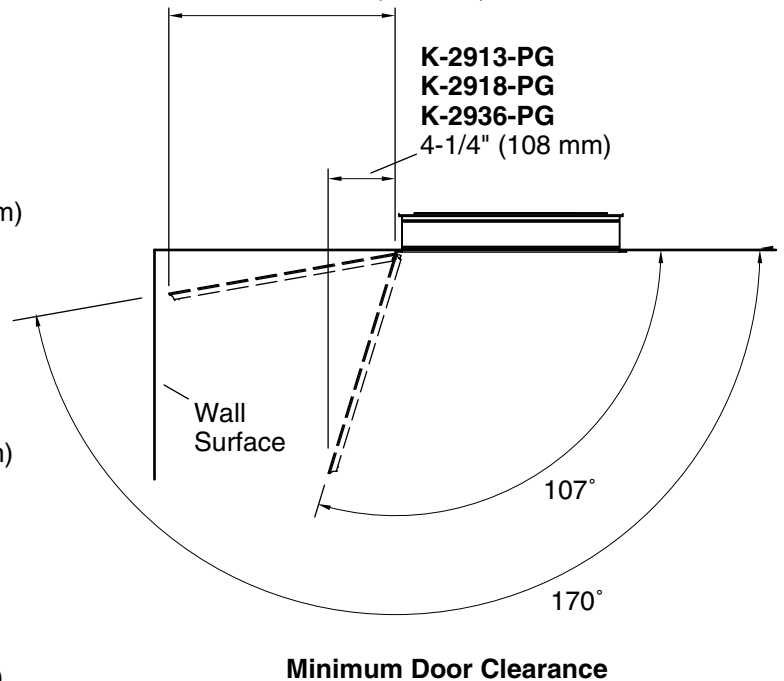
K-2936-PG, K-2943-PG = 24-1/8" (613 mm)



K-2938-PG = 15" (381 mm)

K-2939-PG = 20-1/8" (511 mm)

K-2943-PG = 24-1/8" (613 mm)



Product Diagram