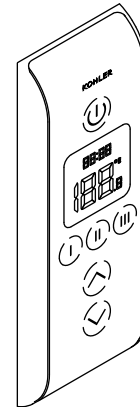


3-OUTLET DIGITAL SHOWER INTERFACE K-558

Features

- Digitally-controlled
- High-temperature limit setting for added safety
- Mounts on finished wall surface
- One-touch control of three valve outlets
- Interface includes a 20-foot (6.1 m) cable
- Low-profile design
- Selectable Fahrenheit or Celsius
- Selectable outlet delivery



Codes/Standards Applicable

Specified model meets or exceeds the following:

- FCC Part 15
- UL 1951

Colors/Finishes

- 1CP: Complements Chrome Finishes
- 1SN: Complements Nickel Finishes
- 0: White
- 7: Black Black™

Accessories

- CP: Polished Chrome
- SN: Vibrant® Polished Nickel
- BN: Brushed Nickel
- BL: Matte Black

Specified Model

Model	Description	Colors/Finishes			
K-558	DTV Prompt 3-outlet digital shower interface	<input type="checkbox"/> 1CP	<input type="checkbox"/> 1SN	<input type="checkbox"/> 0	<input type="checkbox"/> 7
Required Accessories					
K-557-K	Thermostatic valve - digital 3-port	<input type="checkbox"/> NA			
K-559	Wall-mounting bracket	<input type="checkbox"/> CP	<input type="checkbox"/> SN	<input type="checkbox"/> BN	<input type="checkbox"/> BL

Product Specification

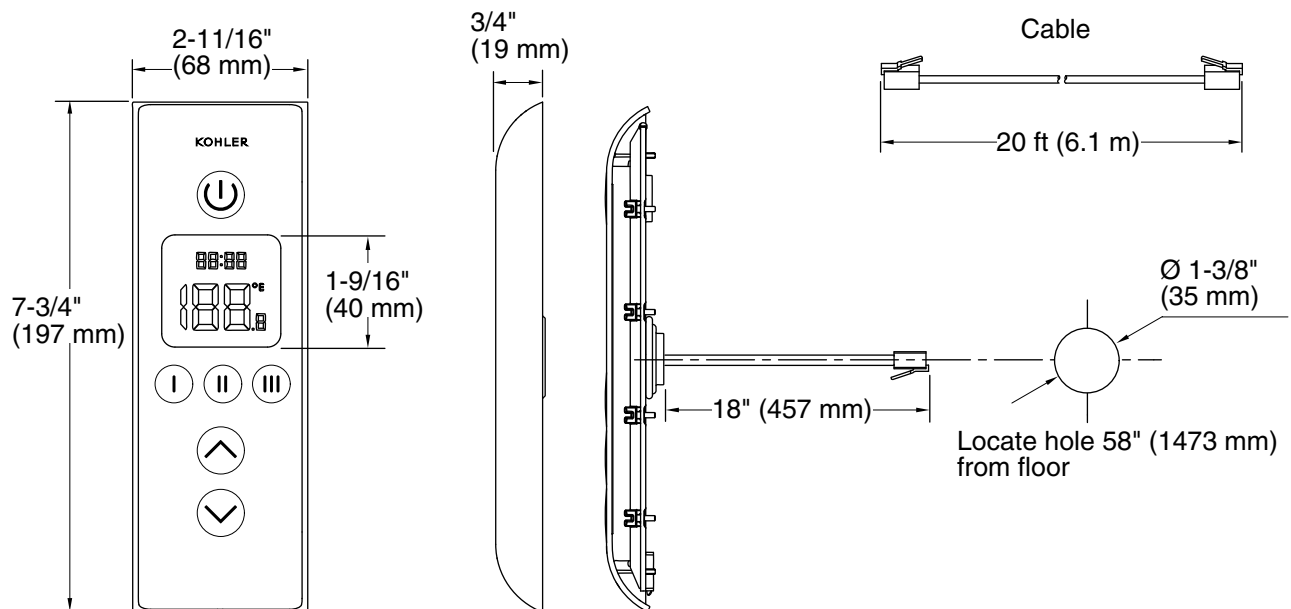
Digital interface shall mount on finished wall surface. Interface shall be digitally-controlled. Interface shall include a high-temperature limit setting for added safety. Interface shall feature one-touch control of three valve outlets. Interface includes a 20-foot (6.1 m) cable. Interface shall feature low-profile design. Interface shall have selectable Fahrenheit or Celsius and selectable outlet delivery. Digital interface shall be Kohler Model K-558-_____.

DTV PROMPT®

Installation Notes

Install this product according to the installation guide.

Recommended install height 58" (1473 mm) from floor to center of interface.



Product Diagram