

Features

- Available 54 or 22 nozzle configurations
- 2.5 gallons (9.5 L) per minute maximum flow rate (at 80 psi)
- 1/2" NPT connections

BODYSPRAY
K-8002
ALSO K-8003

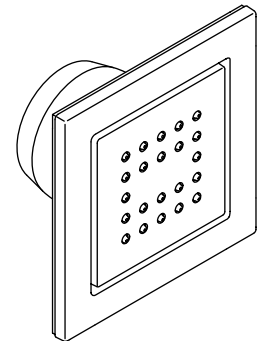
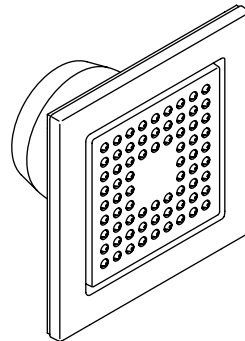
Codes/Standards Applicable

Specified model meets or exceeds the following:

- ASME A112.18.1
- CSA B125
- IAPMO/UPC
- Energy Policy Act of 1992 (EPACT)

K-8002

K-8003



Colors/Finishes

- CP: Polished Chrome
- Other: Refer to Price Book for additional colors/finishes

Specified Model

| Model | Description | Colors/Finishes | |
|--------|---------------------|-----------------------------|-------------------------------------|
| K-8002 | 54 nozzle Bodyspray | <input type="checkbox"/> CP | <input type="checkbox"/> Other_____ |
| K-8003 | 22 nozzle Bodyspray | <input type="checkbox"/> CP | <input type="checkbox"/> Other_____ |

Product Specification

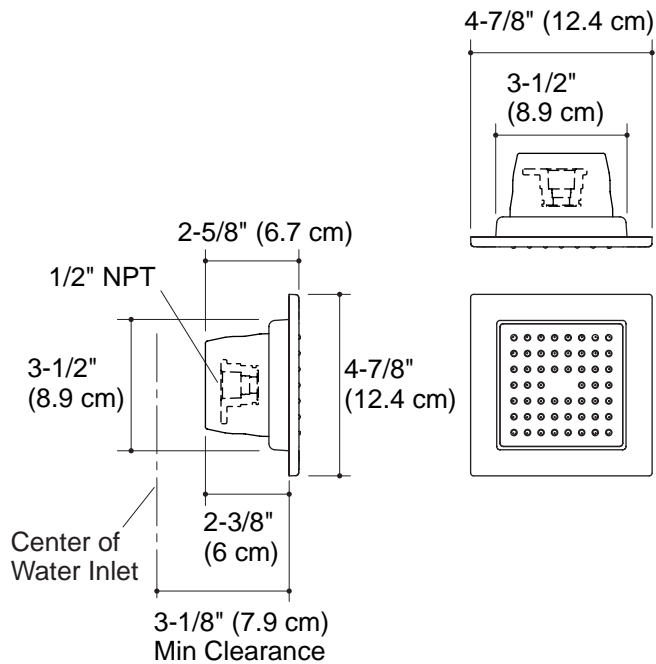
Bodyspray shall feature 54 nozzle or 22 nozzle spray configurations. Product flow rate shall be 2.5 gallons (9.5 L) per minute maximum at 80 psi. Bodyspray shall have 1/2" NPT connection. Bodyspray shall be Kohler Model K-____-____.

WATERTILE™

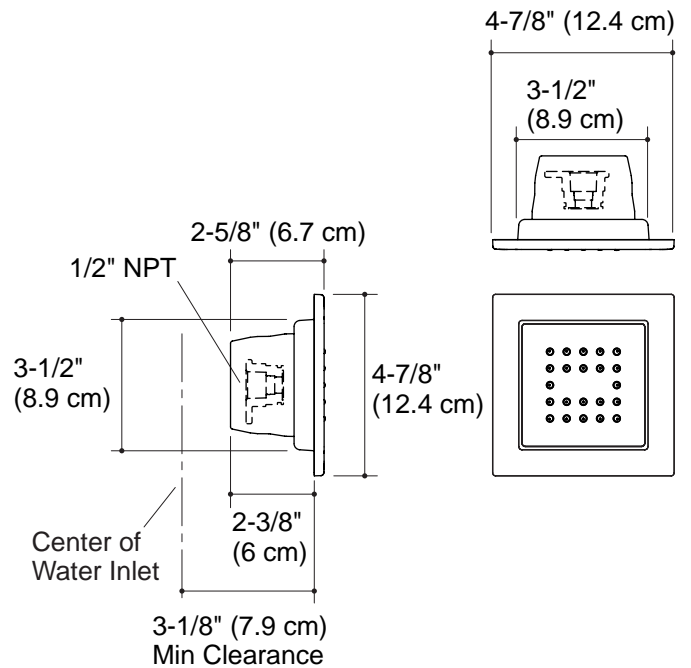
Installation Notes

Install this product according to the installation guide.

K-8002



K-8003



Product Diagram