

KITCHEN SINK K-5818

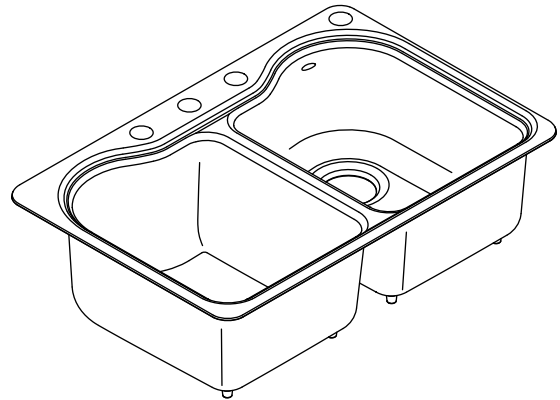
Features

- KOHLER cast iron
- Acid-resistant enamel finish
- Double (equal) bowl
- Top-mount or under-mount
- Available with single-hole (-1), 2-hole (-2), 3-hole (-3), 4-hole (-4), or 5-hole (-5)
- 33" (838 mm) x 22" (559 mm)

Codes/Standards Applicable

Specified model meets or exceeds the following:

- ASME A112.19.1/CSA B45.2



Colors/Finishes

- 0: White
- Other: Refer to Price Book for additional colors/finishes

Accessories

- 0: White
- CP: Polished Chrome
- NA: None applicable
- Other: Refer to Price Book for additional colors/finishes

Specified Model

Model	Description	Colors/Finishes	
K-5818-1	Top-mount kitchen sink – single-hole	<input type="checkbox"/> 0	<input type="checkbox"/> Other_____
K-5818-2	Top-mount kitchen sink – 2-hole	<input type="checkbox"/> 0	<input type="checkbox"/> Other_____
K-5818-3	Top-mount kitchen sink – 3-hole	<input type="checkbox"/> 0	<input type="checkbox"/> Other_____
K-5818-4	Top-mount kitchen sink – 4-hole	<input type="checkbox"/> 0	<input type="checkbox"/> Other_____
K-5818-5U	Under-mount kitchen sink – 5-hole	<input type="checkbox"/> 0	<input type="checkbox"/> Other_____

Optional Accessories

K-5917	Hardwood countertop cutting board		<input type="checkbox"/> NA	
K-6016L	Bottom bowl rack (left bowl)	<input type="checkbox"/> 0		<input type="checkbox"/> Other_____
K-6016R	Bottom bowl rack (right bowl)	<input type="checkbox"/> 0		<input type="checkbox"/> Other_____

Product Specification

The top-mount or under-mount kitchen sink shall be made of cast iron with acid-resistant enamel finish. Sink shall be 33" (838 mm) in length and 22" (559 mm) in width. Sink shall have double (equal) bowl. Top-mount sink shall be single-hole (-1), 2-hole (-2), 3-hole (-3), 4-hole (-4) and under-mount sink shall be 5-hole (-5U). Sink shall be Kohler Model K-5818-____-____.

HARTLAND™

Optional Accessories

K-6603L	Wire rinse basket (left bowl)	<input type="checkbox"/> 0		<input type="checkbox"/> Other _____
K-6603R	Wire rinse basket (right bowl)	<input type="checkbox"/> 0		<input type="checkbox"/> Other _____
K-9000	P-Trap		<input type="checkbox"/> CP	

Technical Information

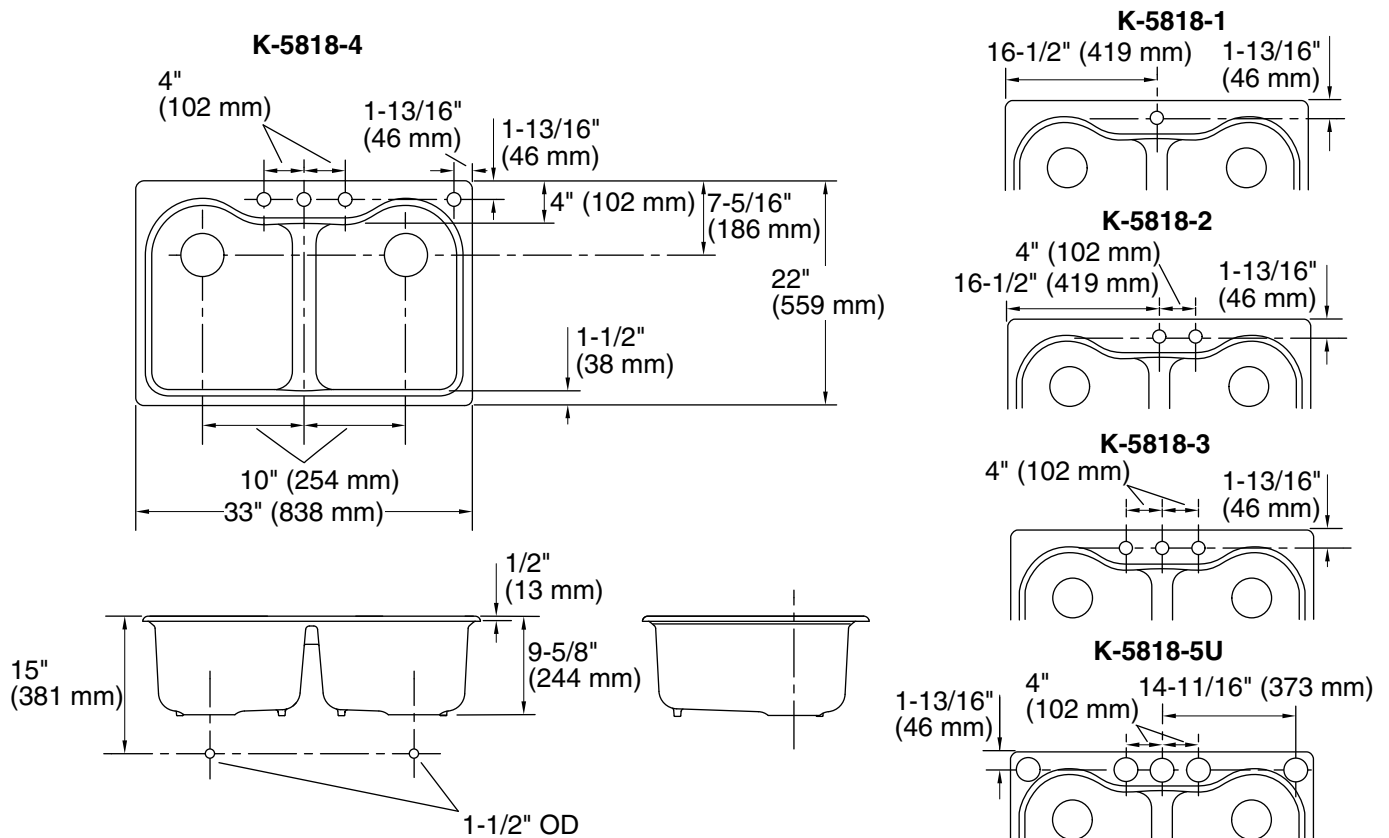
Fixture*:	
Bowl area	14-1/8" (359 mm) x 16-1/4" (413 mm)
Water depth	9" (229 mm)
Drain holes	Ø 3-7/8" (98 mm)
Faucet holes	Top-mount: Ø 1-3/8" (35 mm) Under-mount: Ø 2-3/8" (60 mm)
* Approximate measurements for comparison only.	

Included components:	
Cut-out template	1125670-7
Under-mount sink kit 23" (584 mm)	1054375

Installation Notes

Install this product according to the installation guide.

NOTICE: The countertop manufacturer or cutter **must** use the cut-out template provided with the product, or a current one provided by the Kohler Co. (Call 1-800-4-KOHLER.) Kohler Co. is not responsible for cut-out errors when the incorrect cut-out template is used.



Product Diagram