

**KITCHEN SINK FAUCET
K-6227**

ADA

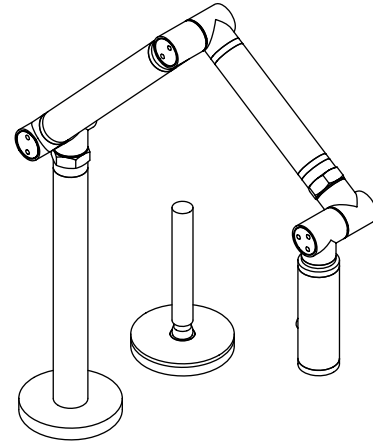
Features

- Metal construction
- One-piece, self-contained ceramic disc valve allows both volume and temperature control
- Flexible connections for easy installation
- 2.2 gallons (8.3 L) per minute maximum flow rate
- Lower flow aerator options are available (refer to the Kohler Price Book)
- 2" (5.1 cm) diameter remote valve with lever handle
- 1-1/2" (3.8 cm) to 13-1/4" (33.7 cm) spout reach
- For countertop-mount installation

Codes/Standards Applicable

Specified model meets or exceeds the following:

- NSF 61
- Energy Policy Act of 1992
- ADA
- ASME A112.18.1/CSA B125.1
- IAPMO/cUPC



Colors/Finishes

- CP: Polished Chrome
- VS: Stainless Steel
- Other: Refer to Price Book for additional colors/finishes

Specified Model

Model	Description	Colors/Finishes
K-6227	Kitchen sink faucet	<input type="checkbox"/> CP <input type="checkbox"/> VS <input type="checkbox"/> Other ____

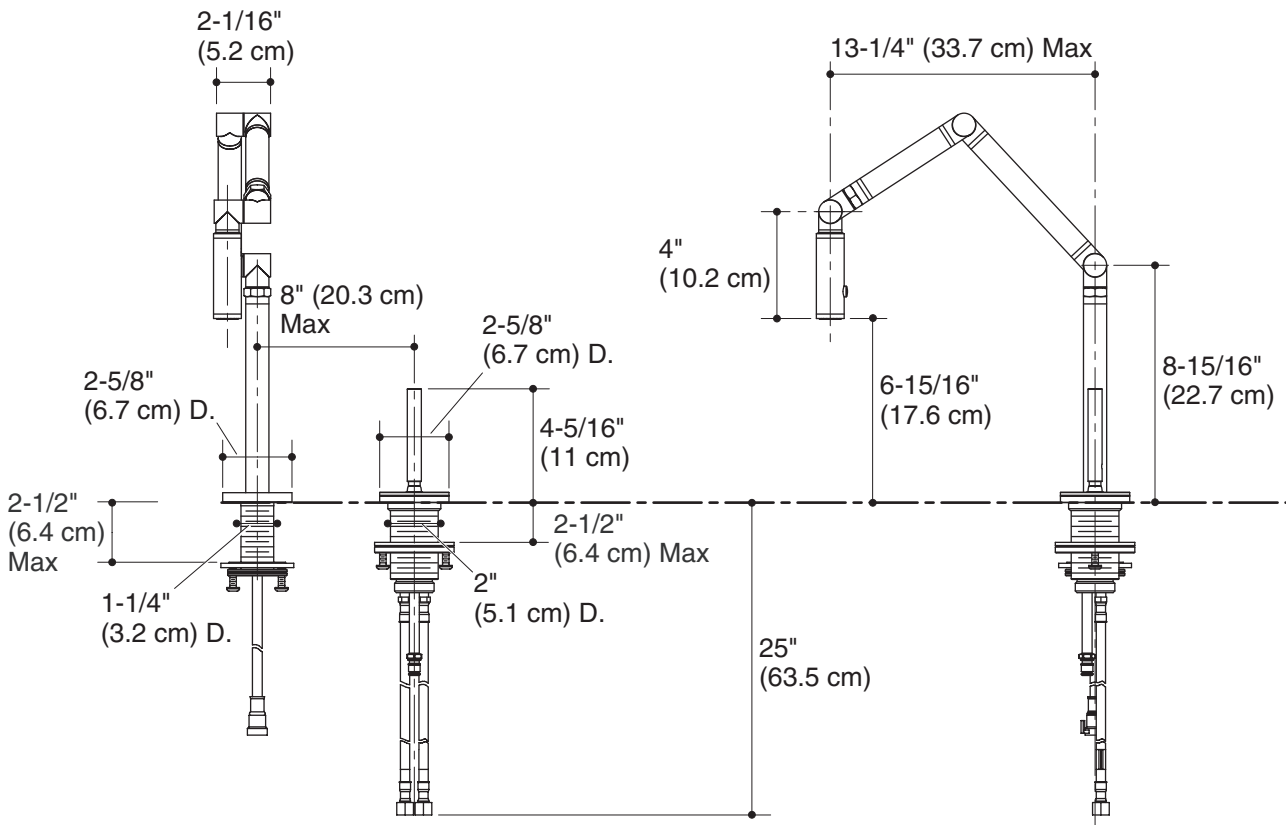
Product Specification

The kitchen sink faucet shall be of metal construction. Product shall feature a one-piece, self-contained ceramic disc valve, which allows both volume and temperature control. Product shall feature a 2" (5.1 cm) diameter remote valve with lever handle and a 1-1/2" (3.8 cm) to 13-1/4" (33.7 cm) spout reach. Product shall be for a countertop-mount installation. Product shall have a maximum flow rate of 2.2 gallons (8.3 L) per minute with lower flow aerator options available (refer to the Kohler Price Book). Product shall feature flexible connections for easy installation. Faucet shall be Kohler Model K-6227-____.

KARBON™

Installation Notes

NOTICE: Due to the non-standard 2" (5.1 cm) diameter of the remote valve, the remote valve **cannot** be mounted through a standard 1-3/8" (3.5 cm) faucet hole of a sink. Choose a sink without faucet holes, then mount the faucet and remote valve through the countertop. Refer to the countertop manufacturer's instructions for proper hole drilling. Install this product according to the installation guide.



Product Diagram