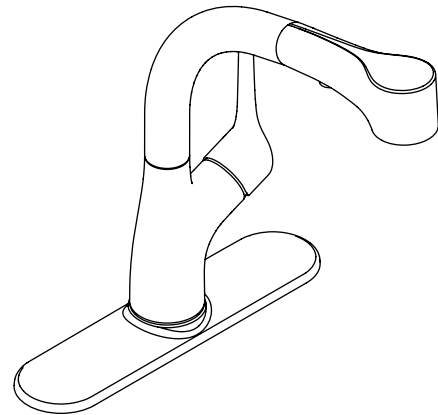


**PULLOUT KITCHEN SINK FAUCET  
K-13963**

**ADA**

**Features**

- Metal construction
- One-piece, self-contained ceramic disc valve allows both volume and temperature control
- Temperature memory allows faucet to be turned on and off at any temperature setting
- Integral pullout sprayhead with retractable hose
- Compact three-function sprayhead with spray, aerated flow, and pause functions
- Contemporary styling
- 10-1/2" (267 mm) escutcheon plate for three-hole installation
- Flexible connections for easy installation
- Meets CALGreen requirements for kitchen faucets
- 1.8 gallons (6.8 L) per minute maximum flow rate at 60 psi (4.1 bar)
- 9" (229 mm) spout reach



**Codes/Standards Applicable**

Specified model meets or exceeds the following at date of manufacture:

- ADA
- ASME A112.18.1/CSA B125.1
- ICC/ANSI A117.1
- NSF 61
- Energy Policy Act of 1992
- All applicable US Federal and State material regulations

**Colors/Finishes**

- CP: Polished Chrome
- VS: Stainless Steel
- Other: Refer to Price Book for additional colors/finishes

**Specified Model**

| Model   | Description                 | Colors/Finishes             |                             |                                      |
|---------|-----------------------------|-----------------------------|-----------------------------|--------------------------------------|
| K-13963 | Pullout kitchen sink faucet | <input type="checkbox"/> CP | <input type="checkbox"/> VS | <input type="checkbox"/> Other _____ |

| Optional Accessories |   |
|----------------------|---|
| 1177879              | Low flow kit – reduces maximum flow to 1.5 gpm (5.7 L) at 60 psi (4.1 bar)  |
| 1177880              | High flow kit – reduces maximum flow to 2.2 gpm (8.3 L) at 60 psi (4.1 bar) |

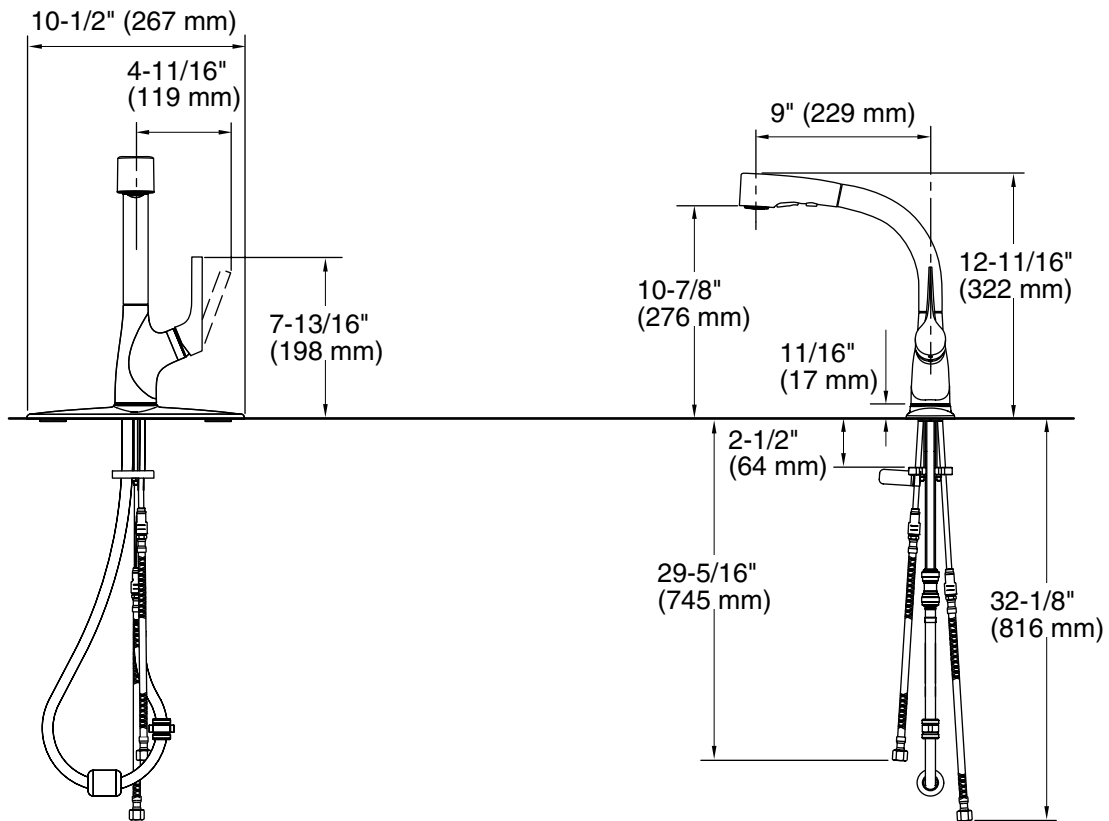
**Product Specification**

The pullout kitchen sink faucet with contemporary styling shall be of metal construction. Product shall have a maximum flow rate of 1.8 gallons (6.8 L) per minute at 60 psi (4.1 bar). Product shall feature a one-piece, self-contained ceramic disc valve, allowing both volume and temperature control. Product shall feature temperature memory, allowing the faucet to be turned on and off at any temperature setting. Product shall feature a 9" (229 mm) spout reach, and flexible connections for easy installation. Product shall feature an integral pullout sprayhead with retractable hose. Product shall feature a compact three-function sprayhead with spray, aerated flow, and pause functions. Product shall include a 10-1/2" (267 mm) escutcheon plate for three-hole installation. Product shall meet CalGreen requirements for kitchen faucets. Pullout kitchen faucet shall be Kohler Model K-13963-\_\_\_\_\_.

# ELATE™

## Installation Notes

Install this product according to the installation guide.



## Product Diagram