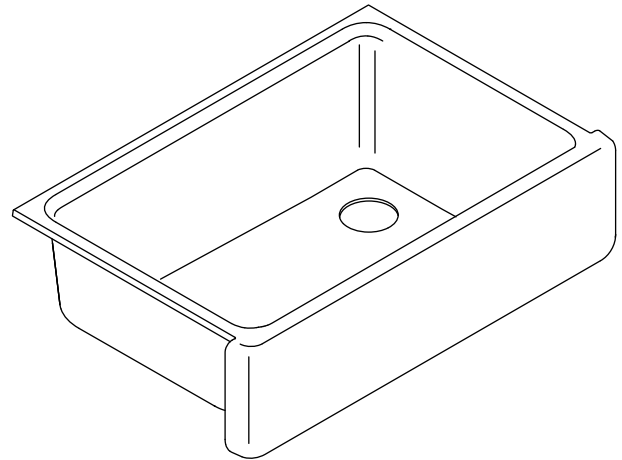


Features

- KOHLER cast iron
- Acid-resistant enamel finish
- Single bowl
- Under-mount
- With 8-13/16" (224 mm) Self-Trimming® integral apron
- Fits a 33" apron sink base cabinet
- 32-11/16" (830 mm) x 21-9/16" (548 mm)

UNDER-MOUNT SELF-TRIMMING® APRON FRONT SINK K-5827



Codes/Standards Applicable

Specified model meets or exceeds the following:

- ASME A112.19.1/CSA B45.2

Colors/Finishes

- 0: White
- Other: Refer to Price Book for additional colors/finishes

Accessories:

- CP: Polished Chrome
- ST: Stainless Steel
- Other: Refer to Price Book for additional colors/finishes

Specified Model

Model	Description	Colors/Finishes	
K-5827	Under-mount Self-Trimming apron front sink - tall apron	<input type="checkbox"/> 0	<input type="checkbox"/> Other_____
Recommended Accessories			
K-9000	P-Trap		<input type="checkbox"/> CP
Optional Accessories			
K-6449	Stainless steel bottom bowl rack		<input type="checkbox"/> ST
K-8801	Duostrainer® sink strainer	<input type="checkbox"/> CP	<input type="checkbox"/> Other_____

Product Specification

The kitchen sink shall be made of KOHLER cast iron with acid-resistant enamel finish. Sink shall be 32-11/16" (830 mm) in length and 21-9/16" (548 mm) in width. Sink shall be under-mount and single bowl with 8-13/16" (224 mm) Self-Trimming integral apron. Sink shall fit a 33" apron sink base cabinet. Kitchen sink shall be Kohler Model K-5827-_____.

WHITEHAVEN®

Technical Information

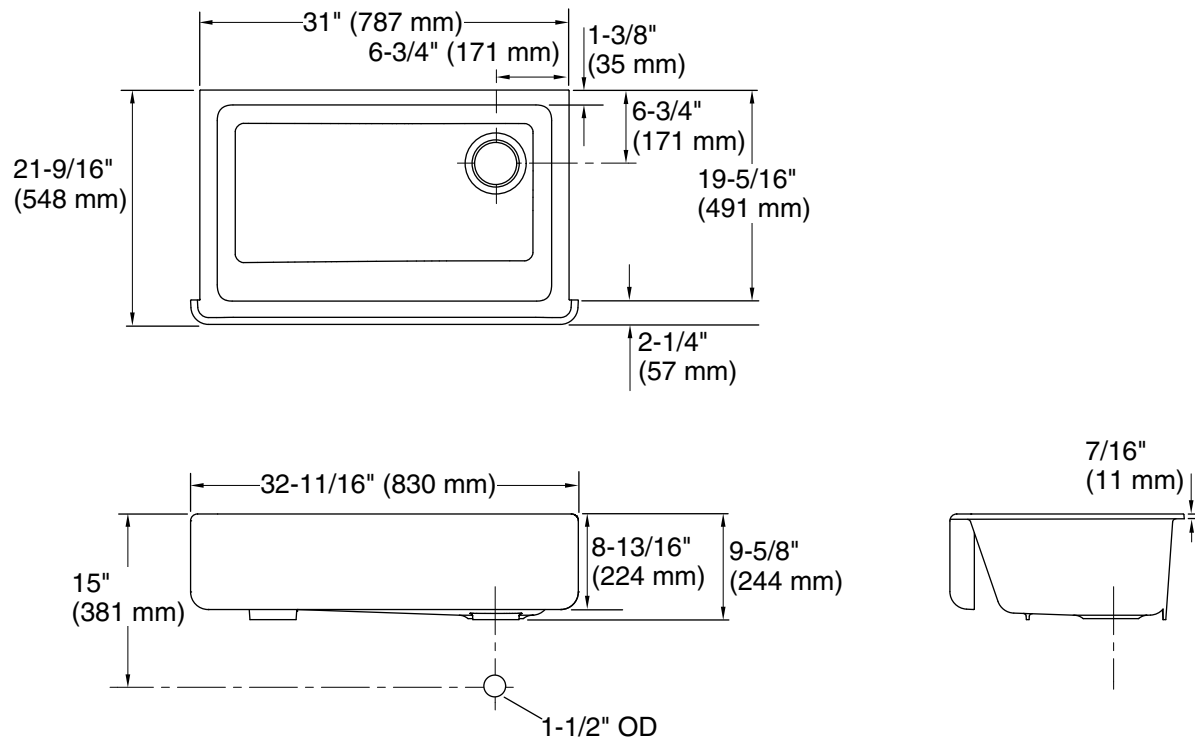
Fixture:*	
Bowl area	27-3/4" (705 mm) x 18-1/16" (459 mm)
Water depth	9" (229 mm)
Drain hole	Ø 3-5/8" (92 mm)
* Approximate measurements for comparison only.	
Included components:	
Countertop cutout template	1214395-7
Cabinet face cutout template	1214397

Installation Notes

Install this product according to the installation guide.

NOTICE: Countertop manufacturer or cutter must use the current product template available at www.kohler.com, or by calling 1-800-4KOHLER. Kohler Co. is not responsible for cutout errors when the incorrect cutout template is used.

IMPORTANT! The distance from the top edge of the cabinet to the top of the cabinet door must be at least 9" (229 mm) to install this sink.



Product Diagram