

Features

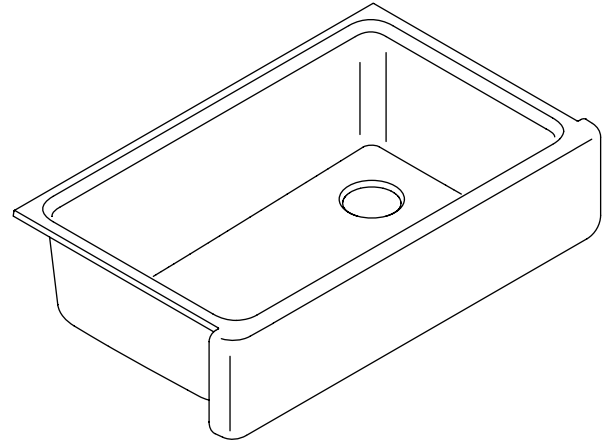
- KOHLER cast iron
- Acid-resistant enamel finish
- Single compartment
- Undercounter
- With 8-13/16" (22.4 cm) self-trimming, integral apron
- Fits a 36" (91.4 cm) apron sink base cabinet
- 35-11/16" (90.6 cm) x 21-9/16" (54.8 cm)

Codes/Standards Applicable

Specified model meets or exceeds the following:

- ASME A112.19.1/CSA B45.2

UNDERCOUNTER SELF-TRIMMING APRON FRONT SINK K-6489



Colors/Finishes

- 0: White
- Other: Refer to Price Book for additional colors/finishes

Accessories:

- CP: Polished Chrome
- ST: Stainless Steel
- Other: Refer to Price Book for additional colors/finishes

Specified Model

Model	Description	Colors/Finishes		
K-6489	Undercounter self-trimming apron front sink – tall apron	<input type="checkbox"/> 0	<input type="checkbox"/> Other_____	
Recommended Accessories				
K-9000	P-Trap	<input type="checkbox"/> CP		
Optional Accessories				
K-6639	Stainless steel bottom basin rack	<input type="checkbox"/> ST		
K-8801	Duostrainer® sink strainer		<input type="checkbox"/> CP	<input type="checkbox"/> Other_____

Product Specification

The kitchen sink shall be made of cast iron with acid-resistant enamel finish. Sink shall be 35-11/16" (90.6 cm) in length and 21-9/16" (54.8 cm) in width. Sink shall be undercounter and single compartment with 8-13/16" (22.4 cm) self-trimming, integral apron. Sink shall fit a 36" (91.4 cm) apron sink base cabinet. Sink shall be Kohler Model K-6489-_____.

WHITEHAVEN

Technical Information

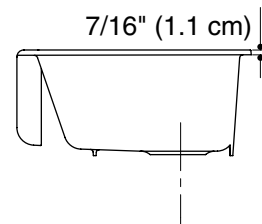
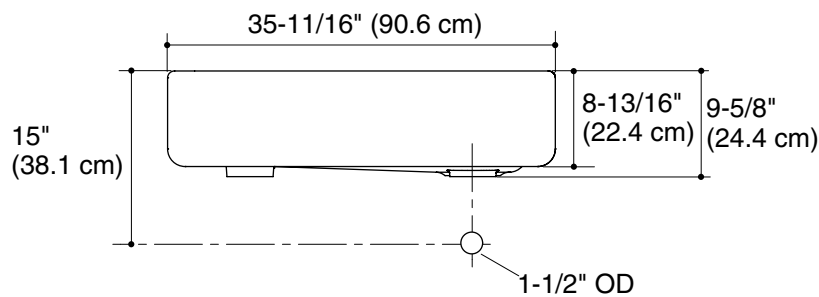
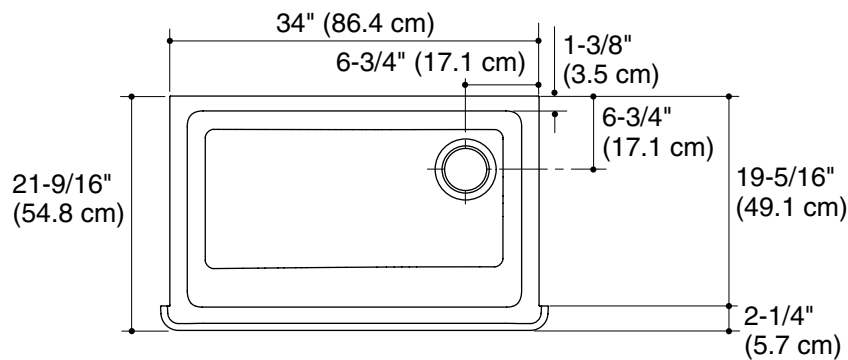
Fixture*	
Basin area	30-3/4" (78.1 cm) x 18-1/16" (45.9 cm)
Water depth	9" (22.9 cm)
Drain hole	3-5/8" (9.2 cm) D.
* Approximate measurements for comparison only.	

Included components:	
Countertop cut-out template	1156910-7
Cabinet face cut-out template	1157001

Installation Notes

Install this product according to the installation guide.

IMPORTANT! The distance from the top edge of the cabinet to the top of the cabinet door must be at least 9" (22.9 cm) to install this sink.



Product Diagram