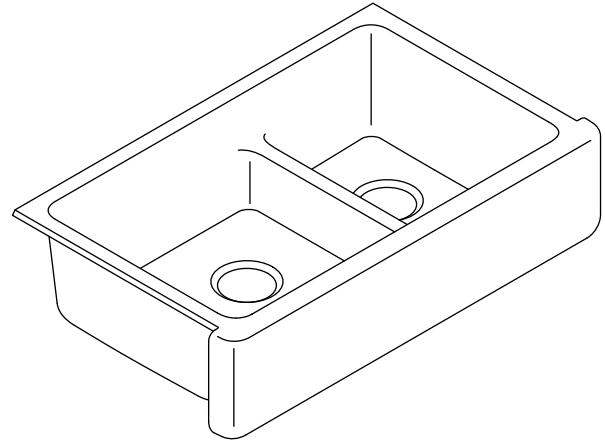


Features

- KOHLER cast iron
- Acid-resistant enamel finish
- Double (small/large) bowl
- Smart Divide™ lowered divider
- Under-mount
- With 8-13/16" (224 mm) Self-Trimming integral apron
- Fits a 36" apron sink base cabinet
- 35-11/16" (906 mm) x 21-9/16" (548 mm)

SELF-TRIMMING® UNDER-MOUNT APRON FRONT SINK K-6427



Codes/Standards Applicable

Specified model meets or exceeds the following:

- ASME A112.19.1/CSA B45.2

Colors/Finishes

- 0: White
- Other: Refer to Price Book for additional colors/finishes

Accessories:

- CP: Polished Chrome
- ST: Stainless Steel
- Other: Refer to Price Book for additional colors/finishes

Specified Model

Model	Description	Colors/Finishes		
K-6427	Self-Trimming under-mount apron front sink – tall apron	<input type="checkbox"/> 0	<input type="checkbox"/> Other_____	
Recommended Accessories				
K-9000	P-Trap	<input type="checkbox"/> CP		
Optional Accessories				
K-5828	Stainless steel bottom bowl rack – large	<input type="checkbox"/> ST		
K-5874	Stainless steel bottom bowl rack – small	<input type="checkbox"/> ST		
K-8801	Duostrainer® sink strainer		<input type="checkbox"/> CP	<input type="checkbox"/> Other_____

Product Specification

The kitchen sink shall be made of cast iron with acid-resistant enamel finish. Sink shall be 35-11/16" (906 mm) in length and 21-9/16" (548 mm) in width. Sink shall feature double (small/large) bowl with Smart Divide lowered divider. Sink shall be under-mount with 8-13/16" (224 mm) Self-Trimming integral apron. Sink shall fit a 36" apron sink base cabinet. Sink shall be Kohler Model K-6427-_____.

WHITEHAVEN®

Technical Information

Fixture*	
Bowl area – large	17" (432 mm) x 18-1/16" (459 mm)
Bowl area – small	11" (279 mm) x 18-1/16" (459 mm)
Water depth	9" (229 mm)
Drain holes	Ø 3-5/8" (92 mm)
* Approximate measurements for comparison only.	

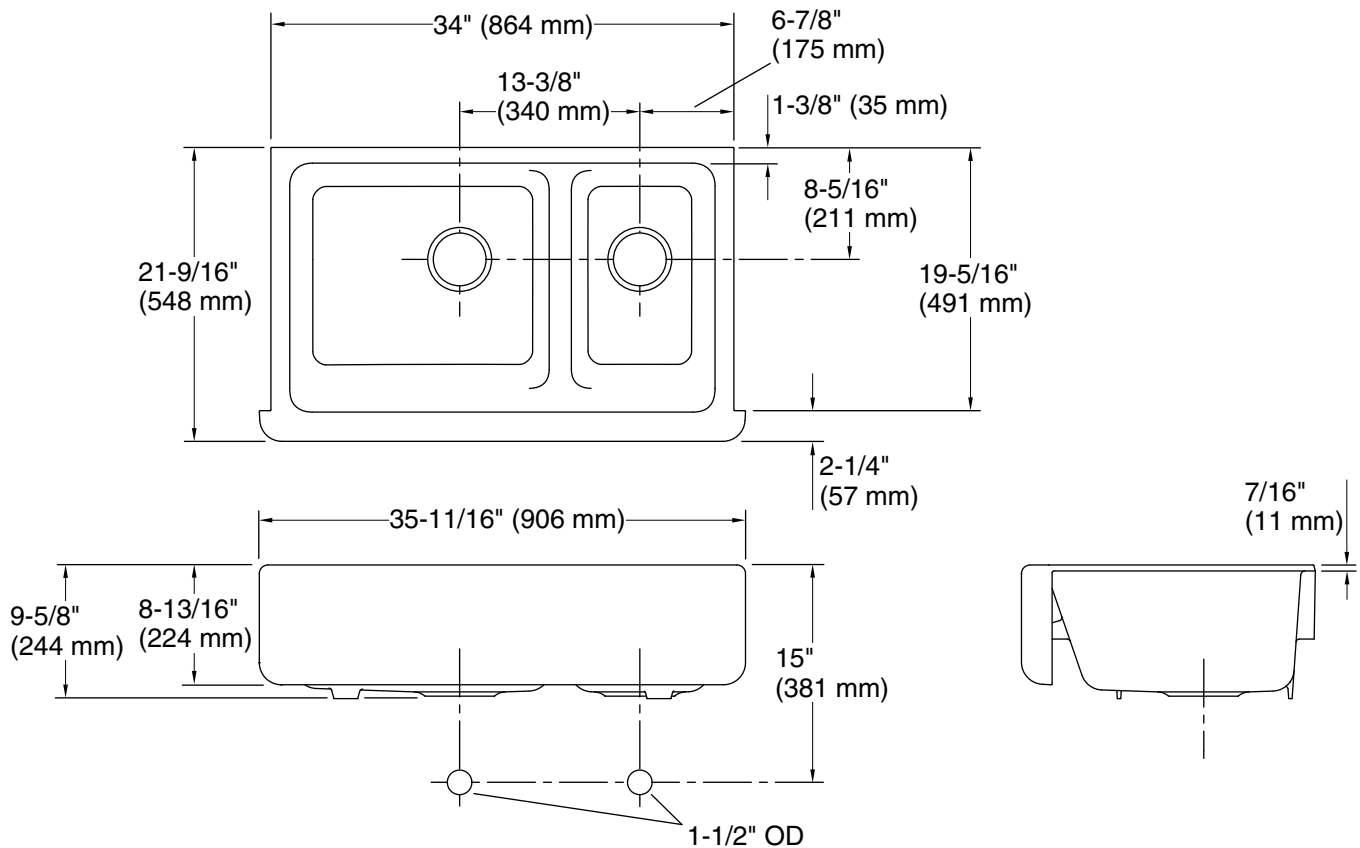
Included components:	
Countertop cut-out template	1156910-7
Cabinet face cut-out template	1157001

Installation Notes

Install this product according to the installation guide.

NOTICE: The countertop manufacturer or cutter **must** use the cut-out template provided with the product, or a current one provided by Kohler Co. (call 1-800-4KOHLEER). Kohler Co. is not responsible for cut-out errors when the incorrect cut-out template is used.

IMPORTANT! The distance from the top edge of the cabinet to the top of the cabinet door must be at least 9" (229 mm) to install this sink.



Product Diagram