

Features

- Low profile design with easy clean water resistant casing
- Large, easy to read LCD display displays time and temperature
- Raised one touch buttons for simple and intuitive system control
- Provides independent control of up to three outlets
- Suitable for multi outlet shower or bath/shower applications
- Second interface can be added to each system for alternate locations and applications
- Adjustable default and high limit temperature settings
- System warm up and pause feature
- Duration/countdown timer feature

Material

- Premium material construction for durability and reliability

Installation

- Surface mount installation

Required Accessories

K-557-K Digital Three Port Thermostatic Valve
K-559 Interface Mounting Bracket

Loose component/s: 20 ft Cable and adapter included.







Codes/Standards

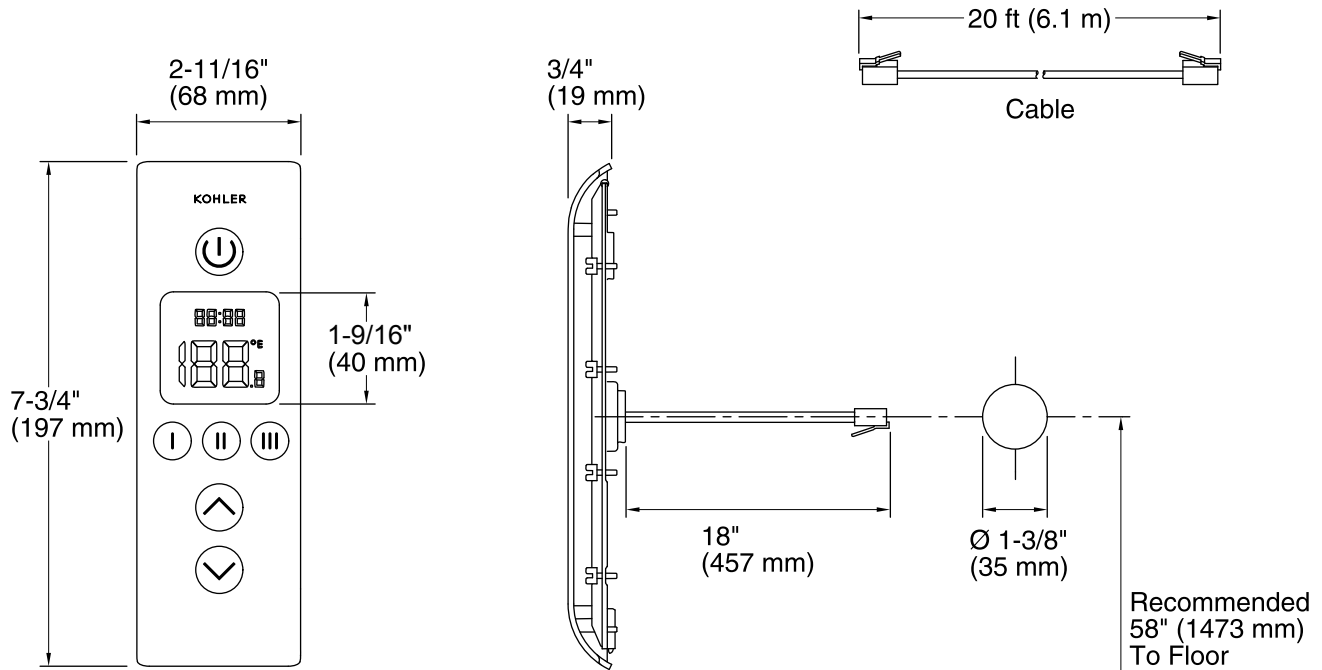
UL 1951
CSA C22.2 No. 14
CSA C22.2 No. 68

See website for detailed warranty information.

Available Color/Finishes

Color tiles intended for reference only.

| Color | Code | Description |
|--|------|-----------------------------------|
|  | 1CP | Satin Chrome with Polished Chrome |
|  | 1SN | Satin Nickel with Polished Nickel |
|  | 0 | White |
|  | 7 | Black Black™ |



Technical Information

All product dimensions are nominal.

Notes

Install this product according to the installation guide.