

# Installation Guide

## Freestanding Vibracoustic Bath with Heated Surface

Retain serial number for reference:  
Conserver le numéro de série pour référence:  
Guarde el número de serie para referencia: \_\_\_\_\_  
Français, page "Français-1"  
Español, página "Español-1"

THE BOLD LOOK  
OF **KOHLER**®

1237790-2-C

# IMPORTANT INSTRUCTIONS



**WARNING:** When using electrical products, basic precautions should always be followed, including the following:



**WARNING: Risk of electric shock.** Connect only to a circuit protected by a Ground-Fault Circuit-Interrupter (GFCI)\*. **Grounding is required.** The unit should be installed and grounded by a qualified service representative.



**WARNING: Risk of electric shock.** A qualified electrician should route all electrical wiring.



**WARNING: Risk of electric shock.** Disconnect power before servicing.



**WARNING: Risk of electric shock.** Do not operate electrical powered auxiliary devices near water.



**WARNING: Risk of property damage.** Building materials and wiring should be routed away from the heat-producing components of the bath.



**WARNING: Risk of injury or property damage.** Please read all instructions thoroughly before beginning installation.

**NOTICE:** Follow all plumbing, electrical, and building codes. In Canada, install this unit in accordance with the Canadian Electrical Code, Part 1.

**NOTICE:** If the supply cord is damaged, it must be replaced by the manufacturer, its service agent, or similarly qualified agent in order to avoid a hazard.

\*Outside North America, this device may be known as a Residual Current Device (RCD).

## Product Information

### Electrical Requirements



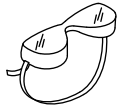
**WARNING: Risk of burns, fire, electric shock, or injury.** Do not operate the heater if the power supply cord is damaged. For proper guidance to have this product repaired, please call: 1-800-4KOHLER from within the USA or Canada, or 001-800-456-4537 from within Mexico.

This installation must have a Class A Ground-Fault Circuit-Interrupter (GFCI)\*. The GFCI protects against line-to-ground shock hazard. **Use a 120 V, 15 A, 60 Hz dedicated service for the bath.**

Two 120 V, 15 A (240 V, 15 A in Latin America) GFCI electrical outlets are required. One outlet should be located within the stud framing and within 24" (610 mm) of the control amplifier. The other outlet must be within 24" (610 mm) of the junction box mounted to the control board at the lumbar end of the bath. Both outlets may share the same electrical service, but no other load should be on this circuit.

\*Outside North America, this device may be known as a Residual Current Device (RCD).

## Tools and Materials



Safety Glasses



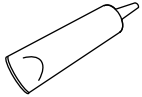
Tape Measure



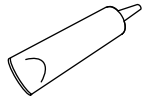
Pencil

### Plus:

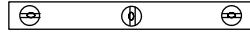
- Drop Cloth
- Shims
- Short Ø 1-1/2" PVC Pipe or Coupling
- 2x4
- Wood Blocks
- Gloves



Silicone Sealant



Silicone Adhesive



Level

## Before You Begin

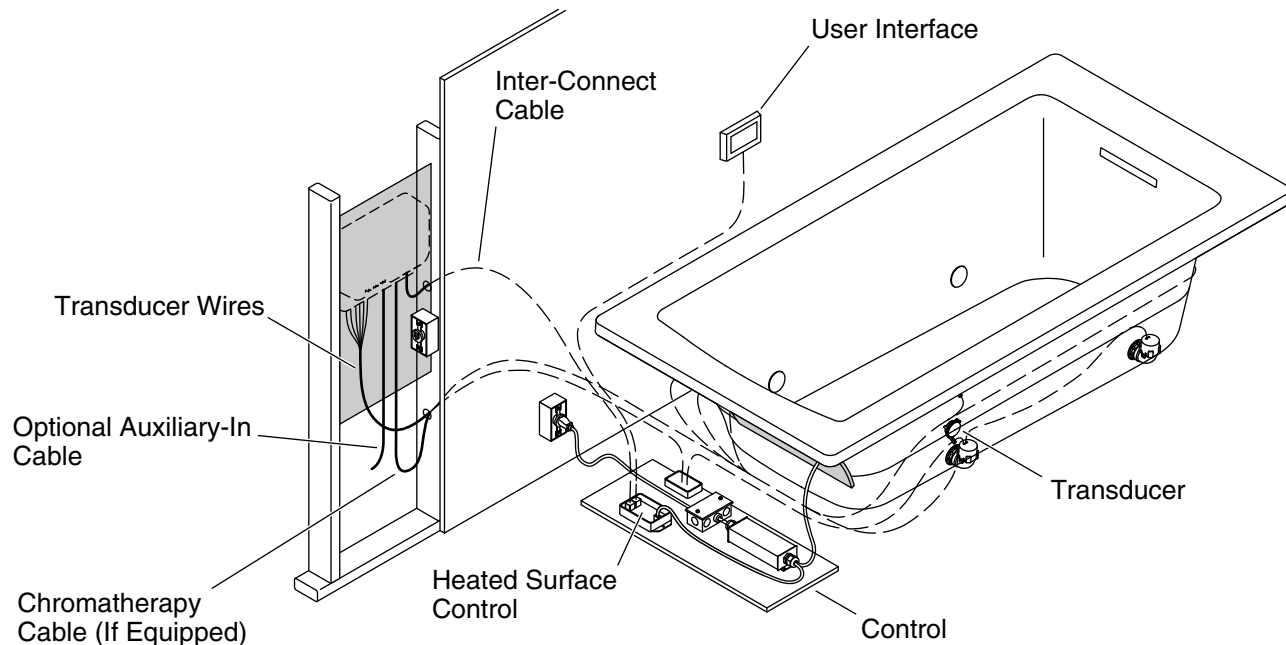
**NOTICE:** Adequate floor support must be provided. Note the **model number** on the back of the bath, then visit the product page at [www.kohler.com](http://www.kohler.com) for additional information.

**NOTICE:** Do not support the load weight of the bath by the rim.

**NOTICE:** Before installing a rim-mount bath faucet, refer to the specification sheet on the product page at [www.kohler.com](http://www.kohler.com).

**NOTICE:** Several of the included bath components will be powered by the control amplifier via 25' (7.6 m) cables. Plan the location of the control amplifier so the cables will reach without tension.

- Observe all local plumbing and building codes.
- Unpack and inspect the bath and components for damage. Return the bath and components to the carton until installation.
- To simplify future maintenance, make sure all plumbing connections, the control amplifier, and control board connections around the bath are easily accessible.
- Use conduit to route electrical wires from the circuit breaker.
- Choose the location for a battery operated auxiliary audio device, if used. Do not locate AC powered devices within reach of the bath.
- Carefully plan moving the bath into the installation area. This bath will not easily fit through doorways.
- Two people are needed to install this product.
- Install the bath to an adequately supported, level finished floor.
- This bath is designed for freestanding installation only.
- If installing a rim-mount faucet, make sure there is no interference with the drain overflow before drilling any holes. Consult local and national codes for minimum air gap requirements if installing a spout on the rim.
- Illustrations shown may not look like your actual product but they still apply for this installation.
- This bath conforms to CSA B45.5/IAPMO Z124. All dimensions are nominal.



## Plan the Installation

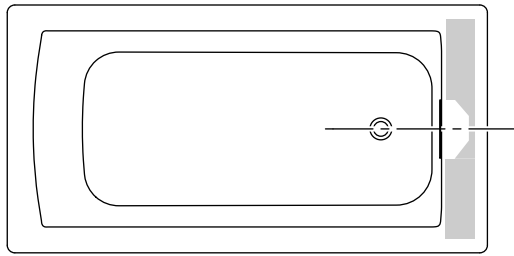
For best results, follow the installation sequence below. Detailed instructions are found on the following pages of this guide.

### Recommended Installation Sequence

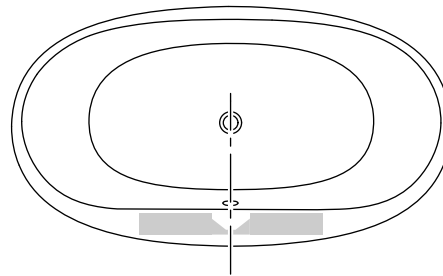
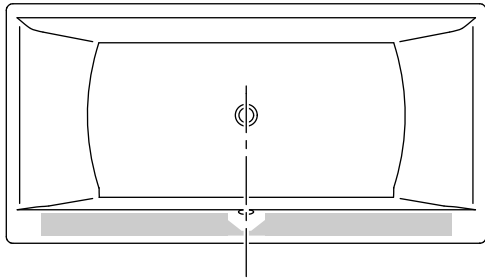
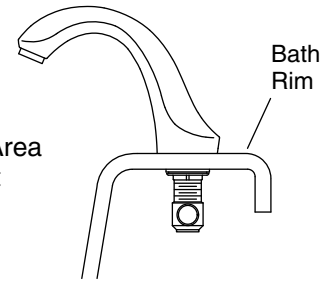
- Determine the locations for the bath components. Refer to the illustration for preferred locations.
- Plan the required access panel location for servicing the control amplifier.
- Route plumbing supply lines.
- Prepare the bath rim, if using a rim-mount faucet.
- Mark and install the drain pipe.
- Install the bath shroud.
- Bind all cables in preparation for the bath installation.
- Install an electrical outlet within 24" (610 mm) of the control amplifier location.
- Install an electrical outlet within 24" (610 mm) of the junction box on the control board.
- Install the bath and drain. Route the bound cables through the bottom of the shroud.
- Route the transducer wires to the control amplifier location.
- If equipped, route the chromatherapy cable to the control amplifier location.
- Route the user interface cable to the user interface location.
- Route the inter-connect cable to the control amplifier.
- Connect the transducer wires, inter-connect cable, optional auxiliary cable, and chromatherapy cable (if equipped) to the control amplifier.
- Install the control amplifier.
- Install the access panel for the control amplifier.
- Connect the user interface cable to the user interface, and install the interface.
- Connect the control amplifier and junction box cables to the electrical outlets.

**Plan the Installation (cont.)**

- Test the functionality of all bath components. Refer to the "Homeowners Guide" for operation.



Recommended Faucet Area  
(See Specification Sheet  
for Dimensions)



## 1. Prepare the Rim-Mount Faucet (Optional)

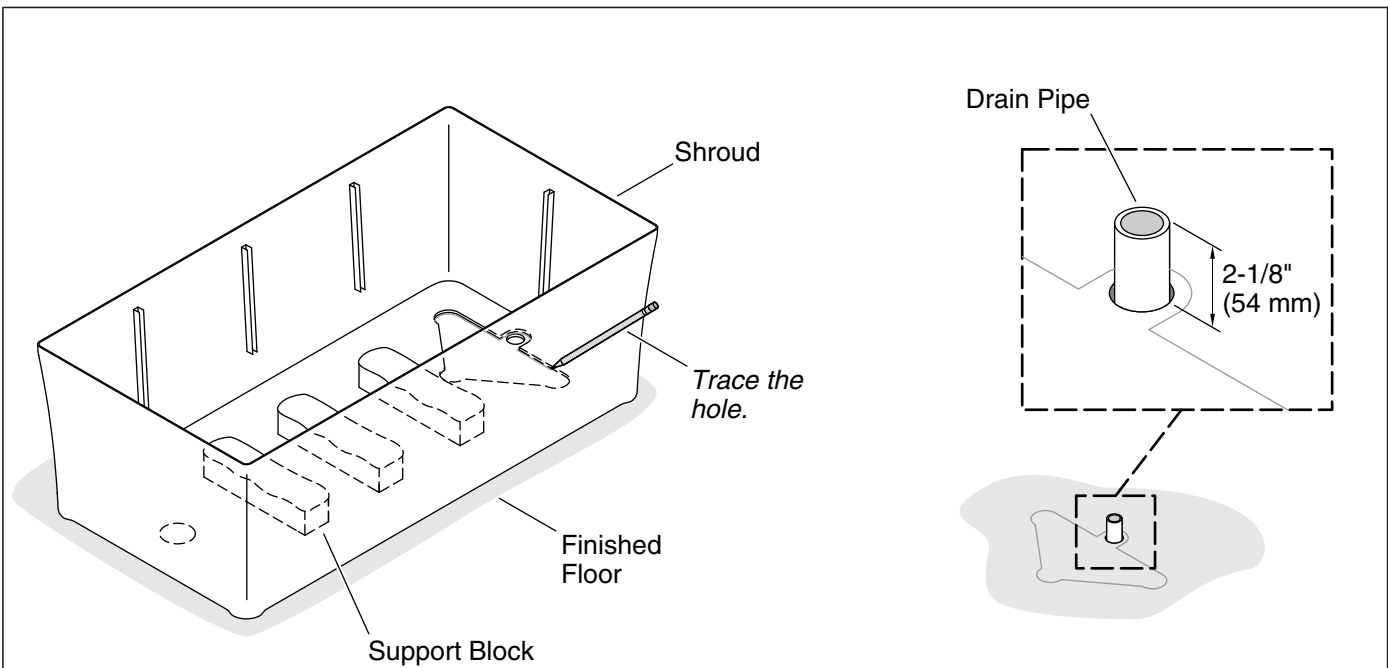
**NOTICE:** Before installing a rim-mount bath faucet, refer to the specification sheet on the product page at [www.kohler.com](http://www.kohler.com) for faucet area dimensions for your model.

**NOTICE:** To accommodate the bath shroud, use flexible connections to attach the water supplies to a rim-mount faucet.

- Position the faucet in the desired location along the bath. Ensure the faucet will not interfere with the drain and overflow.

**NOTE:** Refer to the installation instructions packed with the faucet to determine faucet hole size.

- Use a pencil to mark the faucet centerlines for drilling.
- Carefully drill the faucet holes.



## 2. Prepare the Site

**NOTICE:** Measure your product for site preparation. Note the **model number** on the back side of the bath, then visit the product page at [www.kohler.com](http://www.kohler.com) for additional information.

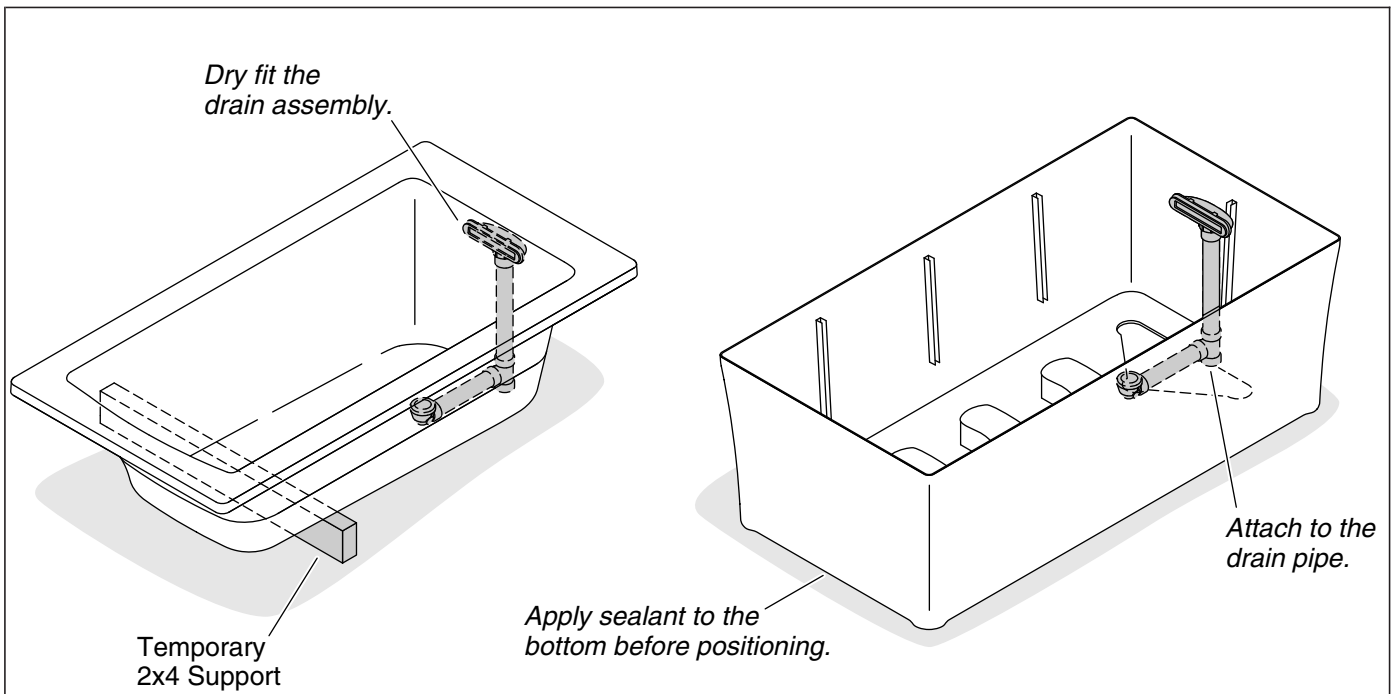
**NOTICE:** Do not attempt to remove the hardened casting material covering the wooden support blocks. The casting material is required to properly position and install the bath.

**IMPORTANT!** To ensure a successful installation, install the bath on a level finished floor.

**IMPORTANT!** Make sure the subfloor offers adequate support for the bath.

- Remove and discard the thin plastic film covering the support blocks.
- Temporarily position the shroud in the installation location.
- Verify the shroud is level. If needed, position shims under the shroud.
- Using a pencil, trace the shroud hole on the floor.
- Remove the shroud and set aside.
- Secure any shims to the floor.
- Position and install a standard PVC or brass bath drain pipe. Install the drain pipe so it extends 2-1/8" (54 mm) above the finished floor.

**NOTE:** The drain pipe may need to be trimmed, depending on the drain installed.

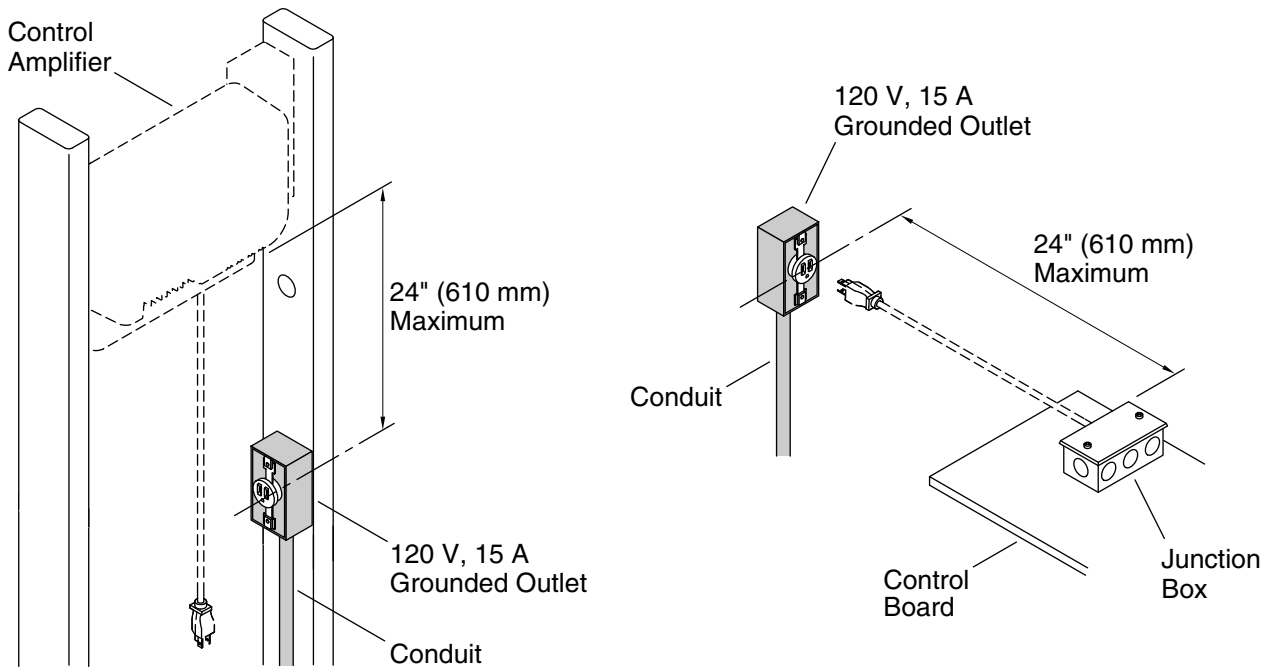


### 3. Prepare the Bath

**NOTICE:** Refer to the drain instructions to dry fit to the bath. **Do not cement and complete the drain installation until instructed to do so.**

- Dry fit the drain and overflow assembly to the bath. Refer to the drain instructions. Do not apply sealant or cement to the drain components at this time.
- Temporarily position a 2x4 in the installation area to support the bottom of the bath opposite the drain.
- With help, position the bath (without the shroud) and drain assembly over the drain pipe. Trim the drain pipe as needed
- Loosen the drain and overflow connections from the bath.
- Remove the bath, leaving the drain and overflow assembly attached to the drain pipe.
- Remove the temporary 2x4 support from the installation area.
- Cement and assemble the drain and overflow components. Connect the drain to the drain pipe.
- Apply slow-drying silicone adhesive to the bottom of the shroud.
- Carefully position the shroud over the drain, aligning the hole with the traced mark on the floor.





#### 4. Install Electrical Outlet – United States and Canada



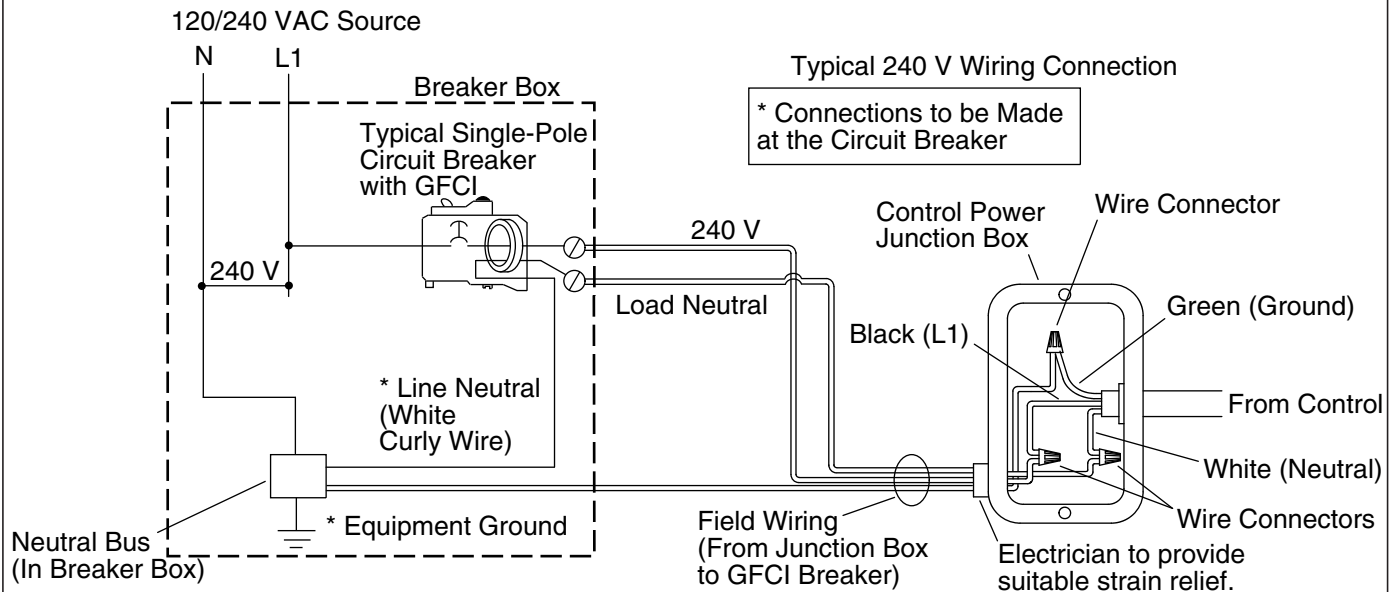
**WARNING: Risk of electric shock.** Disconnect the power before performing the following procedures.

**NOTE:** For installations in Latin America, go to the “Make Electrical Connections – Latin America” section.

**NOTICE:** The control amplifier and junction box are each equipped with a cord and plug. A qualified electrician must install two GFCI- or RCD-protected, 120 V, 15 A grounded outlets. Both outlets may share the same electrical service, but no other load should be on this circuit.

- Install a 120 V, 15 A grounded outlet within the wall framing and within 24” (610 mm) of the planned control amplifier location. Route the wires through conduit for this outlet installation.
- Install a 120 V, 15 A grounded outlet near the control board end of the bath and within 24” (610 mm) of the junction box.

Bond in accordance with national and local codes. Open bonding lugs are located at the top of the junction box.



## 5. Make Electrical Connections – Latin America

**NOTE:** The electrical rating of the product is printed on a label on the lumbar end of the bath. **All vibracoustic baths are designed to operate between 110 V and 240 V at either 50 Hz or 60 Hz.**



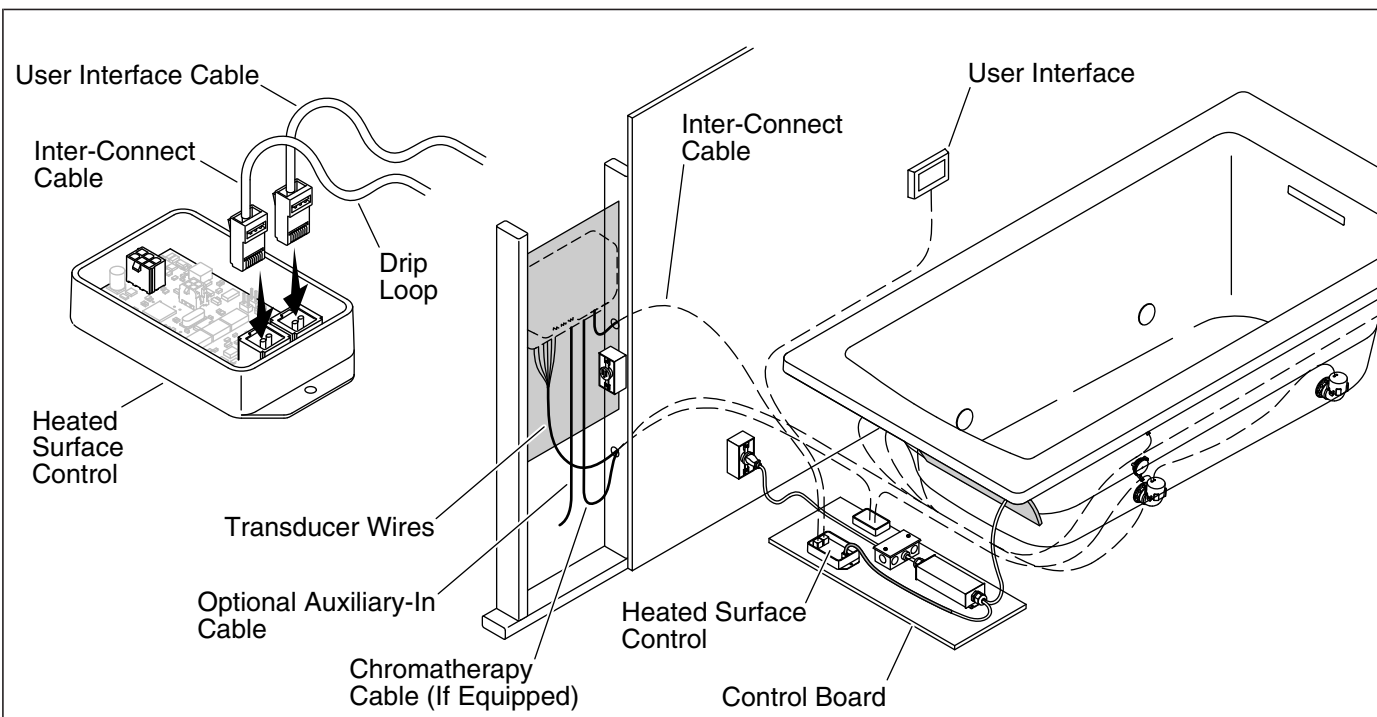
**WARNING: Risk of electric shock.** Disconnect the power before performing the following procedures.



**WARNING: Risk of electric shock.** Connect the bath to a properly grounded Ground-Fault Circuit-Interrupter (GFCI) or Residual Current Device (RCD) for protection against line-to-ground shock hazard.

**IMPORTANT!** The white wire should be connected to the load neutral terminal on the GFCI or RCD breaker. The green wire is the **equipment ground** and must be connected to the neutral bus in the main circuit breaker box.

- Follow local electrical codes. Bond in accordance with national and local codes.
- Remove the 120 V plug from the end of the electrical cord.
- Remove the 120 V plug from the electrical cord on the junction box mounted to the control board.
- Connect service to the amplifier with a 240 V plug (not included) or hardwire connection.
- Connect service to the junction box with a 240 V plug (not included) or hardwire connection.

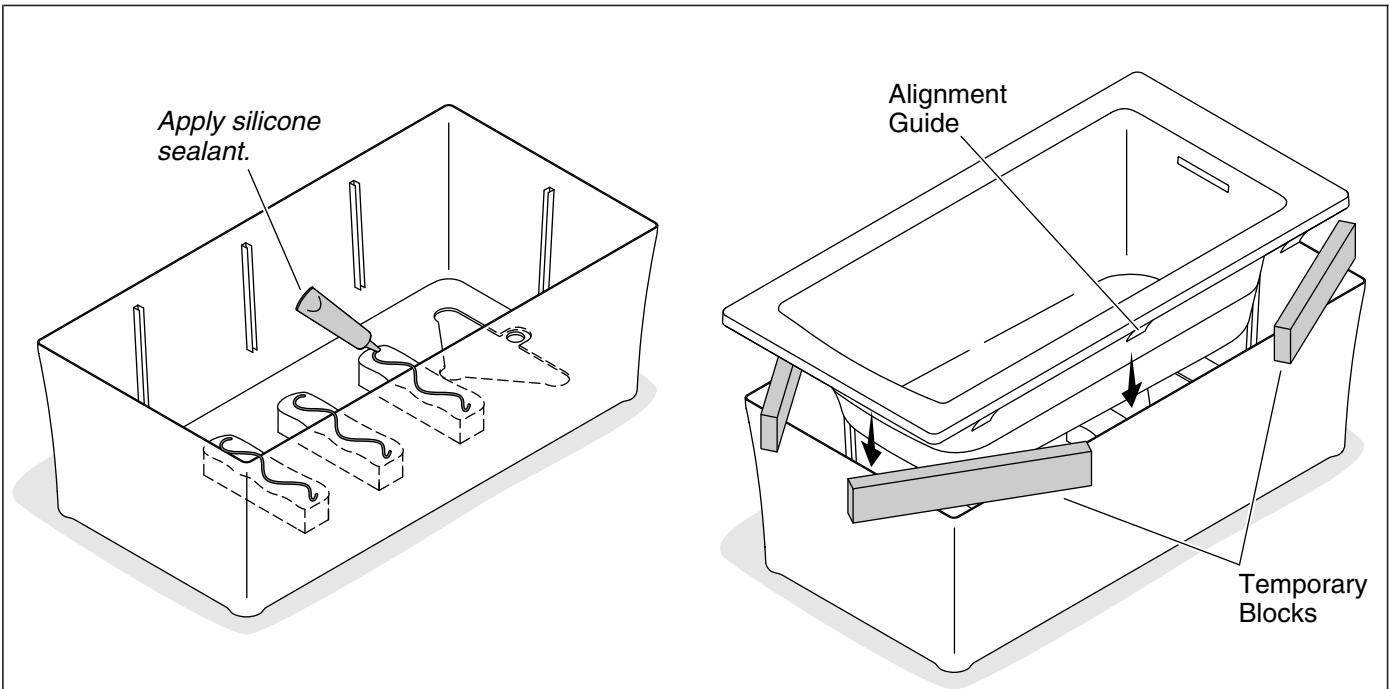


## 6. Prepare the Cables

**IMPORTANT!** The cables that will connect the control amplifier to the bath transducers, chromatherapy control (if equipped), and the user interface are each 25' (7.6 m) in length. Plan the location of the control amplifier so these cables, when routed and connected, will easily reach without placing tension on the cables.

**NOTE:** The heated surface control is mounted to the board at the end of the bath.

- Connect the larger Ethernet end of the user interface cable to one of the two ports on the heated surface control.
- Connect the inter-connect cable (both ends are Ethernet) for the amplifier to the open port on the heated surface control.
- Carefully cut the cable tie securing the coiled transducer wires to the back of the bath.
- Bind all electrical cables together to allow for easier routing through the shroud.

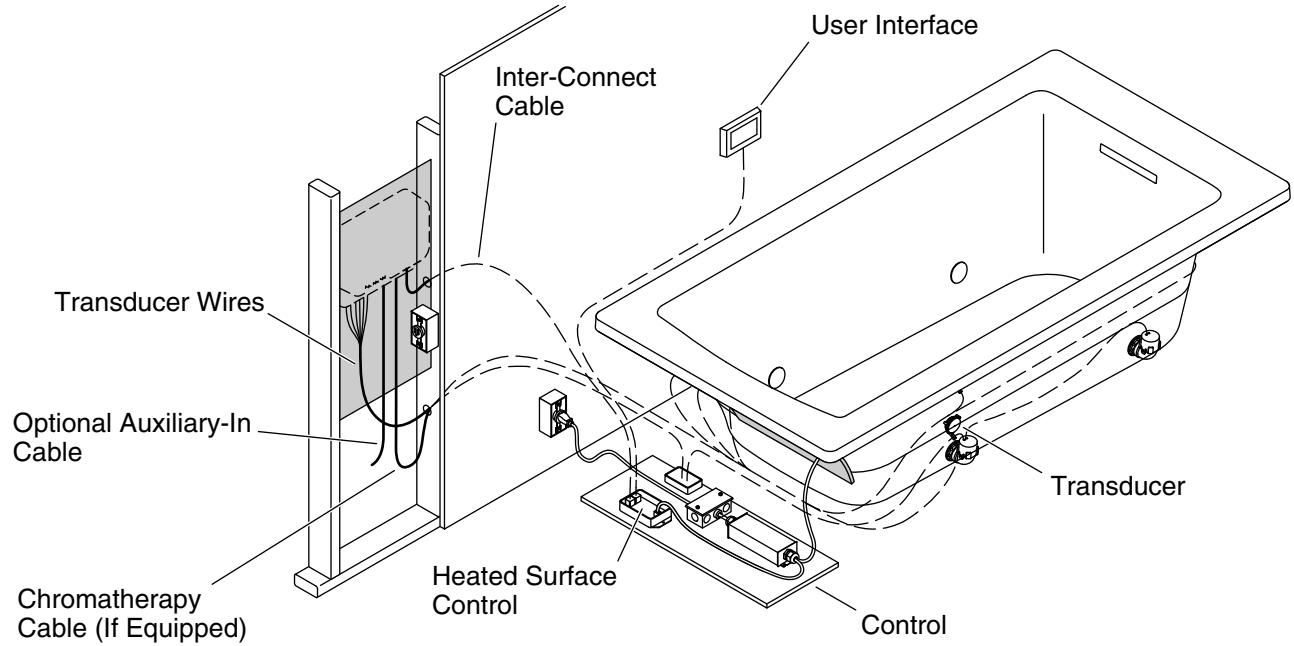


## 7. Install the Bath

- Apply a generous amount of silicone sealant to the support blocks on the base of the shroud.
- Apply sealant to both sides of the gaskets on the drain and overflow assembly.

**NOTE:** To provide access for securing the faucet connections, temporarily position block spacers at the corners between the shroud and the bath rim. Position the blocks to avoid damaging the alignment guides located under the bath rim.

- With help, carefully lift the bath into place over the shroud and onto the block spacers.
- Secure all faucet connections and fittings.
- Route the bound cables through the hole in the bottom of the shroud.
- Carefully remove the blocks and make sure the cables do not get pinched under the bath rim. Ensure the bath rim engages the top of the shroud on all sides.
- Install the drain flange and overflow cover according to the drain instructions.
- Close the bath drain. Fill the bath to the overflow, and check for leaks.
- If desired, apply a thin, continuous bead of clear or color-matched silicone sealant to the seam between the bath and the finished floor.

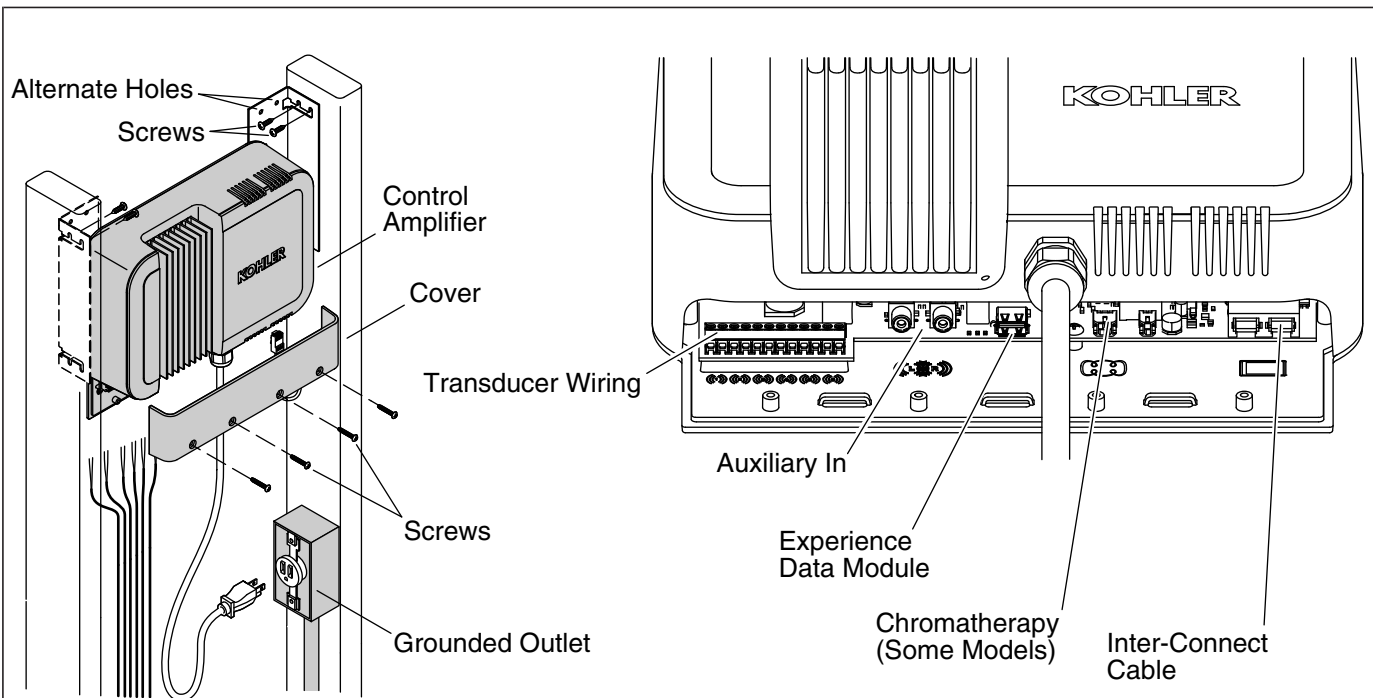


## 8. Connect the Cables

- Route the bound transducer cables to the control amplifier location. Drill 1" (52 mm) holes where needed.
- If equipped, route the chromatherapy cable to the planned amplifier location. Follow the same route as the transducer cables.
- Route the inter-connect cable to the control amplifier location. Include a drip loop.
- Route the user interface cable to the planned user interface location. Include a drip loop.

**NOTE:** An auxiliary cable connection can be used to pair a BLUETOOTH® device or other battery-operated audio device so users can play their own music with the vibracoustic bath.

- If used, route an auxiliary-in cable (not included) to the control amplifier location.



## 9. Install the Control Amplifier



**WARNING: Risk of electric shock.** Connect the control amplifier to a properly grounded, grounding-type receptacle protected by a Ground-Fault Circuit-Interrupter (GFCI) or Residual Current Device (RCD). Do not remove the grounding pin from the plug or use a grounding adapter.

**IMPORTANT!** Keep insulating materials away from the control amplifier. Provide an unobstructed air space around the control amplifier to permit cooling.

**NOTE:** Do not remove the mounting brackets from the control amplifier.

- Position the amplifier flush or recessed from the front of the studs.
- Using the wood screws provided, secure the control amplifier to the framing. Use the anchors provided if securing to a wall material other than wood.

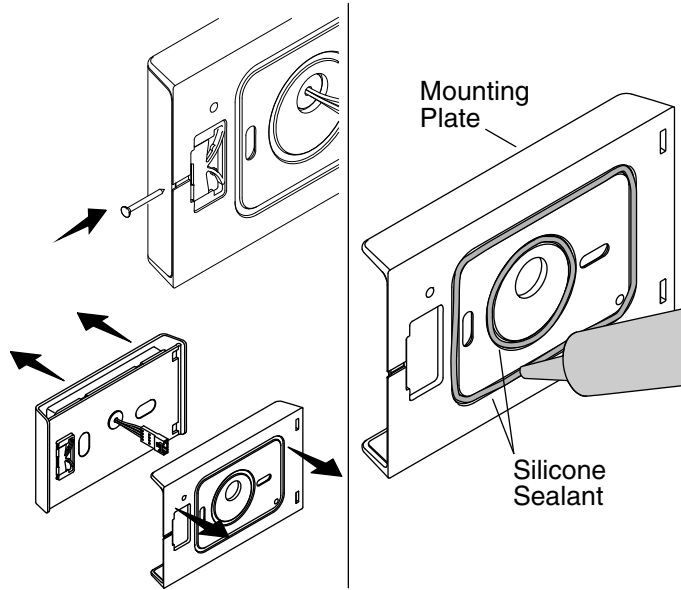
**NOTE:** To make wiring connections more accessible, temporarily secure the control amplifier with one screw on each side to allow the amplifier to tilt forward. Once wiring connections are made, secure the control amplifier with the remaining screws.

- Remove the cover from the control amplifier by removing the four screws. Retain for reinstallation.

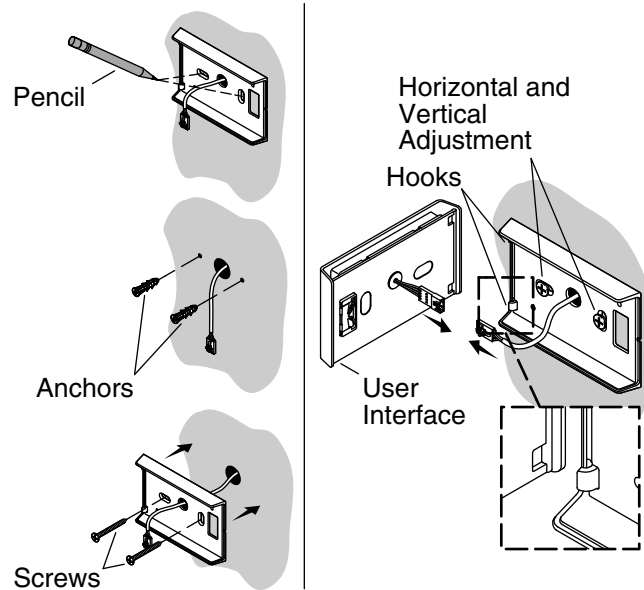
**NOTE:** The transducer terminals and wires are numbered to identify the correct connections. When required, the control amplifier can be removed to aid in the wire connection process.

- **Securely** attach the transducer wires to the transducer terminals. The white with black wires are the positive (+) leads.
- If equipped, connect the chromatherapy connector to the chromatherapy terminal.
- Connect the inter-connect cable from the control box to the amplifier.
- If used, connect the optional auxiliary-in RCA connectors to the auxiliary-in terminals.
- Reinstall the cover to the control amplifier with the four screws.
- Plug the control amplifier into the electrical outlet.
- Plug the junction box cord into the electrical outlet.

### Back View



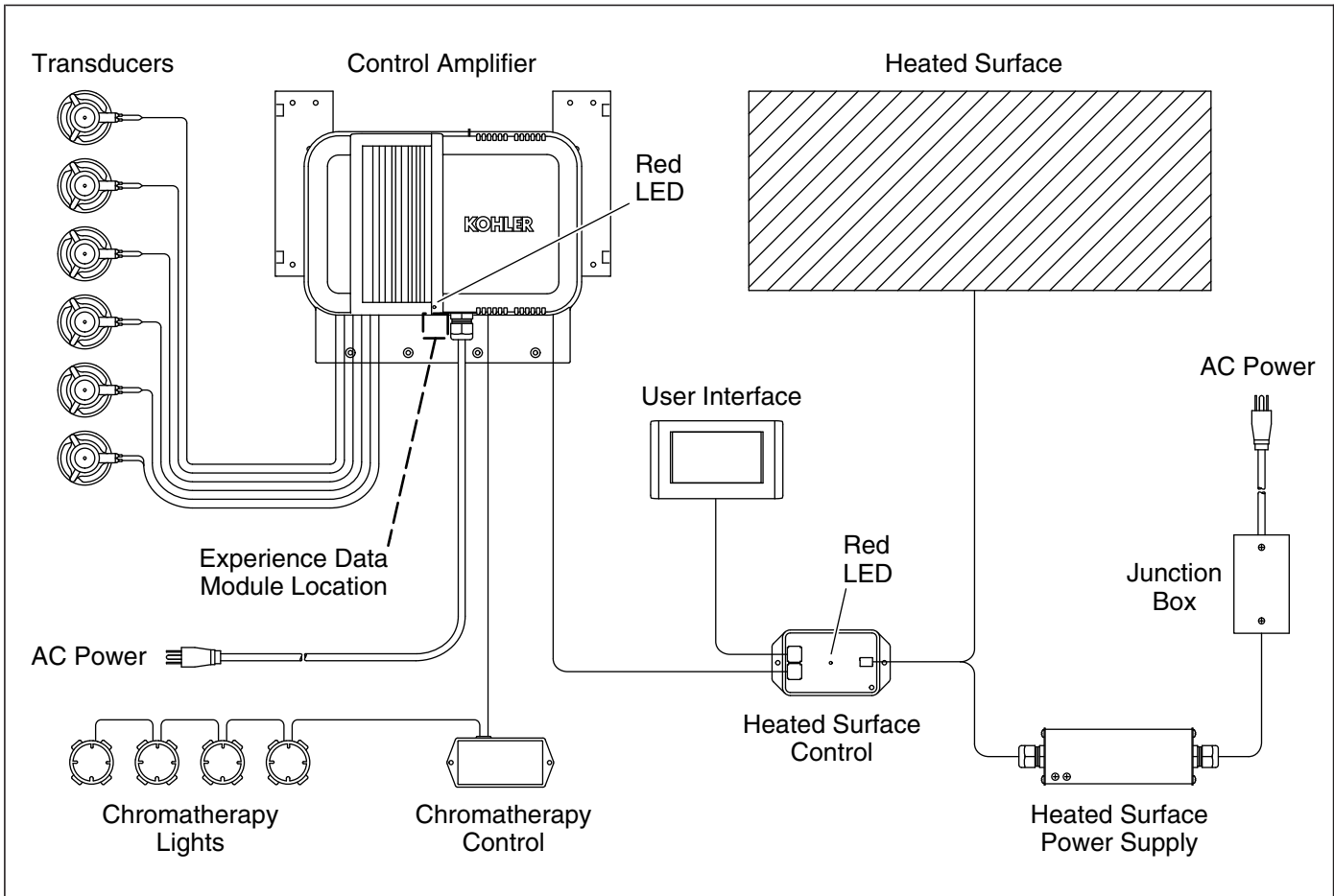
### Front View



## 10. Install the Interface

**IMPORTANT!** Do not allow the cable routed through the wall hole to fall into the wall.

- Push a thin nail into the groove in the back side of the user interface to separate the interface from the mounting plate.
- Position the mounting plate over the cable and against the finished wall so the hooks are to the left.
- Level the mounting plate and mark the screw hole locations on the wall.
- Remove the mounting plate and drill 1/4" holes at the marked locations.
- Insert the provided wall anchors into the holes.
- Apply a bead of silicone sealant to the two grooves on the back of the mounting plate.
- Position the mounting plate over the cable with the hooks to the left, and secure to the wall using the two screws provided.
- Check for level. If needed, loosen the screws and adjust the mounting plate.
- Connect the cable to the user interface.
- Engage the edge of the user interface with the two mounting plate hooks, then firmly swing the user interface against the mounting plate until they snap together.
- Refer to the User Guide included with the interface to set up, program, and verify proper function of the product.



## 11. Components

### Troubleshooting

**NOTICE:** This section is for general aid only. A Kohler Co. Authorized Service Representative or qualified electrician should correct any electrical problems. For warranty service, call 1-800-4KOHLEER from within the USA and Canada, or 001-800-456-4537 from within Mexico.

**NOTE:** The product model number is printed on a label on the blower side of the bath.

**NOTE:** For service parts information, visit your product page at [www.kohler.com/serviceparts](http://www.kohler.com/serviceparts).

#### Troubleshooting Table

Symptom	Probable Cause	Recommended Action
1. No sound; no experiences are functioning.	A. Power to the control amplifier is off.	A. Reset the circuit breaker to the control amplifier, then check the electrical power supply and connections.
	B. Control amplifier must be reset.	B. If the red LED on the control amplifier is not blinking, unplug the control amplifier for 30 seconds, then plug in and restart.
	C. Experiences data module connection is loose or damaged.	C. Inspect the data module for loose connection or damage. Secure the connection or replace the module as needed.
	D. An experience has not been selected on the user interface.	D. Select an experience.
	E. Vibracoustic intensity is muted on the user interface.	E. Touch the [Mute] icon on the user interface to turn off the mute setting.



## Troubleshooting (cont.)

### Troubleshooting Table

Symptom	Probable Cause	Recommended Action
	F. User interface cable connections are loose or damaged.	F. Inspect the cables between the user interface, heated surface control, and control amplifier. Secure connections or replace cables as needed.
	G. Control amplifier or heated surface control does not work.	G. If the red LED on the control amplifier does not blink following restart, check the control amplifier and/or heated surface control and replace as needed.
	H. User interface does not work.	H. Check the user interface. Replace as needed.
2. Music is distorted (undesirable resonance) when vibracoustic functions are on.	A. Intensity setting is too high on the user interface.	A. Turn down the intensity setting on the user interface.
	B. Transducers on the back surface of the bath are in direct contact with framing, joists, or other materials.	B. Remove or reposition any materials that are making direct contact with the transducers.
	C. One or more transducers on the back surface of the bath are loose.	C. Rotate the loose transducer(s) clockwise with your fingers until tight. <b>Do not overtighten.</b>
	D. The bath is making direct contact with framing, joists, or other materials.	D. Identify the point of contact and correct it. The bath must not make contact with any framing or support materials.
3. User interface does not light up.	A. Power to the control amplifier is not on.	A. Reset the circuit breaker to the control amplifier, then check the electrical power supply and connections.
	B. Control amplifier must be reset.	B. If the red LED on the control amplifier is not blinking, unplug the control amplifier for 30 seconds, then plug in and restart.
	C. User interface cable connections are loose or damaged.	C. Inspect the cables between the user interface, heated surface control, and control amplifier. Secure connections or replace cables as needed.
	D. Control amplifier or heated surface control does not work.	D. If the red LED on the control amplifier does not blink following restart, check the control amplifier and/or heated surface control and replace as needed.
	E. User interface does not work.	E. Check the user interface. Replace as needed.
4. User interface lights up but does not work.	A. Control amplifier must be reset.	A. If the red LED on the control amplifier is not blinking, unplug the control amplifier for 30 seconds, then plug in and restart.
	B. User interface cable connections are loose or damaged.	B. Inspect the cables between the user interface, heated surface control, and control amplifier. Secure connections or replace cables as needed.

## Troubleshooting (cont.)

### Troubleshooting Table

Symptom	Probable Cause	Recommended Action
	C. Control amplifier or heated surface control does not work.	C. If the red LED on the control amplifier does not blink following restart, check the control amplifier and/or heated surface control and replace as needed.
	D. User interface does not work.	D. Check the user interface. Replace as needed.
5. Auxiliary music does not work.	A. Power to the control amplifier is not on.	A. Reset the circuit breaker to the control amplifier, then check the electrical power supply and connections.
	B. Control amplifier must be reset.	B. If the red LED on the control amplifier is not blinking, unplug the control amplifier for 30 seconds, then plug in and restart.
	C. Auxiliary-in or user interface cable connections are loose or damaged.	C. Inspect the cables between the user interface, heated surface control, and control amplifier. Secure connections or replace cables as needed.
	D. Auxiliary music source option is not selected on the user interface.	D. Select the auxiliary music option on the user interface.
	E. Vibracoustic sound is muted on the user interface.	E. Touch the [Mute] icon on the user interface to turn off the mute setting.
	F. Vibracoustic intensity is turned down on the user interface.	F. Turn up the vibracoustic intensity on the user interface.
	G. Control amplifier or heated surface control does not work.	G. If the red LED on the control amplifier does not blink following restart, check the control amplifier and/or heated surface control and replace as needed.
	H. User interface does not work.	H. Check the user interface. Replace as needed.

### (Optional) Chromotherapy Troubleshooting Table

Symptom	Probable Cause	Recommended Action
1. Chromotherapy lights do not work.	A. Power to the control amplifier is off.	A. Reset the circuit breaker to the control amplifier, then check the electrical power supply and connections.
	B. Control amplifier must be reset.	B. If the red LED on the control amplifier is not blinking, unplug the control amplifier for 30 seconds, then plug in and restart.
	C. Chromotherapy feature has not been selected on the user interface.	C. Select the Chromotherapy feature on the user interface.
	D. Chromotherapy or user interface cable connections are loose or damaged.	D. Inspect the cables for loose connections or damage. Secure or replace cables as needed.
	E. Control amplifier does not work.	E. If the red LED on the control amplifier does not blink following restart, check the control amplifier and replace as needed.

## Troubleshooting (cont.)

### (Optional) Chromatherapy Troubleshooting Table

Symptom	Probable Cause	Recommended Action
	F. User interface does not work.	F. Verify that the user interface cable is securely connected to the user interface and the control amplifier terminal. If the connections are good, replace the user interface.
	G. Chromatherapy control does not work.	G. Replace the Chromatherapy control.
2. Chromatherapy lights do not cycle through all colors.	A. Control amplifier must be reset.	A. If the red LED on the control amplifier is not blinking, unplug the control amplifier for 30 seconds, then plug in and restart.
	B. Chromatherapy or user interface cable connections are loose or damaged.	B. Inspect the cables for loose connections or damage. Secure or replace cables as needed.
	C. Control amplifier does not work.	C. If the red LED on the control amplifier does not blink following restart, check the control amplifier and replace as needed.
	D. User interface does not work.	D. Cycle through the Chromatherapy light functions. If the lights do not cycle through all colors and the blue icon on the user interface is not lit, replace the user interface.
	E. If none of the recommended actions correct the problem, contact Kohler Co.	E. Contact the Customer Care Center using the contact information on the back cover.

### Heated Surface Troubleshooting Table

Symptoms	Probable Cause	Recommended Action
1. Heated surface does not turn on.	A. No power to the power supply.	A. Set/reset GFCI or RCD breaker; check wiring and power supply connections.
	B. Heated surface control must be reset.	B. If the red LED on the heated surface control is not blinking, unplug the control for 30 seconds, then plug in and restart.
	C. User interface cable connections are loose or damaged.	C. Inspect the cables between the user interface, heated surface control, and control amplifier. Secure connections or replace cables as needed.
	D. Heated surface control does not work.	D. Check the heated surface control. Replace as needed.
	E. Power supply does not work.	E. Check the power supply. Replace as needed.
	F. User interface does not work.	F. Check the user interface. Replace as needed.
2. Bath is on, but there is little or no heat.	A. Heater cable loose or damaged.	A. Inspect the cables between the user interface, heated surface control, and control amplifier. Secure connections or replace cables as needed.
	B. Heater/insulation loose on the bath.	B. Secure the heater/insulation to the bath.
	C. Heat indicator is set to low heat.	C. Press the plus [+] icon to increase temperature.

**Troubleshooting (cont.)**

**Heated Surface Troubleshooting Table**

<b>Symptoms</b>	<b>Probable Cause</b>	<b>Recommended Action</b>
	D. Heater does not work.	D. Replace the heater.
	E. Temperature sensor does not work.	E. Replace the heater.

# Guide d'installation

## Baignoire vibracoustique autoportante avec surface chauffée

### INSTRUCTIONS IMPORTANTES



**AVERTISSEMENT:** Lors de l'utilisation de produits électriques, toujours observer les précautions de base, notamment:



**AVERTISSEMENT: Risque de choc électrique.** Raccorder uniquement à un circuit protégé par un disjoncteur de fuite de terre (GFCI)\*. **Une mise à la terre est requise.** L'appareil doit être installé et mis à la terre par un représentant technique qualifié.



**AVERTISSEMENT: Risque de choc électrique.** Tout le câblage électrique doit être réalisé par un électricien qualifié.



**AVERTISSEMENT: Risque de choc électrique.** Déconnecter l'alimentation électrique avant d'effectuer un entretien.



**AVERTISSEMENT: Risque de choc électrique.** Ne pas faire fonctionner les appareils auxiliaires sous tension électrique à proximité de l'eau.



**AVERTISSEMENT: Risque de dommages matériels.** Les matériaux de construction et le câblage doivent être acheminés loin des composants qui dégagent de la chaleur et qui font partie de la baignoire.



**AVERTISSEMENT: Risque de blessures ou d'endommagement du matériel.** Lire toutes les instructions avec attention avant de commencer l'installation.

**AVIS: Respecter tous les codes de plomberie, d'électricité et de construction.** Installer cet appareil conformément au Code canadien de l'électricité, Partie 1.

**AVIS:** Si le cordon d'alimentation est endommagé, il doit être remplacé par le fabricant, son représentant technique ou un personnel ayant les mêmes qualifications, afin d'éviter tout danger.

\*Hors de l'Amérique du Nord, ce dispositif peut être connu sous le nom de dispositif à courant résiduel (RCD).

### Information sur le produit

#### Installations électriques requises



**AVERTISSEMENT: Risque de brûlures, d'incendie, d'électrocution ou de blessures.** Ne pas faire fonctionner le chauffage si le cordon d'alimentation est endommagé. Pour obtenir une assistance adéquate pour la réparation de ce produit, appeler: 1-800-4KOHLER à partir des É.-U. ou du Canada, ou le 001-800-456-4537 à partir du Mexique.

Cette installation doit avoir un disjoncteur de fuite de terre (GFCI) de classe A\*. Le disjoncteur GFCI protège contre les risques d'électrocution fil sous tension-terre. **Utiliser une alimentation de 120 V, 15 A, 60 Hz dédiée à la baignoire.**

Deux prises électriques GFCI de 120 V, 15 A (240 V, 15 A en Amérique latine) sont requises. Une prise doit se trouver dans l'ossature et dans un rayon de 24" (610 mm) de l'amplificateur de commande. L'autre prise doit se trouver dans un rayon de 24" (610 mm) de la boîte de connexion montée sur le tableau de commande à l'extrémité lombaire de la baignoire. Les deux prises peuvent partager le même service électrique, mais aucune autre charge ne doit se trouver sur ce circuit.

## Information sur le produit (cont.)

\*Hors de l'Amérique du Nord, ce dispositif peut être connu sous le nom de dispositif à courant résiduel (RCD).

## Outils et matériaux



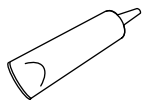
Lunettes de protection



Mètre ruban



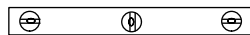
Crayon



Mastic à la silicone



Adhésif à la silicone



Niveau à bulle

Plus:

- Toile de protection
- Cales
- Tuyau ou raccord PVC de Ø 1-1/2"
- Lambourde de 2x4
- Blocs en bois
- Gants

## Avant de commencer

**AVIS:** Un support de plancher adéquat doit être fourni. Noter le **numéro de modèle** se trouvant sur l'arrière de la baignoire, puis visiter la page du produit sur le site [www.kohler.com](http://www.kohler.com) pour obtenir de l'information supplémentaire.

**AVIS:** Ne pas supporter le poids de charge de la baignoire par le rebord.

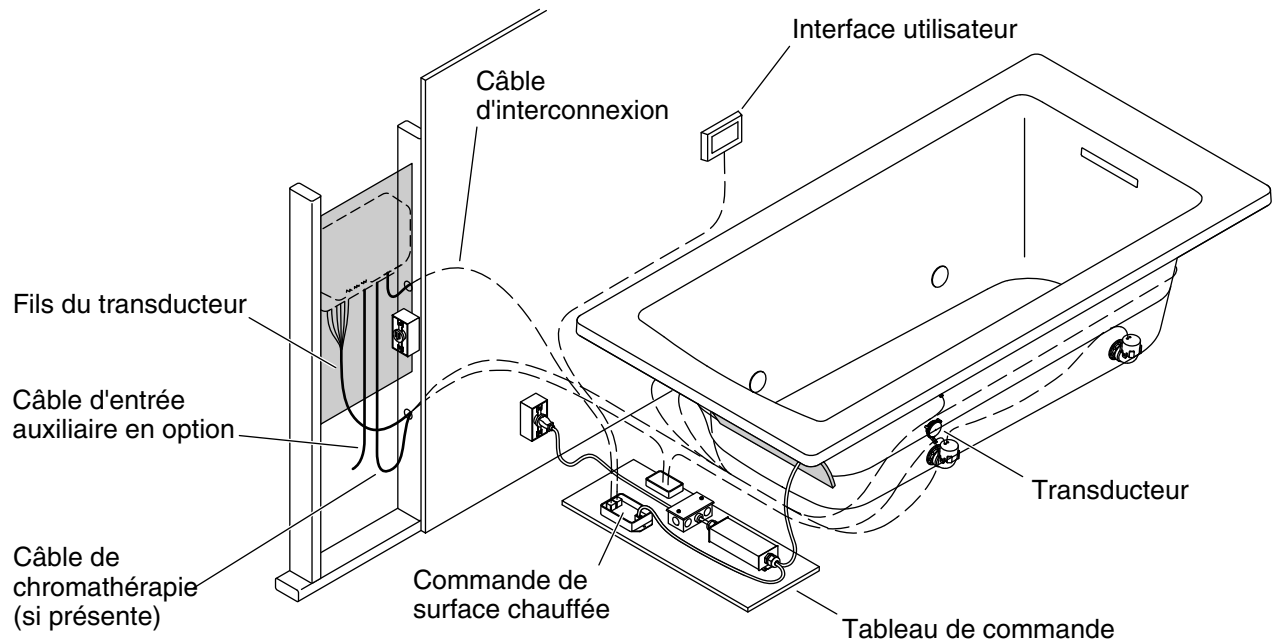
**AVIS:** Avant d'installer un robinet de baignoire à montage sur rebord, se reporter à la fiche de spécifications de la page du produit sur le site [www.kohler.com](http://www.kohler.com).

**AVIS:** Plusieurs des composants de baignoire inclus sont alimentés par l'amplificateur de commande par l'intermédiaire des câbles de 25' (7,6 m). Planifier l'emplacement de l'amplificateur de commande de manière à ce que les câbles puissent être branchés sans aucune tension.

- Respecter tous les codes de plomberie et de bâtiment locaux.
- Déballez et inspectez la baignoire et les composants pour détecter tout dommage. Remettre la baignoire et les composants dans l'emballage jusqu'à l'installation.
- Pour simplifier la maintenance future, s'assurer qu'il est possible d'accéder sans difficulté à toutes les connexions de plomberie et aux connexions de l'amplificateur de commande et du tableau de commande autour de la baignoire.
- Utiliser le conduit pour acheminer les fils électriques en provenance du disjoncteur.
- Choisir l'emplacement d'un appareil audio auxiliaire à piles, le cas échéant. Ne pas placer les appareils alimentés en courant alternatif à portée de main de la baignoire.
- Planifier avec attention le déplacement de la baignoire dans l'emplacement d'installation. Cette baignoire ne passe pas facilement par les entrées de portes.
- Deux personnes sont nécessaires pour installer ce produit.
- Installer la baignoire sur un sol fini de niveau ayant le support nécessaire.
- Cette baignoire est conçue pour une installation autoportante uniquement.

### **Avant de commencer (cont.)**

- Lorsqu'on installe un robinet sur rebord, s'assurer qu'il n'y ait pas d'interférence avec le trop-plein du drain avant de percer des trous. Consulter les codes nationaux et locaux pour les exigences d'espace d'air minimum lors de l'installation d'un bec sur le rebord.
- Les illustrations peuvent ne pas ressembler au produit réel, mais elles s'appliquent néanmoins pour cette installation.
- Cette baignoire est conforme à la norme CSA B45.5/IAPMO Z124. Toutes les dimensions sont nominales.



## Planifier l'installation

Pour obtenir les meilleurs résultats possibles, suivre la séquence d'installation ci-dessous. Des instructions détaillées sont fournies sur les pages suivantes de ce guide.

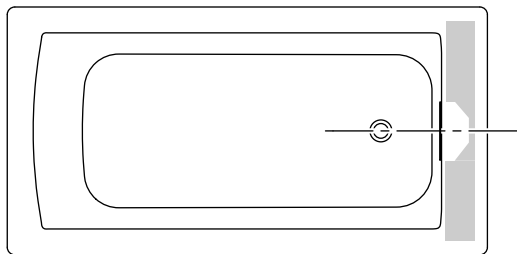
### Séquence d'installation recommandée

- Déterminer les emplacements pour les composants de la baignoire. Se référer à l'illustration pour les emplacements préférés.
- Planifier les emplacements requis pour le panneau d'accès, afin de pouvoir procéder à l'entretien de l'amplificateur de commande.
- Acheminer les conduites d'alimentation de plomberie.
- Préparer le rebord de la baignoire si un robinet à montage sur rebord est utilisé.
- Marquer et installer le tuyau d'évacuation.
- Installer l'enveloppe de la baignoire.
- Lier tous les câbles pour préparer l'installation de la baignoire.
- Installer une prise électrique comprise dans un rayon de 24" (610 mm) de l'emplacement de l'amplificateur de commande.
- Installer une prise électrique comprise dans un rayon de 24" (610 mm) de la boîte de jonction sur le tableau de commande.
- Installer la baignoire et le drain. Acheminer les câbles liés à travers le fond de l'enveloppe.
- Acheminer les fils du transducteur vers l'emplacement de l'amplificateur de commande.
- Si la chromathérapie est présente, acheminer son câble vers l'emplacement de l'amplificateur de commande.
- Acheminer le câble d'interface utilisateur vers l'emplacement de l'interface utilisateur.
- Acheminer le câble d'interconnexion vers l'amplificateur de commande.
- Connecter les fils du transducteur, le câble d'interconnexion, le câble auxiliaire optionnel et le câble de chromathérapie (le cas échéant) sur l'amplificateur de commande.

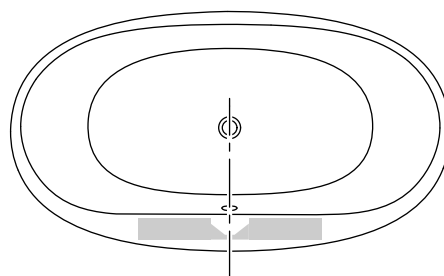
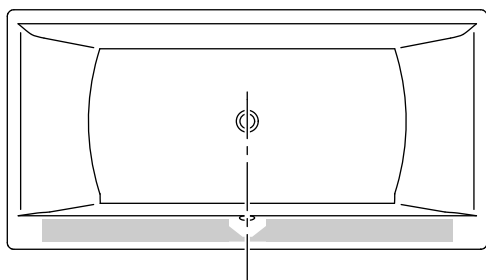
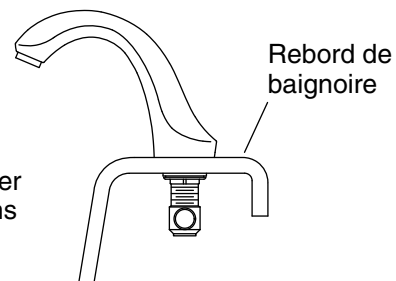


### **Planifier l'installation (cont.)**

- Installer l'amplificateur de commande.
- Installer le panneau d'accès sur l'amplificateur de commande.
- Brancher le câble d'interface utilisateur sur l'interface utilisateur et installer l'interface.
- Connecter les câbles de l'amplificateur de commande et du boîtier de jonction sur les prises électriques.
- Tester la fonctionnalité des composants de la baignoire. Se référer au "Guide du propriétaire" pour le fonctionnement.



■ Zone de robinet recommandée (se reporter à la fiche de spécifications pour les dimensions)



## 1. Préparer le robinet monté sur rebord (optionnel)

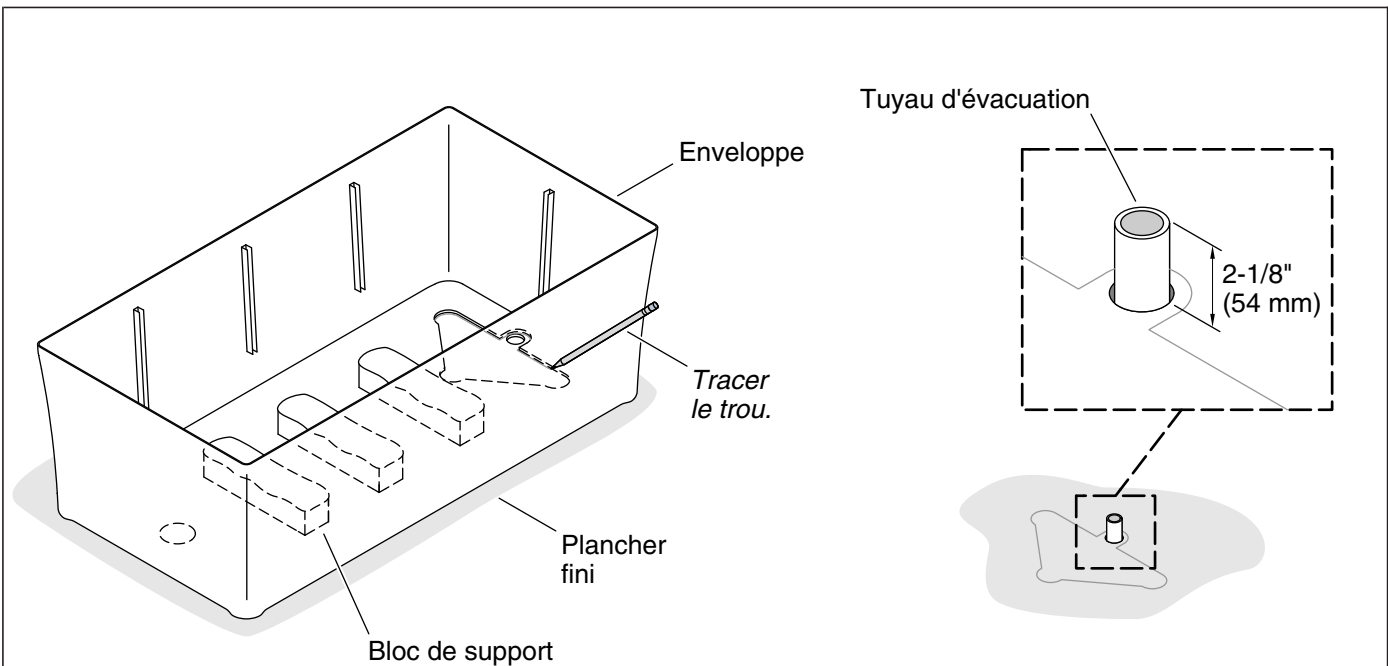
**AVIS:** Avant d'installer un robinet de baignoire à montage sur rebord, se reporter à la fiche de spécifications de la page du produit sur le site [www.kohler.com](http://www.kohler.com) pour les dimensions de la zone du robinet pour le modèle en question.

**AVIS:** Pour adapter l'enveloppe de la baignoire, utiliser des connexions flexibles pour attacher les arrivées d'eau sur un robinet monté sur le rebord.

- Positionner le robinet dans l'emplacement souhaité le long de la baignoire. Assurer que le robinet n'interfère pas avec le drain et le trop-plein.

**REMARQUE:** Se reporter aux instructions d'installation accompagnant le robinet pour déterminer la taille du trou du robinet.

- Utiliser un crayon pour marquer les lignes centrales du robinet pour le perçage.
- Percer les orifices pour le robinet avec précaution.



## 2. Préparer le site

**AVIS:** Mesurer le produit pour la préparation du site. Noter le **numéro de modèle** se trouvant sur le côté arrière de la baignoire, puis visiter la page du produit sur le site [www.kohler.com](http://www.kohler.com) pour obtenir de l'information supplémentaire.

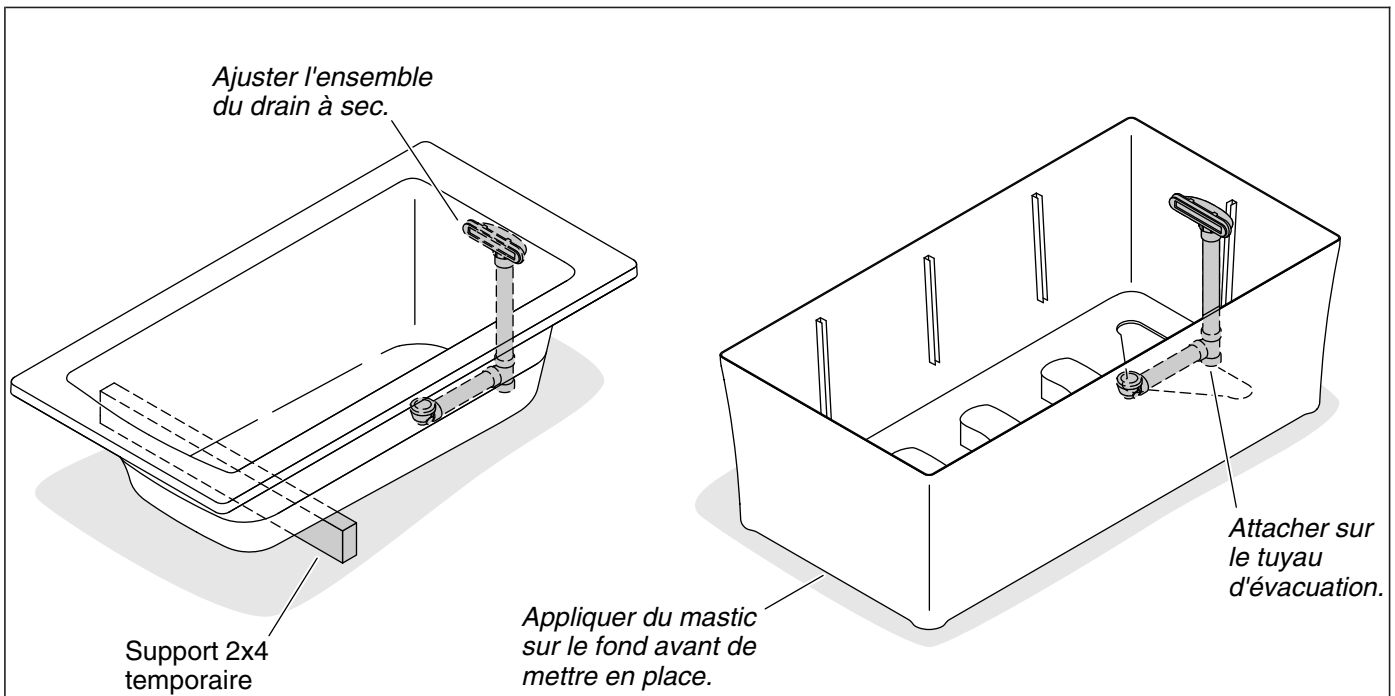
**AVIS:** Ne pas essayer de retirer le matériau de moulage durci qui couvre les blocs de support en bois. Le matériau de moulage est requis pour positionner et installer la baignoire correctement.

**IMPORTANT!** Pour assurer une installation réussie, il est important que la baignoire soit installée sur un sol fini de niveau.

**IMPORTANT!** S'assurer que le sous-plancher offre un support adéquat pour la baignoire.

- Retirer et jeter le film léger en plastique qui couvre les blocs de support.
- Positionner temporairement l'enveloppe dans l'emplacement d'installation.
- Vérifier que l'enveloppe est de niveau. Si nécessaire, positionner les cales sous l'enveloppe.
- Utiliser un crayon et tracer les trou de l'enveloppe sur le plancher.
- Retirer l'enveloppe et la mettre de côté.
- Fixer les cales sur le plancher.
- Positionner et installer un tuyau de drain de baignoire standard en PVC ou en laiton. Installer le tuyau de drainage de manière à l'étendre de 2-1/8" (54 mm) au-dessus du sol fini.

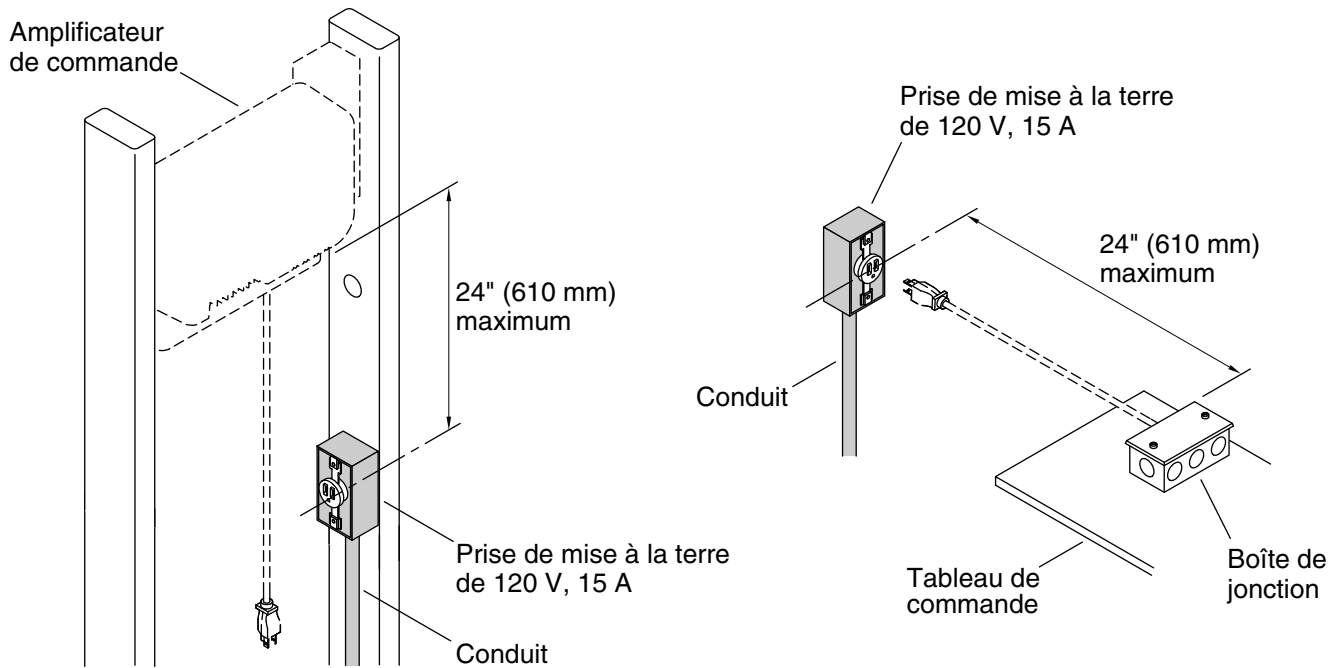
**REMARQUE:** Le tuyau de drainage doit être coupé, selon le drain installé.



### 3. Préparer la baignoire

**AVIS:** Se reporter aux instructions accompagnant le drain pour ajuster celui-ci à sec sur la baignoire. **Ne pas cimenter et terminer l'installation du drain avant d'en avoir reçu l'instruction.**

- Ajuster le drain et le trop-plein à sec sur la baignoire. Se reporter aux instructions accompagnant le drain. Ne pas appliquer de mastic ou de ciment sur les composants du drain à ce point.
- Positionner temporairement un montant 2x4 dans la zone d'installation pour supporter le bas de la baignoire du côté opposé au drain.
- Avec de l'aide, positionner la baignoire (sans l'enveloppe) et le drain par-dessus le tuyau du drain. Couper le tuyau du drain selon les besoins.
- Desserrer les connexions du drain et du trop-plein de la baignoire.
- Retirer la baignoire en laissant l'ensemble drain et trop-plein attachés sur le tuyau du drain.
- Retirer le support 2x4 temporaire de la zone d'installation.
- Cimenter et assembler les composants du drain et du trop-plein. Raccorder le drain au tuyau d'évacuation.
- Appliquer de l'adhésif à la silicone à séchage lent sur le fond de l'enveloppe.
- Positionner avec précaution l'enveloppe par-dessus le drain, en alignant le trou avec les repère tracés sur le plancher.



#### 4. Installer la prise électrique – États-Unis et Canada



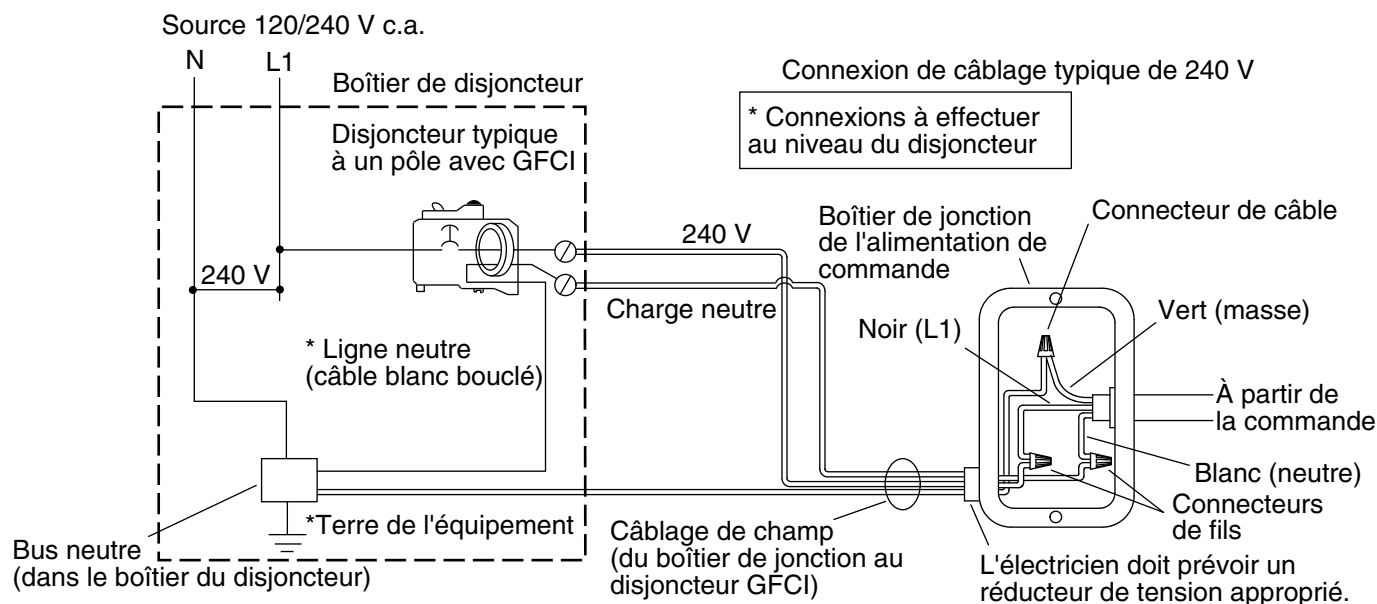
**AVERTISSEMENT: Risque de choc électrique.** Débrancher l'alimentation électrique avant d'effectuer les procédures suivantes.

**REMARQUE:** Pour les installations en Amérique latine, aller à la section "Effectuer des connexions électriques – Amérique latine".

**AVIS:** L'amplificateur de commande et la boîte de jonction sont munis d'un cordon et d'une fiche. Un électricien qualifié doit installer deux prises de 120 V et de 15 A, mises à la terre et protégées par un disjoncteur de fuite de terre (GFCI) ou un dispositif de protection à courant résiduel (RCD). Les deux prises peuvent partager le même service électrique, mais aucune autre charge ne doit se trouver sur ce circuit.

- Installer une prise mise à la terre de 120 V et 15 A dans la charpente des pans et à moins de 24" (610 mm) de l'emplacement prévu pour l'amplificateur de commande. Acheminer les câbles à travers le conduit pour l'installation de cette prise.
- Installer une prise de 120 V et 15 A mise à la terre à proximité de l'extrémité du tableau de commande de la baignoire et dans un rayon de 24" (610 mm) de la boîte de jonction.

Raccorder conformément aux codes nationaux et locaux.  
Des languettes de métallisation sont situées au-dessus du boîtier de jonction.



## 5. Effectuer les connexions électriques – Amérique latine

**REMARQUE:** Le régime électrique nominal du produit est imprimé sur une étiquette placée sur le côté lombaire de la baignoire. **Toutes les baignoires vibracoustiques sont conçues pour fonctionner entre 110 et 240 V à 50 ou à 60 Hz.**



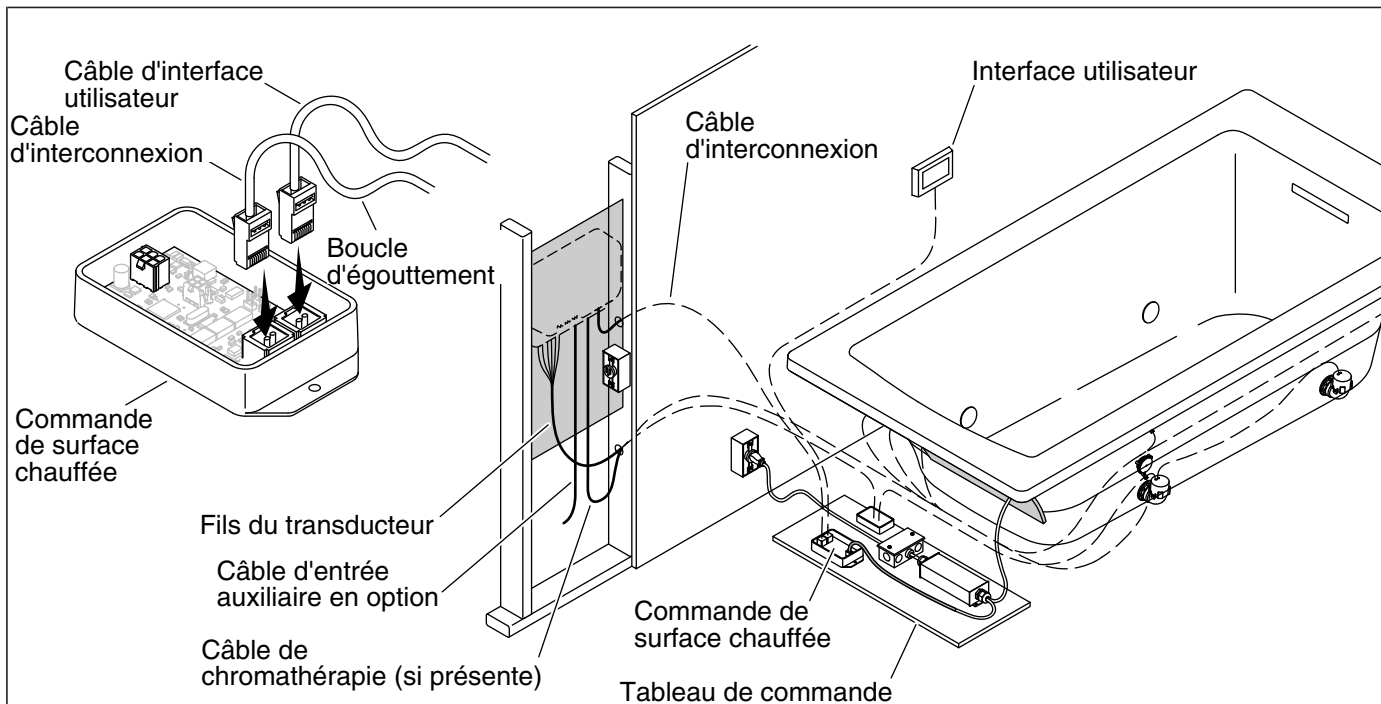
**AVERTISSEMENT: Risque de choc électrique.** Débrancher l'alimentation électrique avant d'effectuer les procédures suivantes.



**AVERTISSEMENT: Risque de choc électrique.** Connecter la baignoire à un disjoncteur de fuite de terre (GFCI) ou à un dispositif à courant résiduel (RCD) mis à la terre de manière adéquate afin de la protéger contre un danger de choc de tension phase-terre.

**IMPORTANT!** Le fil blanc doit être connecté à la borne de charge neutre sur le disjoncteur de fuite de terre (GFCI) ou le dispositif à courant résiduel (RCD). Le fil vert est la **terre de l'équipement** et doit être connecté sur le bus neutre dans la boîte du disjoncteur principal.

- Suivre tous les codes électriques locaux. Raccorder conformément aux codes nationaux et locaux.
- Retirer la fiche de 120 V de l'extrémité du cordon électrique.
- Retirer la fiche de 120 V du cordon électrique sur le boîtier de jonction monté sur le tableau de commande.
- Connecter le service à l'amplificateur avec une fiche de 240 V (non incluse) ou une connexion câblée.
- Connecter le service à la boîte de jonction avec une fiche de 240 V (non incluse) ou une connexion câblée.

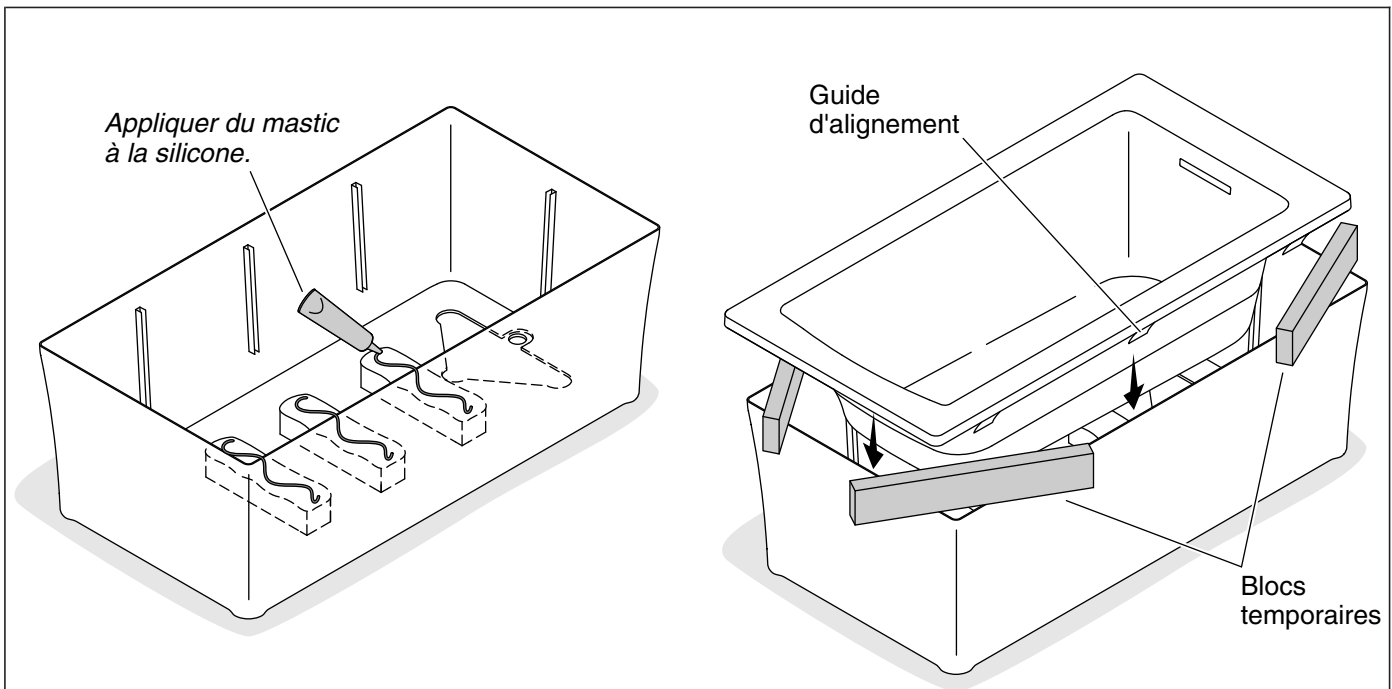


## 6. Préparer les câbles

**IMPORTANT!** La longueur de chacun des câbles qui raccordent l'amplificateur de commande aux transducteurs de la baignoire, à la commande de chromathérapie (si la baignoire en est équipée) et à l'interface utilisateur est de 25' (7,6 m). Prévoir l'emplacement de l'amplificateur de commande afin de ne pas créer de tension au niveau des câbles acheminés et connectés.

**REMARQUE:** La commande de surface chauffée est montée sur le tableau à l'extrémité de la baignoire.

- Connecter l'extrémité Ethernet plus grande du câble d'interface utilisateur sur l'un des ports de la commande de surface chauffée.
- Connecter le câble d'interconnexion (les deux extrémités sont pour l'Ethernet) pour l'amplificateur au port ouvert sur la commande de surface chauffée.
- Couper l'attache qui sécurise les fils spiralés du transducteur sur l'arrière de la baignoire.
- Lier tous les câbles électriques ensemble afin de pouvoir les acheminer plus facilement à travers l'enveloppe.



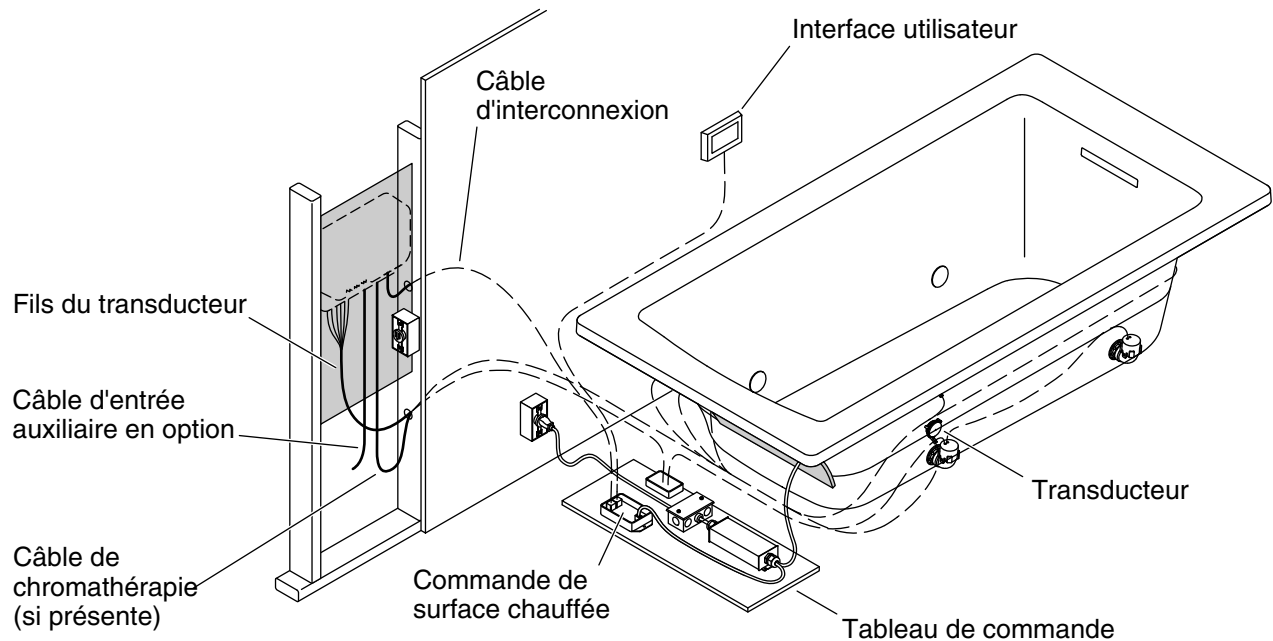
## 7. Installer la baignoire

- Appliquer une quantité généreuse de mastic à la silicone sur les blocs de support sur la base de l'enveloppe.
- Appliquer du mastic sur les deux côtés des joints se trouvant sur l'ensemble drain et trop-plein.

**REMARQUE:** Pour fournir un accès pour la fixation des connexions du robinet, positionner temporairement des espaceurs de blocs au niveau des coins, entre l'enveloppe et le rebord de la baignoire. Positionner les blocs de manière à éviter d'endommager les guides de centrage se trouvant sous le rebord de la baignoire.

- Avec de l'aide, lever la baignoire avec précaution pour la positionner par-dessus l'enveloppe et sur les espaceurs de blocs.
- Sécuriser toutes les connexions et tous les raccords du robinet.
- Acheminer les câbles liés à travers le trou dans le fond de l'enveloppe.
- Retirer les blocs avec précaution et s'assurer que les câbles ne sont pas pincés sous le rebord de la baignoire. S'assurer que le rebord de la baignoire engage le dessus de l'enveloppe sur tous les côtés.
- Installer la bride du drain et le couvercle du trop-plein selon les instructions accompagnant le drain.
- Fermer le drain de la baignoire. Remplir la baignoire jusqu'au trop-plein et rechercher des fuites.
- Si souhaité, appliquer un boudin fin et continu de mastic d'étanchéité à la silicone transparent ou de couleurs semblables sur le joint entre la baignoire et le sol fini.



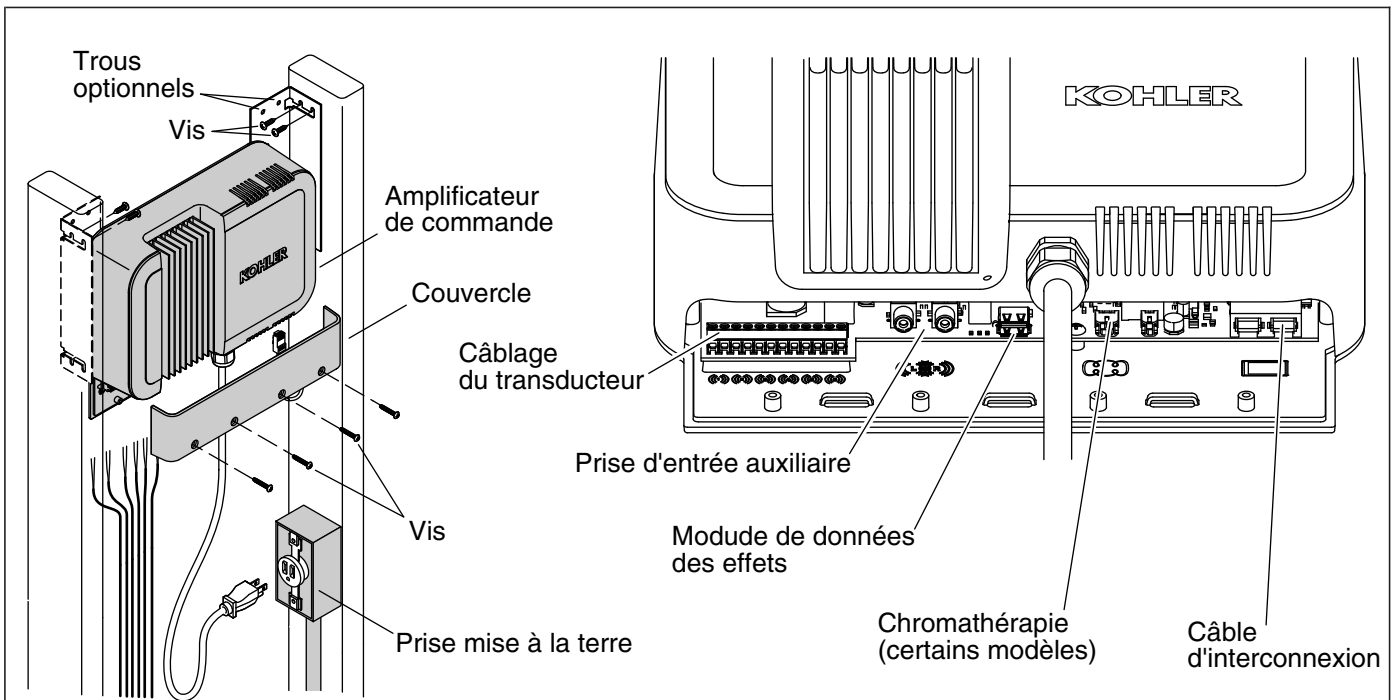


## 8. Connecter les câbles

- Acheminer les câbles liés du transducteur vers l'emplacement de l'amplificateur de commande. Percer des trous de 1" (52 mm) aux emplacements nécessaires.
- Si le dispositif est muni de la fonction de chromathérapie, acheminer son câble vers l'emplacement prévu de l'amplificateur. Acheminer le câble de la même manière que les câbles du transducteur.
- Acheminer le câble d'interconnexion vers l'emplacement de l'amplificateur de commande. Inclure une boucle d'égouttement.
- Acheminer le câble d'interface utilisateur vers l'emplacement prévu de l'interface utilisateur. Inclure une boucle d'égouttement.

**REMARQUE:** Une connexion de câble auxiliaire peut être utilisée pour apparier un dispositif BLUETOOTH® ou un autre dispositif à batterie, de manière à ce que les utilisateurs puissent jouer leur propre musique avec la baignoire vibracoustique.

- Si nécessaire, acheminer un câble d'entrée auxiliaire (non inclus) jusqu'à l'emplacement de l'amplificateur de commande.



## 9. Installer l'amplificateur de commande



**AVERTISSEMENT: Risque de choc électrique.** Brancher l'amplificateur de commande sur un réceptacle correctement mis à la terre prévu à cet effet et protégé par un disjoncteur de fuite de terre (GFCI) ou un dispositif de protection à courant résiduel (RCD). Ne pas retirer la cosse de mise à la terre de la prise ni utiliser d'adaptateur de mise à la terre.

**IMPORTANT!** Maintenir le matériel isolant à distance de l'amplificateur de commande. Assurer un espace d'air sans obstruction autour de l'amplificateur de commande pour permettre le refroidissement.

**REMARQUE:** Ne pas retirer les supports de fixation de l'amplificateur de commande.

- Positionner l'amplificateur à ras ou encastrer celui-ci à partir de l'avant des goujons.
- Utiliser les vis à bois fournies pour sécuriser l'amplificateur de commande sur la charpente. Utiliser les chevilles d'ancrage fournies s'il est nécessaire de le sécuriser sur un matériau de mur qui n'est pas en bois.

**REMARQUE:** Pour faire en sorte que les connexions de câblage soient plus accessibles, fixer temporairement l'amplificateur de commande avec une vis sur chaque côté, de manière à permettre à l'amplificateur de basculer vers l'avant. Une fois que les connexions de câblage ont été effectuées, sécuriser l'amplificateur de commande avec les vis restantes.

- Retirer le couvercle de l'amplificateur de commande en enlevant les quatre vis. Les conserver pour la réinstallation.

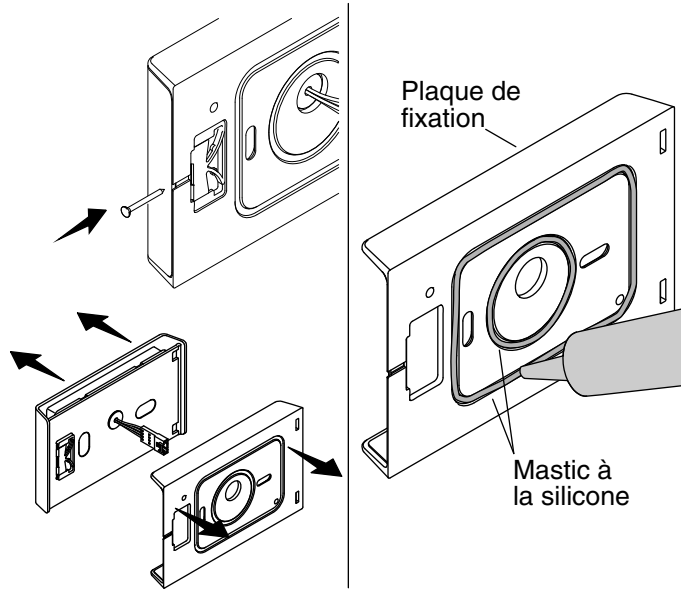
**REMARQUE:** Les bornes et les fils du transducteur sont numérotés pour permettre d'identifier les connexions appropriées. Lorsque requis, l'amplificateur de commande peut être retiré pour faciliter la procédure de connexion des fils.

- Attacher **solidement** les fils du transducteur sur les bornes du transducteur. Les fils blanc et noir sont des câbles positifs (+).
- Si la baignoire en est équipée, connecter le connecteur de chromathérapie à la borne de chromathérapie.
- Connecter le câble d'interconnexion entre le tableau de commande et l'amplificateur.

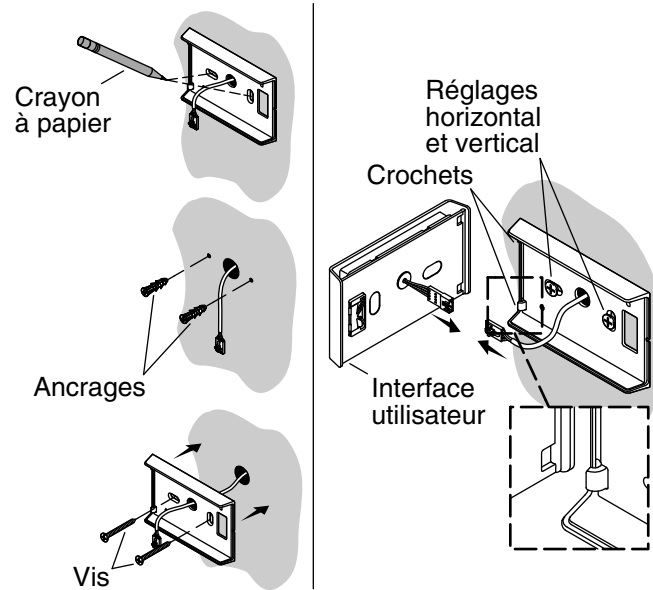
### **Installer l'amplificateur de commande (cont.)**

- S'ils sont utilisés, connecter les connecteurs RCA d'entrée auxiliaire optionnels aux bornes d'entrée auxiliaire.
- Réinstaller le couvercle sur l'amplificateur de commande avec les quatre vis.
- Brancher l'amplificateur de commande sur la prise électrique.
- Brancher le cordon de la boîte de jonction dans la prise électrique.

## Vue arrière



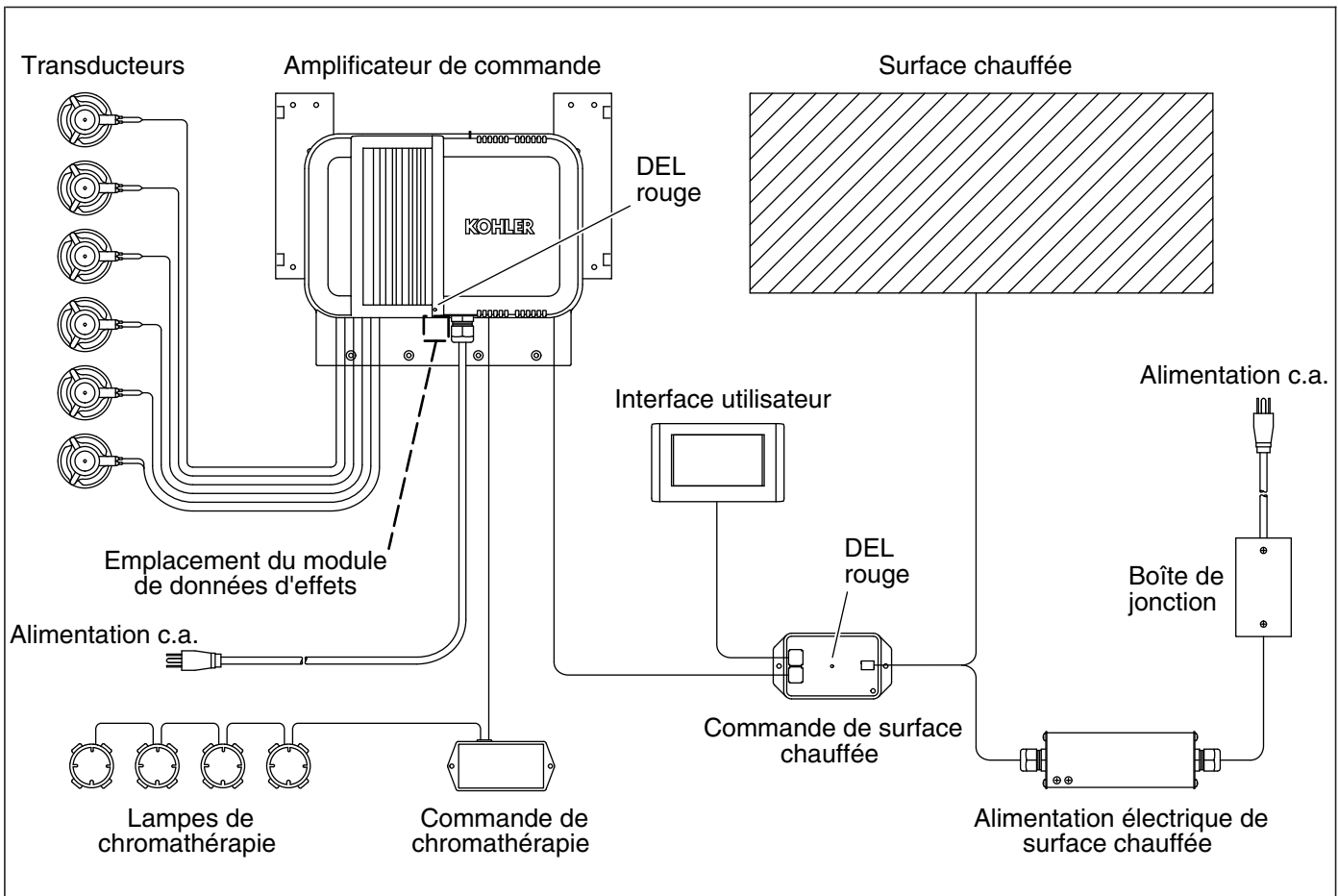
## Vue avant



## 10. Installer l'interface

**IMPORTANT!** Ne pas laisser le câble qui est acheminé à travers le mur tomber dans le mur.

- Pousser un clou fin dans la rainure se trouvant dans le côté arrière de l'interface utilisateur pour séparer cette dernière de la plaque de fixation.
- Placer la plaque de fixation par-dessus le câble et contre le mur fini de manière à ce que les crochets se trouvent sur la gauche.
- Mettre la plaque de fixation de niveau et marquer les emplacements des trous pour les vis sur le mur.
- Retirer la plaque de fixation et percer des trous de 1/4" aux emplacements marqués.
- Insérer les dispositifs d'ancrage fournis dans les trous.
- Appliquer un boudin de mastic à la silicone sur les deux rainures se trouvant à l'arrière de la plaque de fixation.
- Placer la plaque de fixation par-dessus le câble avec les crochets sur la gauche et la fixer au mur en utilisant les deux vis fournies.
- S'assurer que la surface est de niveau. Si nécessaire, desserrer les vis et ajuster la plaque de fixation.
- Connecter le câble à l'interface utilisateur.
- Engager le bord de l'interface utilisateur avec les deux crochets de la plaque de fixation, puis faire fermement pivoter l'interface utilisateur contre la plaque de fixation jusqu'à ce que les deux parties s'enclenchent.
- Se référer au guide de l'utilisateur inclus avec l'interface pour installer, programmer et vérifier le fonctionnement correct du produit.



## 11. Composants

### Dépannage

**AVIS:** Cette section est seulement destinée à une aide générale. Un représentant du service agréé Kohler Co. ou un électricien qualifié doit rectifier tous les problèmes électriques. Pour un service de garantie, appeler le 1-800-4KOHLER à partir des É.-U. et du Canada, ou le 001-800-456-4537 à partir du Mexique.

**REMARQUE:** Le numéro de modèle du produit est imprimé sur une étiquette placée du côté souffleur de la baignoire.

**REMARQUE:** Pour tout renseignement sur les pièces de rechange, visiter la page du produit sur le site [www.kohler.com/serviceparts](http://www.kohler.com/serviceparts).

#### Tableau de dépannage

Symptôme	Cause probable	Action recommandée
1. Pas de son; aucun effet ne fonctionne.	A. L'alimentation à l'amplificateur de commande est coupée.	A. Réinitialiser le disjoncteur pour l'amplificateur de commande, puis vérifier l'alimentation électrique et les connexions.
	B. L'amplificateur de commande doit être réinitialisé.	B. Si le voyant DEL rouge sur l'amplificateur de commande ne clignote pas, débrancher l'amplificateur de commande pendant 30 secondes, puis le rebrancher et le redémarrer.

## Dépannage (cont.)

### Tableau de dépannage

Symptôme	Cause probable	Action recommandée
	C. La connexion au module de données des effets est desserrée ou endommagée.	C. Inspecter le module de données afin d'y rechercher une connexion desserrée ou un endommagement. Sécuriser la connexion ou remplacer le module selon les besoins.
	D. Aucun effet n'a été sélectionné sur l'interface utilisateur.	D. Sélectionner un effet.
	E. L'intensité vibracoustique est en mode silence sur l'interface utilisateur.	E. Toucher l'icône [Silence] sur l'interface utilisateur pour désactiver cette option.
	F. Les connexions du câble de l'interface utilisateur sont desserrées ou endommagées.	F. Inspecter les câbles entre l'interface utilisateur, la commande de surface chauffée et l'amplificateur de commande. Sécuriser les connexions ou remplacer les câbles selon les besoins.
	G. L'amplificateur de commande ou la commande de surface chauffée ne fonctionne pas.	G. Si le voyant DEL rouge de l'amplificateur de commande ne clignote pas après un redémarrage, inspecter l'amplificateur de commande et/ou la commande de la surface chauffée et remplacer selon les besoins.
	H. L'interface utilisateur ne fonctionne pas.	H. Inspecter l'interface utilisateur. Remplacer selon les besoins.
2. La musique est déformée (résonance non désirée) lorsque les fonctions vibracoustiques sont activées.	A. Le réglage d'intensité est trop élevé sur l'interface utilisateur.	A. Baisser le réglage d'intensité sur l'interface utilisateur.
	B. Les transducteurs sur la surface arrière de la baignoire sont en contact direct avec la charpente, les poutrelles ou tout autre matériel.	B. Retirer ou repositionner tout matériel qui entre en contact direct avec les transducteurs.
	C. Un ou plusieurs transducteurs sur la surface arrière de la baignoire sont desserrés.	C. Faire tourner le ou les transducteurs desserrés dans le sens horaire jusqu'à ce qu'ils soient serrés. <b>Ne pas trop serrer.</b>
	D. La baignoire est en contact direct avec la charpente, les poutrelles ou tout autre matériel.	D. Identifier le point de contact et rectifier le problème. La baignoire ne doit pas entrer en contact avec la charpente ou tout autre matériel de support.
3. L'interface utilisateur ne s'allume pas.	A. L'alimentation à l'amplificateur de commande n'est pas allumée.	A. Réinitialiser le disjoncteur pour l'amplificateur de commande, puis vérifier l'alimentation électrique et les connexions.
	B. L'amplificateur de commande doit être réinitialisé.	B. Si le voyant DEL rouge sur l'amplificateur de commande ne clignote pas, débrancher l'amplificateur de commande pendant 30 secondes, puis le rebrancher et le redémarrer.

## Dépannage (cont.)

### Tableau de dépannage

Symptôme	Cause probable	Action recommandée
	C. Les connexions du câble d'interface sont desserrées ou endommagées.	C. Inspecter les câbles entre l'interface utilisateur, la commande de surface chauffée, et l'amplificateur de commande. Sécuriser les connexions ou remplacer les câbles selon les besoins.
	D. L'amplificateur de commande ou la commande de surface chauffée ne fonctionne pas.	D. Si le voyant DEL rouge de l'amplificateur de commande ne clignote pas après un redémarrage, inspecter l'amplificateur de commande et/ou la commande de la surface chauffée et remplacer selon les besoins.
	E. L'interface utilisateur ne fonctionne pas.	E. Inspecter l'interface utilisateur. Remplacer selon les besoins.
4. L'interface utilisateur s'allume mais ne fonctionne pas.	A. L'amplificateur de commande doit être réinitialisé.	A. Si le voyant DEL rouge sur l'amplificateur de commande ne clignote pas, débrancher l'amplificateur de commande pendant 30 secondes, puis le rebrancher et le redémarrer.
	B. Les connexions du câble d'interface sont desserrées ou endommagées.	B. Inspecter les câbles entre l'interface utilisateur, la commande de surface chauffée, et l'amplificateur de commande. Sécuriser les connexions ou remplacer les câbles selon les besoins.
	C. L'amplificateur de commande ou la commande de surface chauffée ne fonctionne pas.	C. Si le voyant DEL rouge de l'amplificateur de commande ne clignote pas après un redémarrage, inspecter l'amplificateur de commande et/ou la commande de la surface chauffée et remplacer selon les besoins.
	D. L'interface utilisateur ne fonctionne pas.	D. Inspecter l'interface utilisateur. Remplacer selon les besoins.
5. La musique auxiliaire ne fonctionne pas.	A. L'alimentation à l'amplificateur de commande n'est pas allumée.	A. Réinitialiser le disjoncteur pour l'amplificateur de commande, puis vérifier l'alimentation électrique et les connexions.
	B. L'amplificateur de commande doit être réinitialisé.	B. Si le voyant DEL rouge sur l'amplificateur de commande ne clignote pas, débrancher l'amplificateur de commande pendant 30 secondes, puis le rebrancher et le redémarrer.
	C. Les connexions des câbles d'entrée auxiliaire ou de l'interface utilisateur sont desserrées ou endommagées.	C. Inspecter les câbles entre l'interface utilisateur, la commande de surface chauffée, et l'amplificateur de commande. Sécuriser les connexions ou remplacer les câbles selon les besoins.
	D. L'option de source de musique auxiliaire n'est pas sélectionnée sur l'interface utilisateur.	D. Sélectionner l'option de musique auxiliaire sur l'interface utilisateur.
	E. Le son vibracoustique est en mode silence sur l'interface utilisateur.	E. Toucher l'icône [Silence] sur l'interface utilisateur pour désactiver cette option.

**Dépannage (cont.)****Tableau de dépannage**

Symptôme	Cause probable	Action recommandée
	F. L'intensité vibracoustique est baissée sur l'interface utilisateur.	F. Monter l'intensité vibracoustique sur l'interface utilisateur.
	G. L'amplificateur de commande ou la commande de surface chauffée ne fonctionne pas.	G. Si le voyant DEL rouge de l'amplificateur de commande ne clignote pas après un redémarrage, inspecter l'amplificateur de commande et/ou la commande de la surface chauffée et remplacer selon les besoins.
	H. L'interface utilisateur ne fonctionne pas.	H. Inspecter l'interface utilisateur. Remplacer selon les besoins.

**Tableau de dépannage pour la chromathérapie (en option)**

Symptôme	Cause probable	Action recommandée
1. Les lampes de chromathérapie ne fonctionnent pas.	A. L'alimentation à l'amplificateur de commande est coupée.	A. Réinitialiser le disjoncteur pour l'amplificateur de commande, puis vérifier l'alimentation électrique et les connexions.
	B. L'amplificateur de commande doit être réinitialisé.	B. Si le voyant DEL rouge sur l'amplificateur de commande ne clignote pas, débrancher l'amplificateur de commande pendant 30 secondes, puis le rebrancher et le redémarrer.
	C. La fonction de chromathérapie n'a pas été sélectionnée sur l'interface utilisateur.	C. Sélectionner la fonction de chromathérapie sur l'interface utilisateur.
	D. Les connexions des câbles de chromathérapie ou de l'interface utilisateur sont desserrées ou endommagées.	D. Inspecter les câbles afin d'y rechercher des connexions desserrées ou un endommagement. Sécuriser ou remplacer les câbles selon les besoins.
	E. L'amplificateur de commande ne fonctionne pas.	E. Si le voyant DEL rouge de l'amplificateur de commande ne clignote pas après un redémarrage, inspecter l'amplificateur de commande et remplacer selon les besoins.
	F. L'interface utilisateur ne fonctionne pas.	F. Vérifier que le câble de l'interface utilisateur est bien connecté à l'interface utilisateur et à la borne de l'amplificateur de commande. Si les connexions sont adéquates, remplacer l'interface utilisateur.
	G. La commande de chromathérapie ne fonctionne pas.	G. Remplacer la commande de chromathérapie.
2. Les lampes de chromathérapie ne passent pas par toutes les couleurs.	A. L'amplificateur de commande doit être réinitialisé.	A. Si le voyant DEL rouge sur l'amplificateur de commande ne clignote pas, débrancher l'amplificateur de commande pendant 30 secondes, puis le rebrancher et le redémarrer.



## Dépannage (cont.)

### Tableau de dépannage pour la chromathérapie (en option)

Symptôme	Cause probable	Action recommandée
	<b>B.</b> Les connexions des câbles de chromathérapie ou de l'interface utilisateur sont desserrées ou endommagées.	<b>B.</b> Inspecter les câbles pour y rechercher des connexions desserrées ou un endommagement. Sécuriser ou remplacer les câbles selon les besoins.
	<b>C.</b> L'amplificateur de commande ne fonctionne pas.	<b>C.</b> Si le voyant DEL rouge de l'amplificateur de commande ne clignote pas après un redémarrage, inspecter l'amplificateur de commande et remplacer selon les besoins.
	<b>D.</b> L'interface utilisateur ne fonctionne pas.	<b>D.</b> Faire un cycle de toutes les fonctions de lampes de chromathérapie. Si les lampes ne passent pas par toutes les couleurs et si l'icône bleue sur l'interface utilisateur n'est pas allumée, remplacer l'interface utilisateur.
	<b>E.</b> Si aucune des actions recommandées ne corrige le problème, contacter Kohler Co.	<b>E.</b> Contacter le service après-vente en utilisant les coordonnées fournies sur la couverture arrière.

### Tableau de dépannage de la surface chauffée

Symptômes	Cause probable	Action recommandée
<b>1.</b> La surface chauffée ne se met pas en marche.	<b>A.</b> Aucune alimentation pour la source d'alimentation électrique.	<b>A.</b> Armer/réarmer le disjoncteur GFCI ou RCD; inspecter le câblage et les connexions de l'alimentation électrique.
	<b>B.</b> La commande de la surface chauffée doit être réinitialisée.	<b>B.</b> Si le voyant DEL rouge sur la commande de surface chauffée ne clignote pas, débrancher la commande pendant 30 secondes, puis la rebrancher et la redémarrer.
	<b>C.</b> Les connexions du câble d'interface utilisateur sont desserrées ou endommagées.	<b>C.</b> Inspecter les câbles entre l'interface utilisateur, la commande de surface chauffée, et l'amplificateur de commande. Sécuriser les connexions ou remplacer les câbles selon les besoins.
	<b>D.</b> La commande de surface chauffée ne fonctionne pas.	<b>D.</b> Inspecter la commande de surface chauffée. Remplacer selon les besoins.
	<b>E.</b> L'alimentation électrique ne fonctionne pas.	<b>E.</b> Inspecter l'alimentation électrique. Remplacer selon les besoins.
	<b>F.</b> L'interface utilisateur ne fonctionne pas.	<b>F.</b> Inspecter l'interface utilisateur. Remplacer selon les besoins.
<b>2.</b> La baignoire est en marche, mais la chaleur est faible ou inexistante.	<b>A.</b> Câble de l'appareil de chauffage desserré ou endommagé.	<b>A.</b> Inspecter les câbles entre l'interface utilisateur, la commande de surface chauffée, et l'amplificateur de commande. Sécuriser les connexions ou remplacer les câbles selon les besoins.
	<b>B.</b> Appareil de chauffage/matériau isolant desserré sur la baignoire.	<b>B.</b> Sécuriser l'appareil de chauffage/le matériau isolant sur la baignoire.
	<b>C.</b> L'indicateur de chaleur est défini sur l'option de chaleur modérée.	<b>C.</b> Appuyer sur l'icône plus [+] pour augmenter la température.

## Dépannage (cont.)

### Tableau de dépannage de la surface chauffée

Symptômes	Cause probable	Action recommandée
	D. L'appareil de chauffage ne fonctionne pas.	D. Remplacer l'appareil de chauffage.
	E. La sonde de température ne fonctionne pas.	E. Remplacer l'appareil de chauffage.

# Guía de instalación

## Bañera vibracústica autosoportada con superficie de calefacción

### INSTRUCCIONES IMPORTANTES



**ADVERTENCIA:** Al usar aparatos eléctricos siempre cumpla las precauciones básicas, incluidas las siguientes:



**ADVERTENCIA: Riesgo de sacudidas eléctricas.** Solo conecte a un circuito protegido por un interruptor de circuito con pérdida a tierra (GFCI)\*. **Se requiere conexión a tierra.** Un representante de servicio autorizado debe instalar esta unidad y conectarla a tierra.



**ADVERTENCIA: Riesgo de sacudidas eléctricas.** Un electricista calificado debe tender todo el cableado eléctrico.



**ADVERTENCIA: Riesgo de sacudidas eléctricas.** Desconecte el suministro eléctrico antes de dar servicio.



**ADVERTENCIA: Riesgo de sacudidas eléctricas.** No haga funcionar dispositivos auxiliares eléctricos cerca del agua.



**ADVERTENCIA: Riesgo de daños a la propiedad.** Los materiales de construcción y el cableado se deben colocar lejos de los componentes de la bañera que producen calor.



**ADVERTENCIA: Riesgo de lesiones personales o de daños a la propiedad.** Lea atentamente todas las instrucciones antes de comenzar la instalación.

**AVISO: Cumpla todos los códigos de plomería, eléctricos y de construcción.** En Canadá, instale la unidad conforme al Código Eléctrico Canadiense, Parte 1.

**AVISO:** Si el cable de suministro eléctrico está dañado, debe ser reemplazado por el fabricante, por su agente de servicio o por personas igualmente calificadas para así evitar un peligro.

\*Fuera de los Estados Unidos, este dispositivo se conoce como dispositivo de corriente residual (RCD, por sus siglas en inglés).

### Información sobre el producto

#### Requisitos eléctricos



**ADVERTENCIA: Riesgo de quemaduras, incendio, sacudida eléctrica o lesiones personales.** No haga funcionar el calentador si el cable de suministro eléctrico está dañado. Para obtener asesoría correcta sobre la reparación de este producto, llame al: 1-800-4KOHLER desde los EE.UU. o Canadá, o al 001-800-456-4537 desde México.

La instalación debe contar con un interruptor de circuito con pérdida a tierra (GFCI)\* de Clase A. El interruptor GFCI protege contra el peligro de sacudida eléctrica de línea a tierra. **Utilice un circuito dedicado de 120 V, 15 A y 60 Hz para la bañera.**

Se requieren dos tomacorrientes GFCI de 120 V, 15 A (240 V, 15 A en América Latina). Se debe ubicar un tomacorriente dentro de la estructura de postes de madera y a menos de 24" (610 mm) del amplificador de control. El otro tomacorriente se debe ubicar a menos de 24" (610 mm) de la caja de empalmes montada en el tablero de control en el extremo lumbar de la bañera. Ambos tomacorrientes pueden compartir el mismo servicio eléctrico, pero no debe haber ninguna otra carga en este circuito.

## Información sobre el producto (cont.)

\*Fuera de los Estados Unidos, este dispositivo se conoce como dispositivo de corriente residual (RCD, por sus siglas en inglés).

## Herramientas y materiales



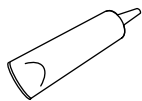
Lentes de seguridad



Cinta para medir



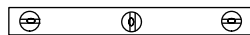
Lápiz



Sellador de silicona



Adhesivo de silicona



Nivel

Más:

- Lona
- Cuñas
- Tubo corto de PVC o cople de 1-1/2" de diámetro
- Listones de 2x4
- Bloques de madera
- Guantes

## Antes de comenzar

**AVISO:** El piso debe proporcionar soporte adecuado. Anote el **número de modelo** que está en el lado posterior de la bañera, y luego consulte información adicional en la página del producto en [www.kohler.com](http://www.kohler.com).

**AVISO:** No apoye el peso de la bañera sobre el reborde.

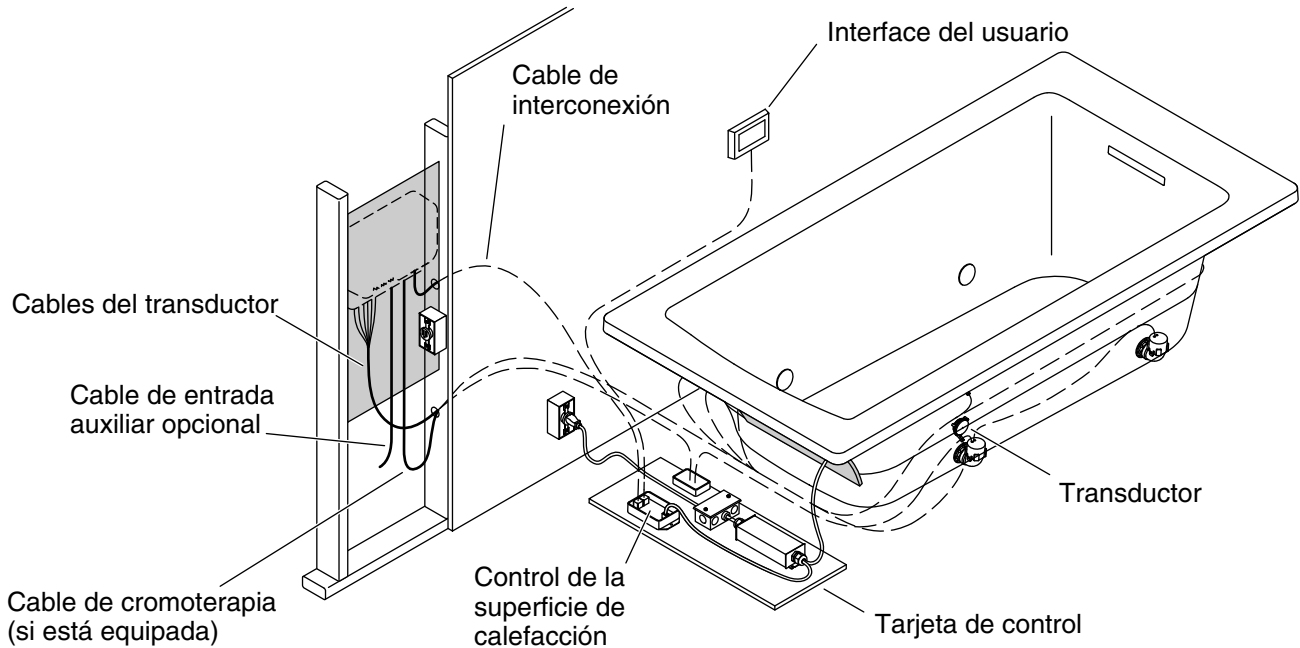
**AVISO:** Antes de instalar la grifería de bañera de montaje al reborde, consulte la hoja de especificaciones en la página del producto en [www.kohler.com](http://www.kohler.com).

**AVISO:** Varios de los componentes incluidos de la bañera reciben energía eléctrica del amplificador de control por cables de 25' (7,6 m). Planee la ubicación del amplificador de control de manera que los cables alcancen sin tensión.

- Cumpla todos los códigos locales de plomería y construcción.
- Saque de su embalaje la bañera y sus componentes, y verifique que no estén dañados. Vuelva a colocar la bañera y los componentes en la caja hasta que vaya a hacer la instalación.
- Para simplificar el mantenimiento en el futuro, asegúrese de que todas las conexiones de plomería, el amplificador de control y las conexiones de la tarjeta de control de la bañera estén fácilmente accesibles.
- Utilice tubo conduit para tender los cables eléctricos desde el interruptor de circuito.
- Elija la ubicación para un dispositivo de audio auxiliar, si se utiliza. No ubique dispositivos que utilicen energía eléctrica de CA al alcance de la bañera.
- Planifique con cuidado cómo va a mover la bañera al área de instalación. Esta bañera no cabe fácilmente a través de los marcos de las puertas.
- Se necesitan dos personas para instalar este producto.
- Instale la bañera sobre piso acabado, nivelado y con suficiente soporte.
- Esta bañera está diseñada solamente para instalación autosoportada.

### **Antes de comenzar (cont.)**

- Si se va a instalar grifería de montaje al reborde, antes de taladrar los orificios verifique que no haya interferencias con el rebosadero de desagüe. Consulte los códigos locales y nacionales para obtener los requisitos mínimos de separación al instalar un surtidor en el reborde.
- Es posible que las ilustraciones no muestren el producto exacto que usted adquirió, pero sí aplican a esta instalación.
- Esta bañera cumple la norma CSA B45.5/IAPMO Z124. Todas las dimensiones son nominales.



## Planee la instalación

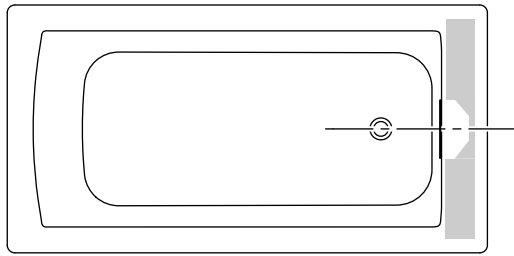
Para obtener los mejores resultados, siga la secuencia de instalación a continuación. Las instrucciones detalladas se encuentran en las páginas siguientes de este guía.

### Secuencia de instalación recomendada

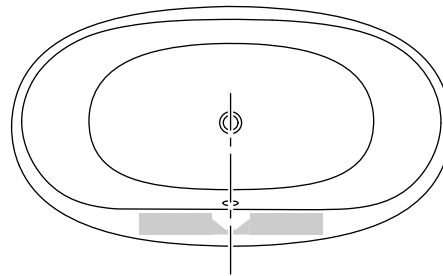
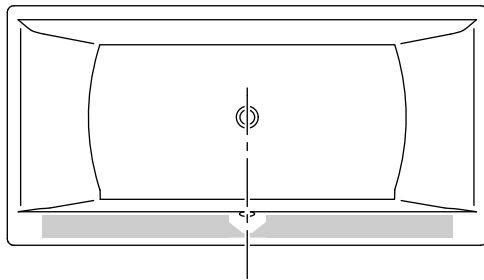
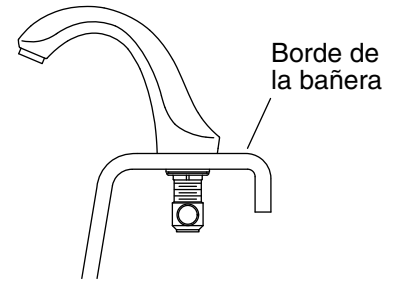
- Determine las ubicaciones de los componentes de la bañera. Consulte la ilustración para las ubicaciones de preferencia.
- Planee la ubicación del panel de acceso requerido para dar servicio al amplificador de control.
- Tienda las líneas de suministro de plomería.
- Prepare el reborde de la bañera si va a usar una grifería de montaje al reborde.
- Marque e instale el tubo de desagüe.
- Instale la carcasa de la bañera.
- Ate todos los cables en preparación a la instalación de la bañera.
- Instale un tomacorriente a menos de 24" (610 mm) de la ubicación del amplificador de control.
- Instale un tomacorriente a menos de 24" (610 mm) de la caja de empalmes en el tablero de control.
- Instale la bañera y el desagüe. Tienda los cables atados a través del fondo de la carcasa.
- Tienda los cables de los transductores a la ubicación del amplificador de control.
- Si está equipada la cromoterapia, tienda el cable de cromoterapia a la ubicación del amplificador de control.
- Tienda el cable de la interface del usuario a la ubicación de la interface del usuario.
- Tienda el cable de interconexión al amplificador de control.
- Conecte los cables de los transductores, el cable de interconexión, el cable auxiliar opcional y el cable de cromoterapia (si está equipada) al amplificador de control.
- Instale el amplificador de control.
- Instale el panel de acceso para el amplificador de control.

### **Planee la instalación (cont.)**

- Conecte el cable de la interface del usuario a la interface del usuario, e instale la interface.
- Conecte los cables del amplificador de control y la caja de empalmes a los tomacorrientes.
- Pruebe la funcionalidad de todos los componentes de la bañera. Consulte el funcionamiento en la "Guía del usuario".



Área recomendada para la grifería (vea las dimensiones en la hoja de especificaciones)



## 1. Prepare la grifería de montaje al reborde (opcional)

**AVISO:** Antes de instalar la grifería de bañera de montaje al reborde, consulte las dimensiones de área para la grifería de su modelo en la hoja de especificaciones en la página del producto en [www.kohler.com](http://www.kohler.com).

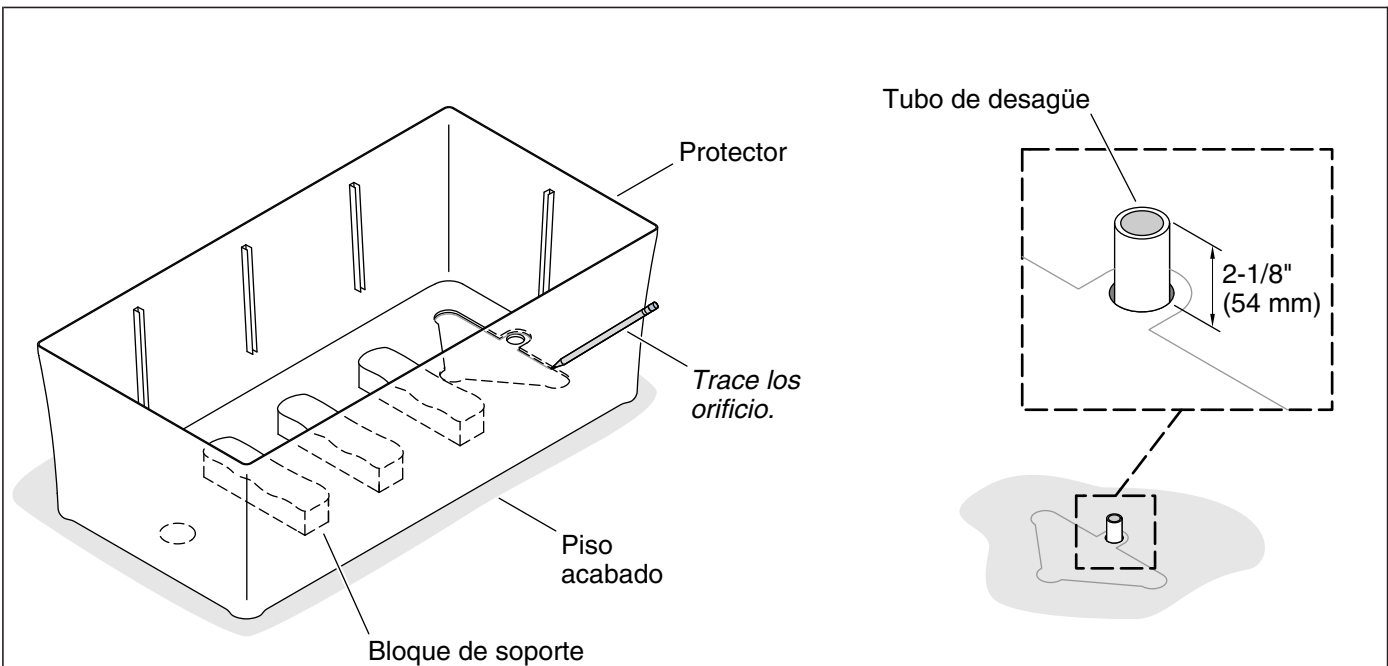
**AVISO:** Para adaptarse a la carcasa de la bañera, use conexiones flexibles para unir los suministros de agua a la grifería de montaje al reborde.

- Coloque la grifería en el lugar deseado en la bañera. Asegúrese de que la grifería no interfiera con el desagüe ni con el rebosadero.

**NOTA:** Para determinar el tamaño de los orificios para la grifería consulte las instrucciones de instalación que se incluyen con la grifería.

- Para taladrar, marque con un lápiz las líneas centrales de la grifería.
- Con cuidado taladre los orificios para la grifería.





## 2. Prepare el sitio

**AVISO:** Mida el producto para preparar el lugar. Fíjese en el **número de modelo** ubicado en el lado posterior de la bañera, luego visite la página del producto en [www.kohler.com](http://www.kohler.com) para información adicional.

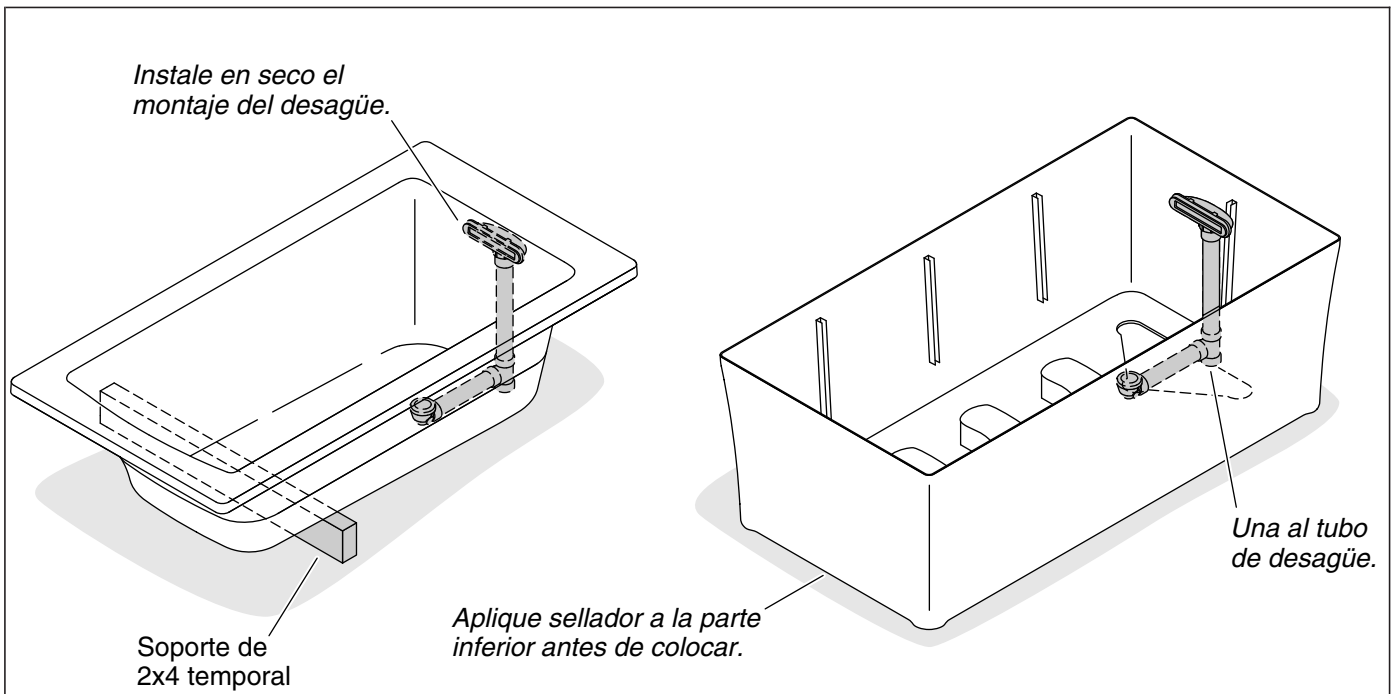
**AVISO:** No intente retirar el material de fundición endurecido que cubre los bloques de soporte de madera. Se necesita el material de fundición para colocar e instalar correctamente la bañera.

**¡IMPORTANTE!** Para asegurar que la instalación sea exitosa, el piso donde se instale la bañera debe estar acabado y nivelado.

**¡IMPORTANTE!** Verifique que el subpiso ofrezca el soporte adecuado para la bañera.

- Retire y deseche la delgada película plástica que cubre los bloques de soporte.
- Coloque temporalmente la carcasa en el lugar de instalación.
- Verifique que la carcasa esté nivelada. De ser necesario, coloque cuñas bajo la carcasa.
- Trace con un lápiz el orificio de la carcasa en el piso.
- Retire la carcasa y colóquela a un lado.
- Fije las cuñas al piso.
- Coloque e instale un tubo de desagüe estándar de PVC o de latón para bañera. Instale el tubo de desagüe de modo que sobresalga 2-1/8" (54 mm) sobre el piso acabado.

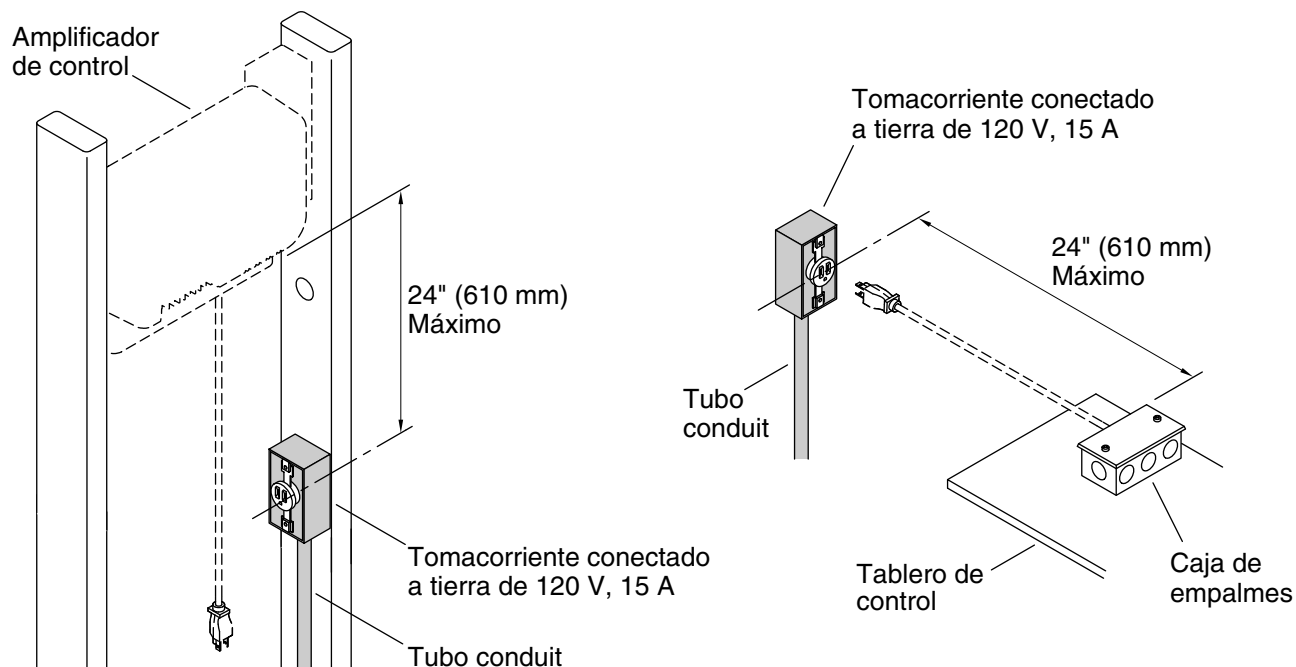
**NOTA:** Es posible que el tubo de desagüe deba ser recortado, de acuerdo al desagüe instalado.



### 3. Prepare la bañera

**AVISO:** Consulte las instrucciones de desagüe para instalar en seco a la bañera. **No cimente ni termine la instalación del desagüe antes de que se le indique hacerlo.**

- Coloque preliminarmente el desagüe y el montaje del rebosadero a la bañera. Consulte las instrucciones de desagüe. No aplique sellador ni cemento a los componentes del desagüe en este momento.
- Coloque temporalmente un refuerzo de 2x4 en el área de instalación para dar apoyo al fondo de la bañera del lado opuesto al desagüe.
- Con ayuda coloque la bañera (sin la carcasa) y el montaje del desagüe sobre el tubo de desagüe. Recorte el tubo de desagüe lo que sea necesario
- Afloje las conexiones del desagüe y del rebosadero de la bañera.
- Retire la bañera, pero deje el montaje del rebosadero y del desagüe conectados al tubo de desagüe.
- Retire el refuerzo de 2x4 temporal del área de instalación.
- Cemente y ensamble los componentes del desagüe y del rebosadero. Conecte el desagüe al tubo de desagüe.
- Aplique adhesivo de silicona de secado lento al fondo de la carcasa.
- Coloque con cuidado la carcasa sobre el desagüe de manera que el orificio quede alineado con la marca que trazó en el piso.



#### 4. Instale el tomacorriente eléctrico – Estados Unidos y Canadá



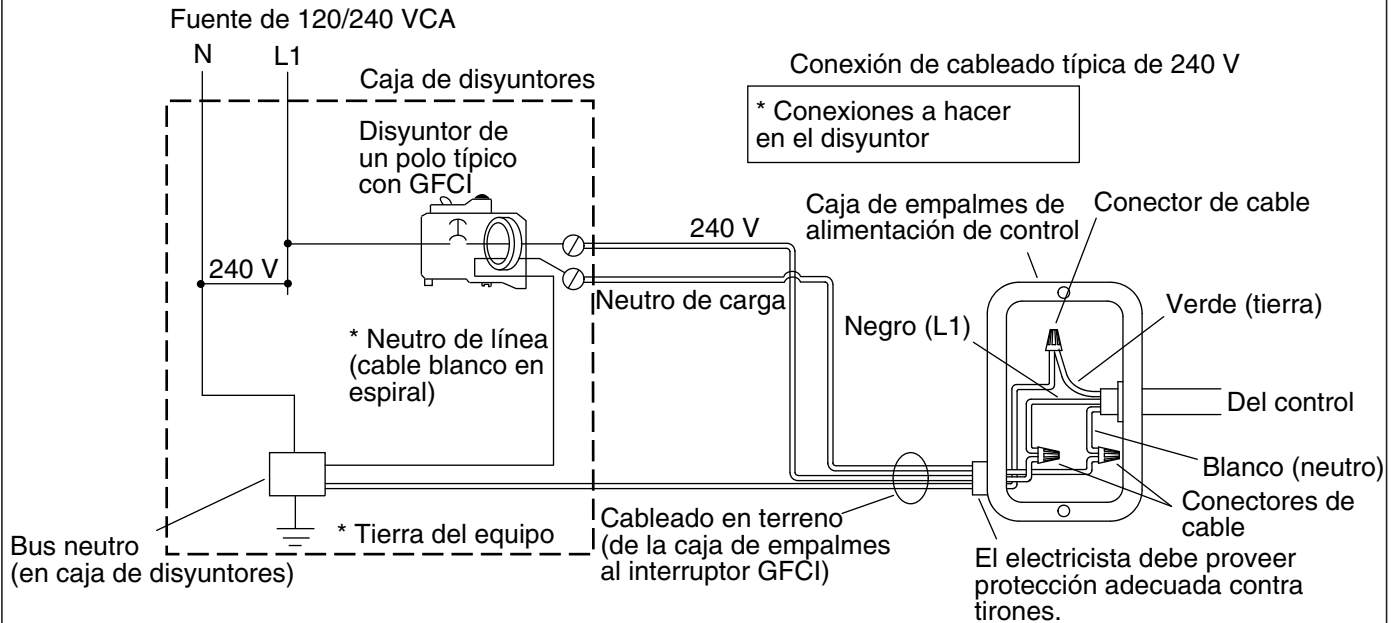
**ADVERTENCIA: Riesgo de sacudidas eléctricas.** Desconecte el suministro eléctrico antes de realizar los siguientes procedimientos.

**NOTA:** Para instalaciones en América Latina, pase a la sección "Haga las conexiones eléctricas – América Latina".

**AVISO:** El amplificador de control y la caja de empalmes están equipados con un cable y un enchufe. Un electricista calificado debe instalar dos tomacorrientes conectados a tierra, de 120 V, 15 A con protección mediante un interruptor GFCI o RCD. Ambos tomacorrientes pueden compartir el mismo servicio eléctrico, pero no debe haber ninguna otra carga en este circuito.

- Instale un tomacorriente con conexión a tierra de 120 V, 15 A, dentro de la estructura de postes en la pared, y a menos de 24" (610 mm) del lugar planeado para el amplificador de control. Tienda los cables a través de tubo conduit para esta instalación de tomacorriente.
- Instale un tomacorriente de 120 V, 15 A conectado a tierra cerca del extremo de la bañera donde está el tablero de control y a menos de 24" (610 mm) de la caja de empalmes.

Haga los empalmes de acuerdo a los códigos nacionales y locales.  
Hay lengüetas de empalme abiertas en la parte superior de la caja de empalmes.



## 5. Haga las conexiones eléctricas – América Latina

**NOTA:** La capacidad eléctrica del producto está impresa en una etiqueta en el lado lumbar de la bañera. Todas las bañeras vibracústicas están diseñadas para funcionamiento entre 110 V y 240 V, en 50 Hz o 60 Hz.



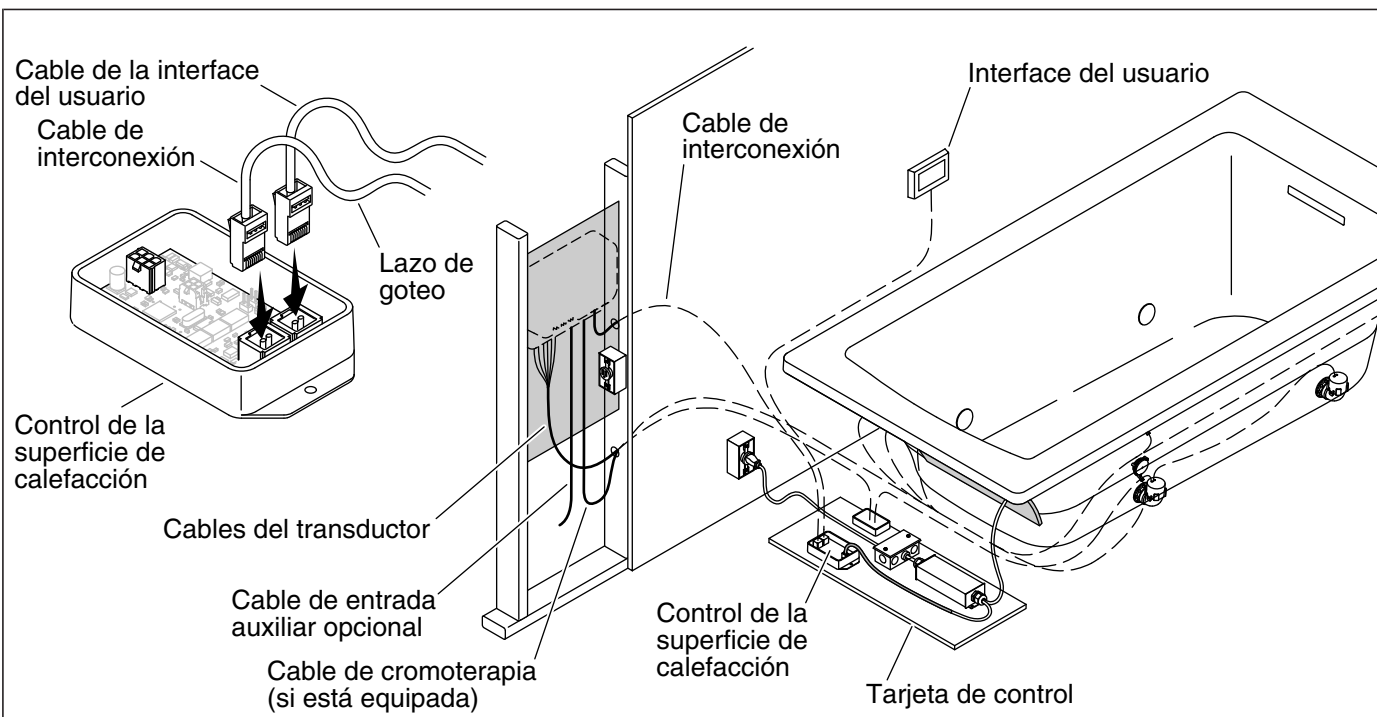
**ADVERTENCIA: Riesgo de sacudidas eléctricas.** Desconecte el suministro eléctrico antes de realizar los siguientes procedimientos.



**ADVERTENCIA: Riesgo de sacudidas eléctricas.** Conecte la bañera a un interruptor de circuito con pérdida a tierra (GFCI) o un dispositivo de corriente residual (RCD) para protección contra el peligro de sacudida eléctrica de línea a tierra.

**¡IMPORTANTE!** El cable blanco debe conectarse al terminal de neutro de carga en el interruptor GFCI o RCD. El cable verde es la **tierra del equipo** y se tiene que conectar al bus neutro en la caja de disyuntores principal.

- Cumpla con todos los códigos eléctricos locales. Cumpla con los códigos nacionales y locales.
- Retire el tapón de 120 V del extremo del cable eléctrico.
- Retire el tapón de 120 V del cable eléctrico en la caja de empalmes montada a la tarjeta de control.
- Conecte el servicio eléctrico al amplificador con un enchufe de 240 V (no provisto) o cableado directo.
- Conecte el servicio eléctrico a la caja de empalmes con una conexión de enchufe de 240 V (no provisto) o cableado directo.

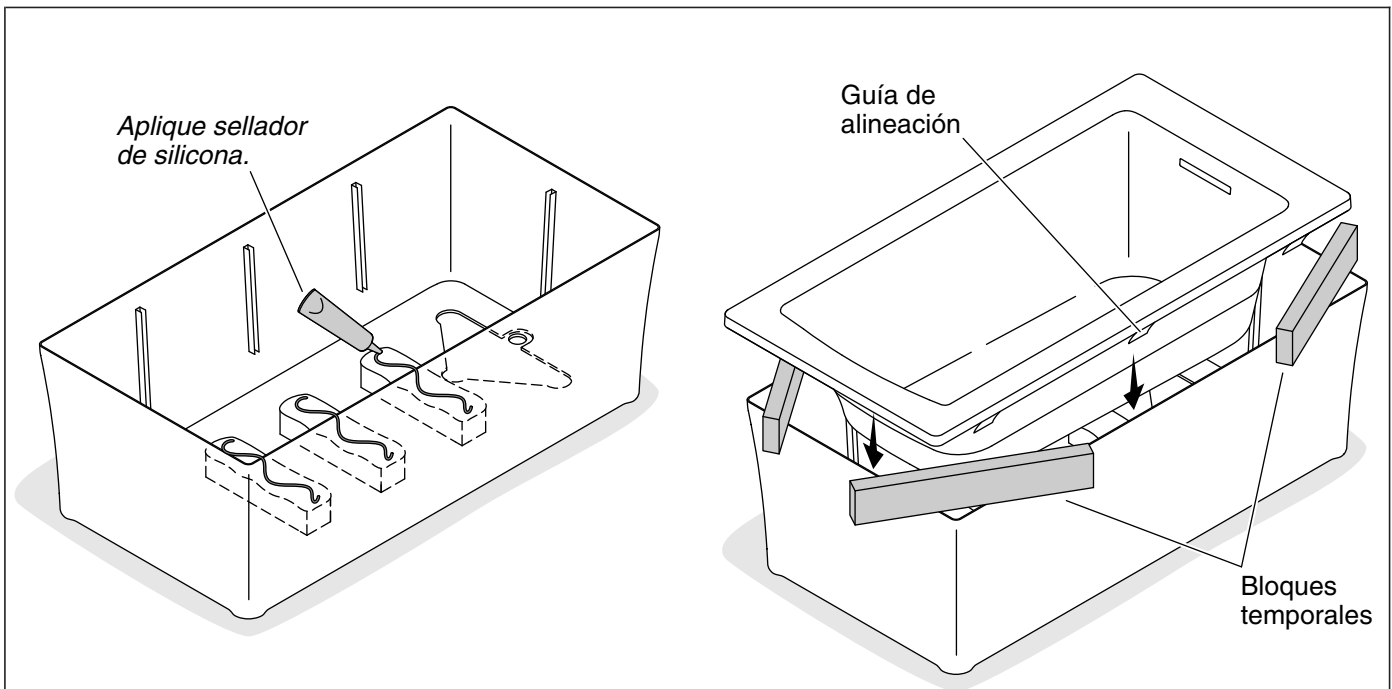


## 6. Prepare los cables

**¡IMPORTANTE!** Los cables que conectarán el amplificador de control a los transductores de la bañera, al control de cromoterapia (si está equipada) y a la interface del usuario tienen una longitud de 25' (7,6 m) cada uno. Planifique la posición del amplificador de control de manera que estos cables, cuando se tiendan y se conecten, alcancen fácilmente sin que queden tensos.

**NOTA:** El control de la superficie de calefacción está montado en la tarjeta en el extremo de la bañera.

- Conecte el extremo Ethernet grande del cable de la interface del usuario a uno de los dos puertos en el control de la superficie de calefacción.
- Conecte el cable de interconexión (ambos extremos son Ethernet) para el amplificador al puerto abierto en el control de la superficie de calefacción.
- Con cuidado corte el sujetacables que fija los cables en espiral de los transductores al lado posterior de la bañera.
- Ate juntos todos los cables eléctricos para facilitar su tendido a través de la carcasa.

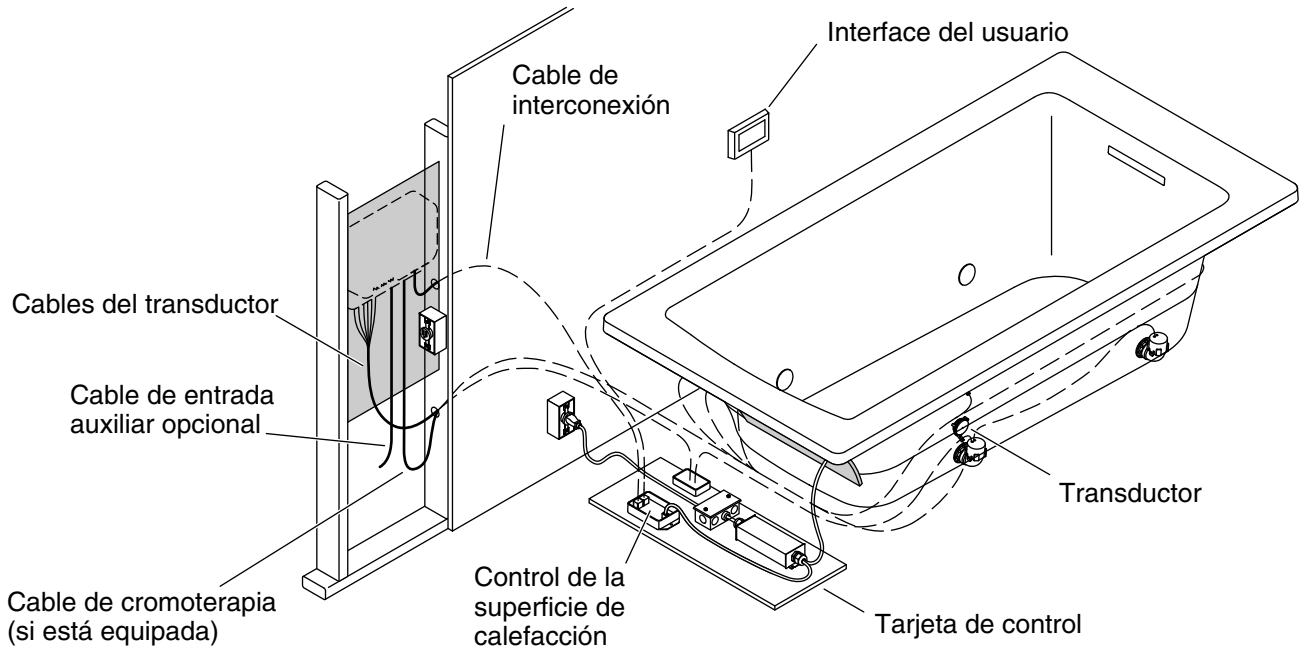


## 7. Instale la bañera

- Aplique una buena cantidad de sellador de silicona a los bloques de soporte en la base de la carcasa.
- Aplique sellador a ambos lados de los empaques en el montaje del rebosadero y del desagüe.

**NOTA:** Para que haya acceso para fijar las conexiones de la grifería, coloque temporalmente bloques espaciadores en las esquinas entre la carcasa y el reborde de la bañera. Coloque los bloques de manera que se evite dañar las guías de alineación que están bajo el reborde de la bañera.

- Obtenga ayuda para levantar con cuidado la bañera a su lugar en la carcasa y sobre los bloques espaciadores.
- Fije todas las conexiones de la grifería y demás equipamiento.
- Tienda los cables atados a través del orificio en el fondo de la carcasa.
- Con cuidado retire los bloques y asegúrese de que los cables no queden pellizcados bajo el reborde de la bañera. Asegúrese de que el reborde de la bañera encaje con la parte superior de la carcasa en todos los lados.
- Instale la brida del desagüe la cubierta del rebosadero de acuerdo a las instrucciones del desagüe.
- Cierre el desagüe de la bañera. Llene la bañera hasta el rebosadero, y verifique que no haya fugas.
- Si lo desea, aplique un hilo continuo y delgado de sellador de silicona transparente o del mismo color que la bañera en la unión entre la bañera y el piso acabado.

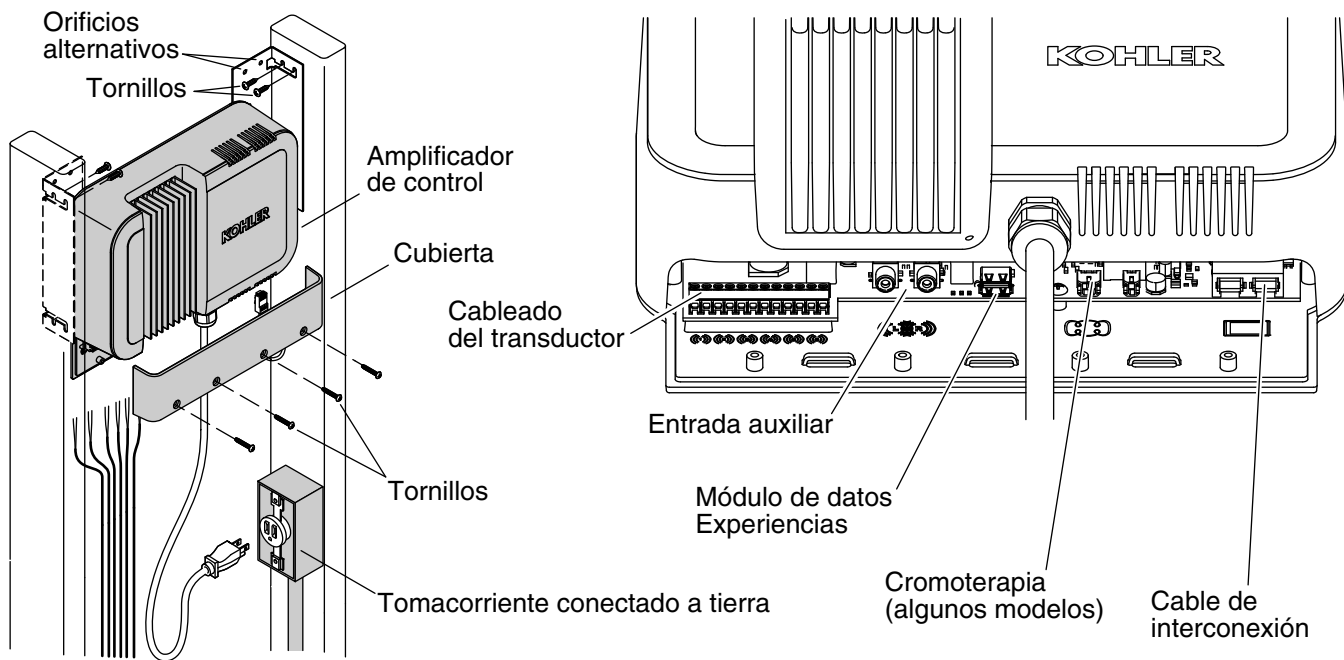


## 8. Conecte los cables

- Tienda los cables atados de los transductores a la ubicación del amplificador de control. Taladre orificios de 1" (52 mm) donde sea necesario.
- Si está equipada la cromoterapia, tienda el cable de cromoterapia a la ubicación planeada del amplificador. Siga la misma ruta que la de los cables de los transductores.
- Tienda el cable de interconexión a la ubicación del amplificador de control. Incluya un lazo de goteo.
- Tienda el cable de la interface del usuario a la ubicación planeada de la interface del usuario. Incluya un lazo de goteo.

**NOTA:** Se puede usar una conexión de cable auxiliar para conectar dispositivos de Bluetooth® y otros dispositivos de audio de pilas para que los usuarios puedan reproducir su propia música con la bañera vibracústica.

- Si se usa, tienda un cable de entrada auxiliar (no provisto) a la ubicación del amplificador de control.



## 9. Instale el amplificador de control



**ADVERTENCIA: Riesgo de sacudidas eléctricas.** Conecte el amplificador de control a un tomacorriente conectado a tierra apropiadamente, protegido por un interruptor de circuito con pérdida a tierra (GFCI) o dispositivo de corriente residual (RCD). No quite la clavija de conexión a tierra del enchufe ni utilice un adaptador de conexión a tierra.

**¡IMPORTANTE!** Mantenga los materiales de aislamiento alejados del amplificador de control. Provea un espacio de aire sin obstrucciones alrededor del amplificador de control para permitir el enfriamiento.

**NOTA: NO** retire los soportes de montaje del amplificador de control.

- Coloque el amplificador al ras o empotrado a partir del frente de los postes de madera.
- Utilice los tornillos para madera provistos para fijar el amplificador de control a la estructura de madera. Utilice los anclajes provistos si va a fijar a un material de pared que no sea madera.

**NOTA:** Para que las conexiones de cable sean más accesibles, fije provisionalmente el amplificador de control con un tornillo de cada lado para permitir que el amplificador se incline hacia delante. Una vez hechas las conexiones de cables, fije el amplificador de control con los tornillos restantes.

- Retire la tapa del amplificador de control retirando los cuatro tornillos. Guarde para volver a instalar.

**NOTA:** Los terminales del transductor y los cables están numerados para identificación de las conexiones correctas. Cuando se requiera, el amplificador de control se puede retirar para facilitar el proceso de conexión de cables.

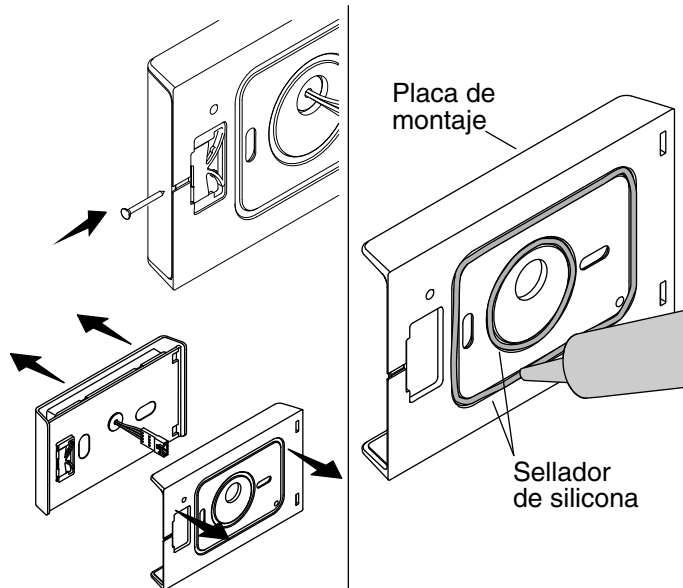
- Fije **con seguridad** los cables de los transductores a los terminales de los transductores. Los cables blancos con negro son los conductores positivos (+).
- Si equipada, conecte el conector de cromoterapia al terminal de cromoterapia.
- Conecte el cable de interconexión desde la caja de control al amplificador.
- Si equipada, conecte los conectores RCA de entrada auxiliar opcional a los terminales de entrada auxiliar.
- Vuelva a instalar la tapa al amplificador de control con los cuatro tornillos.



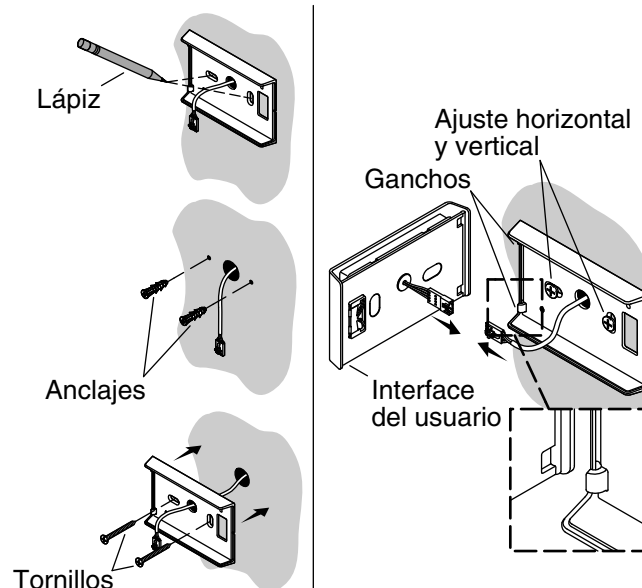
### **Instale el amplificador de control (cont.)**

- Enchufe el amplificador de control al tomacorriente.
- Enchufe el cable de la caja de empalmes al tomacorriente.

### Vista posterior



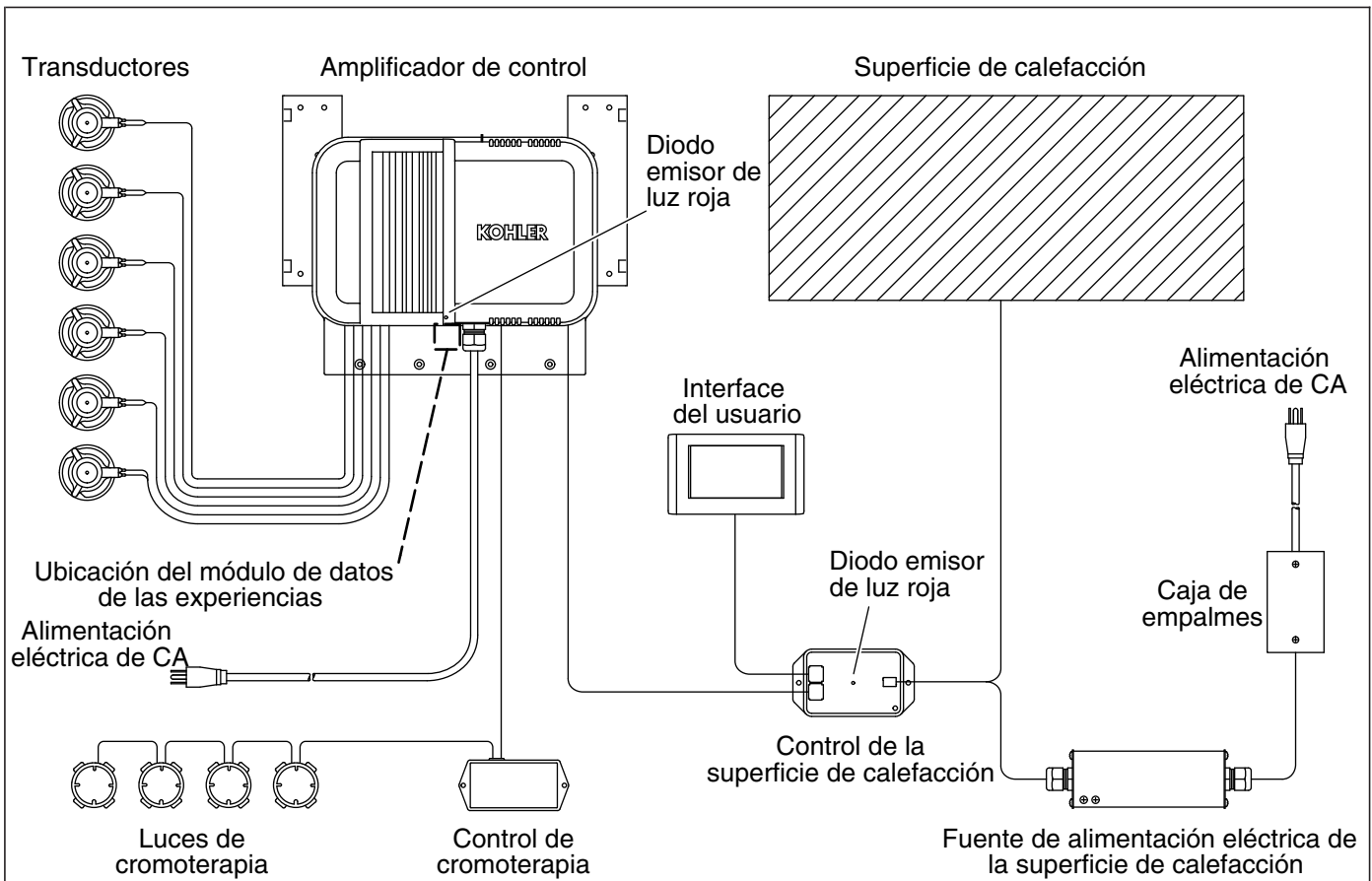
### Vista frontal



## 10. Instale la interface

**¡IMPORTANTE!** No permita que el cable pasado a través del orificio de la pared se caiga dentro de la pared.

- Empuje un clavo delgado en la ranura del lado posterior de la interface del usuario para separar la interface de la placa de montaje.
- Coloque la placa de montaje sobre el cable y contra la pared acabada, de manera que los ganchos estén a la izquierda.
- Nivele la placa de montaje y marque la ubicación de los orificios para tornillos en la pared.
- Retire la placa de montaje y taladre orificios de 1/4" en las ubicaciones marcadas.
- Inserte los anclajes de pared provistos en los orificios.
- Aplique un hilo continuo de sellador de silicona en las dos ranuras del lado posterior de la placa de montaje.
- Coloque la placa de montaje sobre el cable con los ganchos a la izquierda y fije a la pared utilizando los dos tornillos provistos.
- Verifique que esté nivelada. Si es necesario, afloje los tornillos y ajuste la placa de montaje.
- Conecte el cable a la interface del usuario.
- Enganche el borde de la interface del usuario con los dos ganchos de la placa de montaje, luego gire la interface del usuario contra la placa de montaje hasta que encajen juntos.
- Consulte la Guía del usuario provista con la interface para configurar, programar y verificar el funcionamiento correcto del producto.



## 11. Componentes

### Resolución de problemas

**AVISO:** El propósito de esta sección es solo ayuda general. Todos los problemas eléctricos deben ser resueltos por un representante de servicio autorizado de Kohler Co. o un electricista calificado. Para obtener el servicio de garantía, llame 1-800-4KOHLER desde los EE.UU. y Canadá, o al 001-800-456-4537 desde México.

**NOTA:** El número de modelo del producto está impreso en una etiqueta en el lado del soplador de la bañera.

**NOTA:** Para consultar información sobre piezas de repuesto, visite la página de su producto en [www.kohler.com/serviceparts](http://www.kohler.com/serviceparts).

#### Tabla para resolver problemas

Síntoma	Causa probable	Acción recomendada
1. No hay sonido; ninguna experiencia funciona.	A. No hay corriente eléctrica al amplificador de control.	A. Restablezca el interruptor de circuito al amplificador de control, luego verifique el suministro de energía eléctrica y las conexiones.
	B. Se debe restablecer el amplificador de control.	B. Si el LED rojo en el amplificador de control no está parpadeando, desenchufe el amplificador de control durante 30 segundos, luego enchúfelo y vuelva a iniciar.
	C. La conexión del módulo de datos de experiencias está suelta o dañada.	C. Revise que la conexión del módulo de datos no esté suelta ni dañada. Apriete las conexiones o reemplace el módulo según sea necesario.

## Resolución de problemas (cont.)

### Tabla para resolver problemas

Síntoma	Causa probable	Acción recomendada
	D. No se ha seleccionado una experiencia en la interface del usuario.	D. Seleccione una experiencia.
	E. La intensidad vibracústica está silenciada en la interface del usuario.	E. Toque el icono [Silenciar] en la interface del usuario para apagar la configuración de silenciar.
	F. Las conexiones de los cables de la interface del usuario están sueltas o dañadas.	F. Revise los cables entre la interface del usuario, el control de la superficie de calefacción y el amplificador de control. Apriete las conexiones o cambie los cables según sea necesario.
	G. El amplificador de control o el control de la superficie de calefacción no funciona.	G. Si el LED rojo en el amplificador de control no parpadea después de reiniciar, revise el amplificador de control y/o el control de la superficie de calefacción y reemplace si es necesario.
	H. La interface del usuario no funciona.	H. Revise la interface del usuario. Reemplace según sea necesario.
2. La música se distorsiona (resonancia no deseable) cuando las funciones vibracústicas están activadas.	A. La intensidad está ajustada muy alto en la interface del usuario.	A. Reduzca el valor de intensidad en la interface del usuario.
	B. Los transductores en la superficie posterior de la bañera están en contacto directo con la estructura de postes de madera, con las viguetas o con otros materiales.	B. Retire o cambie de posición los materiales que estén en contacto directo con los transductores.
	C. Uno o más transductores en la superficie posterior de la bañera están sueltos.	C. Gire los transductores que estén sueltos hacia la derecha con los dedos hasta que queden apretados. <b>No apriete mucho.</b>
	D. La bañera está en contacto directo con la estructura de madera, con las viguetas o con otros materiales.	D. Identifique el punto de contacto y corríjalo. La bañera no debe hacer contacto con la estructura de madera o con los materiales de soporte.
3. La interface del usuario no se ilumina.	A. No hay corriente eléctrica al amplificador de control.	A. Restablezca el interruptor de circuito al amplificador de control, luego verifique el suministro de energía eléctrica y las conexiones.
	B. Se debe restablecer el amplificador de control.	B. Si el LED rojo en el amplificador de control no está parpadeando, desenchufe el amplificador de control durante 30 segundos, luego enchúfelo y vuelva a iniciar.
	C. Las conexiones de los cables de la interface del usuario están sueltas o dañadas.	C. Revise los cables entre la interface del usuario, el control de la superficie de calefacción y el amplificador de control. Apriete las conexiones o cambie los cables según sea necesario.

## Resolución de problemas (cont.)

### Tabla para resolver problemas

Síntoma	Causa probable	Acción recomendada
	D. El amplificador de control o el control de la superficie de calefacción no funciona.	D. Si el LED rojo en el amplificador de control no parpadea después de reiniciar, revise el amplificador de control y/o el control de la superficie de calefacción y reemplace si es necesario.
	E. La interface del usuario no funciona.	E. Revise la interface del usuario. Reemplace según sea necesario.
4. La interface del usuario se ilumina pero no funciona.	A. Se debe restablecer el amplificador de control.	A. Si el LED rojo en el amplificador de control no está parpadeando, desenchufe el amplificador de control durante 30 segundos, luego enchúfelo y vuelva a iniciar.
	B. Las conexiones de los cables de la interface del usuario están sueltas o dañadas.	B. Revise los cables entre la interface del usuario, el control de la superficie de calefacción y el amplificador de control. Apriete las conexiones o cambie los cables según sea necesario.
	C. El amplificador de control o el control de la superficie de calefacción no funciona.	C. Si el LED rojo en el amplificador de control no parpadea después de reiniciar, revise el amplificador de control y/o el control de la superficie de calefacción y reemplace si es necesario.
	D. La interface del usuario no funciona.	D. Revise la interface del usuario. Reemplace según sea necesario.
5. La música auxiliar no funciona.	A. No hay corriente eléctrica al amplificador de control.	A. Restablezca el interruptor de circuito al amplificador de control, luego verifique el suministro de energía eléctrica y las conexiones.
	B. Se debe restablecer el amplificador de control.	B. Si el LED rojo en el amplificador de control no está parpadeando, desenchufe el amplificador de control durante 30 segundos, luego enchúfelo y vuelva a iniciar.
	C. Las conexiones de cable de la interface del usuario o de la entrada auxiliar están sueltas o dañadas.	C. Revise los cables entre la interface del usuario, el control de la superficie de calefacción y el amplificador de control. Apriete las conexiones o cambie los cables según sea necesario.
	D. La opción de fuente de música auxiliar no está seleccionada en la interface del usuario.	D. Seleccione la opción de música auxiliar en la interface del usuario.
	E. El sonido vibracústico está silenciado en la interface del usuario.	E. Toque el icono [Silenciar] en la interface del usuario para apagar la configuración de silenciar.
	F. La intensidad vibracústica está reducida en la interface del usuario.	F. Aumente la intensidad vibracústica en la interface del usuario.
	G. El amplificador de control o el control de la superficie de calefacción no funciona.	G. Si el LED rojo en el amplificador de control no parpadea después de reiniciar, revise el amplificador de control y/o el control de la superficie de calefacción y reemplace si es necesario.

## Resolución de problemas (cont.)

### Tabla para resolver problemas

Síntoma	Causa probable	Acción recomendada
	H. La interface del usuario no funciona.	H. Revise la interface del usuario. Reemplace según sea necesario.

### Tabla de resolución de problemas de cromoterapia (opcional)

Síntoma	Causa probable	Acción recomendada
1. Las luces de cromoterapia no funcionan.	A. No hay corriente eléctrica al amplificador de control.	A. Restablezca el interruptor de circuito al amplificador de control, luego verifique el suministro de energía eléctrica y las conexiones.
	B. Se debe restablecer el amplificador de control.	B. Si el LED rojo en el amplificador de control no está parpadeando, desenchufe el amplificador de control durante 30 segundos, luego enchúfelo y vuelva a iniciar.
	C. La función de cromoterapia no se ha seleccionado en la interface del usuario.	C. Seleccione la función de cromoterapia en la interface del usuario.
	D. Las conexiones de los cables de cromoterapia o de la interface del usuario están sueltas o dañadas.	D. Revise que las conexiones de los cables no estén sueltas ni dañadas. Apriete o cambie los cables según sea necesario.
	E. El amplificador de control no funciona.	E. Si el LED rojo en el amplificador de control no parpadea después de reiniciar, revise el amplificador de control y cámbielo si es necesario.
	F. La interface del usuario no funciona.	F. Verifique que el cable de la interface del usuario esté bien conectado a la interface del usuario y al terminal del amplificador de control. Si las conexiones están buenas, reemplace la interface del usuario.
	G. El control de cromoterapia no funciona.	G. Cambie el control de cromoterapia.
2. Las luces de cromoterapia no cambian de color en el ciclo de todos los colores.	A. Se debe restablecer el amplificador de control.	A. Si el LED rojo en el amplificador de control no está parpadeando, desenchufe el amplificador de control durante 30 segundos, luego enchúfelo y vuelva a iniciar.
	B. Las conexiones de los cables de cromoterapia o de la interface del usuario están sueltas o dañadas.	B. Revise que las conexiones de los cables no estén sueltas ni dañadas. Apriete o cambie los cables según sea necesario.
	C. El amplificador de control no funciona.	C. Si el LED rojo en el amplificador de control no parpadea después de reiniciar, revise el amplificador de control y cámbielo si es necesario.
	D. La interface del usuario no funciona.	D. Pase por todas las funciones de las luces de cromoterapia. Si las luces no pasan por el ciclo de todos los colores y el icono azul de la interface del usuario no se ilumina, reemplace la interface del usuario.

## Resolución de problemas (cont.)

### Tabla de resolución de problemas de cromoterapia (opcional)

Síntoma	Causa probable	Acción recomendada
	E. Si ninguna de las acciones recomendadas corrige el problema, comuníquese con Kohler Co.	E. Comuníquese con el Centro de Atención al Cliente mediante la información de contacto en la última página.

### Tabla para resolver problemas de la superficie de calefacción

Síntomas	Causa probable	Acción recomendada
1. La superficie de calefacción no se enciende.	A. La fuente de alimentación no recibe alimentación eléctrica.	A. Establezca/restablezca el interruptor GFCI o RCD; revise el cableado y las conexiones de la fuente de alimentación.
	B. El control de la superficie de calefacción se tiene que restablecer (reset).	B. Si el LED rojo en el control de la superficie de calefacción no está parpadeando, desenchufe el control durante 30 segundos, luego enchúfelo y vuelva a iniciar.
	C. Las conexiones de los cables de la interface del usuario están sueltas o dañadas.	C. Revise los cables entre la interface del usuario, el control de la superficie de calefacción y el amplificador de control. Apriete las conexiones o cambie los cables según sea necesario.
	D. El control de la superficie de calefacción no funciona.	D. Revise el control de la superficie de calefacción. Reemplace según sea necesario.
	E. La fuente de alimentación eléctrica no funciona.	E. Revise la fuente de alimentación eléctrica. Reemplace según sea necesario.
	F. La interface del usuario no funciona.	F. Revise la interface del usuario. Reemplace según sea necesario.
2. La bañera está encendida, pero el calor es muy bajo o no calienta.	A. El cable del calentador está suelto o dañado.	A. Revise los cables entre la interface del usuario, el control de la superficie de calefacción y el amplificador de control. Apriete las conexiones o cambie los cables según sea necesario.
	B. El calentador/aislamiento está suelto en la bañera.	B. Fije el calentador/aislamiento a la bañera.
	C. El indicador de calor está en calor bajo.	C. Oprima el icono más [+] para aumentar la temperatura.
	D. El calentador no funciona.	D. Cambie el calentador.
	E. El sensor de temperatura no funciona.	E. Cambie el calentador.

USA/Canada: 1-800-4KOHLER

México: 001-800-456-4537

[kohler.com](http://kohler.com)

THE BOLD LOOK  
OF **KOHLER**®

©2015 Kohler Co.

1237790-2-C