

Prolific® | K-5540

33" undermount single-bowl workstation kitchen sink

Features

- Single bowl
- 11" depth provides generous workspace
- Includes bamboo cutting board, two multipurpose grated racks, colander, and wash bin
- Three graduated ledges in basin allow you to place accessories at your preferred height
- Accessories stack and slide on ledges for a custom arrangement
- Beveled cone-shape bowl slopes into drain, easily disposing debris
- Medium size cutting board (10"x16") included with sink - covers 1/3 of sink
- 36" (914 mm) minimum base cabinet width
- Also available: Large size cutting board 21"x16" – covers 2/3 sink
- Includes installation hardware



Sustainability



Available Colors/Finishes

Color tiles intended for reference only.

NA Stainless Steel



Codes/Standards

ASME A112.19.3/CSA B45.4

Technical Information

All product dimensions are nominal.

Drain Hole Diameter:	3-3/4" (94 mm)
Minimum Base Cabinet Width:	36" (914 mm)
Basin Configuration:	Single Bowl
Basin Length:	31-1/2" (800 mm)
Basin Width:	16-1/2" (419 mm)
Basin Depth:	10" (254 mm)

Material

- Premium 18-gauge stainless steel
-

Recommended Products/Accessories

K-23729 Stainless steel cleaner

K-23726 Drain treatment

K-11352 Disposal flange with stopper

K-8801 Sink drain and strainer with tailpiece

Warranty

See website for detailed warranty information.

KOHLER® Stainless Steel Sinks Lifetime Limited Warranty

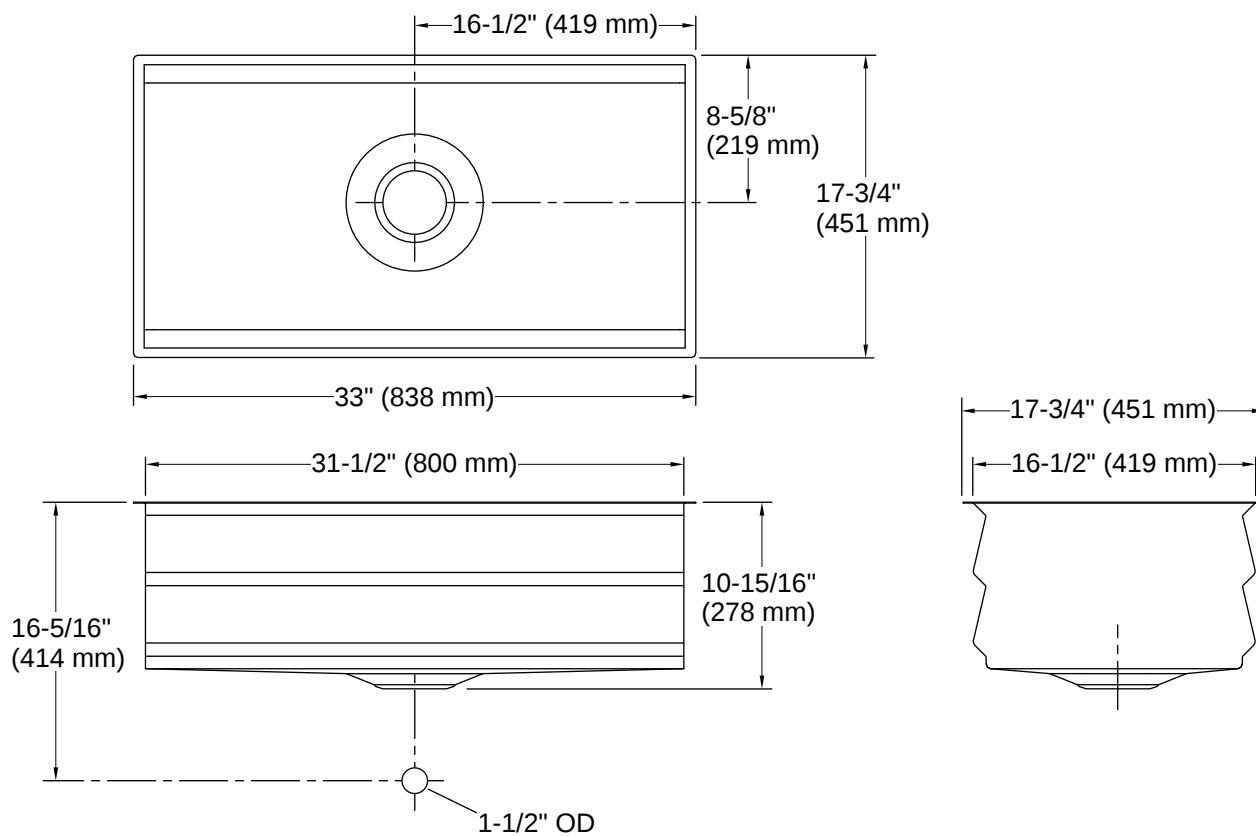


1-800-4KOHLER (1-800-456-4537)

Kohler Co. reserves the right to make revisions without notice to product specifications.

For the most current specification sheet, go to www.kohler.com USA or www.kohler.ca Canada.

4-15-2026 4:41 - US-CA



Installation

- Undermount

Installation Notes

Install this product according to the installation instructions.

