

Features

- Digital interface with easy to read configurable color touch screen.
- Can control shower outlets, audio output, chromotherapy, steam and lighting, allowing user to control their experience from a single interface .
- Can control up to two digital valves to provide two different shower temperatures.
- Six user definable presets provide easy to use selection of saved favorite settings.
- Integrated pre-programmed temperature and hydrotherapy programs for spa like showering experiences.
- System warm up & pause feature.
- Duration/Countdown Timer.
- Up to three interfaces can be connected to each system for alternate locations and applications.
- Easy clean water resistant casing.
- Easy installation and system set up using laptop/tablet to access integrated web pages .

Material

- Premium material construction for durability and reliability.

Installation

- Surface mount installation.

Required Accessories

K-99694 Interface Mounting Bracket

K-99695 System Controller Module

Loose component/s: 25 ft(7.6M) RJ45 cable and coupler.



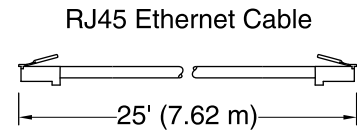
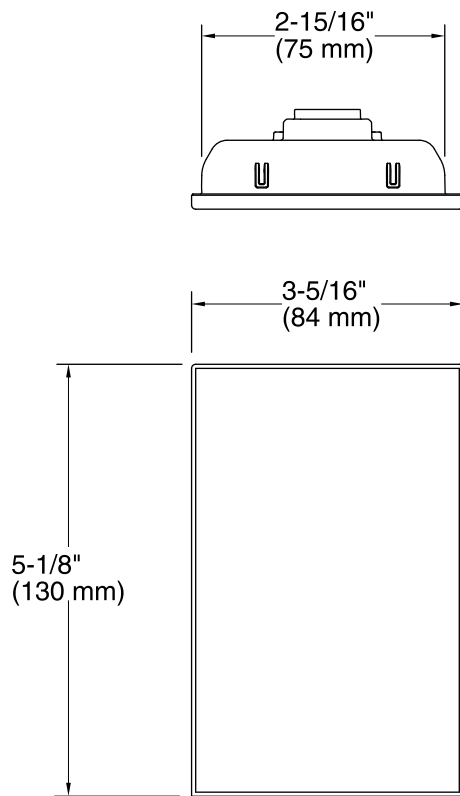
Codes/Standards

UL 1951

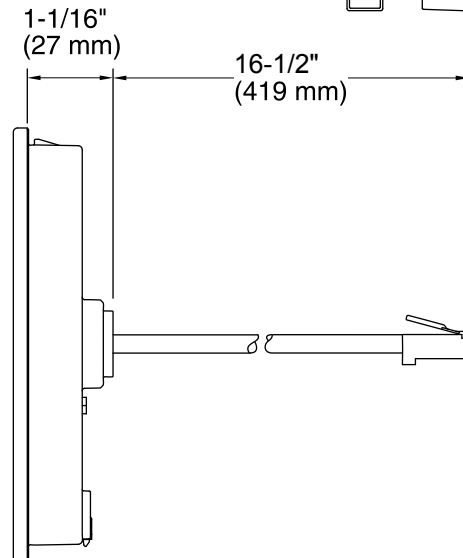
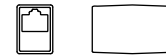
CSA C22.2 No. 14

CSA C22.2 No. 68

See website for detailed warranty information.



RJ45 Coupler



Technical Information

All product dimensions are nominal.

Notes

Install this product according to the installation guide.

CAUTION: Risk of product damage. The digital interface is rated to operate in temperatures up to 140°F (60°C). Do not install where the temperature may exceed 140°F (60°C).

CAUTION: Risk of product damage. Do not install the digital interface above the steamhead of a steam unit.