



### Features

- 120 airjets release thousands of bubbles that surround, support, and massage the body.
- Variable-speed blower lets you adjust massage intensity to 18 levels.
- Comfort Depth® design offers a convenient 19-inch step-over height while retaining the same depth as a standard 21-inch bath.
- Molded lumbar support offers extra comfort while bathing.
- Slotted overflow allows for deep soaking.
- Textured bottom surface
- Reversible drain.
- Coordinates with other products in the Archer collection.

### Material

- Acrylic

### Hydrotherapy

- BubbleMassage

### Installation

- Drop-in

### Additional Hydrotherapy Options

- Soaking Bath - K-1948-0
- Soaking Bath + Bask heated surface - K-1948-W1
- BubbleMassage air bath - K-1949-G
- BubbleMassage air bath + Bask heated surface - K-1949-GW
- VibrAcoustic - K-1949-VB
- VibrAcoustic + Bask heated surface - K-1949-VBW
- Whirlpool - K-1949-0
- Whirlpool + heater - K-1949-H
- Whirlpool + Bask heated surface - K-1949-W1
- Whirlpool + BubbleMassage air bath - K-1949-XHG

### Required Accessories

K-7271 Brass Slotted Overflow Bath Drain

or

K-7272 PVC Slotted Overflow Bath Drain

### Recommended Accessories

K-1446 Remote Installation Kit

K-24916 Wireless Music Kit



ADA

### Codes/Standards

ASME A112.19.7/CSA B45.10

CSA B45.5/IAPMO Z124

UL 1795

Greenguard UL 2818 - Gold

ADA

ICC/ANSI A117.1

### KOHLER® Plastic Baths and Receptors Lifetime Limited Warranty

### KOHLER® Hydrotherapy Components Five-Year Limited Warranty

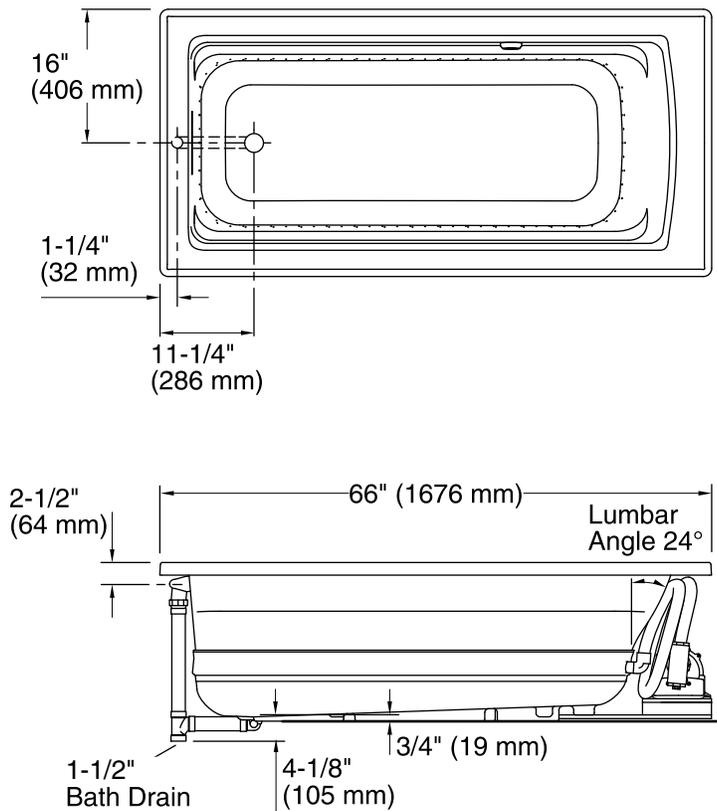
See website for detailed warranty information.

### Available Color/Finishes

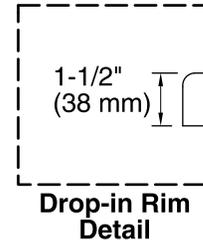
*Color tiles intended for reference only.*

#### Color Code Description

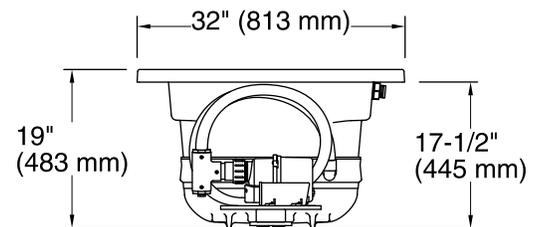
|  |    |           |
|--|----|-----------|
|  | 0  | White     |
|  | 96 | Biscuit   |
|  | 47 | Almond    |
|  | NY | Dune      |
|  | 95 | Ice™ Grey |
|  | G9 | Sandbar   |
|  | K4 | Cashmere  |



No change in measurements if connected with drain illustrated. (K-7271 or K-7272)



Blower Motor Access  
 20" (508 mm) W x 15" (381 mm) H



### Required Electrical Service

One dedicated circuit required, protected with Class A Ground-Fault Circuit-Interrupter (GFCI) or Residual Current Device (RCD).

Blower: 120 V, 15 A, 60 Hz

### Technical Information

All product dimensions are nominal.

|                              |   |
|------------------------------|---|
| Installation:                | Drop-in   |
| Drain location:              | End   |
| Basin area, bottom:          | 50-3/8" x 19-5/8" (1280 mm x 498 mm)              |
| Basin area, top:             | 57-5/16" x 24-1/16" (1456 mm x 611 mm)            |
| Weight:                      | 106 lbs (48.1 kg)                                 |
| Minimum floor load:          | 47 lbs/ft <sup>2</sup> (229.5 kg/m <sup>2</sup> ) |
| Water depth:                 | 15-5/16" (389 mm)                                 |
| Water capacity:              | 66 gal (249.8 L)                                  |
| Cutout:                      | Drop-in, 64-1/2" x 30-1/2" (1638 mm x 775 mm)     |
| Electrical component rating: | Blower: 120 V, 10 A, 60 Hz                        |
| Minimum flat for door:       | 2-3/16" (55 mm)                                   |

### Notes

Measure your actual product for rough-in details. Install this product according to the installation instructions.

The hot water supply should be 70% of the capacity of the bath or greater. Installations will vary.

This product is designed for drop-in installation only. It is not suited for use in a three-wall alcove with an overhead shower.

Remote blower installation kit K-1446 is available for relocating the blower. Provide access for servicing the blower.

Do not relocate or alter the PVC tee or coiled flexible tubing connected to the blower. Follow the blower relocation instructions exactly.

ADA compliant when installed to the specific requirements of these regulations.