



8450FM/8455FM Soft-Close Drawer Slides

MEDIUM-DUTY

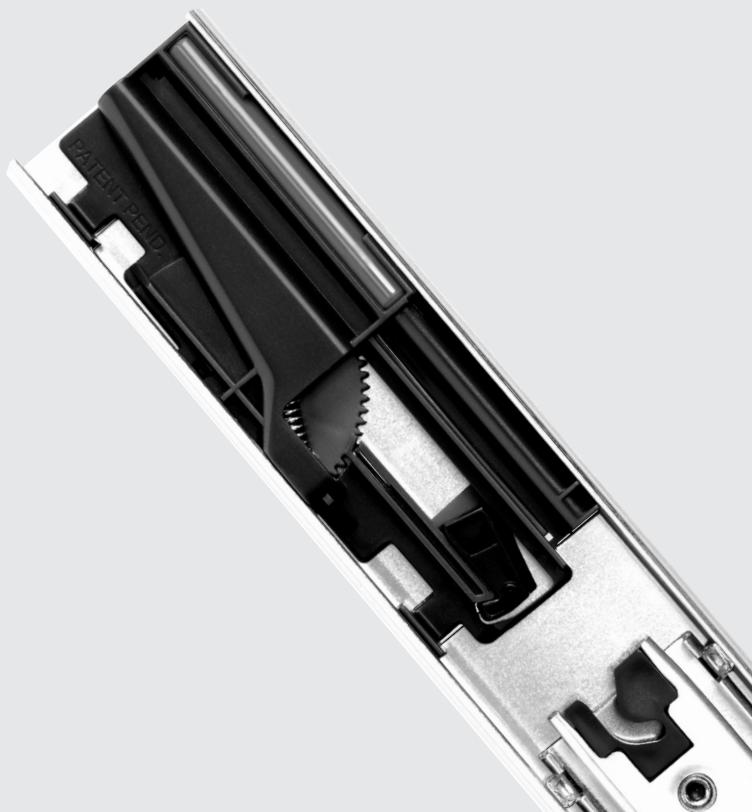
- 100 lb. class (8450FM)
90 lb. class (8455FM)
- NEW! FM Technology

NEW! Force Management™ Technology

New Force Management™ (FM) from Knap & Vogt is the next generation of soft-close drawer slide technology. FM technology establishes a new standard in soft-close functionality by delivering superior performance in dampening action, effortless drawer opening and smooth operation.

8450FM/8455FM slides include a patent-pending Force Management™ module that utilizes an innovative rack and gear system. This clever system places mechanical forces where they are needed to significantly reduce the effort to open a drawer and to deliver the effective drawer closure that customers expect.

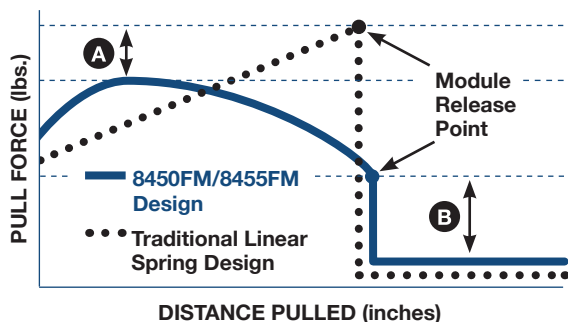
All this is built on the time-tested KV 8400 slide platform, making 8450FM/8455FM slides the smoothest and easiest soft-close drawer slides to install and operate.



PRODUCT ATTRIBUTES

- Innovative soft-close module with Force Management™ technology
- 1/2" Side clearance, no set-up change from KV 8400 or KV 8450
- 8450FM: Full-Extension 100-Pound class rated
- 8455FM: 1" Overtravel 90-Pound class rated
- 48 stocked sku's available

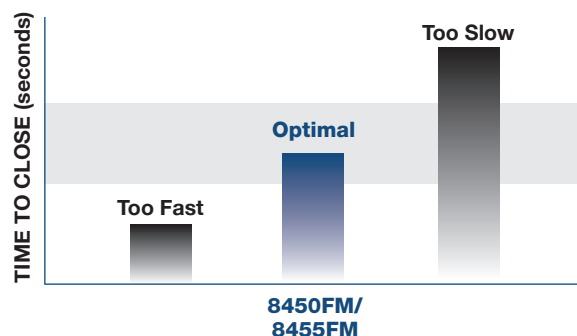
Soft-Close Module Force Curve



8450FM/8455FM soft-close slides have:

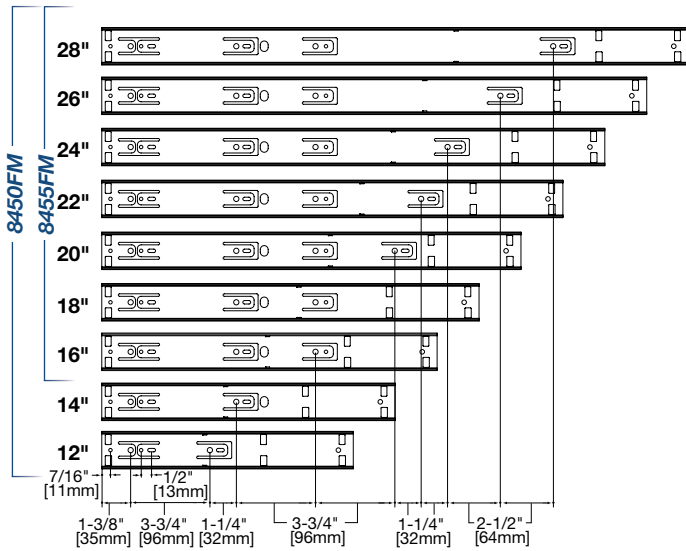
- A** A lower peak pull force – making them the easiest soft-close slides to open.
- B** Significantly less drop off force at the module release point – eliminating the "jerkiness" of traditional linear spring designs.

Soft-Close Dampening Effect

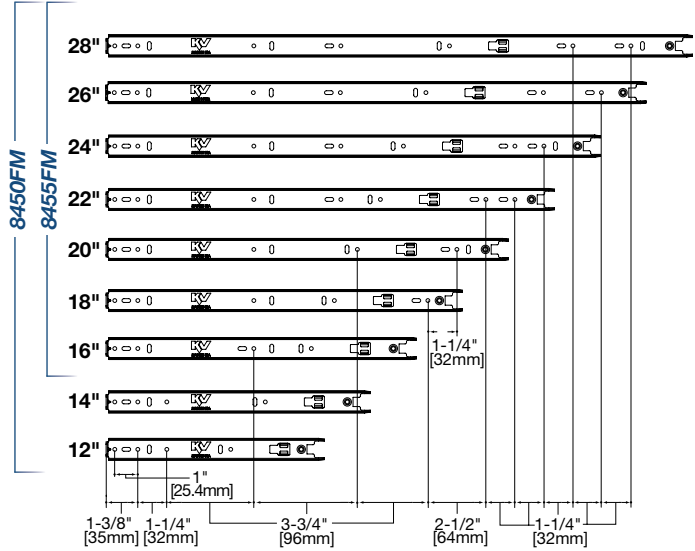


- 8450FM/8455FM Soft-Close slides close at the optimal speed due to the perfect balance of dampening and spring forces.
- Slides that close too fast have little to no dampening effect.
- Slides that close too slow have poor closure performance.

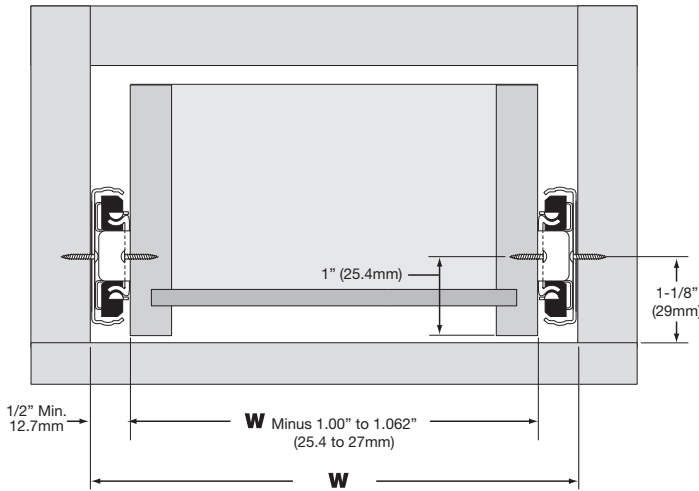
CABINET MEMBER DIMENSIONS



DRAWER MEMBER DIMENSIONS

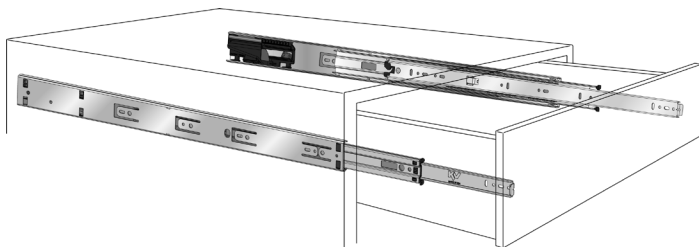


INSTALLATION



NOTE: 8450FM/8455FM track members are not interchangeable with previous version 8450/8455 track members.

APPLICATION



Designed for applications in the 100-Pound/90-Pound class with drawer box widths up to 24". Consult KV for verification testing service of your specific application.

Like all KV drawer slides, 8450FM/8455FM Drawer Slides are designed to meet or exceed ANSI performance standards as established by KCMA, BHMA, and BIFMA and are backed by a Limited Lifetime Warranty. Knap and Vogt reserves the right to change product specifications at any time without notice and without incurring responsibility for existing units.

SPECIFICATIONS

- Features**
- Soft-Close module with Force Management™ technology
 - Telescopic action on precision steel ball bearings
 - 32mm hole pattern with direct access mounting and adjustment
 - Lever disconnect for easy drawer removal
 - Ball retainer latch and ramps for easy drawer insertion
 - Drawer adjustment without removal
 - Metal ball retainer holds three bearing per inch of race for smooth and quiet motion
 - Polymer stop cushions, non-handed design
- Clearance** 1/2", plus 1/32" minus 0" each side
- Height** 1-13/16"
- Load Rating** 8450FM: 100-Pound Class
8455FM: 90-Pound Class
- Mounting** Side mounting for frame and frameless construction
- Max. Width** 24" (drawer)

8450FM Full Extension* Soft-Close Stocking Sku's

Size	Bulk Pack**		Poly Pack***
	Anochrome (ANO)	Ebony Black (EB)	Anochrome (ANO)
12"	8450FMB 12	-	8450FMP 12
14"	8450FMB 14	-	8450FMP 14
16"	8450FMB 16	8450FMB EB 16	8450FMP 16
18"	8450FMB 18	8450FMB EB 18	8450FMP 18
20"	8450FMB 20	8450FMB EB 20	8450FMP 20
22"	8450FMB 22	8450FMB EB 22	8450FMP 22
24"	8450FMB 24	-	8450FMP 24
26"	8450FMB 26	-	8450FMP 26
28"	8450FMB 28	-	8450FMP 28

*Note: 12" Slide extension is 10.2"

8455FM 1" Overtravel Soft-Close Stocking Sku's

Size	Bulk Pack**		Poly Pack***
	Anochrome (ANO)	Ebony Black (EB)	Anochrome (ANO)
16"	8455FMB 16	8455FMB EB 16	8455FMP 16
18"	8455FMB 18	8455FMB EB 18	8455FMP 18
20"	8455FMB 20	8455FMB EB 20	8455FMP 20
22"	8455FMB 22	8455FMB EB 22	8455FMP 22
24"	8455FMB 24	-	8455FMP 24
26"	8455FMB 26	-	8455FMP 26
28"	8455FMB 28	-	8455FMP 28

** Bulk Pack: 10 sets/carton, no screws, one set of instructions.

*** Poly Pack: One set with screws and instructions in poly bag. 10 sets/carton.

- Accessories** **8403 Rear Mounting Bracket (Zinc).** Non-handed snap-on design, 2-3/4" maximum adjustment.
- 8404 Front Face Frame Bracket (Black or Zinc).** Non-handed snap-on design; fits all KV 8400 series products.