

Medium-Duty

100 lb. Load Class

1/2" Side Clearance

Max. Drawer Width: 24"



TT100 Full Extension Ball-Bearing Drawer Slide

Designed to meet the needs of today's value-conscious professional, the KV Tru-Trac Slide offers performance and economy backed by proven Knap & Vogt quality, reliability and service. The KV Tru-Trac TT100 is the smart choice in an import slide built for economy: a medium-duty, ball-bearing slide, meeting industry test standards with smooth ball-bearing operation and no-rebound.

Applications

- Wood residential and commercial furniture
- Architectural, laboratory and school casework
- Store fixtures and displays
- Storage drawers

Specifications

Model: TT100 Full Extension Ball-Bearing Drawer Slide

Mounting: Side mounting for face framed and frameless construction

Disconnect: Lever

Hole Pattern: 32mm and Traditional

Type: Ball-Bearing

Travel: Full Extension

Finish: Zinc (ZC)

Length: 250mm, 300mm, 350mm, 400mm, 450mm,
500mm, 550mm, 600mm, 650mm, 700mm

Clearance: .50" + .03"-0" on each side

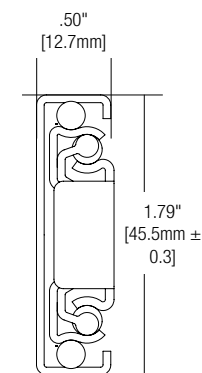
Height: 1.79" [45mm]

Packaging: Bulk Pack - 10 sets per carton

Action: Telescopic movement on ball-bearings

Slide Configuration: Unhanded

Profile



Clearance

1/2" + 1/32"-0"

.50" + .03"- 0"

12.7mm + .8mm - 0mm

Rating

Load: 100 lb.

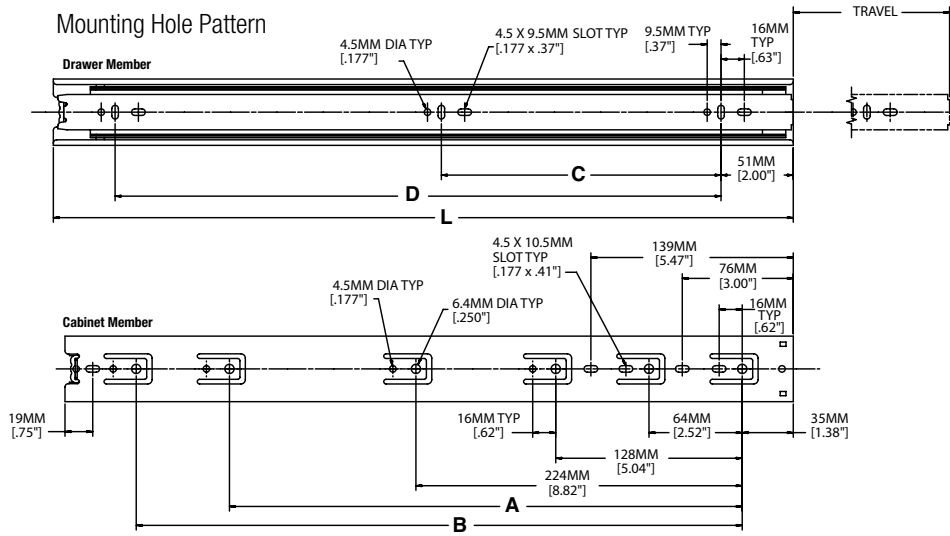
Max. Recommended Drawer Width: 24"

As with all Knap & Vogt drawer slides, the TT100 is designed to meet KCMA and BHMA test standards

Warranty

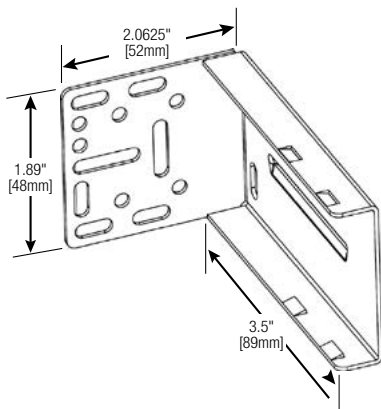
One Year Limited Warranty

Charted Information



SKU Number	Slide Size mm/inch	Length mm/inch	Sets per Pallet*	Travel mm/inch	A mm/inch	B mm/inch	C mm/inch	D mm/inch
TT100B 250	250mm [10"]	250mm [9.84"]	960	250mm [9.84"]	—	—	—	—
TT100B 300	300mm [12"]	300mm [11.81"]	850	300mm [11.81"]	224mm [8.82"]	—	—	—
TT100B 350	350mm [14"]	350mm [13.78"]	700	350mm [13.78"]	—	—	128mm [5.04"]	256mm [10.08"]
TT100B 400	400mm [16"]	400mm [15.75"]	560	400mm [15.75"]	288mm [11.34"]	—	160mm [6.30"]	320mm [12.60"]
TT100B 450	450mm [18"]	450mm [17.72"]	550	450mm [17.72"]	352mm [13.86"]	—	160mm [6.30"]	352mm [13.86"]
TT100B 500	500mm [20"]	500mm [19.69"]	440	500mm [19.69"]	352mm [13.86"]	416mm [16.38"]	192mm [7.56"]	416mm [16.38"]
TT100B 550	550mm [22"]	550mm [21.65"]	400	550mm [21.65"]	352mm [13.86"]	416mm [16.38"]	224mm [8.82"]	448mm [17.64"]
TT100B 600	600mm [24"]	600mm [23.62"]	400	600mm [23.62"]	224mm [8.82"]	352mm [13.86"]	480mm [18.90"]	256mm [10.08"]
TT100B 650	650mm [26"]	650mm [25.29"]	400	650mm [25.29"]	224mm [8.82"]	352mm [13.86"]	544mm [21.42"]	288mm [11.34"]
TT100B 700	700mm [28"]	700mm [27.56"]	300	700mm [27.56"]	224mm [8.82"]	352mm [13.86"]	544mm [21.42"]	288mm [11.34"]

*Full container quantities available.



SKU	Carton Quantity
TT401	200 (10 Inner Boxes of 20 Brackets) Pallet Qty: 9,600 each
TT401B	200 (200 Loose Brackets) Pallet Qty: 9,600 each

TT401 Rear Mounting Bracket (sold separately)



KNAPE & VOGT

2700 Oak Industrial Dr. NE
Grand Rapids, MI 49505-6026 USA
1.800.253.1561 | 616.459.3311
Fax: 877.636.3290
www.kv.com

Distributed by Knappe & Vogt Manufacturing Company.

This and other KV literature is available for download at www.kv.com > Resource Library.

Knappe & Vogt reserves the right to change product specifications at any time without notice and without incurring responsibility for existing units.

©2016 Knappe & Vogt. KV Tru-Trac. KV and the KV logo are trademarks of Knappe & Vogt.

OL2159/0816