

## Heavy-Duty

130 lb. Load Class

Slide Width: 2.25"

Slide Height: 1.54"



## 8000 Over Travel Under Mount Pantry Drawer Slide

The 8000 Heavy-Duty Over Travel Pantry Drawer Slide has been designed to easily accommodate pull-out pantries, shelves or storage drawer. Removable rails allow for quick and easy installation.

### Applications

- Kitchen Pull-Out Pantries
- Entertainment/Computer Centers
- Pull-Out Shelves
- Store Fixtures and Displays

### Specifications

**Model:** 8000 Over Travel Under Mount Pantry Drawer Slide

**Mounting:** Bottom/Under Surface

**Disconnect:** Rail

**Hole Pattern:** Traditional

**Face Frame Mounting:** No

**Type:** Ball-Bearing

**Travel:** Over Travel

**Finish:** Anochrome

**Length:** 12", 14", 16", 18", 20", 22", 24", 26", 28"

**Clearance (slide width):** 2.25" [57mm] on each side

**Height:** 1.54" [39mm]

**Packaging:** Poly Pack (8000P): all sizes - 5 pair per carton

**Action:** Telescopic

**Slide Configuration:** Unhanded/Reversible

**Rail:** Unhanded/Reversible

### Rating

**Load:** 130 lbs.

As with all Knap & Vogt drawer slides, the 8000 is designed to meet or exceed ANSI performance standards as established by BIFMA, BHMA and KCMA.

### Hardware

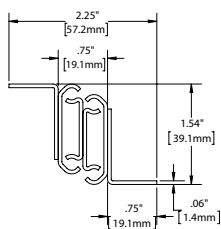
#8 x 5/8" Phillips Pan Head (Slides)

#8 x 3/16" Phillips Pan Head (Rails)

### Warranty

Limited Lifetime Warranty

### Profile



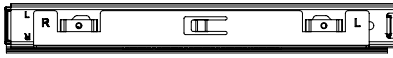
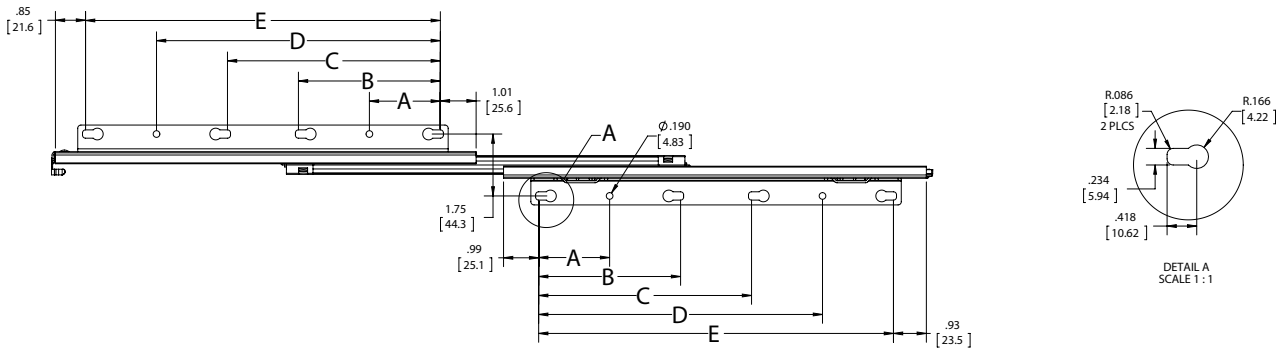
### Clearance (slide width)

2-1/4" [57mm]

2.25" [57mm]

57mm [2.25"]

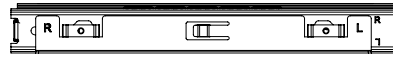
# Charted Information



LH MEMBER  
FRONT VIEW



RH MEMBER  
FRONT VIEW



SKU Number	Slide Size inch/mm	Length inch/mm	Travel inch/mm	A inch/mm	B inch/mm	C inch/mm	D inch/mm	E inch/mm
8000P 12	12.00" [300mm]	12.00" [300mm]	12.83" [325.9mm]	2.00" [50.8mm]	4.00" [101.6mm]	6.00" [152.4mm]	8.00" [203.2mm]	10.00" [254mm]
8000P 14	14.00" [350mm]	14.00" [350mm]	14.83" [376.7mm]	2.00" [50.8mm]	4.00" [101.6mm]	8.00" [203.2mm]	10.00" [254mm]	12.00" [304.8mm]
8000P 16	16.00" [400mm]	16.00" [400mm]	16.83" [427.5mm]	2.00" [50.8mm]	4.00" [101.6mm]	10.00" [254mm]	12.00" [304.8mm]	14.00" [355.6mm]
8000P 18	18.00" [450mm]	18.00" [450mm]	18.83" [478.3mm]	2.00" [50.8mm]	4.00" [101.6mm]	12.00" [304.8mm]	14.00" [355.6mm]	16.00" [406.4mm]
8000P 20	20.00" [500mm]	20.00" [500mm]	20.83" [529.1mm]	3.50" [88.9mm]	7.00" [177.8mm]	11.00" [279.4mm]	14.50" [368.3mm]	18.00" [457.2mm]
8000P 22	22.00" [550mm]	22.00" [550mm]	22.83" [579.9mm]	3.50" [88.9mm]	7.00" [177.8mm]	13.00" [330.2mm]	16.50" [419.1mm]	20.00" [508mm]
8000P 24	24.00" [600mm]	24.00" [600mm]	24.83" [630.7mm]	3.50" [88.9mm]	7.00" [177.8mm]	15.00" [381mm]	18.50" [469.9mm]	22.00" [558.8mm]
8000P 26	26.00" [660.4mm]	26.00" [660.4mm]	26.83" [681.5mm]	3.50" [88.9mm]	7.00" [177.8mm]	17.00" [431.8mm]	20.50" [520.7mm]	24.00" [609.6mm]
8000P 28	28.00" [711.2mm]	28.00" [711.2mm]	28.83" [732.3mm]	3.50" [88.9mm]	7.00" [177.8mm]	19.00" [482.6mm]	22.50" [571.5mm]	26.00" [660.4mm]



**KNAPE & VOGT.**

2700 Oak Industrial Dr. NE  
Grand Rapids, MI 49505-6026 USA  
1.800.253.1561 | 616.459.3311  
Fax: 877.636.3290  
www.kv.com

This and other KV literature is available for download at [www.kv.com](http://www.kv.com) > Resource Library

Knap & Vogt reserves the right to change product specifications at any time without notice and without incurring responsibility for existing units.  
©2015 Knap & Vogt. KV and the KV logo are trademarks of Knap & Vogt.

OL2033/1115