

Light-Duty

65 lb. Load Class

1/2" Side Clearance

Max. Drawer Width: 24"



4450 Full Extension Soft-Close Low Profile Drawer Slide

The 4450 Full Extension Soft-Close Low Profile Drawer Slide is designed to accommodate lighter and shallower low height drawers for home and commercial applications.

Applications

- Wood residential and commercial furniture
- Lighter weight applications
- Short drawer height applications

Specifications

Model: 4450 Full Extension Soft-Close Low Profile Drawer Slide

Module: Soft-Close

Mounting: Side

Disconnect: Lever

Hole Pattern: 32mm and Traditional

Face Frame Mounting: Yes

Type: Ball-Bearing

Travel: Full Extension

Finish: Zinc Plated

Length: 12", 14", 16", 18", 20", 22", 24"

Clearance: .50" + .03" - 0" on each side

Height: 1.42" [36mm]

Packaging: Bulk Pack (4450B): all sizes - 10 pair per carton

Action: Telescopic

Slide Configuration: Unhanded

Rating

Load: 65 lb.

Max. Drawer Width: 24"

As with all Knap & Vogt drawer slides, the 4450 is designed to meet or exceed ANSI performance standards as established by BIFMA, BHMA and KCMA.

Accessories

4101B: Rear Mounting Bracket

4104B: Front Face Frame Bracket

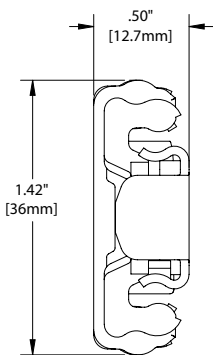
Hardware

#7 x 1/2" Phillips Pan Head

Warranty

Limited Lifetime Warranty

Profile



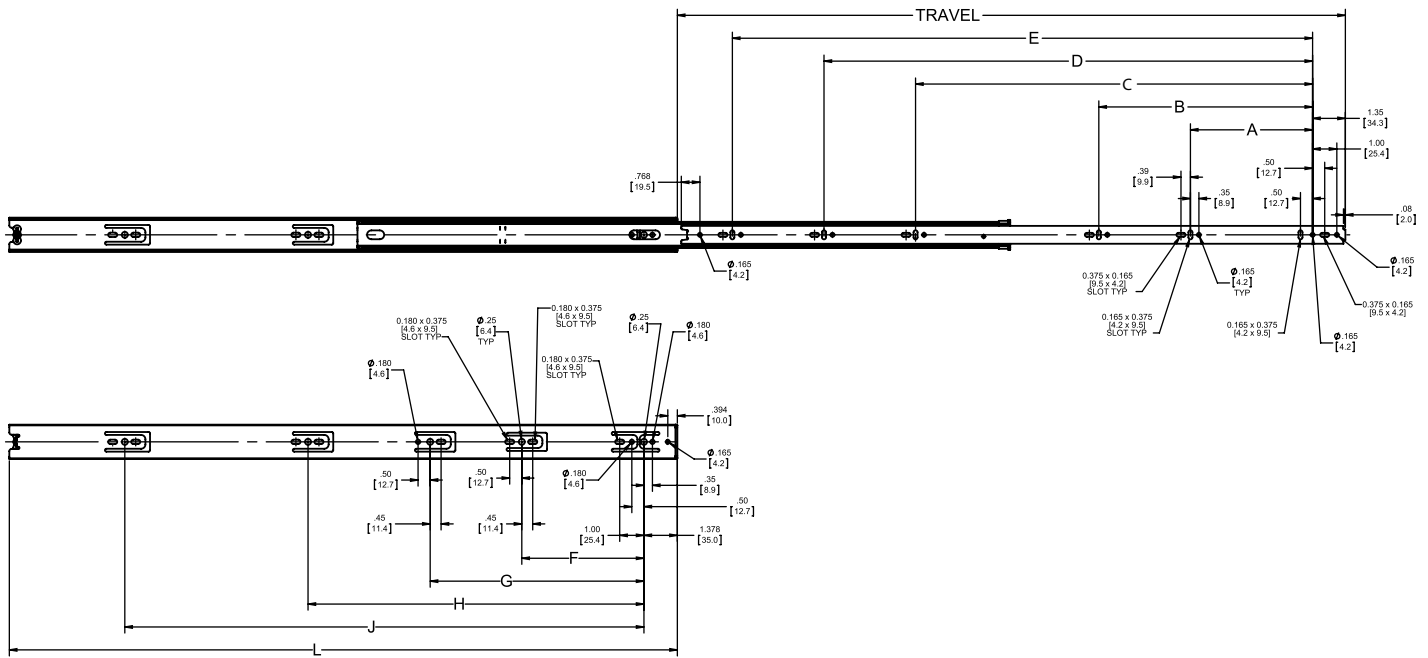
Clearance

1/2" + 1/32" - 0"

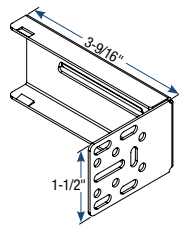
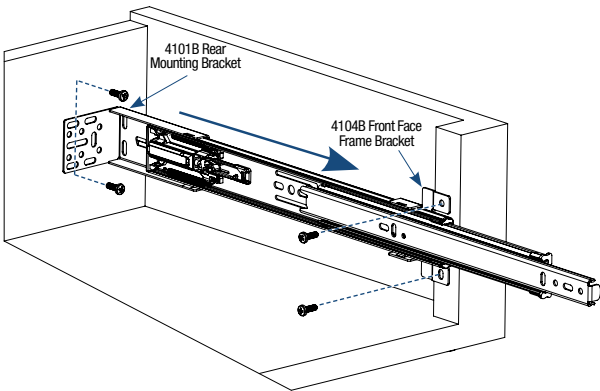
.50" + .03" - 0"

12.7mm + .8mm - 0mm

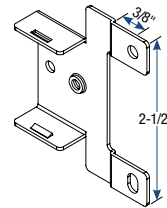
Charted Information



SKU Number	Slide Size inch/mm	Length inch/mm	Travel inch/mm	A inch/mm	B inch/mm	C inch/mm	D inch/mm	E inch/mm	F inch/mm	G Inch/mm	H Inch/mm	J Inch/mm
4450B 10	10" [250mm]	9.84" [250mm]	7.87" [200mm]	-	-	-	-	6.30" [160]	5.04" [128mm]	8.82" [224mm]	-	-
4450B 12	12" [300mm]	11.81" [300mm]	11.81" [300mm]	-	-	-	-	8.82" [224mm]	5.04" [128mm]	8.82" [224mm]	-	-
4450B 14	14" [350mm]	13.78" [350mm]	13.78" [350mm]	5.04" [128mm]	-	-	-	11.34" [288mm]	5.04" [128mm]	8.82" [224mm]	-	-
4450B 16	16" [400mm]	15.75" [400mm]	15.75" [400mm]	5.04" [128mm]	-	-	-	16.38" [416mm]	5.04" [128mm]	8.82" [224mm]	12.60" [320mm]	-
4450B 18	18" [450mm]	17.72" [450mm]	17.72" [450mm]	5.04" [128mm]	-	-	-	20.16" [512mm]	5.04" [128mm]	8.82" [224mm]	13.86" [352mm]	-
4450B 20	20" [500mm]	19.69" [500mm]	19.69" [500mm]	5.04" [128mm]	12.60" [320mm]	-	-	24.00" [609.6mm]	5.04" [128mm]	8.82" [224mm]	16.38" [416mm]	-
4450B 22	22" [550mm]	21.65" [550mm]	21.65" [550mm]	5.04" [128mm]	12.60" [320mm]	-	-	27.84" [707.0mm]	5.04" [128mm]	8.82" [224mm]	13.86" [352mm]	17.64" [448mm]
4450B 24	24" [600mm]	23.62" [600mm]	23.62" [600mm]	5.04" [128mm]	8.82" [224mm]	16.38" [416mm]	-	31.68" [800.0mm]	5.04" [128mm]	8.82" [224mm]	13.86" [352mm]	18.90" [480mm]



4101B Rear
Mounting Bracket



4104B Front
Face Frame Bracket



KNAPE & VOGT.

2700 Oak Industrial Dr. NE
Grand Rapids, MI 49505-6026 USA
1.800.253.1561 | 616.459.3311
Fax: 877.636.3290
www.kv.com

The 4450 Drawer slide is designed for applications in the 65 pound class with maximum drawer width of 24". Slides are tested to meet or ANSI performance standards as established by BIFMA, KCMA and BHMA.

Knap & Vogt reserves the right to change product specifications at any time without notice and without incurring responsibility for existing units.

©2017 Knap & Vogt. KV and the KV logo are trademarks of Knap & Vogt.

0L2527/0117