

FRENCH DOOR BOTTOM MOUNT REFRIGERATOR OWNER'S MANUAL

MANUEL D'UTILISATION DU RÉFRIGÉRATEUR À PORTE À DOUBLE BATTANT ET CONGÉLATEUR EN BAS

MANUAL DE INSTRUCCIONES DEL REFRIGERADOR CON PUERTA INFERIOR ESTILO FRANCÉS

Table of Contents/Table des matières/Índice

| | | |
|---|---|---|
| REFRIGERATOR SAFETY 2 Refrigerator Safety 2 Proper Disposal of Your Old Refrigerator 6 PARTS AND FEATURES 7 WHAT'S NEW BEHIND THE DOORS? 8 INSTALLATION INSTRUCTIONS 8 Getting Started 8 Water Filter Installation 8 Unpack the Refrigerator 9 Location Requirements 9 Electrical Requirements 10 Remove And Replace Refrigerator Doors 11 Remove and Replace Freezer/ Flexible Temperature Zone Door 13 Refrigerator Levelling 14 Water Supply Requirements 14 Connect the Water Supply 14 Handle Installation and Removal 15 FILTERS AND ACCESSORIES 15 Water Filtration System 15 Accessories 17 REFRIGERATOR USE 17 Opening and Closing Doors 17 Using the Controls 18 Touch Panel 19 Display 19 Demo Mode 19 Tools 19 More Modes 20 Lighting the Refrigerator 21 Icons 21 Water and Ice Dispensers 22 Ice Maker and Storage Bin 23 SHELVES, BINS, AND DRAWERS 23 Shelves, Bins, And Drawers 23 Freezer Storage Compartments 24 REFRIGERATOR CARE 25 Cleaning 25 Lights 26 Holiday and Moving Care 26 PERFORMANCE DATA SHEET 27 | SÉCURITÉ DU RÉFRIGÉRATEUR 29 Sécurité du réfrigérateur 29 Mise au rebut du vieux réfrigérateur 33 PIÈCES ET CARACTÉRISTIQUES 34 QUOI DE NEUF EN COULISSE? 35 INSTRUCTIONS D'INSTALLATION 35 Pour commencer 35 Installation du filtre à eau 35 Déballage du réfrigérateur 36 Exigences d'Emplacement 36 Spécifications électriques 37 Retrait et réinstallation des portes du réfrigérateur 38 Retrait et remise en place de la porte du congélateur/de la zone polyvalente 40 Nivellement du Réfrigérateur 41 Spécifications de l'Alimentation en Eau 41 Raccordement à la conduite d'eau 41 Installation et Retrait des Poignées 43 FILTRES ET ACCESSOIRES 43 Système de Filtration de l'Eau 43 Accessoires 44 UTILISATION DU RÉFRIGÉRATEUR 45 Ouverture et Fermeture des Portes 45 Utilisation des Commandes 47 Touch Panel (Panneau Tactile) 47 Display (Affichage) 47 Demo Mode (Mode de Démonstration) 47 Tools (Outils) 47 Plus de modes 49 Éclairage du Réfrigérateur 50 Icônes 50 Distributeurs d'Eau et de Glaçons 51 Machine à Glaçons et Bac d'Entreposage 52 TABLETTES, BALCONNETS ET TIROIRS 53 Tablettes, Balconnets et Tiroirs 53 Compartiments de rangement du congélateur 54 ENTRETIEN DU RÉFRIGÉRATEUR 55 Nettoyage 55 Lampes 56 Précautions à Prendre pour les Vacances ou le Déménagement 56 FICHE DE DONNÉES DE PERFORMANCE 57 | SEGURIDAD DEL REFRIGERADOR 59 Seguridad del Refrigerador 59 Cómo Deshacerse Adecuadamente de su Refrigerador Anterior 63 PIEZAS Y CARACTERÍSTICAS 64 ¿QUÉ HAY DE NUEVO DETRÁS DE LAS PUERTAS? 65 INSTRUCCIONES DE INSTALACIÓN 65 Cómo Empezar 65 Instalación del Filtro de Agua 65 Desembalaje del refrigerador 66 Requisitos de ubicación 66 Requisitos Eléctricos 67 Cómo retirar y volver a colocar las puertas del refrigerador 68 Retirar y volver a colocar la puerta del congelador/zona de temperatura flexible 70 Nivelado del Refrigerador 71 Requisitos del Suministro de Agua 71 Conexión del Suministro de Agua 71 Cómo instalar y remover las manijas 73 FILTROS Y ACCESORIOS 73 Sistema de Filtrado de Agua 73 Accesorios 74 USO DE SU REFRIGERADOR 75 Cómo Abrir y Cerrar las Puertas 75 Uso de los controles 76 Touch Panel (Panel Táctil) 77 Display (Pantalla) 77 Demo Mode (Modo de demostración) 77 Tools (Herramientas) 77 Más modos 79 Iluminación del refrigerador 80 Iconos 80 Despachadores de agua y hielo 81 Fábrica de hielo y recipiente de almacenamiento 82 ESTANTES, DEPÓSITOS Y CAJONES 83 Estantes, Depósitos y Cajones 83 Compartimientos de almacenamiento del congelador 84 CUIDADO DEL REFRIGERADOR 85 Limpieza 85 Luces 86 Cuidado durante las vacaciones y mudanzas 86 HOJA DE DATOS DE RENDIMIENTO 87 |
|---|---|---|

Refrigerator Safety

Your safety and the safety of others are very important.

We have provided many important safety messages in this manual and on your appliance. Always read and obey all safety messages.



This is the safety alert symbol.

This symbol alerts you to potential hazards that can kill or hurt you and others.

All safety messages will follow the safety alert symbol and either the word "DANGER" or "WARNING." These words mean:

▲ DANGER

You can be killed or seriously injured if you don't immediately follow instructions.

▲ WARNING

You can be killed or seriously injured if you don't follow instructions.

All safety messages will tell you what the potential hazard is, tell you how to reduce the chance of injury, and tell you what can happen if the instructions are not followed.

IMPORTANT SAFETY INSTRUCTIONS

WARNING: To reduce the risk of fire, electric shock, or injury to persons when using your appliance, follow basic precautions, including the following:

- Children should be supervised to ensure that they do not play with the appliance.
- This appliance is not intended for use by persons (including children) with reduced physical, sensory, or mental capabilities, or lack of experience and knowledge, unless they have been given supervision or instruction concerning use of the appliance by a person responsible for their safety.
- Do not use an extension cord.
- If power supply cord is damaged, it must be replaced by the manufacturer, its service agent, or a similarly qualified person in order to avoid a hazard.
- Connect to potable water supply only.
- This appliance is intended to be used in household and similar applications such as: staff kitchen areas in shops, offices, and other working environments; farm houses and by clients in hotels, motels, and other residential-type environments; bed and breakfast-type environments; and catering and similar non-retail applications.
- Do not store explosive substances such as aerosol cans with a flammable propellant in this appliance.
- Do not use replacement parts that have not been recommended by the manufacturer (e.g., parts made at home using a 3D printer).
- Keep ventilation openings, in the appliance enclosure or in the built-in structure, clear of obstruction.
- Do not use mechanical devices or other means to accelerate the defrosting process, other than those recommended by the manufacturer.
- Do not damage the refrigerant circuit.
- Do not use electrical appliances inside the food storage compartments of the appliance, unless they are of the type recommended by the manufacturer.
- Ice maker kit can be added to some models. See serial tag inside the food compartment of appliance for ice maker kit model information.
- A qualified service technician must install the water line and ice maker. See installation instructions supplied with ice maker kit for complete details.

SAVE THESE INSTRUCTIONS

SAFETY INSTRUCTIONS

IMPORTANT TO BE READ AND OBSERVED

Before using the appliance, read these safety instructions. Keep them nearby for future reference. These instructions and the appliance itself provide important safety warnings, to be observed at all times. The manufacturer declines any liability for failure to observe these safety instructions, for inappropriate use of the appliance or incorrect setting of controls.

△ Very young children (0-3 years) should be kept away from the appliance. Young children (3-8 years) should be kept away from the appliance unless continuously supervised. Children from 8 years old and above and persons with reduced physical, sensory or mental capabilities or lack of experience and knowledge can use this appliance only if they are supervised or have been given instructions on safe use and understand the hazards involved. Children must not play with the appliance. Cleaning and user maintenance must not be carried out by children without supervision. Children aged from 3 to 8 years are allowed to load and unload refrigerating appliances.

PERMITTED USE

△ CAUTION: The appliance is not intended to be operated by means of an external switching device, such as a timer, or separate remote controlled system.

△ This appliance is intended to be used in household and similar applications such as:

- Staff kitchen areas in shops, offices, and other working environments;
- Farm house and by clients in hotels, motels, and other residential-type environments;
- Bend and breakfast-type environments;
- Catering and similar non-retail applications.

△ This appliance is not for professional use. Do not use the appliance outdoors, in garage or in basement.

△ The appliance is designed for operation in places where the ambient temperature comes within the following ranges, according to the climatic class given on the rating plate. The appliance may not work properly if it is left for a long time at a temperature outside the specified range.

Climatic Class Amb. T. (°C)

SN: From 10 to 32 °C; N: From 16 to 32 °C

ST: From 16 to 38 °C; T: From 16 to 43 °C

△ This appliance does not contain CFCs. The refrigerant circuit contains R600a (HC). Appliances with Isobutane (R600a): isobutane is a natural gas without environmental impact, but is flammable. Therefore, make sure the refrigerant circuit pipes are not damaged, especially when emptying the refrigerant circuit.

△ WARNING: Do not damage the appliance refrigerant circuit pipes.

△ WARNING: Keep ventilation openings, in the appliance enclosure or in the built-in structure, clear of obstruction.

△ WARNING: Do not use mechanical, electric or chemical means other than those recommended by the Manufacturer to speed up the defrost process.

△ WARNING: Do not use or place electrical devices inside the appliance compartments if they are not of the type expressly authorized by the Manufacturer.

△ WARNING: Ice makers and/or water dispensers not directly connected to the water supply must be filled with potable water only.

△ WARNING: Automatic ice-makers and/or water dispensers must be connected to a water supply that delivers potable water only, with mains water pressure between 0.14Mpa and 1.0Mpa (1.4 bar and 10 bar).

△ WARNING: Use the new hose-sets supplied with the appliance, and the old hose-sets should not be reused.

△ Do not store explosive substances such as aerosol cans with a flammable propellant in this appliance.

△ Do not swallow the contents (non-toxic) of the ice packs (provided with some models). Do not eat ice cubes or ice lollies immediately after taking them out of the freezer since they may cause cold burns.

△ For products designed to use an air filter inside an accessible fan cover, the filter must always be in position when the refrigerator is in function.

△ Do not store glass containers with liquids in the freezer compartment since they may break. Do not obstruct the fan (if included) with food items. After placing the food check that the door of the compartments closes properly, especially the freezer door.

△ Damaged gaskets must be replaced as soon as possible.

△ Use the refrigerator compartment only for storing fresh food and the freezer compartment only for storing frozen food, freezing fresh food and making ice cubes.

△ Avoid storing unwrapped food in direct contact with internal surfaces of the fresh food or freezer compartments. Appliances could have special compartments (Fresh Food Compartment, Zero Degree Box, etc.). Unless specified in the specific booklet of product, they can be removed, maintaining equivalent performances.

△ Avoid a direct contact between the fresh food and the food that is already frozen. To optimize the freezing speed, drawers can be removed and the food can be placed directly on the bottom or top of the compartment.

⚠️ △ Warning: Risk of fire/flammable materials. The most appropriate compartments of the appliance where specific types of food are to be stored, taking into account different temperature distribution in different compartments in the appliance, are as follows:

- Refrigerator compartment: Store tropical fruit,

cans, drinks, eggs, sauces, pickles, butter, jam, cheese, milk, dairy food, yoghurt. You may also store cold cuts, desserts, meat and fish, cheesecake, fresh pasta, sour cream, pudding and cream cheese.

Fruit & vegetable drawer at the bottom of the refrigerator compartment: Store vegetables and fruits (excluding tropical fruits).

Chiller compartment: Only store meat and fish in the coldest drawer

- Freezer compartment:

is suitable for freezing foodstuffs from ambient temperature and for storing frozen food as the temperature is evenly distributed throughout the entire compartment. Purchased frozen food has the storage expiration date stated on the packaging. This date takes into account the type of food being stored and therefore this date should be respected. Fresh food should be stored for the following time periods: 1-3 months for cheese, shellfish, ice cream, ham/sausage, milk, fresh liquids; 4 months for steak or chops (beef, lamb, pork); 6 months for butter or margarine, poultry (chicken, turkey); 8-12 months for fruits (except citrus), roast meat (beef, pork, lamb), vegetables. Expiration dates on the packaging of foods must be respected. Please store foodstuffs according to above paragraphs for best preservation over the longest period, to avoid food waste.

To avoid food contamination, please observe the following:

- Opening the door for long periods can cause a significant increase of the temperature in the compartments of the appliance.

- Regularly clean surfaces that may come into contact with food and accessible drainage systems.

- Clean water tanks if they have not been used for 48 h; flush the water system connected to a water supply if water has not been drawn for 5 days.

- Store raw meat and fish in suitable containers in the refrigerator, so that it does not come into contact with or drip onto other food.

In the Convertible Space storage should be as followed:

+10°C : store white wine

+4°C: store vegetables and fruits (excluding tropical fruits)

0°C: only store meat and fish

All set points below zero: store frozen foodstuff as for freezer cavity

- Two-star frozen food compartments are suitable for storing pre-frozen food, storing or making ice cream and ice cubes.

- Do not freeze fresh food in one, two or three-star compartments.

- If the refrigerating appliance is left empty for long periods, switch off, defrost, clean, dry, and leave the door open to prevent mould developing inside the appliance.

INSTALLATION

⚠ The appliance must be handled and installed by two or more persons - risk of injury. Use protective gloves to unpack and install - risk of cuts.

⚠ Installation, including water supply (if any) and electrical connections, and repairs must be carried out by a qualified technician. Do not repair or replace any part of the appliance unless specifically stated in the user manual. Keep children away from the installation site.

After unpacking the appliance, make sure that it has not been damaged during transport. In the event of problems, contact the dealer or your nearest After-sales Service. Once installed, packaging waste (plastic, styrofoam parts etc.) must be stored out of reach of children - risk of suffocation. The appliance must be disconnected from the power supply before any installation operation - risk of electric shock. During installation, make sure the appliance does not damage the power cable - risk of fire or electric shock. Only activate the appliance when the installation has been completed.

⚠ Be careful not to damage the floors (e.g. parquet) when moving the appliance. Install the appliance on a floor or support strong enough to take its weight and in a place suitable for its size and use. Make sure the appliance is not near a heat source and that the four feet are stable and resting on the floor, adjusting them as required, and check that the appliance is perfectly level using a spirit level. Wait at least two hours before switching the appliance on, to ensure that the refrigerant circuit is fully efficient.

⚠ WARNING: When positioning the appliance, ensure the supply cord is not trapped or damaged.

⚠ WARNING: To avoid a hazard due to instability, positioning or fixing of the appliance must be done in accordance with the manufacturer instructions. It is forbidden to place the refrigerator in such way that the metal hose of gas stove, metal gas or water pipes, or electrical wires are in contact with the refrigerator back wall (condenser coil).

⚠ To guarantee adequate ventilation, leave a space on both sides and above the appliance. The distance between the rear of the appliance and the wall behind the appliance should be 50mm, to avoid access to hot surfaces. A reduction of this space will increase the Energy consumption of product.

⚠ If it is necessary to replace the doors, please contact the Technical Assistance Center.

ELECTRICAL WARNINGS

⚠ It must be possible to disconnect the appliance from the power supply by unplugging it if plug is accessible, or by a multi-pole switch installed upstream of the socket in accordance with the wiring rules and the appliance must be earthed in conformity with national electrical safety standards.

⚠ Do not use extension leads, multiple sockets or adapters. The electrical components must not be accessible to the user after installation. Do not use the appliance when you are wet or barefoot. Do not operate this appliance if it has a damaged power cable or plug, if it is not working properly, or if it has been damaged or dropped.

⚠ If the supply cord is damaged, it must be replaced with an identical one by the manufacturer, its service agent or similarly qualified persons in order to avoid a hazard-risk of electric shock.

⚠ WARNING: Do not locate multiple portable socket-outlets or portable power supplies at the rear of the appliance.

CLEANING AND MAINTENANCE

⚠ WARNING: Ensure that the appliance is switched off and disconnected from the power supply before performing any maintenance operation; never use steam cleaning equipment - risk of electric shock.

⚠ Do not use abrasive or harsh cleaners such as window sprays, scouring cleansers, flammable fluids, cleaning waxes, concentrated detergents, bleaches or cleansers containing petroleum products on plastic parts, interior and door liners or gaskets. Do not use paper towels, scouring pads, or other harsh cleaning tools.

DISPOSAL OF PACKAGING MATERIALS

The packaging material is recyclable and is marked with the recycle symbol ♻.

The various parts of the packaging must therefore be disposed of responsibly and in full compliance with local authority regulations governing waste disposal.

DISPOSAL OF HOUSEHOLD APPLIANCES

This appliance is manufactured with recyclable or reusable materials. Dispose of it in accordance with local waste disposal regulations. For further information on the treatment, recovery and recycling of household electrical appliances, contact your local authority, the collection service for household waste or the store where you purchased the appliance. This appliance is marked in compliance with European Directive 2012/19/EU, Waste Electrical and Electronic Equipment (WEEE). By ensuring this product is disposed of correctly, you will help prevent negative consequences for the environment and human health. The symbol ♻ on the product or on the accompanying documentation indicates that it should not be treated as domestic waste but must be taken to an appropriate collection center for the recycling of electrical and electronic equipment.

ENERGY SAVING TIPS

Install the appliance in a dry, well ventilated room far away from any heat source (eg. radiator, cooker, etc.) and in a place not exposed directly to the sun. If required, use an insulating plate. To guarantee adequate ventilation follow installation instructions.

Insufficient ventilation at the back of the product increases energy consumption and decreases cooling efficiency. Frequent door opening might cause an increase in Energy Consumption. The internal temperature of the appliance and the Energy Consumption may be affected also by the ambient temperature, as well as location of the appliance. Temperature setting should take into consideration these factors.

Reduce door opening to a minimum.

When thawing frozen food, place in the refrigerator. The low temperature of the frozen products cools the food in the refrigerator. Allow warm food and drinks to cool down before placing in the appliance. Positioning of the shelves in the refrigerator has no impact on the efficient usage of energy. Food should be placed on the shelves in such way to ensure proper air circulation (food should not touch each other and distance between food and rear wall should be kept).

You can increase storage capacity of frozen food by removing baskets and, if present, Stop Frost shelf.

Do not worry about noises coming from the compressor which are described as normal noises in this product's Quick Guide.

Proper Disposal of Your Old Refrigerator

WARNING: Risk of child entrapment. Before you throw away your old refrigerator or freezer:

- Take off the doors.
- Leave the shelves in place so that children may not easily climb inside.

⚠WARNING

Suffocation Hazard

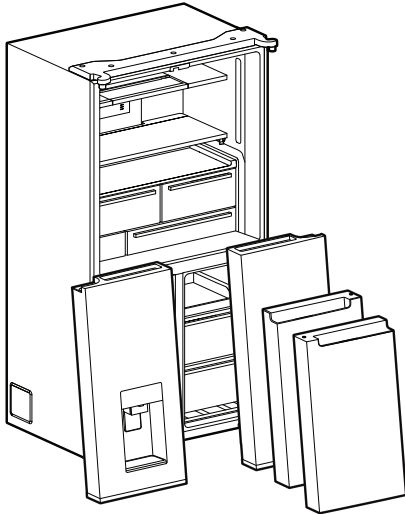
Remove doors or lid from your old appliance.

Failure to do so can result in death or brain damage.

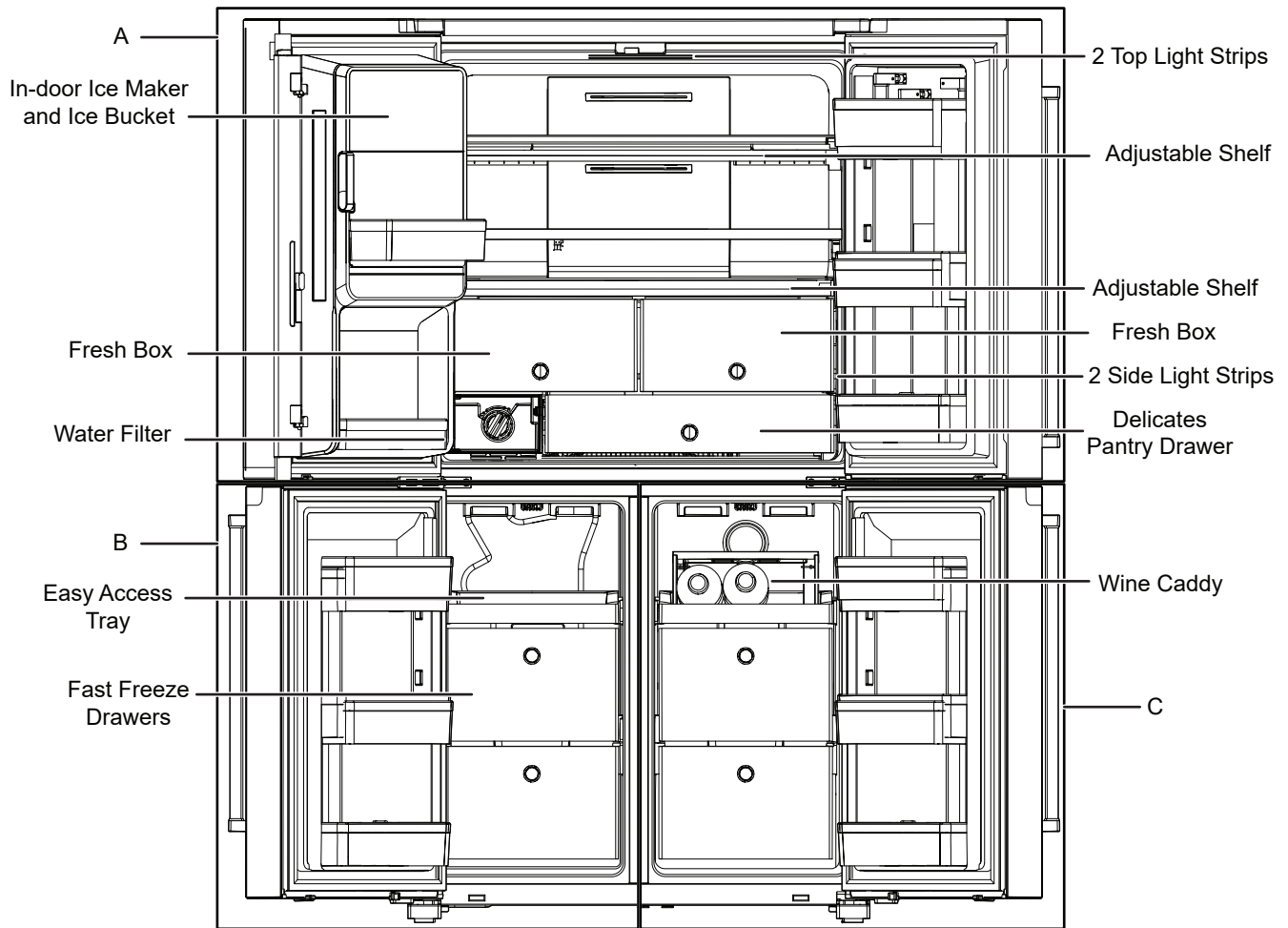
IMPORTANT: Child entrapment and suffocation are not problems of the past. Junked or abandoned freezers or refrigerators, are still dangerous, even if they will sit for “just a few days.” If you are getting rid of your old refrigerator or freezer, please follow these instructions to help prevent accidents.

Important information to know about disposal of refrigerants:

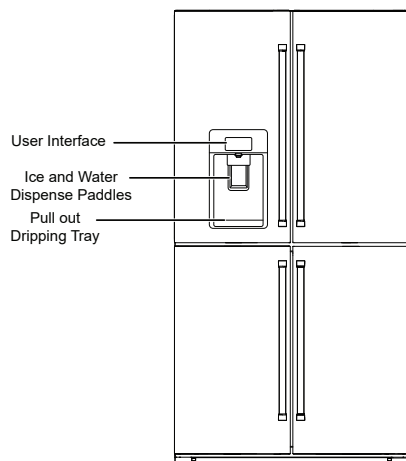
Dispose of refrigerator in accordance with Federal and Local regulations. Refrigerants must be evacuated by a licensed, EPA certified refrigerant technician in accordance with established procedures.



PARTS AND FEATURES



- A. Refrigerator
- B. Freezer
- C. Flexible Temperature Zone



NOTE:

- The drawers, baskets and shelves shall remain in the position like the above picture. This is the best condition for energy consumption. This refrigerating appliance is not intended to be used as a built-in appliance.
- When you first install your refrigerator, make sure that the controls are still set to the recommended set points. The factory recommended set points are 3°C (37.4°F) for the refrigerator and -18°C (-0.4°F) for the freezer. Load limits are determined by baskets, flaps, drawers, shelves etc. Make sure that these components can still close easily after loading.

WHAT'S NEW BEHIND THE DOORS?

In-Door-Ice® Storage Bin

The ice maker and ice storage bin are located in the door for easy access to filtered ice while freeing up valuable shelf space inside and adding additional door bins for more usable space.

Freeze Shield

This feature minimizes moisture migration in the frozen food and reduces the freezer burn occurrence.

Pull out Platter

This full-width side-out shelf tucked between the crispers and the lowest shelf is perfect for leftover family-sized casserole dishes, pizza boxes, and large party platters.

Delicates Pantry Drawers

To store things like meat, deli items, and drinks to keep in their ideal cooling environment.

Water Dispenser with Measured Fill

The Measured Fill feature allows you to dispense a desired amount of filtered water in handy increments like 6.8 Oz (0.2 liter), 16.9 Oz (0.5 liter), and 33.8 Oz (1.0 liter).

Panoramic LED lighting

Multiple strips of LED lights inside the refrigerator compartment, freezer compartment, and interior drawers minimize shadows and evenly distribute light throughout the refrigerator.

FreshChill Flexible Zone

Switch from freezer to fridge in one touch by selecting among the 6+ preset temperatures and create the space you want according to your evolving needs.

LCD

The high definition displays with touchscreen provide personalized recommendations and allow to interact with the fridge quickly and effortlessly.

INSTALLATION INSTRUCTIONS

Getting Started

Installation Checklist

Electrical Power

⚠ WARNING



Electrical Shock Hazard

Plug into a grounded 3 prong outlet.

Do not remove ground prong.

Do not use an adapter.

Do not use an extension cord.

Failure to follow these instructions can result in death, fire, or electrical shock.

- Plug refrigerator into a earthed socket.

Doors

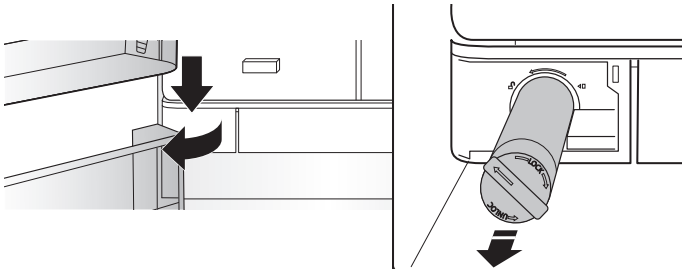
- If doors need to be removed during installation, see the "Remove and Replace Refrigerator Doors" and "Remove and Replace Freezer Door Fronts" sections.
- Doors seal completely.
- Refrigerator is level. Adjust leveling feet so they are snug against the floor.
- Doors are even across the top. (Use door alignment feature if necessary).

Final Checks

- Remove all shipping material.
- Set temperature controls to the recommended setting.
- Save instructions and other literature.
- In order to receive a more complete assistance, please register your product on www.whirlpool.com.

Water Filter Installation

- Locate the water filter compartment in the lower left-hand side of the refrigerator compartment. Push on the right side of the filter door to open.
- Align the arrow on the water filter cap with the cutout notch in the filter housing and insert filter.
- Once the filter is inserted, turn the filter clockwise 90° (1/4 turn) until it locks into the housing.
- Push water filter door closed to latch.
- Flush 3 gallons (11.4 L) of water through the water system to clear air from the water line and to keep the dispenser from dripping and/or avoiding decreased dispenser flow.
- Reset the filter counter via user interface. See the procedure to reset the filter in the User Controls section.



NOTE: If the filter is not installed correctly, water may dispense at a lower flow rate and there will be slower ice production. Improper filter installation may also cause the water filter housing to leak.

Unpack the Refrigerator

⚠WARNING

Excessive Weight Hazard

Use two or more people to move and install or uninstall appliance.

Failure to do so can result in back or other injury.

Refrigerator Delivery

- A minimum door opening of 33" (838 mm) is required. If door opening is 36" (914 mm) or less, then removal of doors, drawer, and hinges is required.
- Cart the refrigerator from the side for all door openings.

When Moving Your Refrigerator:

Your refrigerator is heavy. When moving the refrigerator for cleaning or service, be sure to cover the floor with cardboard or hardboard to avoid floor damage. Always pull the refrigerator straight out when moving it. Do not wiggle or "walk" the refrigerator when trying to move it, as floor damage could occur.

Remove the Packaging

- Remove tape and glue residue from surfaces before turning on the refrigerator. Rub a small amount of liquid dish soap over the adhesive with your fingers. Wipe with warm water and dry.
- Do not use sharp instruments, rubbing alcohol, flammable fluids, or abrasive cleaners to remove tape or glue. These products can damage the surface of your refrigerator. For more information, see "Refrigerator Safety."
- Dispose of/recycle all packaging materials.

Clean Before Using

After you remove all of the packaging materials, clean the inside of your refrigerator before using it. See the cleaning instructions in "Refrigerator Care."

Important information to know about glass shelves and covers:

Do not clean glass shelves or covers with warm water when they are cold. Shelves and covers may break if exposed to sudden temperature changes or impact, such as bumping. Tempered glass is designed to shatter into many small, pebble-size pieces. This is normal. Glass shelves and covers are heavy. Use both hands when removing them to avoid dropping.

Location Requirements

⚠WARNING



Explosion Hazard

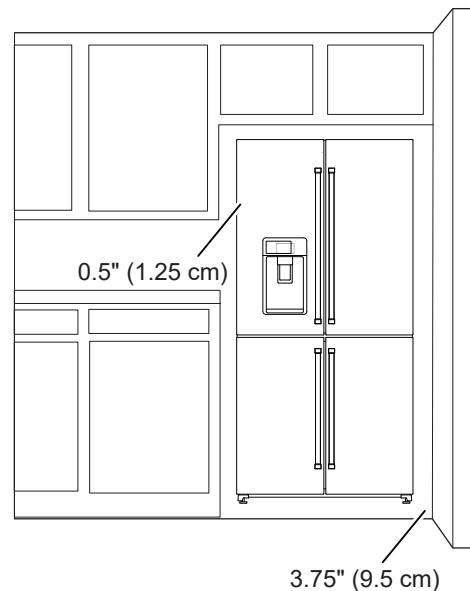
Keep flammable materials and vapors, such as gasoline, away from appliance.

Use nonflammable cleaner.

Failure to do so can result in death, explosion, or fire.


To ensure proper ventilation for your refrigerator, allow for a 0.5" (1.25 cm) space on each side and at the top. Allow for a 2" (5 cm) space behind the refrigerator. If your refrigerator has an ice maker, allow extra space at the back for the water line connections. When installing your refrigerator next to a fixed wall, leave a 3.75" (9.5 cm) minimum space between the refrigerator and wall to allow the door to swing open.

NOTE: This refrigerator is intended for use in a location where the temperature ranges from a minimum of 10°C (50°F) to a maximum of 43°C (109°F). The preferred room temperature range for optimum performance, which reduces electricity usage and provides superior cooling, is between 15°C (59°F) and 32°C (90°F). It is recommended that you do not install the refrigerator near a heat source, such as an oven or radiator.



Electrical Requirements

⚠ WARNING



Electrical Shock Hazard

Plug into a grounded 3 prong outlet.

Do not remove ground prong.

Do not use an adapter.

Do not use an extension cord.

Failure to follow these instructions can result in death, fire, or electrical shock.

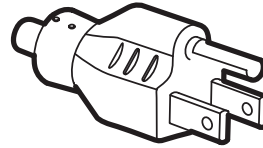
IMPORTANT: Installation and electrical connection must be carried out by a qualified technician according to the manufacturer’s instructions and in compliance with the local safety regulations.

- The refrigerator is designed to operate on a separate 115 V, 60 Hz circuit.
- Make sure the voltage specified on the rating plate corresponds to that of your home.
- It must be possible to disconnect the appliance from the power supply by unplugging it or by means of a main two pole switch installed upstream of the socket.
- If the supply cord is damaged, it must be replaced by the manufacturer, its service agent or similarly qualified persons in order to avoid a hazard.

Before you move your refrigerator into its final location, it is important to make sure you have the proper electrical connection:

Recommended Earthing Method

A 115 V, 60 Hz AC only 15 A or 20 A fused, grounded electrical supply is required. It is recommended that a separate circuit serving only your refrigerator and approved accessories be provided. Use an outlet that cannot be turned off by a switch. Do not use an extension cord.



Type B

IMPORTANT: If this product is connected to a GFCI (Ground Fault Circuit Interrupter) protected outlet, nuisance tripping of the power supply may occur, resulting in loss of cooling. Food quality and flavor may be affected. If nuisance tripping has occurred, and if the condition of the food appears poor, dispose of the food.

NOTE: Before performing any type of installation or cleaning, or removing a light bulb, turn cooling off or turn the control (Thermostat, Refrigerator or Freezer Control depending on the model) to Off. On models with a digital temperature control, press the minus sign touch pads repeatedly until a dash (-) appears in both the freezer and refrigerator displays. Disconnect the refrigerator from the electrical source. When you are finished, reconnect the refrigerator to the electrical source and turn cooling on or reset the control (Thermostat, Refrigerator or Freezer Control depending on the model) to the desired setting. See the “Quick Start Guide”.

Remove And Replace Refrigerator Doors

NOTE: Measure the width of your door opening to see whether or not you need to remove refrigerator doors to move refrigerator into your home. If door removal is necessary, see the following instructions.

IMPORTANT: If refrigerator was previously installed and you are moving it out of the home, turn refrigerator control off before you begin removing the doors. Unplug refrigerator or disconnect power. Remove food and adjustable door or utility bins from doors.

TOOLS NEEDED: 6 mm socket wrench, 5 mm socket wrench and #2 Phillips screwdriver.

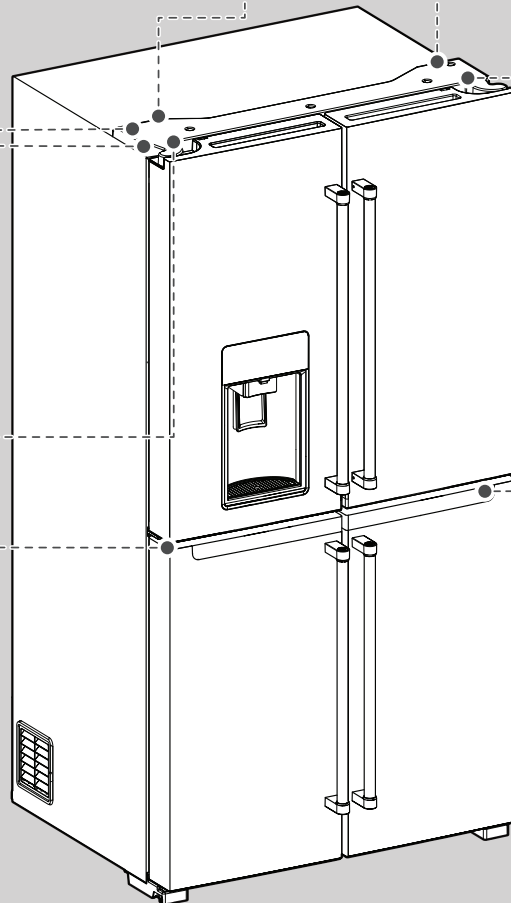
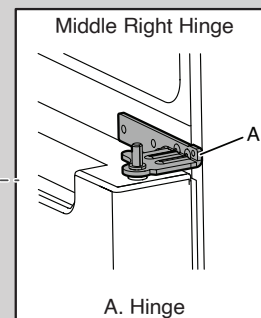
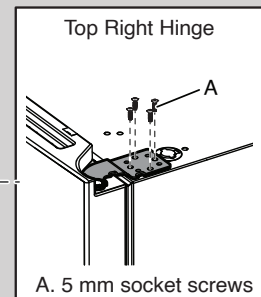
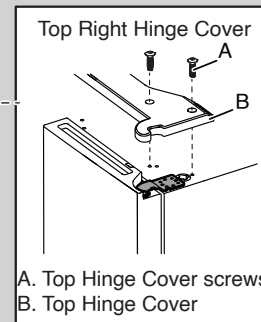
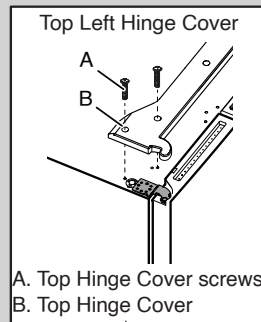
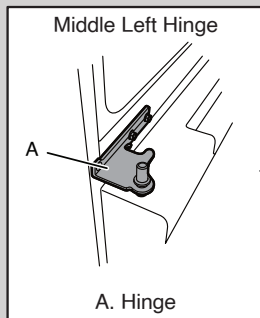
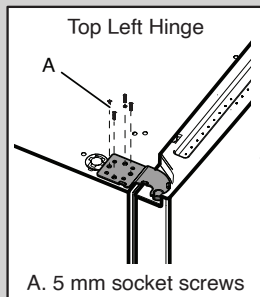
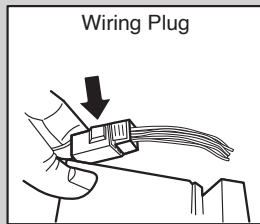
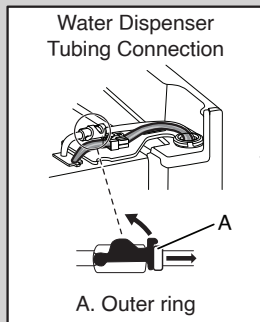


⚠ WARNING

Electrical Shock Hazard

Disconnect power before removing doors.

Failure to do so could result in death or electrical shock.



⚠WARNING

Excessive Weight Hazard

Use two or more people to lift the appliance door.
Failure to do so can result in back or other injury.

Remove Refrigerator Doors

⚠WARNING



Electrical Shock Hazard

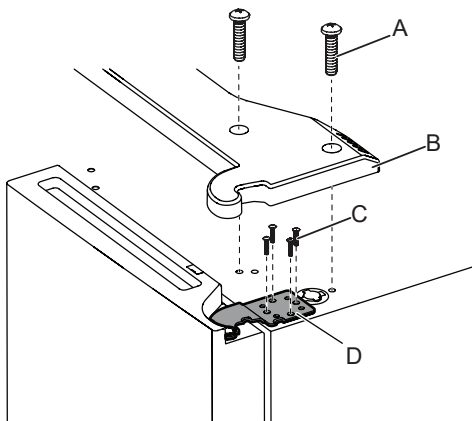
Disconnect power before removing doors.
Failure to do so could result in death or electrical shock.

Remove Right-Hand Door

1. Unplug refrigerator or disconnect power.
2. Keep refrigerator doors closed until you are ready to lift them free from the cabinet.

NOTE: Provide additional support for refrigerator door while the hinges are being removed. Do not depend on the door gasket magnets to hold the door in place while you are working.

3. Using a Phillips screwdriver, remove cover from top hinge.
4. Using 5 mm socket wrench, remove four screws from top hinge and set aside.



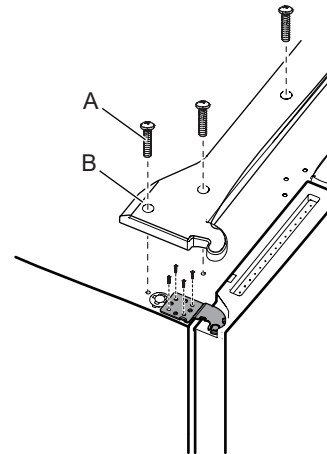
- A. Top hinge cover screw
- B. Top hinge cover
- C. 5 mm socket screws
- D. Top hinge

5. Lift refrigerator door from the middle hinge pin. The top hinge will come away with the door.

Remove Left-Hand Door

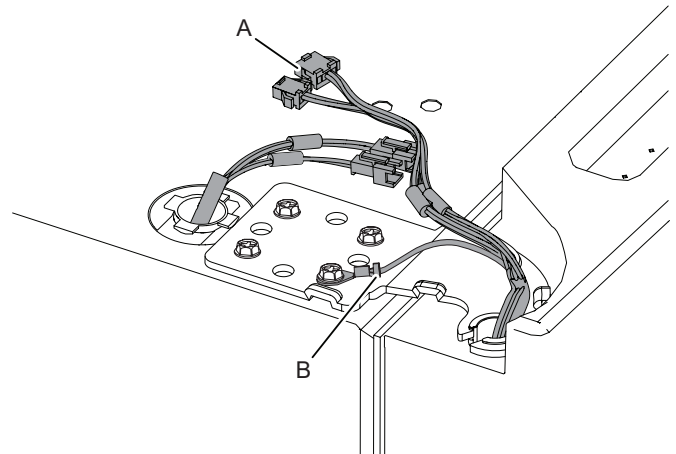
IMPORTANT: The wiring for UI run through left-hand door hinge, so they must be disconnected before removing the door.

1. Using a Phillips screwdriver, remove cover from top hinge.



- A. Top hinge cover screw
- B. Top hinge cover

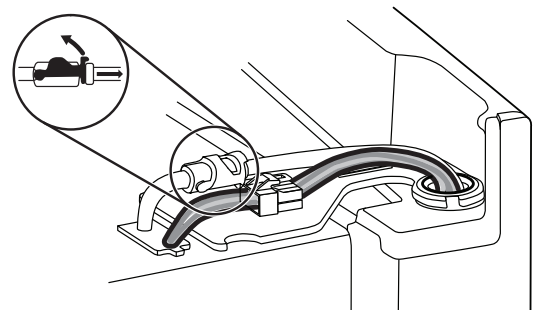
2. Disconnect two wiring plugs located on top of the door hinge.
 - Grasp each side of wiring plugs. With your left thumb, press down to release the catch and pull the sections of the plugs apart.



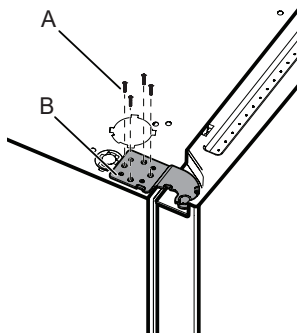
- A. Wiring Plug
- B. Ground (earth) connector

3. Disconnect the water dispenser tubing located on top of the door hinge. Firmly pull up on the clasp. Then, pull the tubing out of the fitting.

NOTE: The water dispenser tubing remains attached to the left-hand refrigerator door.



- Using 5 mm socket wrench, remove four internal screws from top hinge and set aside.



A. 5 mm socket screws
B. Top Hinge

NOTE: Provide additional support for refrigerator door while hinges are being removed. Do not depend on the door gasket magnets to hold the door in place while you are working.

- Lift refrigerator door from bottom hinge pin. The top hinge will come away with door.

NOTE: It may not be necessary to remove bottom hinges and brake feet assemblies to move the refrigerator through a doorway.

- Only if necessary, use 6 mm socket wrench and #2 Phillips screwdriver to remove middle hinge.

Replace Right-Hand Refrigerator Door

- Set right-hand door onto middle hinge pin.
- Insert top hinge pin into open hole in top of refrigerator door.
- Using four 5 mm socket screws, fasten hinge to cabinet. Do not tighten screws completely.

Replace Left-Hand Refrigerator Door

- Set left-hand door onto middle hinge pin.
- Using four 5 mm socket screws, fasten hinge to cabinet. Do not tighten screws completely.
- Reconnect electrical wiring.
 - Push together two sections of wiring plug.
 - Reconnect earth wire to hinge screw.

Final Steps

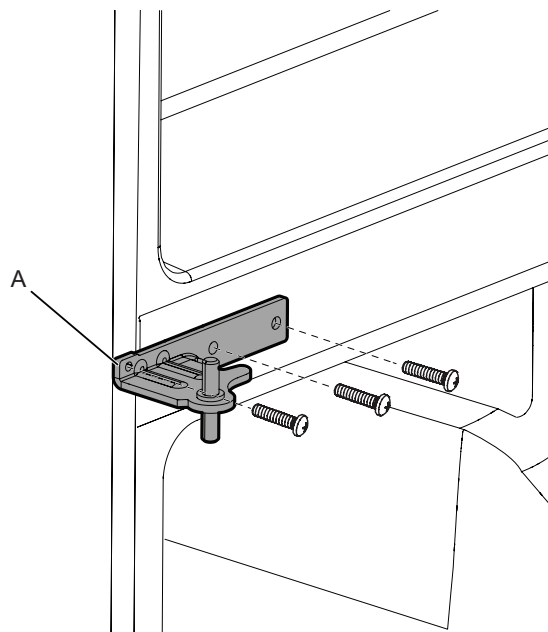
- Completely tighten eight 5 mm socket screws.
- Replace top hinge covers.

Remove and Replace Freezer/ Flexible Temperature Zone Door

- Keep freezer doors closed until you are ready to lift them free from cabinet.

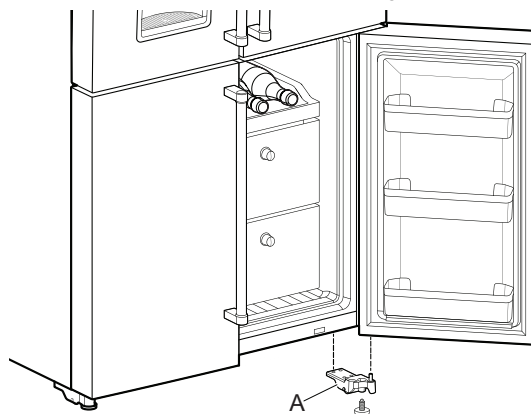
NOTE: Provide additional support for freezer door while hinges are being removed. Do not depend on door gasket magnets to hold door in place while you are working.

- Using a #2 Phillips screwdriver and 6 mm socket wrench to remove middle hinge from cabinet.



A. Middle hinge

- Lift freezer door from the bottom hinge pin.



A. Bottom hinge

Final Steps

⚠ WARNING



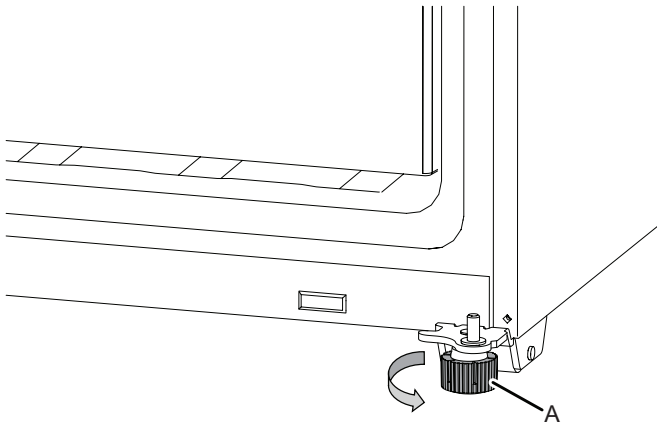
Electrical Shock Hazard

- Plug into a grounded 3 prong outlet.
- Do not remove ground prong.
- Do not use an adapter.
- Do not use an extension cord.
- Failure to follow these instructions can result in death, fire, or electrical shock.

1. Plug into an grounded (earthed) socket.
2. Return all removable parts and food to the drawers.

Refrigerator Levelling

1. Move refrigerator to its final location.
2. Using hand, rotate the brake feet. Turn them counterclockwise until the rollers are off the floor and both brake feet are snug against the floor. This keeps refrigerator from rolling forward when opening the doors.



A. Brake feet

IMPORTANT: If you need to make further adjustments involving brake feet, you must turn both brake feet same amount to keep the refrigerator level.

3. Use a level to make sure refrigerator is level from side to side and front to back.

Water Supply Requirements

A cold water supply with water pressure between 20 psi and 145 psi (138 kPa and 1,000 kPa) is required to operate the water dispenser and ice maker. If you have questions about your water pressure, call a licensed, qualified plumber.

NOTE: If the water pressure is less than what is required, the flow of water from the water dispenser could decrease or ice cubes could be hollow or irregular shaped.

Reverse Osmosis Water Supply

IMPORTANT: The pressure of the water supply coming out of a reverse osmosis system and supplying the water inlet valve of the refrigerator needs to be between 20 psi and 145 psi (138 kPa and 1,000 kPa).

If a reverse osmosis water filtration system is connected to your home cold water supply, the water pressure to the reverse osmosis system needs to be a minimum of 40 psi to 60 psi (276 kPa to 414 kPa).

- Check to see whether the sediment filter in the reverse osmosis system is blocked. Replace the filter if necessary.
- Allow the storage tank on the reverse osmosis system to refill after heavy use. The tank capacity could be too small to keep up with the requirements of the refrigerator.
NOTE: Faucet-mounted reverse osmosis systems are not recommended.
- If your refrigerator has a water filter, it may further reduce the water pressure when used in conjunction with a reverse osmosis system. Remove the water filter. See the “Water Filtration System” section.

If you have questions about your water pressure, call a licensed, qualified plumber.

Connect the Water Supply

Read all directions before you begin.

IMPORTANT:

- Connect to a potable water supply only.

Do not use with water that is microbiologically unsafe or of unknown quality without adequate disinfection before or after the system. Systems certified for cyst reduction may be used on disinfected waters that may contain filterable cysts.

- Plumbing shall be installed in accordance with the International Plumbing Code and any local codes and ordinances.
- Copper and PEX tubing connections from the household water line to the refrigerator are acceptable and will help avoid off-taste or odor in your ice or water. Check for leaks. If PEX tubing is used instead of copper, we recommend the following Part Numbers: W10505928 (7 ft [2.14 m] jacketed PEX), 8212547 (5 ft [1.52 m] PEX), or W10267701 (25 ft [7.62 m] PEX).
- Install tubing only in areas where temperatures will remain above freezing.

Tools Needed:

Gather the required tools and parts before starting installation.

- Flat-blade screwdriver
- 7/16" and 1/2" open-end wrenches or 2 adjustable wrenches
- 1/4" nut driver

NOTE: Do not use a piercing-type or 3/16" (4.76 mm) saddle valve, which reduces water flow and clogs easier.

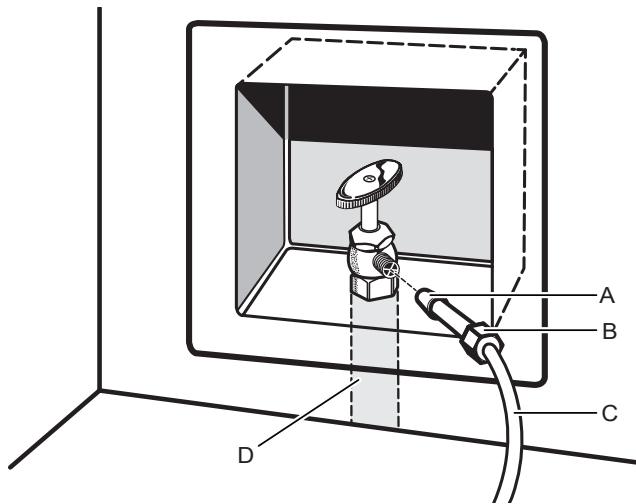
Connect to Water Line

IMPORTANT: If you have turned the refrigerator on before the water was connected, turn off the ice maker.

1. Unplug refrigerator or disconnect power.
2. Turn off main water supply. Turn on nearest faucet long enough to reduce water pressure in the water line.

- Use a 3/4"-14" shut-off valve or equivalent. The refrigerator is provided with a household supply line with the installation kit that connects to the shut-off valve and to the refrigerator.

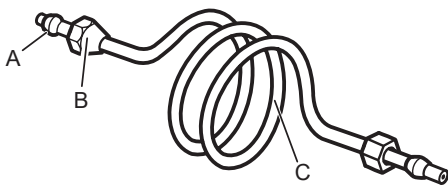
NOTE: Appliance is equipped with a water installation kit. To assure proper connection to your water supply, use proper sealing material in the connection. Check if connection is sealed properly after some hours of operation.



A. Sleeve
B. Nut
C. Copper tubing (to refrigerator)
D. Household supply line

- Now you are ready to connect the copper or PEX tubing to the shutoff valve. Use 1/4" (6.35 mm) O.D. (outside diameter) soft copper or PEX tubing to connect the shutoff valve and the refrigerator.

- Ensure that you have the proper length needed for the job. Be sure both ends of the copper tubing are cut square.
- Slip compression sleeve and compression nut onto copper tubing as shown. (PEX tubing has compression sleeves and compression nuts preinstalled.) Insert end of tubing into outlet end squarely as far as it will go. Screw compression nut onto outlet end with adjustable wrench. Do not overtighten.



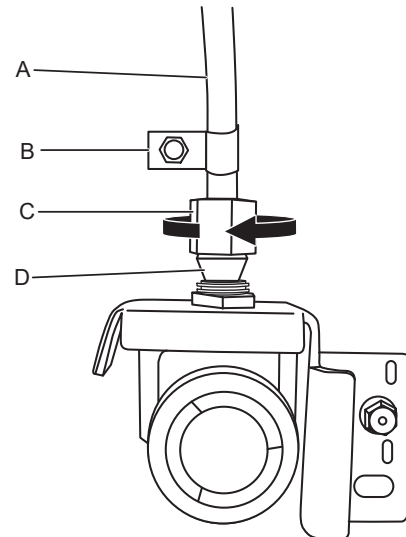
A. Compression sleeve
B. Compression nut
C. Copper tubing

- Place the free end of the tubing into a container or sink, and turn on main water supply to flush out tubing until water is clear. Turn off shutoff valve on the water pipe.
NOTE: Always drain the water line before making the final connection to the inlet of the water valve, to avoid possible water valve malfunction.
- Bend the copper tubing to meet the water line inlet, located on the back of the refrigerator cabinet as shown. Leave a coil of copper tubing to allow the refrigerator to be pulled out of the cabinet or away from the wall for service.

Connect to Refrigerator

Follow the connection instructions specific to your model.

- Remove plastic cap from water valve inlet port. Attach the copper tubing to the valve inlet using a compression nut and sleeve as shown. Tighten the compression nut. Do not overtighten. Confirm copper tubing is secure by pulling on copper tubing.
- Create a service loop with the copper tubing. Avoid kinks when coiling the copper tubing. Secure copper tubing to refrigerator cabinet with a "P" clamp.



A. Copper tubing
B. "P" clamp
C. Compression nut
D. Compression sleeve

- Turn on water supply to refrigerator and check for leaks. Correct any leaks.
- If ice is desired, turn on the ice maker.

NOTE: Allow 24 hours to produce the first batch of ice. Discard the first three batches of ice produced. Allow three days to completely fill the ice storage bin.

Handle Installation and Removal

Parts Included: refrigerator door handles (2), freezer drawer handle (2), 1/8" (3.18 mm) and 3/32" hex key, spare setscrew(s)

NOTE: The freezer drawer handle is shorter than the refrigerator door handles. Handle style may vary by model.

Install Handles

NOTE: The handle kit is provided with instructions to install the handles in the doors. Please follow it carefully.

FILTERS AND ACCESSORIES

Water Filtration System

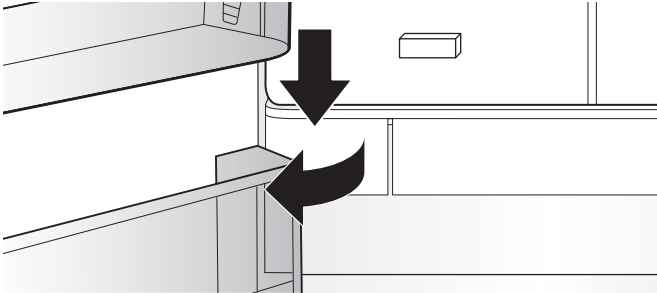
Do not use with water that is microbiologically unsafe or of unknown quality without adequate disinfection before or after the system. Systems certified for cyst reduction may be used on disinfected waters that may contain filterable cysts.

Replace and Install the Water Filter

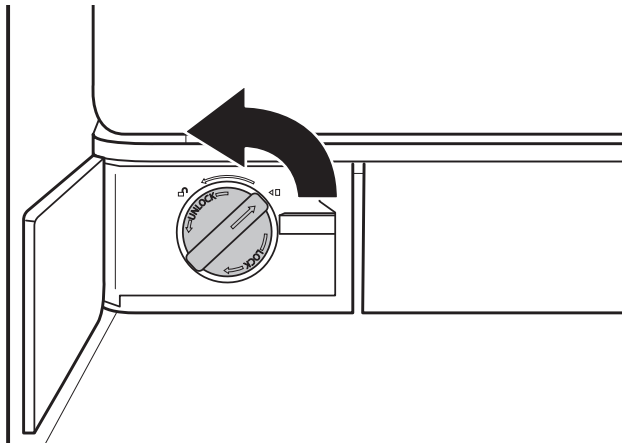
The water filter should be replaced every 6 months based on a flow rate of 0.50 gpm-0.60 gpm (1.89 lpm-2.27 lpm) that filters 200 gallons (757 L) of water.

To order a replacement filter, contact us. See the "Accessories" section in the Use and Care Guide for information on ordering.

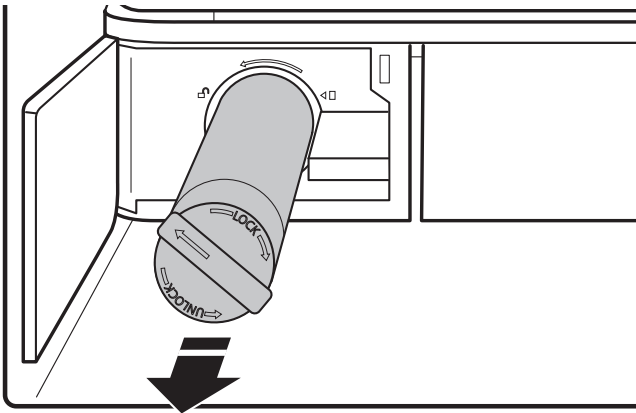
1. Push the water filter door to open, located bottom left of refrigerator compartment.



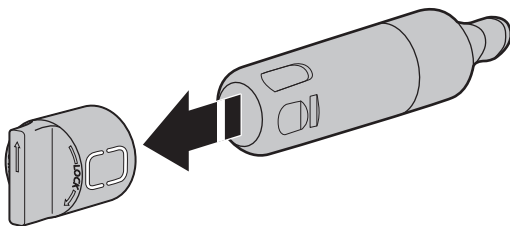
2. Twist the water filter and turn 90° counterclockwise to unlock.



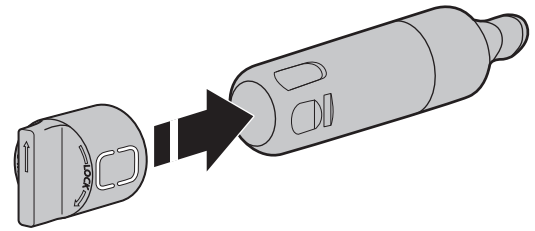
3. Pull the filter out of the housing.



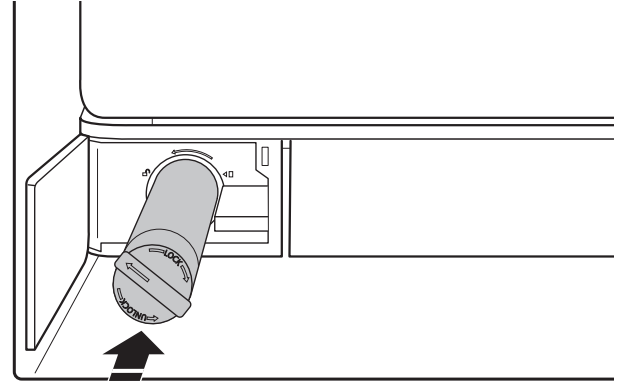
4. Remove the water filter cap from the water filter being replaced.



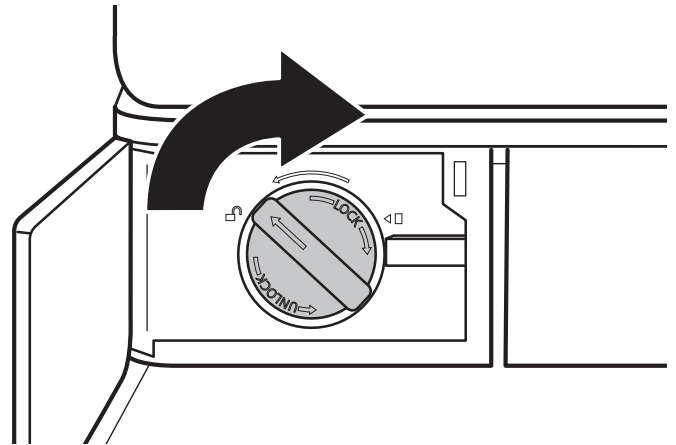
5. Install the water filter cap onto the new filter. Be sure to align the arrows so the grooves in the filter align with ribs in the filter cap.



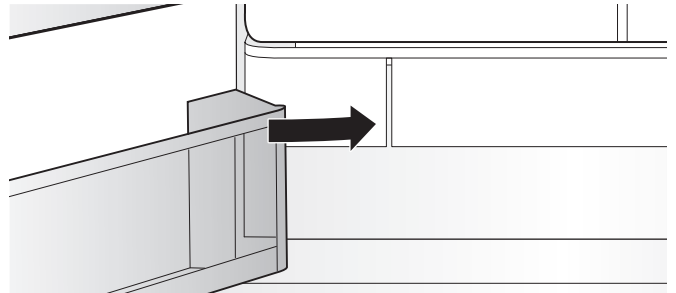
6. Insert the filter into the housing.



7. Twist the water filter and turn 90° clockwise until it locks into place and the arrows are aligned.



8. Push the water filter door closed.

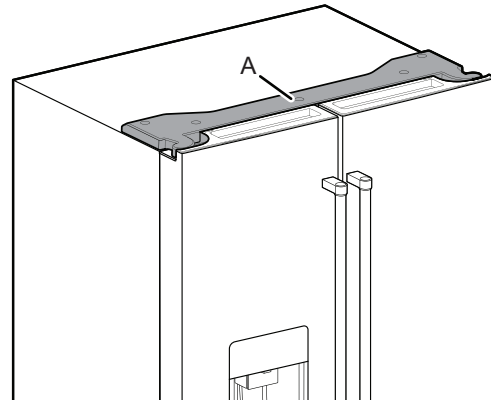


9. Reset the filter counter via user interface. See the procedure to reset the filter in the User Control section.

The Water Filter Status Lights

The Water Filter status lights will help you know when to change your water filter.

- **ORDER FILTER** (yellow) - It is almost time to change the water filter. "Order Filter" display is ON all of the time but OFF in Showroom mode.
- **REPLACE FILTER** (red) - Replace the water filter. While you are dispensing water, "Replace Filter" will blink 7 times and an alert tone will sound 3 times.
NOTE: "REPLACE FILTER" will remain illuminated if the filter is not reset on the user interface (UI).
- **RESET FILTER** - Touch "Filter Reset" button for 3 seconds to reset water filter. The display will do a 3-second countdown, then flash the icon and play a tone.



A. Hinge cover

Accessories

See your Quick Start Guide for Online Ordering Information.

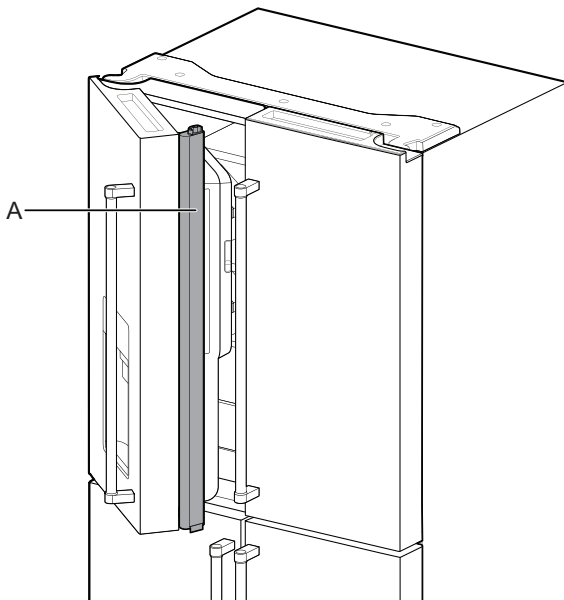
REFRIGERATOR USE

Opening and Closing Doors

There are two fresh food compartment doors. The doors can be opened and closed either separately or together. There is a vertically hinged seal on left refrigerator door.

- When left-side door is opened, hinged seal automatically folds inward so that it is out of the way.
- When both doors are closed, the hinged seal automatically forms a seal between two doors.

NOTE: When closing the door, the hinged seal should be in correct position (be bent inside). Otherwise it will hit the right door or the fixing shaft.



A. Hinged seal

The fresh food compartment door switch is located in top left and right hinge cover.

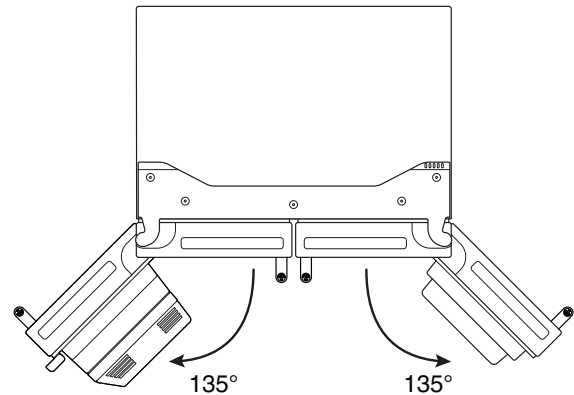
- For Freezer and Convertible Space, door switch is located in the bottom mullion.
- The door switch uses magnet to sense door opening/closing.
- Ensure there are no magnet or electronic devices (Speaker, Coolvox® etc.) within 7.62 cm of the hinge cap.

NOTE: The light will not turn on if door opening is not detected.

Shelf Height Adjustment

Shelf height can be adjusted by changing its location from bottom support to upper support and vice versa.

- Open right side door and left side door till 130°.



The Ice Dispenser

IMPORTANT:

- If the ice cubes are hollow or have an irregular shape, it could be because of low water pressure. See the "Water Supply Requirements" section.
- Ice travels from the ice storage bin through the dispenser chute to the dispenser. To turn off the ice maker, see the "Ice Maker and Storage Bin" section.
- The dispenser may continue to make noise and ice may continue to dispense for several seconds after releasing the dispenser button or paddle.

To Clean the Ice Dispenser Chute:

Humidity causes ice to naturally clump together. Ice particles can build up until the ice dispenser chute becomes blocked.


If ice is not dispensed regularly, it may be necessary to empty the ice storage bin and clean the ice delivery chute, the ice storage bin, and the area beneath the storage bin every 2 weeks.

- If necessary, remove the ice clogging the storage bin and delivery chute using a plastic utensil.
- Clean the ice delivery chute and the bottom of the ice storage bin using a warm, damp cloth, and then dry thoroughly.

To Dispense Ice - Paddle Dispensing

1. Select the desired type of ice by pressing CUBED ICE or CRUSHED ICE.

⚠ WARNING



Cut Hazard

Use a sturdy glass when dispensing ice.

Failure to do so can result in cuts.

2. Press a sturdy glass against the dispenser paddle. Hold the glass close to the dispenser opening, so ice does not fall outside of the glass.

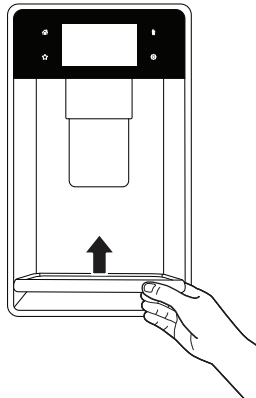
IMPORTANT: You do not need to apply a lot of pressure to the paddle to activate the ice dispenser. Pressing hard will not make the ice dispense faster or in greater quantities.
3. Remove the glass to stop dispensing.

NOTE: Ice may continue to dispense for several seconds after removing the glass from the dispenser paddle. The dispenser may continue to make noise for a few seconds after dispensing.

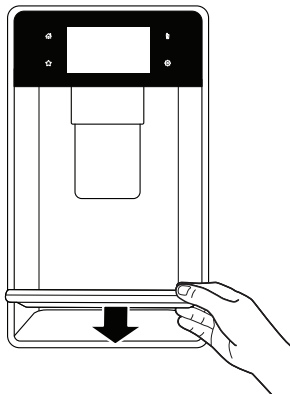
The Dispenser Drip Tray

The drip tray can be removed for cleaning. Start the following steps from the pulled in position.

- Lift up on the front edge of the tray and pull forward to remove.



- Pull the tray out angled to the top front direction.



To install it back follow the two steps below.

- Position the tray horizontally on the rails with some space at the rear part.
- Push downward and pull towards you to engage to the rail.

The drip tray can be pulled out to accommodate larger containers for measured fill.





The Dispenser Light

1. When you use the dispenser, the light will automatically turn on.

Using the Controls

This manual covers several models. Your model may have some or all of the items listed.



| Keypad | Feature | Instructions |
|--|----------------------------|--|
| Tools  | Refrigerator Use Functions | Enables you to personalize the audible tones and refrigeration operation to suit your needs. See the "Tools" and "More Modes" sections. |
| Home  | Home Screen | If pressed once, it enables the user to return to the Home screen. The Home screen will time out after 2 minutes and display the Clock. |
| Favorites  | Favorites | The Favorites key allows the user to save the water amount that they use on a frequent basis. The user can also access the their Favorites saved based on time of day. |
| Ice  | Ice Function | Toggle between crushed ice and cubed ice. |

NOTE: The user may notice brighter areas of the LCD backlight toward the bottom of the LCD User Interface. This is normal, and shall only be visible during the first 30 seconds of the product start up.

Touch Panel

The touch panel houses the control menu and function controls. The touch keypads are very sensitive and require only a light touch to activate. Scroll up, down, left, or right to explore the different options and features.

For more information about the individual controls, see their respective sections in this manual.

Display

The display is for both the menu and refrigerator function controls. The touchscreen allows you to scroll through the refrigerator menus. The display is very sensitive and requires only a light touch to activate and control.

After approximately 2 minutes of inactivity, the display will go into sleep mode and the display will dim. When the refrigerator is in operation, the display will remain bright.

During use, the display will show menus and the appropriate selections for the options being chosen.

Demo Mode

To Enter Demo Mode, go to the **Info** section under **Settings** and select **Demo**. The user will be asked to confirm entry into Demo Mode. Once in Demo, the HMI will start to display marketing videos.

WARNING: While in Demo Mode, the product will not cool.

To Exit Demo Mode, touch the Screen to stop the video playing. The user will then be given the option to **Try the Product or Watch the Video**.

The User shall then Select **Try the Product**, after which the screen shall navigate to the Home Screen. The user should then navigate the **Info** section under **Settings** and select **Demo**. The user will be asked to confirm exit from Demo Mode. The User Interface shall then navigate back to the Home Screen.

Tools

The Tools keypad allows you access to functions and customization options for your refrigerator. These tools allow you to set the clock, change the temperature between Fahrenheit and Celsius, turn the audible signals and prompts on and off, change the language, and more.

Select the Tools keypad to view the Tools features:

- Kitchen Timer
- Water Filter
- Pure Control
- Control Lock
- Mute
- Light

See the “More Modes” section for more information.

| Tool | Notes |
|----------------------|---|
| Kitchen Timer | Set a kitchen timer by manually entering the desired time into the keypad. <ol style="list-style-type: none">1. Select KITCHEN TIMER.2. Manually input the time to the desired timer length.3. Select START.4. Select CANCEL to end the Kitchen Timer. |
| Water Filter | Displays the status of the filter. To Reset Filter: <ol style="list-style-type: none">1. Select INSTALL NEW, and follow instructions on screen to reset.2. Follow instructions in the “Filter” menu to purchase filter. |
| Control Lock | The Control Lock shuts down the control panel keypads to avoid unintended use of the refrigerator. The Control Lock will remain set after a power failure. When the control is locked, the user shall be unable to use any buttons or dispenser paddles. To Lock or Unlock Control: To Lock the user interface, navigate to Control Lock section under the Settings . To Unlock, follow the instructions on the screen by “Scrolling up to unlock.” |
| Mute | Select MUTE to mute or unmute the refrigerator sounds. |
| Light | Select LIGHT to turn the dispenser light on and off. |

Preferences

Times and Dates

Set time and date preferences.

NOTE: If user is connected to Wi-Fi, time and date will be set automatically.

Sound Volume

Set sound volume preferences.

- Timers and Alerts
- Buttons and Effects

Display Settings

- Display Brightness

The user shall have the option to set the screen brightness.

- Eco Mode:

The user shall also have the option to set their preferred display mode option while the user interface is in standby mode. The user can set the display mode under the **Eco Mode** section in **Display Settings**.

NOTE: If Eco Mode is selected, the display screen shall turn off completely. The screen can be woken up by touching any location on the display, or pressing the water or ice paddle.

Favorites

The Favorites feature stores your favorite amounts of water dispensed.

Regional

Set regional preferences.

- **Language:** The user shall have the option between 21 languages.
- **Temperature Units:** Fahrenheit and Celsius.

Info

- **Service and Support:** Displays model number, Customer Support contact info, and Diagnostics.
- **Demo Mode:** Select Store Demo Mode to toggle Demo mode off and on.

See the "Using the Controls" section for more information.

Viewing and Adjusting Temperature Set Points

For your convenience, your refrigerator and freezer controls are preset at the factory.

When you first install your refrigerator, make sure that the controls are still set to the recommended set points. The factory recommended set points are 37°F (3°C) for the refrigerator and 0°F (-18°C) for the freezer as well as 0°F (-18°C) for the convertible compartment.

IMPORTANT:

- Wait 24 hours before you put food into the refrigerator. If you add food before the refrigerator has cooled completely, your food may spoil.
NOTE: Adjusting the set points to a colder-than recommended setting will not cool the compartments any faster.
- If the temperature is too warm or too cold in the refrigerator or freezer, first check the air vents to be sure they are not blocked before adjusting the controls.
- The recommended settings should be correct for normal household use. The controls are set correctly when milk or juice is as cold as you like and when ice cream is firm.
NOTE: Areas such as a garage, basement, or porch may have higher humidity or extreme temperatures. You may need to adjust the temperature away from the recommended settings to accommodate for these conditions.
- Wait at least 24 hours between adjustments. Recheck the temperatures before other adjustments are made.

View and Change Temperature Set Points

1. Temperature adjustment is available under **Cooling Functions > Temperatures**.
2. You will be able to view or adjust: Refrigerator, Freezer, and convertible compartment.

Recommended Refrigerator Temperature



Recommended Freezer Temperature



Adjust Temperature Set Points

Refrigerator set point range: 33°F to 42°F (0.5°C to 5.5°C)

Freezer set point range: -5°F to 5°F (-21°C to -15°C)

When adjusting temperature set points, use the following chart as a guide:

| CONDITION: | TEMPERATURE ADJUSTMENT: |
|-----------------------|----------------------------------|
| Refrigerator too cold | Refrigerator, 1 set point higher |
| Refrigerator too warm | Refrigerator, 1 set point lower |
| Freezer too cold | Freezer, 1 set point higher |
| Freezer too warm | Freezer, 1 set point lower |

More Modes

Fast Freeze

The Fast Freeze feature increases the cooling for approximately 50 hours. The duration varies for different models.

To enable Fast Freeze, navigate to the **Fast Freeze** section under **Cooling Functions**. When turned on, the freezer compartment will cool down faster than normal.

When enabled, the Fast Freeze icon shall be displayed on the clock screen, and shall show how much time is remaining before Fast Freeze is disabled. Pressing the icon shall navigate to the Fast Freeze screen where you can disable the feature.

To disable Fast Freeze, navigate to the **Fast Freeze** section under **Cooling Functions**. Adjusting the Freezer temperature shall automatically turn off the Fast Freeze feature.

NOTE: Setting the freezer to a colder temperature may make some foods, such as ice cream, harder.

Fast Cool

The Fast Cool feature assists with periods of high refrigerator use, full grocery loads, or temporarily warm room temperatures. This feature will be enabled for approximately 2 hours. The duration varies for different models.

- To enable Fast Cool navigate to the **Fast Cool** section under **Cooling Functions**. When turned on, the refrigerator compartment will cool down faster than normal.
- When enabled, the Fast Cool icon shall be displayed on the clock screen, and shall show how much time is remaining before Fast Freeze is disabled.
- Pressing the icon shall navigate to the Fast Cool screen where you can disable the feature.
- To disable Fast Cool, navigate to the **Fast Cool** section under **Cooling Functions**. Adjusting the Refrigerator temperature shall automatically turn off the Fast Cool feature.

NOTE: Setting the refrigerator to a colder temperature may make some foods, such as ice cream, harder.

Water Filter Reset

Displays the status of the water filter.

NOTE: During dispensing, the user interface shall let the user know when it is time to change the water filter.

To change the filter, go to Tools > Water Filter.

To Reset Filter:

1. Select **INSTALL NEW**, and follow instructions on screen to reset.
2. Follow instructions in the "Filters and Accessories" section to purchase filter.

No Freezer Burn Feature

This feature minimizes moisture migration from frozen food. This feature will sub-cool the freezer compartment prior to defrost in order to reduce temperature variation. This feature will be enabled for a maximum of 2 hours prior to defrost.

Vacation Mode

While in Vacation mode, the Refrigerator compartment will run more efficiently in order to save energy while you are away. Adjusting the Refrigerator temperature shall automatically turn off the Vacation Mode feature. By selecting this function the temperature of the fresh food compartment will automatically be set to a colder temperature. This feature is not applicable to the Freezer and variable temperature compartments.

A door ajar alert shall automatically turn off the Holiday Mode feature.

IMPORTANT: When Vacation Mode is enabled, water and ice dispensing are disabled.

NOTE: The user can choose to turn off cooling by putting the refrigerator in Demo mode.

See the “Using the Controls” section for more information.

Door Ajar Alarm

The Door Ajar Alarm feature sounds an alarm when the refrigerator door(s) or freezer drawer is open for 5 minutes and cooling is turned on. The alarm will repeat every two minutes. Close all doors to turn it off.

Special Occasions

Will temporarily turn on Fast Cool to lower your refrigerators temperature and quickly chill new food.

Having a Party

Will temporarily turn on Fast Freeze and Fast Cool to help lower your refrigerators during frequent door openings.

Marinating Some Meat

Allows the user to start a timer to track the meat marinating. User will be able to select timer based on recommendation given on screen.

Chilling Beverage In Freezer

Set a timer of 25 minutes so that user does not forget beverage in the freezer.

Clean Inside the Fridge

Temporarily turns off Cooling and Door Ajar for 30 minutes to allow the user to clean their fridge.

Lighting the Refrigerator

The refrigerator has an interior light that comes on any time the door is opened.

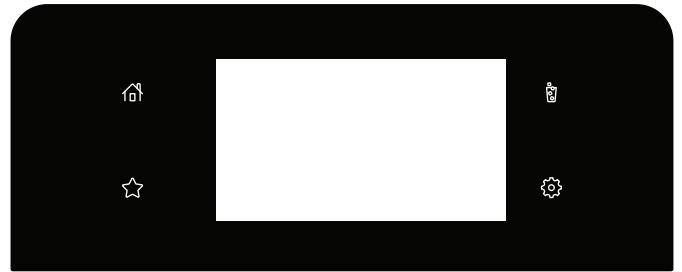
NOTE: If the LED does not illuminate when the door is opened, call Service to replace the light.

Icons

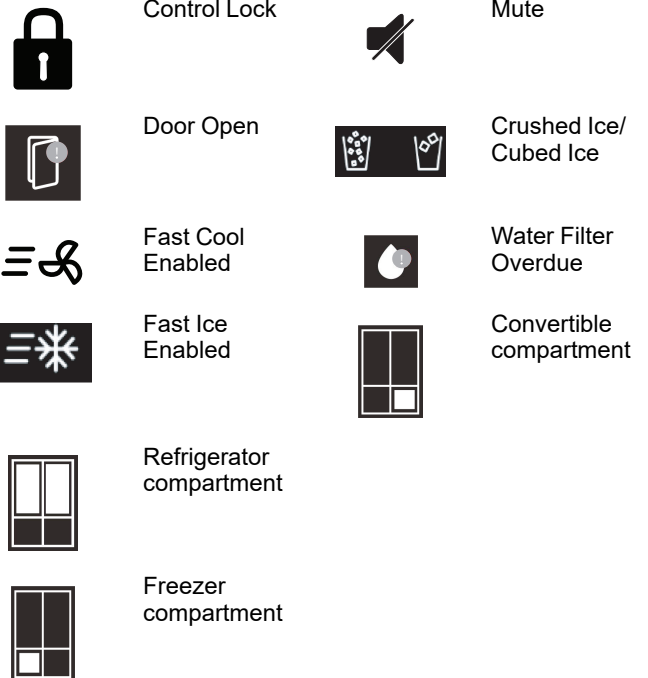
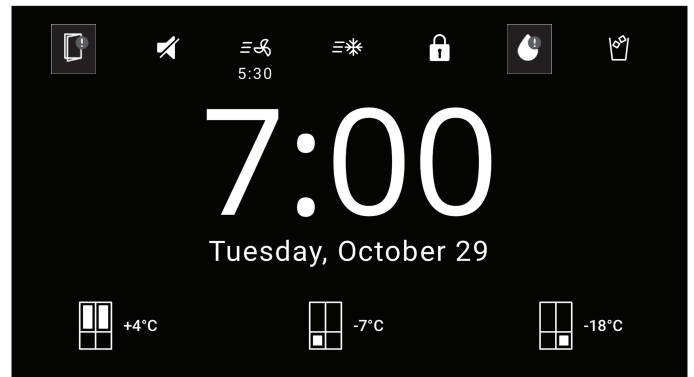
Clock screen also displays status icons. Touching these icons also navigates to respective setting.

To adjust the Display Mode, the user shall navigate to the Display Settings section under Preferences.

Display Mode: Eco Mode



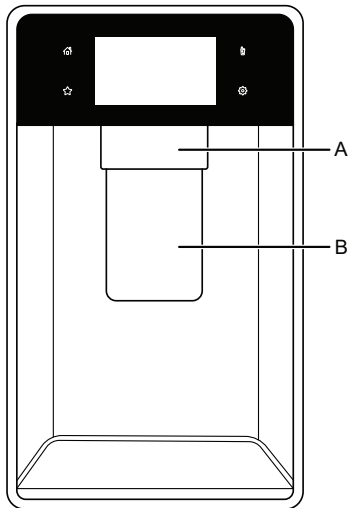
Display Mode: Clock Screen



Water and Ice Dispensers

IMPORTANT:

- Allow 3 hours for the refrigerator to cool down and chill water.
- Allow 24 hours to produce the first batch of ice. Discard the first 3 batches of ice produced.
- The dispensing system will not operate if the left-hand refrigerator door is open.



A. Water dispenser paddle
B. Ice dispenser paddle

Flush the Water System

Air in the water dispensing system can cause the water dispenser to drip. After connecting the refrigerator to a water source or replacing the water filter, flush the water system.

Flushing the water dispensing system forces air from the water line and filter and prepares the water filter for use. Additional flushing may be required in some households.

NOTE: As air is cleared from the system, water may spurt out of the dispenser.

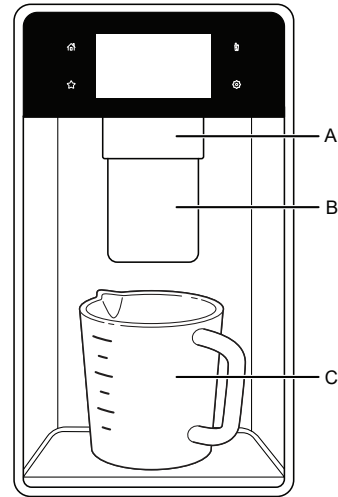
1. Using a sturdy container, depress and hold the water dispenser paddle for 5 seconds.
2. Release the dispenser paddle for 5 seconds. Repeat steps 1 and 2 until water begins to flow.
3. Once water begins to flow, continue depressing and releasing the dispenser pad (5 seconds on, 5 seconds off) until a total of 3 gallons (12 L) has been dispensed.

Dispensing Calibration

Household water pressure may affect the accuracy of the Measured Fill feature. So, for optimum performance of your water dispenser, you must first calibrate Measured Fill.

IMPORTANT:

- Flush the water system before calibrating Measured Fill.
 - For best results, calibration should be performed when water is not being used in the house.
1. Place a sturdy measuring cup (1-cup [0.2 L] size) on the dispenser tray centered in front of the ice/water dispenser paddle.
NOTE: Depending on your model, a measuring cup may be provided.



A. Water dispenser paddle
B. Ice dispenser paddle
C. Measuring cup (1 cup)

Ensure that you do not have any Measured Fill preset selected.

2. To Calibrate your water, navigate to the **Dispensing Calibration** section under **Tools/Setup**. Calibration can also be accessed by the user during the unboxing sequence when the product is first powered on.
3. Press and hold the water dispenser paddle, as needed, to dispense water to the 1-cup fill line in the measuring cup.
NOTE: If overfilling or spilling occurs, discard the water and restart the calibration process.
4. When 1 cup of water has been correctly dispensed into the measuring cup, touch OK to confirm the calibration.

Dispensing

Touch CUBED ICE or CRUSHED ICE for your ice selection.

NOTES:

- For crushed ice, cubes are crushed before being dispensed. This may cause a slight delay when dispensing crushed ice. Noise from the ice crusher is normal and pieces of ice may vary in size.
- When changing from crushed to cubed, a few ounces of crushed ice will be dispensed along with the first cubes.

Dispensing Water

IMPORTANT:

- Dispense at least 1 quart (1 L) of water every week to maintain a fresh supply.
- If the flow of water from the dispenser decreases, it could be caused by low water pressure.
 - With the water filter removed, dispense 1 cup (0.2 L) of water. If 1 cup (0.2 L) of water is dispensed in 8 seconds or less, the water pressure to the refrigerator meets the minimum requirement.
 - If it takes longer than 8 seconds to dispense 1 cup (0.2 L) of water, the water pressure to the refrigerator is lower than recommended. See the "Water Supply Requirements" and "Troubleshooting" sections for suggestions.

To Dispense Water - Standard:

1. Press a sturdy glass against the water dispenser paddle.
2. Remove the glass to stop dispensing.

To Dispense Water - Measured Fill:

Measured Fill allows you to dispense a specified amount of water with the touch of a few buttons.

1. Put a sturdy glass under water spout. Touch MEASURED FILL to activate.
NOTE: The amount of water you select will be dispensed. Make sure the container can hold the entire volume. If ice is in the container, you may need to adjust your selection.
2. Touch DISPENSE or press paddle and the selected amount of water will be dispensed.

NOTE: Most coffee cups (commonly 4 to 6 oz [118 to 177 mL] per cup) are not the same size as a measuring cup (8 oz [0.2 L]). You may need to recalibrate Measured Fill to underfill or to avoid unintentionally overfilling coffee cups.

3. Dispense water.
NOTE: While dispensing water, the flow of water will automatically stop once the desired volume has been dispensed.
 - Press a sturdy glass against the dispenser paddle below the water spout.

OR

- Place the glass below the water spout and touch DISPENSE WATER for hands-free dispensing.
4. To pause dispensing before the selected volume has been dispensed, press pause button on screen.
NOTE: If you stop dispensing before the desired volume has been dispensed, the display will turn off after 1 minute. If you have not resumed by then, it will reset back to the original amount.

Ice Maker and Storage Bin

IMPORTANT: To avoid low ice production and poor quality ice, flush the water system before turning on the ice maker. See the "Water Dispenser" section.

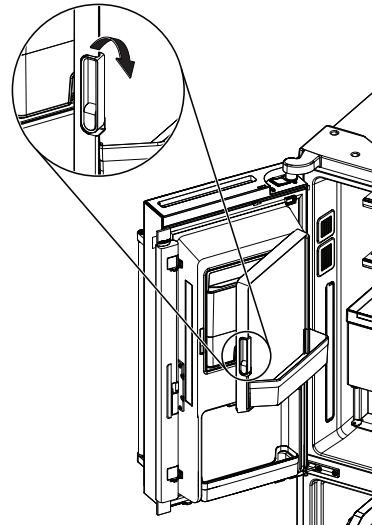
- Following installation, allow 24 hours to produce the first batch of ice. Discard the first 3 batches of ice produced. Allow 2 to 3 days to fill the ice storage bin.
- The quality of your ice will be only as good as the quality of the water supplied to your ice maker. Avoid connecting the ice maker to a softened water supply. Water softener chemicals (such as salt) can damage parts of the ice maker lead to poor quality ice. If a softened water supply cannot be avoided, make sure the water softener is operating properly and is well maintained.
- If the ice in the storage bin clumps together, break up ice using a plastic utensil and discard. Do not use anything sharp to break up the ice. This can cause damage to the ice bin and the dispenser mechanism.
- Do not store anything in the ice storage bin.

Style 1 - Ice Maker in the Refrigerator

The ice maker is located on the left door behind the bins. Ice cubes are ejected into the ice storage bin located on the left-hand refrigerator door.

Remove and Replace the Ice Storage Bin

To open the Ice Maker box, pull the ice maker door lever until the door releases.



- Remove the ice storage bin by inserting your fingers into the hole at the base of the bin and pulling the latch to release the bin from the compartment. Lift the storage bin up and pull it straight out.
- Replace the storage bin inside the ice compartment and push down to make sure it is firmly in place.

Ice Production Rate

- Your ice maker should produce approximately 3.5 lbs (1.6 kg) of ice per day under normal operation.

Turn the Ice Maker On/Off

- To Turn on your Ice Maker, navigate to the **Ice maker** section under **Tools/Setup**.
- To Turn off your Ice Maker, navigate to the **Ice maker** section under **Tools/Setup**.

NOTE:

- Your ice maker has an automatic shutoff. The sensor will automatically stop ice production if the storage bin is full or the door is open. The control will remain in the On position.

SHELVES, BINS, AND DRAWERS

Shelves and Shelf Frames

The shelves in your refrigerator are adjustable to meet your individual storage needs.

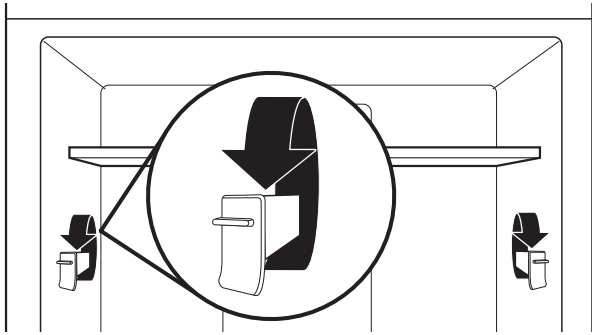
Storing similar food items together in your refrigerator and adjusting the shelves to fit different heights of items will make finding the exact item you want easier. It will also reduce the amount of time the refrigerator door is open and save energy.

Shelf Height Adjustment

Shelf height can be adjusted by changing the adjustable shelf mounts between their vertical and horizontal positions.

1. Carefully lift the shelf off the shelf mounts and turn the flipper to the desired orientation.
2. Repeat for remaining shelf mounts.

3. Apply pressure to the top of the shelf to ensure the shelf is properly seated on the shelf mounts.



NOTE:

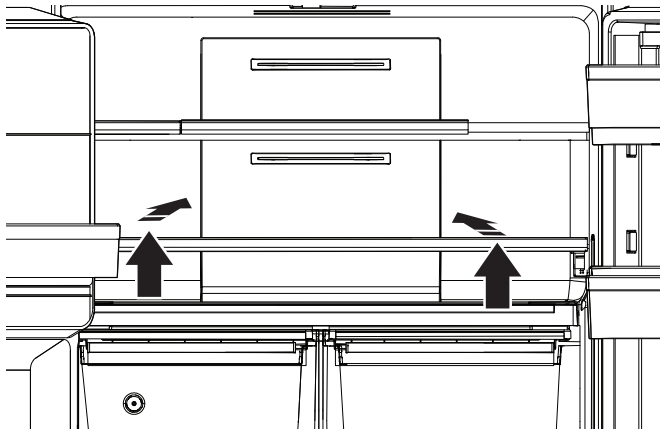
- You will need to remove middle shelf first before removing top shelf.

4. Remove the bottom shelf by lifting it up and out of the shelf supports. Then pull the shelf forward and tilt up to a vertical position. Turn the shelf at an angle and pull out of the refrigerator.
5. Replace the bottom shelf by putting the shelf in the refrigerator at an angle with the shelf up. Lift the front of the shelf down and in until rear shelf drops into the shelf supports. Lower the front of the shelf and make sure that the shelf is in position.

Slide-Away Split Shelf

Some shelves will tuck away to create room for taller objects.

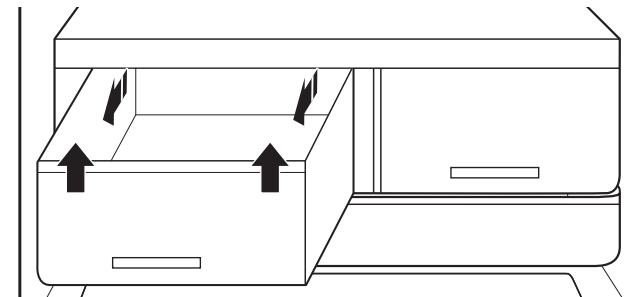
1. To retract the front section of the shelf, push the adjustable portion of the shelf as far back as needed toward the rear of the refrigerator.
2. Extend the front glass and front trim of the shelf by pulling the retracted portion of the shelf outward until it is fully extended.



Crisper Drawers

To remove and replace the drawers:

1. Grasp the handle at the bottom of the drawer and slide the drawer straight out to the stop. Lift the drawer off the bottom guide.
2. Replace the drawer by placing it on the bottom drawer guide and pushing it past the drawer stop into position.

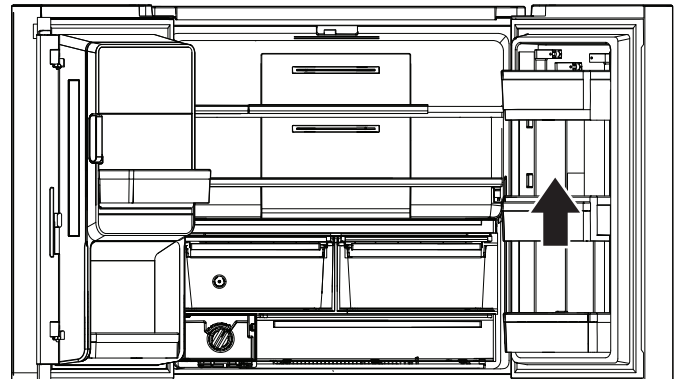


Refrigerator Door Bins

The bins on your refrigerator door are adjustable to meet your individual storage needs. The bins make it easy to customize door storage to hold gallon containers.

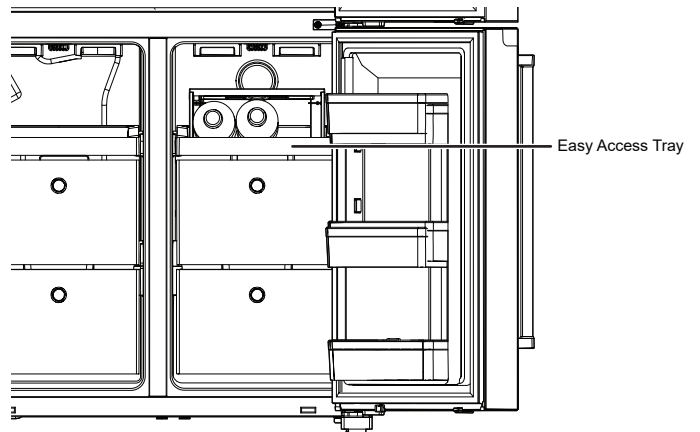
Door Bin Divider (on some models)

This divider fits in the door bin to divide the bin and elevate smaller items at the back of the bin.



Freezer Storage Compartments

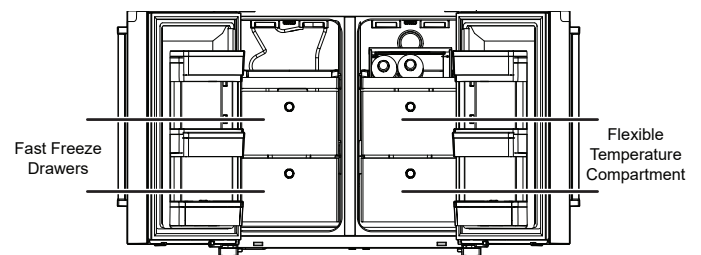
Easy Access Tray



Easy Access tray is useful to easily access frequently used products, freeze or simply store leftovers or small items.

Freezer Drawers

The bins on your freezer door are removable to meet your individual storage needs.



For maximum freezer capacity, you may remove the freezer drawer to expose the freezer shelf.

To remove the upper drawer:

1. Grasp handle of the drawer and slide drawer straight out to the stop. Lift drawer off the bottom guide.
2. Replace/putting back drawer stop into position.

Fast Freeze compartment

- Use this drawers to freeze a bigger amount of fresh or cooked food (in the best or in the fastest way).
- Fast Freeze option allows you to store all your frozen food safely and transparently.

NOTE: Freezer temperature might be cooled down to be same as Flexible Freezer Compartment temperature, when Freezer set to warmer than Flexible Freezer compartment.

Flexible Temperature Compartment


- Use this drawers to freeze a bigger amount of fresh or cooked food (in the best or in the fastest way).
- Use Flexible Temperature Compartment to store all kinds of food in the ideal preservation environment. Adjusting the settings it can be used to store wine (41°F), standard refrigerator (37°F), meat and fish (32°F), soft Freeze (19°F), and traditional Freezer (-15°F and less).

Wine Caddy

- Use these shelves to store and keep wine chilled.
- Adjust the temperature to store wine in the ideal preservation environment (41°F).

REFRIGERATOR CARE

Cleaning

| |
|---|
| ⚠WARNING |
|  |
| Explosion Hazard |
| Risk of Fire or Explosion. |
| Flammable Refrigerant Used. |
| Do Not Use Mechanical Devices to Defrost Refrigerator. |
| Do Not Puncture Refrigerant Tubing. |

All of the Refrigerator, Freezer and Convertible Space sections defrost automatically. However, clean all the sections about once a month to avoid build-up of odours. Wipe up spills immediately.

Exterior Cleaning

Please see the exterior cleaning information specific to your model.

Fingerprint-Resistant Stainless

IMPORTANT:

- Avoid exposing stainless steel appliances to caustic or corrosive elements such as high-salt, high-moisture, or high humidity environments. Damage due to exposure to these elements is not covered under the warranty.

| DO USE | DO NOT USE |
|---|---|
| <ul style="list-style-type: none">■ Soft, clean cloth | <ul style="list-style-type: none">■ Abrasive cloths■ Paper towels or newsprint■ Steel-wool pads |
| <ul style="list-style-type: none">■ Warm, soapy water with a mild detergent | <ul style="list-style-type: none">■ Abrasive powders or liquids■ Window sprays■ Ammonia■ Acidic or vinegar-based cleaners■ Oven cleaners■ Flammable fluids |

NOTES:

- If unintentional contact does occur, clean plastic part with a sponge and mild detergent in warm water. Dry thoroughly with a soft cloth.
- Avoid exposing stainless steel appliances to caustic or corrosive elements such as high-salt, high-moisture, or high-humidity environments. Damage due to exposure to these elements is not covered under the warranty.
- Just because a cleaner is a liquid does not mean it is nonabrasive. Many liquid cleansers formulated to be gentle on tile and smooth surfaces still damage stainless steel.
- When cleaning stainless steel, always wipe in the direction of the grain to avoid cross-grain scratching.
- Citric acid permanently discolors stainless steel. To avoid damaging the finish of your stainless steel refrigerator:
Do not allow these substances to remain on the finish:
 - Mustard
 - Tomato juice
 - Marinara sauce
 - Citrus-based sauces
 - Citrus-based products

Interior Cleaning

IMPORTANT: Refrigerator shelves with under-shelf, LED lighting are not dishwasher safe.

1. Unplug refrigerator or disconnect power.
2. Hand wash, rinse, and dry removable parts and interior surfaces thoroughly. Use a clean sponge or soft cloth and a mild detergent in warm water.

NOTE: Do not use abrasive or harsh cleaners such as window sprays, scouring cleansers, flammable fluids, cleaning waxes, concentrated detergents, bleaches, or cleansers containing petroleum products on plastic parts, interior and door liners, or gaskets.

3. Plug in refrigerator or reconnect power.

Condenser

This refrigerator has skin condenser on both sides of refrigerator. It is normal to feel warm on the sides.

Condenser Cleaning

⚠WARNING



Explosion Hazard

Risk of Fire or Explosion due to Puncture of Refrigerant Tubing.

Follow Handling Instructions Carefully.

Flammable Refrigerant Used.

There is no need for routine condenser cleaning in normal home operating environment. If the environment is particularly greasy or dusty or there is significant pet traffic in the home, the condenser should be cleaned every 6 months to ensure maximum efficiency.

1. Unplug refrigerator or disconnect power.
2. Remove the base grille.
3. Use a vacuum cleaner with a soft brush to clean the grille, the open areas behind the grille, and the front surface area of the condenser.
4. Replace the base grille when finished.
5. Plug in refrigerator or reconnect power.

NOTE: If you are unable to clean the condenser, please call for service.

Lights

The lights in both the fresh food and freezer compartments are LEDs. If the lights do not illuminate when the door is opened, contact the dealer from whom you purchased your refrigerator.

Holiday and Moving Care

Holidays

If You Choose to Leave the Refrigerator On While You're Away:

1. Use up any perishables and freeze other items.
2. If your refrigerator has an automatic ice maker, and is connected to the household water supply, turn off the water supply to the refrigerator. Property damage can occur if the water supply is not turned off.
3. If you have an automatic ice maker, turn off the ice maker.
 - Press the switch to Off (O) for the door ice maker.
4. Empty the ice bin.

If You Choose to Turn Off the Refrigerator Before You Leave:

NOTE: Put refrigerator in Demo Mode while on Holiday. See the "Using the Controls" section.

1. Remove all food from the refrigerator.
2. If your refrigerator has an automatic ice maker:
 - Turn off the water supply to the ice maker at least one day ahead of time.
 - When last load of ice drops, press the switch to Off (O) for display to be unlit on the top inside of the refrigerator, depending on your model.
3. Empty the ice bin.
4. Turn off temperature controls. See the "Using the Controls" section.

5. Clean refrigerator, wipe it, and dry well.
6. Tape rubber or wood blocks to the tops of both doors to prop them open far enough for air to get in. This stops odor and mold from building up.

Moving

When you are moving your refrigerator to a new home, follow these steps to prepare it for the move.

1. If your refrigerator has an automatic ice maker:
 - Turn off the water supply to the ice maker at least one day ahead of time.
 - Disconnect the water line from the back of the refrigerator.
 - When the last load of ice drops, raise the wire shutoff arm to the Off (up) position or press the switch to Off, depending on your model.
2. Remove all food from the refrigerator and pack all frozen food in dry ice.
3. Empty the ice bin.
4. Unplug refrigerator
5. Clean, wipe, and dry thoroughly.
6. Take out all removable parts, wrap them well, and tape them together so they don't shift and rattle during the move.
7. Depending on the model, raise the front of the refrigerator so it rolls more easily or raise the levelling screws so they do not scrape the floor. See the "Adjust the Doors" or "Refrigerator Levelling and Door Closing" sections.
8. Tape the doors closed and tape the power cord to the back of the refrigerator.

When you get to your new home, put everything back and refer to the "Installation Instructions" section for preparation instructions. Also, if your refrigerator has an automatic ice maker, remember to reconnect the water supply to the refrigerator.

PERFORMANCE DATA SHEET

Water Filtration System

Model P9WB2L/P9RFWB2L/EDR2RXD1 Capacity 200 Gallons (757 Liters)



System tested and certified by NSF International against NSF/ANSI Standard 42, Standard 53, Standard 401, and CSA B483.1 for the reduction of contaminants specified on the Performance Data Sheet.

This system has been tested according to NSF/ANSI Standards 42, 53, 401, and CSA B483.1 for the reduction of the substances listed below. The concentration of the indicated substances in water entering the system was reduced to a concentration less than or equal to the permissible limit for water leaving the system, as specified in NSF/ANSI Standards 42, 53, 401, and CSA B483.1. This system has been tested according to Ministerial Decree No 174, article 9 of legislative decree n 31 of 2001, Regulations (EC) no 1935/2004, WRAS BS6920 and ACS Circulaire 2002/571.

| Substance Reduction Aesthetic Effects | Influent Challenge Concentration | Maximum Permissible Product Water Concentration | Average % Reduction |
|--|---|--|---------------------|
| Chlorine Taste/Odor Particulate Class I* | 2.0 mg/L ± 10% At least 10,000 particles/mL | 50% reduction 85% reduction | >97.4% 99.3% |

| Contaminant Reduction | Influent Challenge Concentration | Maximum Permissible Product Water Concentration | Average % Reduction |
|-------------------------|---|--|---------------------|
| Lead: @ pH 6.5/@ pH 8.5 | 0.150 mg/L ± 10% | 0.010 mg/L | >99.3%/98.6% |
| Benzene | 0.015 mg/L ± 10% | 0.005 mg/L | 96.0% |
| P-Dichlorobenzene | 0.225 mg/L ± 10% | 0.075 mg/L | >99.8% |
| Carbofuran | 0.080 mg/L ± 10% | 0.040 mg/L | 91.9% |
| Toxaphene | 0.015 mg/L ± 10% | 0.003 mg/L | 93.3% |
| Atrazine | 0.009 mg/L ± 10% | 0.003 mg/L | 92.4% |
| Asbestos | 10 ⁷ to 10 ⁸ fibers/L†† | >99% | >99% |
| Asbestos | 50,000/L minimum | 99.95% | >99.99% |
| Live Cysts† | 11 NTU ± 10% | 0.5 NTU | 99.0% |
| Lindane | 0.002 mg/L ± 10% | 0.0002 mg/L | >98.9% |
| Tetrachloroethylene | 0.015 mg/L ± 10% | 0.005 mg/L | >96.6% |
| o-Dichlorobenzene | 1.8 mg/L ± 10% | 0.6 mg/L | >99.9% |
| Ethylbenzene | 2.1 mg/L ± 10% | 0.7 mg/L | 99.4% |
| 1,2,4-Trichlorobenzene | 0.210 mg/L ± 10% | 0.07 mg/L | >99.8% |
| 2,4 - D | 0.210 mg/L ± 10% | 0.07 mg/L | 93.8% |
| Styrene | 2.0 mg/L ± 10% | 0.1 mg/L | 99.8% |
| Toluene | 3.0 mg/L ± 10% | 1.0 mg/L | 87.9% |
| Endrin | 0.006 mg/L ± 10% | 0.002 mg/L | >96.6% |
| Atenolol | 200 ± 20% | 30 ng/L | >95.9% |
| Trimethoprim | 140 ± 20% | 20 ng/L | >96.9% |
| Linuron | 140 ± 20% | 20 ng/L | >96.4% |
| Estrone | 140 ± 20% | 20 ng/L | >97.0% |
| Nonylphenol | 1400 ± 20% | 200 ng/L | >97.4% |
| Carbamazepine | 1400 ± 20% | 200 ng/L | >97.9% |
| Phenytoin | 200 ± 20% | 30 ng/L | 93.8% |

| Contaminant Reduction | Influent Challenge Concentration | Maximum Permissible Product Water Concentration | Average % Reduction |
|-----------------------|----------------------------------|---|---------------------|
| Naproxen | 140 ± 20% | 20 ng/L | 96.1% |
| Bisphenol A | 2000 ± 20% | 300 ng/L | >99.2% |

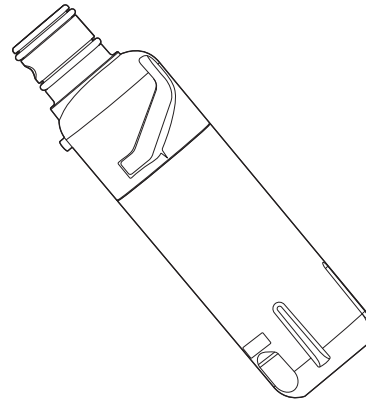
Test Parameters: pH = 7.5 ± 0.5 unless otherwise noted. Flow = 0.6 gpm (2.27 Lpm). Pressure = 60 psig (413.7 kPa). Temperature = 68°F to 71.6°F (20°C to 22°C). Rated service capacity = 200 gallons (757 liters).

The compounds certified under NSF 401 have been deemed as “emerging compounds/incidental contaminants.” Emerging compounds/incidental contaminants compounds that have been detected in drinking water supplies at trace levels. While occurring at only trace levels, these compounds can affect the public acceptance/perception of drinking water quality.

- It is essential that operational, maintenance, and filter replacement requirements be carried out for the product to perform as advertised. Property damage can occur if all instructions are not followed.
- The disposable cartridge must be changed at least every 6 months.
- Use replacement filter Part # EDR4RXD1/EDR4RXD1B. 2015 suggested retail price of \$49.99 U.S.A./\$49.99 Canada. Prices are subject to change without notice.
- The filter monitor system measures the amount of water that passes through the filter and alerts you when it is time to replace the filter. Refer to the “Using the Controls” or “Water Filtration System” section (in the User Instructions or User Guide) to learn how to check the water filter status.
- After changing the water filter, flush the water system. See “Water and Ice Dispensers” or “Water Dispenser” in the User Instructions or User Guide.
- These contaminants are not necessarily in your water supply. While testing was performed under standard laboratory conditions, actual performance may vary.
- The product is for cold water use only.
- The water system must be installed in compliance with state and local laws and regulations.
- Do not use with water that is microbiologically unsafe or of unknown quality without adequate disinfection before or after the system. Systems certified for cyst reduction may be used on disinfected waters that may contain filterable cysts. EPA Est. No. 082047-TWN-001
- Refer to the “Warranty” section (in the User Instructions or User Guide) for the Manufacturer’s limited warranty, name and telephone number.
- The refrigerator when dispensing water acts as drinking water treatment equipment.
- This equipment requires regular periodic maintenance in order to guarantee the drinking water treatment requirements and the maintenance of the improvements every 6 months.

| Application Guidelines/Water Supply Parameters | |
|--|--|
| Water Supply | Potable City or Well |
| Water Pressure | 30 psi-120 psi (207 kPa-827 kPa) |
| Water Temperature | 33°F-100°F (0.6°C-37.8°C) |
| Service Flow Rate | 0.6 GPM (2.27 L/min) @ 60 psi (413.7 kPa) |

- Your water filtration system will withstand up to 120 pounds per square inch (psi) water pressure. If your water supply is higher than 80 psi, install a pressure reducing valve before installing the water filtration system.



*Class I particle size: >0.5 to 1 um

†Based on the use of Cryptosporidium parvum oocysts

††Fibers greater than 10 um in length

©NSF is a registered trademark of NSF International.

Sécurité du réfrigérateur

Votre sécurité et celle des autres sont très importantes.

Nous donnons de nombreux messages de sécurité importants dans ce manuel et sur votre appareil. Assurez-vous de toujours lire tous les messages de sécurité et de vous y conformer.



Voici le symbole d'alerte de sécurité.

Ce symbole d'alerte de sécurité vous signale les dangers potentiels de décès et de blessures graves.

Tous les messages de sécurité suivront le symbole d'alerte de sécurité et le mot « DANGER » ou « AVERTISSEMENT ». Ces mots signifient :

⚠ DANGER

Risque possible de décès ou de blessure grave si vous ne suivez pas immédiatement les instructions.

⚠ AVERTISSEMENT

Risque possible de décès ou de blessure grave si vous ne suivez pas les instructions.

Tous les messages de sécurité vous diront quel est le danger potentiel, comment réduire le risque de blessure et ce qui peut se produire en cas de non-respect des instructions.

INSTRUCTIONS IMPORTANTES DE SÉCURITÉ

AVERTISSEMENT : Afin de réduire le risque d'incendie, de décharge électrique ou de blessures corporelles lors de l'utilisation de cet appareil, observer certaines précautions fondamentales, notamment :

- Les enfants doivent être surveillés afin de s'assurer qu'ils ne jouent pas avec l'appareil.
- Cet appareil ne convient pas à une utilisation par des personnes (y compris des enfants) à capacités physiques, sensorielles ou mentales réduites, ou possédant un manque d'expérience et de connaissances, à moins qu'elles ne soient placées sous supervision ou qu'elles aient reçu des instructions concernant l'utilisation de l'appareil par une personne responsable de leur sécurité.
- Ne pas utiliser de rallonge.
- Si le cordon d'alimentation est endommagé, il doit être remplacé par le fabricant, son agent de réparation ou toute autre personne qualifiée afin d'éviter tout danger.
- Brancher sur une alimentation en eau potable uniquement.
- Cet appareil est destiné à un usage domestique et à d'autres usages similaires comme : coins cuisine réservés au personnel des boutiques, des bureaux et d'autres environnements professionnels; maisons d'hôtes, ainsi que par les clients d'hôtel, de motels et d'autres installations d'hébergement; gîtes touristiques; et banquets et autres utilisations non commerciales semblables.
- Ne pas entreposer de substances explosives comme des aérosols avec agent propulseur inflammable dans cet appareil.
- Ne pas utiliser de pièces de remplacement qui n'ont pas été recommandées par le fabricant (c.-à-d., pièces fabriquées à la maison à l'aide d'une imprimante 3D).
- Garder les événements à l'intérieur de l'enceinte de l'appareil ou de la structure encastrée exempte d'obstacles.
- Ne pas utiliser des appareils mécaniques ou autres moyens pour accélérer le processus de dégivrage, autre que ceux recommandés par le fabricant.
- Ne pas endommager le circuit réfrigérant.
- Ne pas utiliser des appareils électriques à l'intérieur des compartiments d'aliments de l'appareil, à moins qu'ils soient de type recommandé par le fabricant.
- L'ensemble de machine à glaçons peut être ajouté à certains modèles. Consulter la plaque signalétique située à l'intérieur du compartiment pour les aliments de l'appareil pour obtenir les informations concernant le modèle d'ensemble de machine à glaçons.
- L'installation de la canalisation d'eau et de la machine à glaçons doit être effectuée par un technicien de service qualifié. Consulter les instructions d'installation fournies avec l'ensemble de machine à glaçons pour tous les détails.

CONSERVER CES INSTRUCTIONS

INSTRUCTIONS DE SÉCURITÉ

IMPORTANT : À LIRE ET À RESPECTER

Lire ces instructions de sécurité avant d'utiliser l'appareil. Conservez ces instructions pour référence ultérieure. Ces instructions et l'appareil lui-même fournissent d'importants avertissements de sécurité qui doivent être respectés en tout temps. Le fabricant décline toute responsabilité si ces instructions de sécurité ne sont pas respectées et en cas de mauvaise utilisation du produit ou de mauvais réglage des commandes.

⚠ Les très jeunes enfants (0 à 3 ans) devraient être tenus loin de l'appareil. Les jeunes enfants (3 à 8 ans) devraient être tenus loin de l'appareil, sauf s'ils sont supervisés en tout temps. Les enfants de 8 ans et plus, ainsi que les personnes à capacités physiques, sensorielles ou mentales réduites, ou possédant un manque d'expérience et de connaissances ne peuvent utiliser cet appareil que s'ils sont supervisés ou qu'ils ont reçu des instructions concernant l'utilisation sécuritaire de l'appareil et comprennent les risques liés à l'utilisation de l'appareil. Les enfants ne doivent pas jouer avec l'appareil. Le nettoyage et l'entretien ne doivent pas être effectués par des enfants laissés sans supervision.

Les enfants âgés de 3 à 8 ans peuvent mettre des articles ou en retirer des appareils de réfrigération.

UTILISATION PERMISE

⚠ ATTENTION : Cet appareil n'est pas conçu pour être utilisé à l'aide d'un dispositif de commutation externe comme une minuterie ni par un système de commande à distance.

⚠ Cet appareil est destiné à un usage domestique et à d'autres usages similaires comme :

- coins cuisine réservés au personnel des boutiques, des bureaux et d'autres environnements professionnels
- maisons d'hôtes, chambres d'hôtel, motels et autres installations d'hébergement
- environnements de type gîtes touristiques
- restauration collective et autres applications hors vente au détail.

⚠ Cet appareil n'est pas conçu pour une utilisation professionnelle. Ne pas utiliser cet appareil à l'extérieur, dans un garage ou dans un sous-sol.

⚠ Cet appareil est conçu pour être utilisé dans un endroit où la température se trouve dans les limites des plages suivantes, et selon la classe climatique indiquée sur la plaque signalétique. Il est possible que l'appareil ne fonctionne pas correctement s'il est resté exposé pendant longtemps à une température en dehors de la plage indiquée.

Classe climatique T (°C)

SN : De 10 à 32 °C; N : De 16 à 32 °C

ST : De 16 à 38 °C; T : De 16 à 43 °C

⚠ Cet appareil ne contient pas de CFC. Le circuit de réfrigération contient du R600a (HC). Appareils contenant de l'isobutane (R600a) : L'isobutane est un gaz naturel sans impact pour l'environnement, mais inflammable. Il faut donc s'assurer que les tubes du circuit réfrigérant de l'appareil ne sont pas endommagés, particulièrement lorsqu'on vide le circuit réfrigérant.

⚠ AVERTISSEMENT : Ne pas endommager les tubes du circuit réfrigérant de l'appareil.

⚠ AVERTISSEMENT : Garder les événements à l'intérieur de l'enceinte de l'appareil ou de la structure encastrée exempte d'obstacles.

⚠ AVERTISSEMENT : Ne pas employer de procédé mécanique, électrique ou chimique autre que celui recommandé par le fabricant pour accélérer le processus de décongélation.

⚠ AVERTISSEMENT : Ne pas utiliser ou placer de dispositifs électriques à l'intérieur des compartiments de l'appareil si ce dispositif ne correspond pas au type de dispositif expressément autorisé par le fabricant.

⚠ AVERTISSEMENT : Les machines à glaçons ou distributeurs d'eau automatiques dont le raccordement à l'alimentation en eau est indirect doivent être approvisionnés uniquement en eau potable.

⚠ AVERTISSEMENT : Les machines à glaçons et distributeurs d'eau doivent être raccordés uniquement à une arrivée d'eau potable dont la pression est comprise entre 20 lb/po² et 145 lb/po² (1,4 bar et 10 bars).

⚠ Ne pas entreposer de substances explosives comme des aérosols avec agent propulseur inflammable dans cet appareil.

⚠ Ne pas avaler le contenu (non toxique) des blocs réfrigérants (offerts sur certains modèles). Ne pas manger de glaçons ou sucettes glacées immédiatement après les avoir retirés du congélateur : elles peuvent causer des brûlures dues au froid.


⚠ Pour les produits conçus pour utiliser un filtre à air situé dans un couvercle de ventilateur accessible, le filtre doit toujours être en place lorsque le réfrigérateur est alimenté.

⚠ Ne pas ranger de contenants en verre contenant des liquides dans le compartiment de congélation puisqu'ils pourraient éclater. Ne pas obstruer le ventilateur (si inclus) avec des alimentaires. Après avoir rangé les aliments, vérifier que les portes de compartiments ferment bien, particulièrement la porte du congélateur.

⚠ Les joints endommagés doivent être remplacés le plus vite possible.

⚠ Utiliser le compartiment de réfrigération uniquement pour la conservation d'aliments frais et le compartiment de congélation pour la conservation d'aliments surgelés, la congélation d'aliments frais et la fabrication de glaçons.

⚠ Éviter de placer des aliments non emballés au contact direct avec des aliments frais et les surfaces internes du compartiment de congélation. Les appareils peuvent être munis de compartiments spécialisés (compartiment à aliments frais, boîte à zéro degré, etc.). Sauf si mentionné dans le livret spécifique du produit, ces compartiments peuvent être enlevés sans nuire au rendement de l'appareil.

⚠  Avertissement : Risque d'incendie/matériaux inflammables. Pour les compartiments les plus appropriés de l'appareil où des aliments spécifiques seront conservés, tenir compte des températures des différents compartiments de l'appareil comme suit :

– Compartiment de réfrigération : Fruits tropicaux, boîtes, boissons, œufs, sauces, cornichons, beurre, confiture, fromage, lait, produits laitiers, yogourt. Il est aussi possible de ranger des charcuteries, des desserts, de la viande et du poisson, du gâteau au fromage, des pâtes fraîches, de la crème sure, des poudings et du fromage à la crème.

Tiroir pour fruits et légumes au bas du compartiment de réfrigération : Légumes et fruits (sauf les fruits tropicaux).

Compartiment de refroidissement : Ne ranger la viande et le poisson que dans le tiroir le plus froid

– Compartiment du congélateur : Convient pour congeler les aliments à température de la pièce et pour ranger les aliments surgelés puisque la température est répartie uniformément dans tout le compartiment. Les aliments surgelés achetés en magasin sont munis d'une date de péremption imprimée sur l'emballage. Cette date tient compte du type d'aliments qui y est contenu et devrait donc être respectée. Les aliments frais devraient être conservés selon la période suivant : 1 à 3 mois pour le fromage, les fruits de mer, la crème glacée, les saucisses et la viande hachée, le lait, les liquides frais; 4 mois pour les biftecks ou les côtes (bœuf, porc, agneau); 6 mois pour le beurre ou la margarine, la volaille (poulet, dinde); 8 à 12 mois pour les fruits (sauf les agrumes), les viandes rôties (bœuf, porc, agneau) et les légumes. Les dates de péremption sur les emballages d'aliments doivent être respectées. Pour éviter de contaminer les aliments, suivre les directives suivantes :

– Ouvrir la porte pour une longue période peut faire augmenter de façon significative la température dans les compartiments de l'appareil.

– Nettoyer régulièrement les surfaces qui peuvent entrer en contact avec des aliments et les systèmes de vidange accessibles.

– nettoyer les contenants d'eau s'ils n'ont pas été utilisés pendant 48 h; vidanger le système d'eau raccordé à l'alimentation en eau si de l'eau n'a pas été distribuée pendant 5 jours.

– ranger la viande et le poisson cru dans des contenants convenables dans le réfrigérateur pour qu'ils n'entrent pas en contact ou ne coulent pas sur d'autres aliments.

Le rangement dans la zone convertible devrait respecter les conditions suivantes :

+10 °C : vin blanc

+4 °C : légumes et fruit (sauf les fruits tropicaux)

0 °C : viandes et poissons

Tous les réglages sous zéro : aliments surgelés comme dans le congélateur

– Les compartiments deux étoiles pour aliments surgelés conviennent pour ranger des aliments déjà surgelés et ranger ou préparer de la crème glacée ou des glaçons.

– Ne pas faire congeler des aliments dans les compartiments à une, deux ou trois étoiles.

– Si l'appareil de réfrigération est laissé vide pendant une longue période, l'éteindre, le dégivrer, le nettoyer, le sécher et laisser la porte ouverte pour prévenir l'apparition de moisissure à l'intérieur.

INSTALLATION

⚠ Cet appareil doit être déplacé et installé par deux personnes ou plus – risque de blessures. Utiliser des gants de protection pour déballer et installer le produit – risque de coupure.

⚠ L'installation, incluant le raccordement à l'entrée d'eau (au besoin) et les connexions électriques, ainsi que les réparations doivent être effectuées par un technicien qualifié. Ne pas réparer ou remplacer une pièce de l'appareil si ce n'est pas spécifiquement indiqué dans le guide d'utilisation. Garder les enfants loin de la zone d'installation.

Après avoir déballé l'appareil, s'assurer qu'il n'a pas été endommagé par le transport. En cas de problème, communiquer avec le fournisseur de service après-vente le plus près de chez vous. Une fois l'appareil installé, le matériel d'emballage à recycler (plastique, pièces en polystyrène, etc.) doit être placé hors de la portée des enfants – risque de suffocation. L'appareil doit être débranché de l'alimentation électrique avant toute installation – risque de décharge électrique. Pendant l'installation s'assurer que l'appareil n'endommage pas le cordon d'alimentation – risque d'incendie et de décharge électrique. Ne mettre l'appareil en marche qu'une fois l'installation terminée.

⚠ Faire attention à ne pas endommager le plancher (p. ex., parquet) lorsqu'on déplace l'appareil. Installer l'appareil sur un plancher ou une surface qui pourra en supporter le poids et dans un espace adapté à ses dimensions et à l'utilisation qui en est faite. S'assurer que l'appareil n'est pas situé près d'une source de chaleur et que les quatre pieds sont stables et bien à plat au sol, ajuster les pieds au besoin et vérifier que l'appareil est bien au niveau en utilisant un niveau à bulle d'air. Attendre au moins deux heures avant de mettre en marche l'appareil afin de s'assurer que le circuit réfrigérant est parfaitement fonctionnel.

⚠ **AVERTISSEMENT** : Lors du positionnement de l'appareil, s'assurer que le cordon d'alimentation n'est pas coincé ou endommagé.

⚠ **AVERTISSEMENT** : Pour éviter un danger provoqué par l'instabilité, le positionnement ou l'arrimage de l'appareil, respecter les instructions du fabricant. Il est interdit de placer le réfrigérateur de telle manière que le tuyau d'entrée de gaz d'une cuisinière, les conduits d'eau ou de gaz en métal ou les fils électriques entrent en contact avec le dos du réfrigérateur (serpentons du condensateur).

⚠ Pour garantir une ventilation adéquate, laisser un espace de chaque côté et au-dessus de l'appareil. La distance entre le dos de l'appareil et le mur arrière devrait être de 50 mm pour éviter l'accès à des surfaces chaudes. Un espace inférieur augmentera la consommation d'électricité de l'appareil.

⚠ S'il est nécessaire de remplacer la porte, communiquer avec le centre de service technique.

⚠ Un seul clapet anti-retour « approuvé » ou un autre dispositif de prévention de reflux aussi efficace offrant une protection contre le reflux pour les liquides de catégorie deux (au minimum) devrait être installé au point de raccordement entre l'alimentation en eau et le raccordement à l'appareil.

AVERTISSEMENTS – ÉLECTRICITÉ

⚠ Il doit être possible de couper l'alimentation électrique de l'appareil en le débranchant si la prise est accessible ou à l'aide d'un interrupteur bipolaire accessible monté en amont de la prise secteur en conformité avec les normes de sécurité nationales. L'appareil doit être mis à la terre en conformité avec les normes de sécurité nationales.

⚠ Ne pas utiliser une extension, un parasurtenseur ou un adaptateur. Les composants électriques ne doivent pas être accessibles par l'utilisateur après l'installation. Ne pas utiliser l'appareil lorsqu'on est mouillé ou pieds nus. Ne pas utiliser ce produit si la fiche ou le cordon est endommagé, s'il ne fonctionne pas correctement ou s'il a subi une chute ou a été endommagé de quelque façon que ce soit.

⚠ Si le cordon d'alimentation est endommagé, il doit être remplacé par un cordon identique par le fabricant, son agent de réparation ou toute autre personne qualifiée afin d'éviter tout danger – isque de décharge électrique.


⚠ **AVERTISSEMENT** : Ne pas installer un parasurtenseur ou un bloc d'alimentation portatif derrière l'appareil.

NETTOYAGE ET ENTRETIEN

⚠ **AVERTISSEMENT** : S'assurer que l'appareil est arrêté et que l'alimentation électrique est débranchée avant d'effectuer tout entretien; ne jamais utiliser d'équipement de nettoyage à la vapeur – risque de décharge électrique.

⚠ Ne pas utiliser de nettoyeurs puissants ou abrasifs tels que les nettoyeurs à vitre en atomiseurs, nettoyeurs à récurer, liquides inflammables, cires nettoyantes, détergents concentrés, agents de blanchiment ou nettoyeurs contenant du pétrole sur les pièces en plastique, les garnitures intérieures et garnitures de portes ou sur les joints de portes. Ne pas utiliser d'essuie-tout, de tampons à récurer ou un autre outil de nettoyage abrasif.


RECYCLAGE DES MATÉRIEAUX D'EMBALLAGE

Les matériaux d'emballage sont entièrement recyclables et sont munis des symboles de recyclage .

Les différents matériaux d'emballage doivent donc être mis au recyclage de façon responsable et en respectant les réglementations locales en matière de recyclage.

MISE AUX REBUTS DES APPAREILS MÉNAGERS

Cet appareil est fabriqué de matériaux recyclables et réutilisables. Jeter l'appareil conformément aux règlements locaux en matière de déchets. Pour plus d'informations sur le traitement, la récupération et le recyclage des appareils ménagers électriques, contacter le bureau local pertinent, le service de traitement des déchets domestiques ou la boutique dans laquelle l'appareil a été acheté. Cet appareil est conforme à la directive européenne 2012/19/EU relative aux appareils électriques et électroniques usagés (WEEE). En s'assurant que cet appareil est mis aux rebuts de la bonne façon, on s'assure de prévenir les conséquences néfastes sur l'environnement et la santé humaine.

Le symbole  situé sur le produit ou les documents joints indique qu'il ne doit pas être considéré comme un déchet domestique, mais qu'il doit être transféré vers un centre de traitement des déchets approprié et conçu pour le recyclage des appareils électriques et électroniques.

CONSEILS ÉCONERGIQUES

Installer l'appareil dans une pièce sèche et bien aérée, loin de toute source de chaleur (p. ex. : radiateur, cuiseur, etc.) ou des rayons directs du soleil. Au besoin, utiliser un panneau isolant.

Pour garantir une bonne ventilation, suivre les instructions d'installation. Une mauvaise ventilation derrière le produit augmente la consommation d'énergie et réduit l'efficacité de refroidissement. L'ouverture fréquente de la porte peut causer une augmentation de la consommation électrique. La température interne de l'appareil et la consommation d'énergie peuvent aussi être affectées par la température ambiante, ainsi que par l'emplacement de l'appareil. Le réglage de la température devrait être effectué en considérant ces facteurs. Réduire le plus possible les ouvertures de porte.

Placer les aliments à décongeler dans le réfrigérateur. La température des aliments congelés refroidit les aliments dans le réfrigérateur. Laisser les boissons et aliments refroidir avant de les placer dans l'appareil. Le positionnement des tablettes dans le réfrigérateur n'a aucune incidence sur l'utilisation efficace de la consommation d'énergie. Les aliments devraient être placés sur les tablettes de façon à permettre une bonne circulation de l'air (les aliments ne devraient pas se toucher et un espace devrait être conservé entre les aliments et la paroi arrière). Il est possible d'augmenter la capacité de stockage d'aliments congelés en enlevant les paniers et, si elle est présente, la tablette Stop Frost. Ne pas s'en faire avec les bruits du compresseur, ceux-ci sont normaux et décrits dans le guide rapide du produit.

Mise au rebut du vieux réfrigérateur

AVERTISSEMENT : Un enfant peut rester piégé. Avant de jeter votre vieux réfrigérateur ou congélateur :

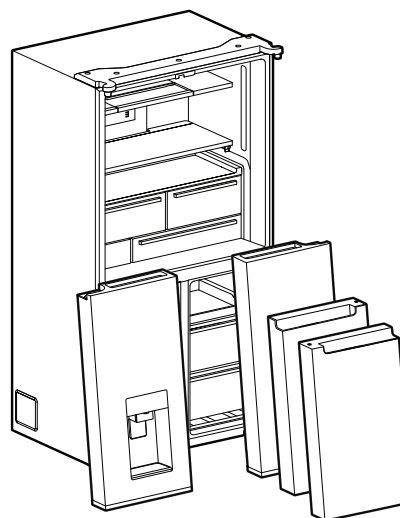
- Enlever les portes.
- Laisser les tablettes en place de sorte que les enfants ne puissent pas y pénétrer facilement.

⚠ AVERTISSEMENT

Risque de suffoquer

Enlever les portes ou le couvercle de votre vieil appareil.

Le non-respect de cette instruction peut causer un décès ou des lésions cérébrales.

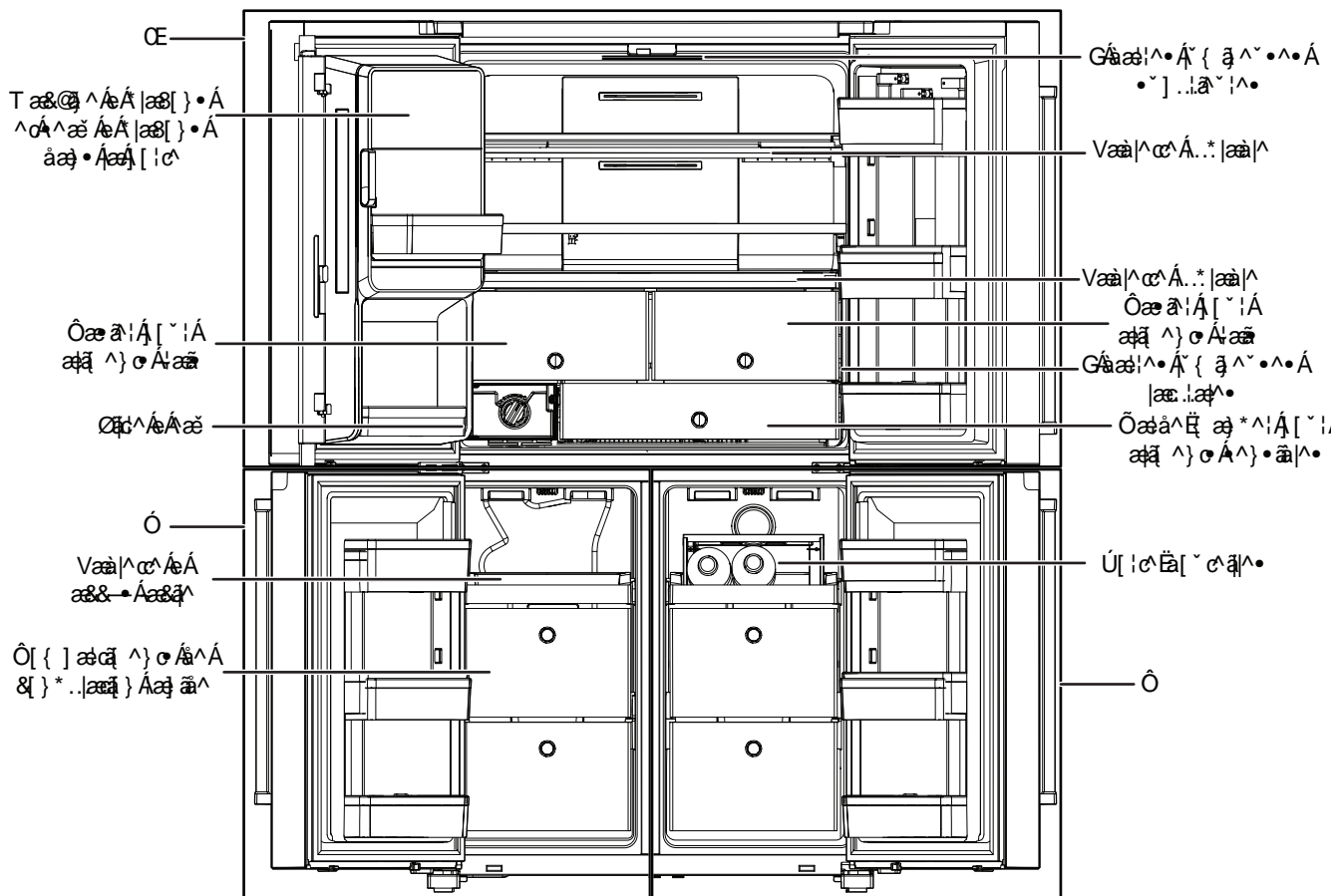


IMPORTANT : Le risque qu'un enfant puisse se retrouver coincé et suffoquer n'est pas chose du passé. Les réfrigérateurs et congélateurs jetés ou abandonnés sont toujours dangereux, même s'ils ne restent à l'extérieur que pour « quelques jours seulement ». Si vous vous débarrassez de votre vieux réfrigérateur ou congélateur, veuillez suivre les instructions suivantes pour aider à éviter les accidents.

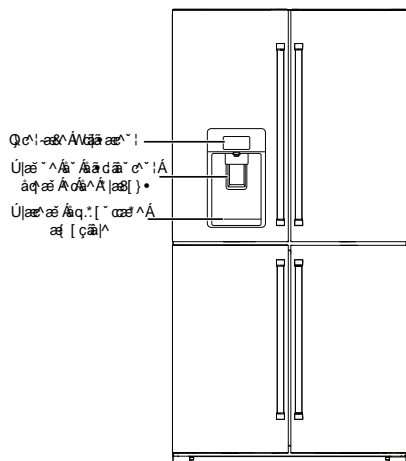
Informations importantes à connaître pour l'élimination du liquide réfrigérant :

Jeter le réfrigérateur conformément aux règlements fédéraux et locaux. Les liquides réfrigérants doivent être évacués par un technicien en réfrigération accrédité EPA, conformément aux procédures établies.

PIÈCES ET CARACTÉRISTIQUES



- A. Réfrigérateur
- B. Congélateur
- C. Zone à température flexible



REMARQUE :

- Les tiroirs, paniers et étagères doivent rester dans la position de l'image ci-dessus. C'est le meilleur aménagement pour la consommation d'énergie. Cet appareil de réfrigération n'est pas destiné à être utilisé comme appareil encastré.
- Lors de l'installation initiale du réfrigérateur, s'assurer que les commandes sont encore pré-réglées aux points de réglage recommandés. Les points de réglage recommandés à l'usine sont de 3 °C (37,4 °F) pour le réfrigérateur et -18 °C (-0,4 °F) pour le congélateur. Les limites de charge sont déterminées par les paniers, les volets, les tiroirs, les étagères, etc. Faire attention à ce que ces éléments puissent encore se fermer facilement après le chargement.

QUOI DE NEUF EN COULISSE?

Bac à glaçons In-Door-Ice®

La machine à glaçons et le bac d'entreposage sont situés dans la porte pour permettre un accès facile aux glaçons tout en libérant de l'espace de tablettes à l'intérieur et en ajoutant des balconnets de porte supplémentaires pour offrir plus d'espace d'utilisation.

Protection contre le Gel

Cette caractéristique réduit le transfert de l'humidité dans les aliments surgelés et réduit les brûlures de congélation.

Tablette Amovible

Cette tablette pleine largeur entièrement coulissante se glisse entre les tiroirs à légumes et la tablette du bas. Elle est parfaite pour les restes, les plats pour la famille, les boîtes de pizza et les grands plats de fête.

Garde-Manger pour Aliments Sensibles

Pour ranger des aliments comme de la viande, des produits de spécialité et des boissons et les conserver à leur température idéale.

Distributeur d'eau avec Remplissage Mesuré

La fonction Measured Fill (Remplissage Mesuré) vous permet de distribuer une quantité désirée d'eau filtrée à coups de 6,8 oz (0,2 L), 16,9 oz (0,5 L) ou 33,8 oz (1,0 L).

Lumière DEL panoramique

De multiples bandes lumineuses à DEL situées à l'intérieur du compartiment réfrigérateur, du compartiment congélateur et des tiroirs intérieurs réduisent les ombres et répartissent uniformément la lumière partout dans le réfrigérateur.

Zone polyvalente FreshChill (rafraîchissement)

Passer d'une zone de congélation en une zone de réfrigération à l'aide d'une touche en sélectionnant parmi les 6+ réglages de température et crée l'espace souhaité en fonction des besoins du moment.

ACL

Les écrans tactiles haute définition fournissent des recommandations personnalisées et permettent d'interagir avec le réfrigérateur rapidement et sans effort.

INSTRUCTIONS D'INSTALLATION

Pour commencer

Liste de contrôle – Installation

Alimentation électrique

⚠ AVERTISSEMENT



Risque de décharge électrique

Brancher l'appareil sur une prise à 3 alvéoles reliée à la terre.

Ne pas enlever la prise de liaison à la terre.

Ne pas utiliser d'adaptateur.

Ne pas utiliser de rallonge.

Le non-respect de ces instructions peut causer un décès, un incendie ou une décharge électrique.

- Brancher le réfrigérateur dans une prise avec mise à la terre.

Portes

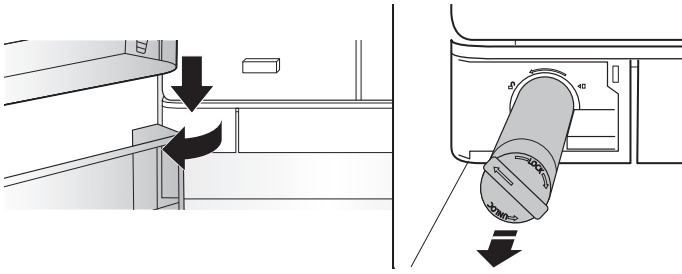
- Si les portes doivent être retirées lors de l'installation, se reporter aux sections « Retirer et Replacer les Portes » et « Retirer et Replacer l'Avant de la Porte du Congélateur ».
- Les portes ferment complètement hermétiquement.
- Le réfrigérateur est de niveau. Ajuster les pieds de nivellement de façon à ce qu'ils soient en contact avec le plancher.
- Les portes sont alignées à leurs rives supérieures. (Utiliser la fonction d'ajustement de la porte au besoin.)

Dernières vérifications

- Retirer tout l'emballage d'expédition.
- Régler les commandes de température aux réglages recommandés.
- Conserver les instructions et autres documents éventuels.
- Pour obtenir plus d'aide, enregistrer le produit au www.whirlpool.com.

Installation du filtre à eau

- Repérer le compartiment du filtre à eau sur le côté gauche inférieur du réfrigérateur. Appuyer sur le côté droit de la porte du filtre pour l'ouvrir.
- Aligner la flèche sur le capuchon du filtre à eau avec l'encoche du logement du filtre et insérer le filtre dans le logement.
- Après l'avoir inséré, tourner le filtre dans le sens horaire de 90° (1/4 tour) jusqu'à ce qu'il s'emboîte dans le logement.
- Refermer la porte du filtre à eau pour la verrouiller.
- Rincer le système de distribution d'eau à l'aide de 3 gallons (11,4 L) d'eau pour évacuer l'air de la canalisation d'eau et pour empêcher le distributeur de goutter ou de réduire le débit du distributeur.
- Réinitialiser le compteur du filtre en utilisant l'interface utilisateur. Consulter la procédure pour réinitialiser le filtre de la section « Commandes de l'utilisateur ».



REMARQUE : Si le filtre n'est pas installé correctement, le débit d'eau sera plus faible et la production de glaçons plus lente. La mauvaise installation d'un filtre peut aussi laisser fuir le compartiment du filtre.

Déballage du réfrigérateur

⚠ AVERTISSEMENT

Risque de poids excessif

Utiliser deux personnes ou plus pour déplacer et installer l'appareil.

Le non-respect de cette instruction peut causer une blessure au dos ou d'autres blessures.

Livraison du réfrigérateur

- Une ouverture de porte minimum de 33 po (838 mm) est nécessaire. Si l'ouverture est inférieure ou égale à 36 po (914 mm), il faudra enlever les portes, tiroirs et charnières.
- Pousser le chariot avec le réfrigérateur de côté pour toutes les ouvertures de porte.

Lors du déplacement du réfrigérateur :

Ce réfrigérateur est lourd. Lors du déplacement de ce réfrigérateur pour un nettoyage ou un entretien, veiller à recouvrir le plancher d'un carton ou panneau de fibre dur pour éviter de l'endommager. Toujours tirer le réfrigérateur tout droit lors du déplacement. Ne pas incliner le réfrigérateur d'un côté ou de l'autre ni le « faire marcher » en essayant de le déplacer, car le sol pourrait être endommagé.

Retrait des matériaux d'emballage

- Enlever tout résidu de ruban adhésif et de colle des surfaces avant de mettre en marche votre tiroir de réfrigération. Frotter une petite quantité de savon liquide à vaisselle sur l'adhésif avec les doigts. Rincer à l'eau tiède et sécher.
- Ne pas utiliser d'instruments coupants, d'alcool à friction, de liquides inflammables ou de nettoyants abrasifs pour enlever le ruban adhésif ou la colle. Ces produits peuvent endommager la surface du réfrigérateur. Pour plus de renseignements, voir la section « Sécurité du réfrigérateur ».
- Éliminer/recycler tous les matériaux d'emballage.

Nettoyage avant utilisation

Après avoir enlevé tous les matériaux d'emballage, nettoyer l'intérieur du réfrigérateur avant de l'utiliser. Voir les instructions de nettoyage dans la section « Entretien du réfrigérateur ».

Informations importantes à propos des tablettes et des couvercles en verre :

Ne pas nettoyer les tablettes ou les couvercles de verre avec de l'eau tiède lorsqu'ils sont froids. Les tablettes et couvercles peuvent se briser s'ils sont exposés à un changement de températures ou impact soudain, tel qu'une chute. Le verre trempé est conçu pour se briser en de multiples petits morceaux de la taille de gravillons. Ceci est normal. Les tablettes en verre et les couvercles sont lourds. Employer les deux mains lorsqu'on les retire afin d'éviter de les faire tomber.

Exigences d'Emplacement

⚠ AVERTISSEMENT



Risque d'explosion

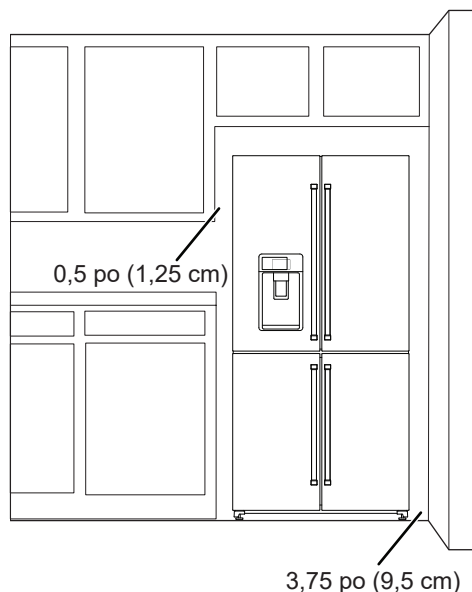
Garder les matières et les vapeurs inflammables, telles que l'essence, à l'écart de l'appareil.

Utiliser un produit de nettoyage ininflammable.

Le non-respect de ces instructions peut causer un décès, une explosion ou un incendie.

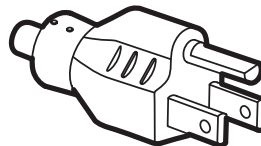
Pour obtenir une aération appropriée pour ce réfrigérateur, laisser un espace de 0,5 po (1,25 cm) de chaque côté et au sommet. Laisser un espace de 2 po (5 cm) derrière le réfrigérateur. Si le réfrigérateur comporte une machine à glaçons, s'assurer qu'un espace additionnel est prévu à l'arrière pour permettre les raccordements des conduits d'eau. En cas d'installation du réfrigérateur près d'un mur fixe, laisser un minimum de 3,75 po (9,5 cm) entre le réfrigérateur et le mur pour permettre à la porte de s'ouvrir sans obstruction.

REMARQUE : Ce réfrigérateur est conçu pour être utilisé dans un endroit où la température est comprise entre un minimum de 10 °C (50 °F) et un maximum de 43 °C (109 °F). La plage de température ambiante idéale pour un rendement optimal est comprise entre 15 °C (59 °F) et 32 °C (90 °F). Respecter cette plage de température permet aussi de réduire la consommation d'électricité et d'optimiser l'efficacité du refroidissement. Il est recommandé de ne pas installer le réfrigérateur près d'une source de chaleur comme un four ou un radiateur.



Méthode Recommandée de Mise à la Terre

Un circuit de 115 V CA à 60 Hz relié à la terre et protégé par un fusible de 15 A ou 20 A est requis. On recommande que le réfrigérateur et les accessoires approuvés soient alimentés par un circuit indépendant. Utiliser une prise de courant dont l'alimentation ne peut pas être interrompue par un interrupteur. Ne pas utiliser de rallonge.



Type B

Spécifications électriques

⚠ AVERTISSEMENT



Risque de décharge électrique

Brancher l'appareil sur une prise à 3 alvéoles reliée à la terre.

Ne pas enlever la prise de liaison à la terre.

Ne pas utiliser d'adaptateur.

Ne pas utiliser de rallonge.

Le non-respect de ces instructions peut causer un décès, un incendie ou une décharge électrique.

IMPORTANT : L'installation et le raccordement électrique doivent être réalisés par un technicien qualifié, conformément aux instructions du fabricant et aux règlements de sécurité locaux.

- Le réfrigérateur est conçu pour fonctionner sur un circuit séparé de 115 V, 60 Hz.
- S'assurer que la tension indiquée sur la plaque signalétique correspond à celle de votre domicile.
- Il doit être possible de couper l'alimentation électrique de l'appareil en débranchant sa prise ou au moyen d'un interrupteur bipolaire monté en amont de la prise secteur.
- Si le cordon d'alimentation est endommagé, il doit être remplacé par le fabricant, son agent de réparation ou toute autre personne qualifiée afin d'éviter tout danger.

Avant de placer le réfrigérateur à son emplacement final, il est important de s'assurer d'avoir la connexion électrique appropriée :

IMPORTANT : Si ce produit est connecté à une prise munie d'un disjoncteur de fuite à la terre, un déclenchement intempestif peut se produire et causer une perte de refroidissement. La qualité et la saveur des aliments risquent d'être affectées. Si un déclenchement intempestif se produit et si les aliments semblent de piètre qualité, jeter les aliments.

REMARQUE : Avant d'installer, de nettoyer un quelconque élément, de remplacer une ampoule d'éclairage, désactiver le refroidissement ou placer la commande (du thermostat, réfrigérateur ou congélateur selon le modèle) à Off (arrêt). Sur les modèles avec commande de température numérique, appuyer sur le symbole moins jusqu'à ce qu'un tiret (–) apparaisse sur l'affichage du réfrigérateur et du congélateur. Déconnecter le réfrigérateur de la source de courant électrique. Lorsque vous avez terminé, reconnecter le réfrigérateur à la source d'alimentation électrique et réactiver le refroidissement ou replacer la commande (du thermostat, réfrigérateur ou congélateur selon le modèle) au réglage désiré. Voir le « Guide de démarrage rapide ».

Retrait et réinstallation des portes du réfrigérateur

REMARQUE : En fonction de la largeur de l'ouverture de la porte, il faudra peut-être retirer les portes du réfrigérateur pour pouvoir introduire le réfrigérateur dans le domicile. Si les portes doivent être retirées, consulter les instructions suivantes.

IMPORTANT : Si le réfrigérateur est déjà installé et qu'il doit être déplacé à l'extérieur de la maison, fermer les commandes du réfrigérateur avant de commencer à enlever les portes. Débrancher le réfrigérateur ou déconnecter la source de courant électrique. Retirer les aliments et les balconnets des portes du réfrigérateur.

OUTILS REQUIS : Clés à douille de 5 mm et 6 mm, tournevis cruciforme no 2.

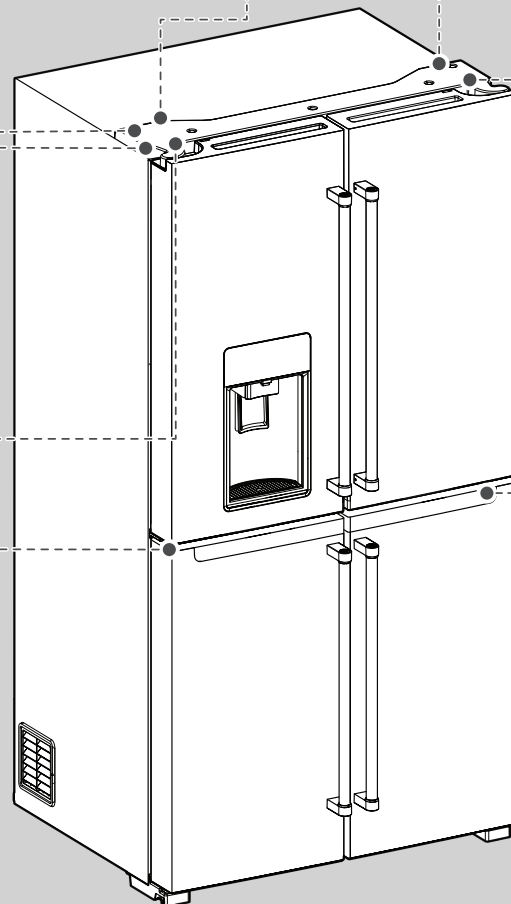
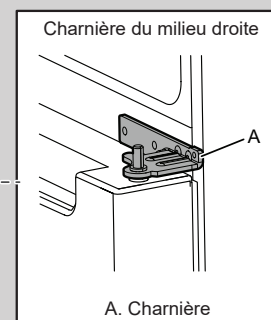
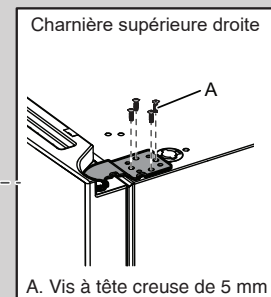
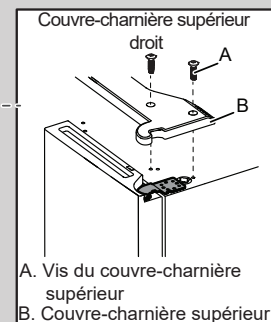
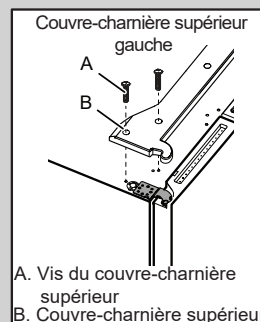
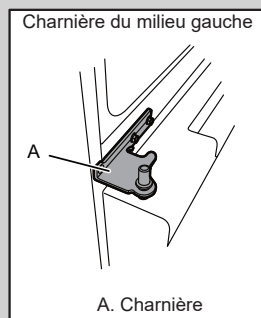
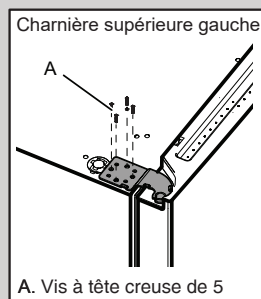
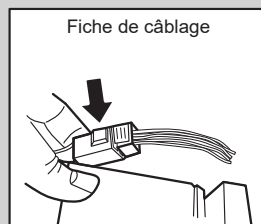
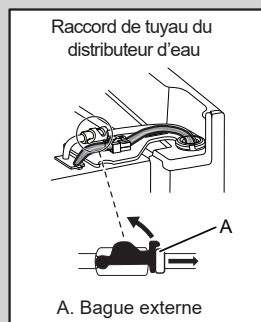


⚠ AVERTISSEMENT

Risque de décharge électrique

Déconnecter la source de courant électrique avant d'enlever les portes.

Le non-respect de cette instruction peut causer un décès ou une décharge électrique.



⚠ AVERTISSEMENT

Risque de poids excessif

Utiliser deux ou plus de personnes pour soulever la porte de l'appareil.

Le non-respect de cette instruction peut causer une blessure au dos ou d'autres blessures.

Retrait des Portes du Réfrigérateur

⚠ AVERTISSEMENT



Risque de décharge électrique

Déconnecter la source de courant électrique avant d'enlever les portes.

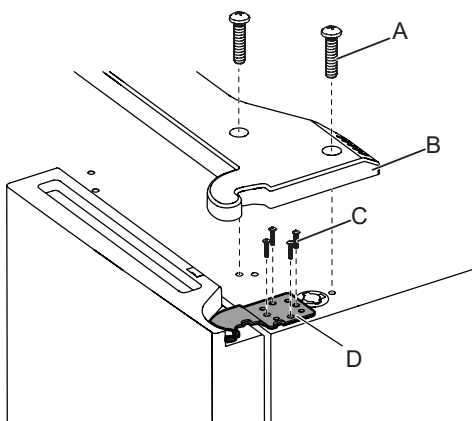
Le non-respect de cette instruction peut causer un décès ou une décharge électrique.

Retrait de la Porte de Droite

1. Débrancher le réfrigérateur ou déconnecter la source de courant électrique.
2. Laisser les portes du réfrigérateur fermées jusqu'au moment de les détacher de la caisse.

REMARQUE : Prévoir un support supplémentaire pour la porte du réfrigérateur pendant le retrait des charnières. La force d'attraction des aimants de la porte ne suffit pas à la maintenir en place pendant la manutention.

3. À l'aide d'un tournevis cruciforme, retirer le couvre-charnière de la charnière supérieure.
4. À l'aide de la clé à douille de 5 mm, retirer les quatre vis de la charnière supérieure et les garder de côté.



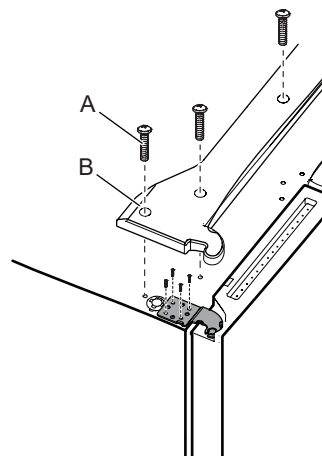
- A. Vis du couvre-charnière supérieur
- B. Couvre-charnière supérieur
- C. Vis à tête creuse de 5 mm
- D. Charnière supérieure

5. Soulever la porte du réfrigérateur de l'axe de la charnière du centre. La charnière supérieure se dégage en même temps que la porte.

Retrait de la Porte de Gauche

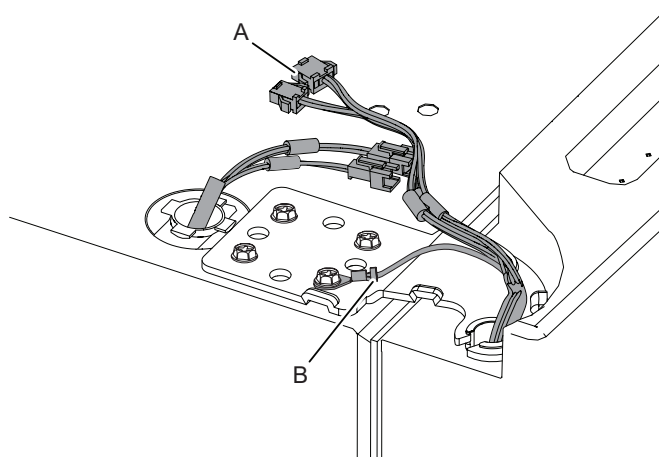
IMPORTANT : Le câblage de l'IU passe par la charnière de la porte de gauche, il doit être déconnecté avant de retirer la porte.

1. À l'aide d'un tournevis cruciforme, retirer le couvre-charnière de la charnière supérieure.



- A. Vis du couvre-charnière supérieur
- B. Couvre-charnière supérieur

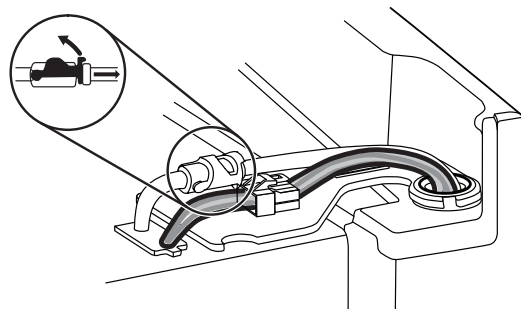
2. Débrancher les deux fiches de câblage situées sur le dessus de la charnière de la porte.
 - Saisir chaque côté des fiches de câblage. Avec le pouce gauche, appuyer sur le loquet pour le dégager et écarter les deux sections des fiches.



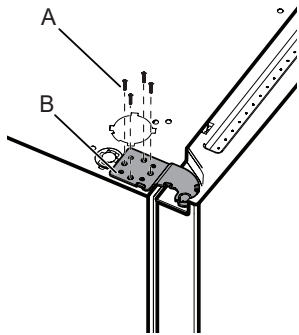
- A. Fiche de câblage
- B. Connecteur de mise à la terre

3. Débrancher le tube du distributeur d'eau situé sur la charnière de la porte. Tirer fermement l'attache vers le haut. Tirer ensuite le tuyau hors du raccord.

REMARQUE : Le tuyau du distributeur d'eau reste fixé à la porte de gauche du réfrigérateur.



- À l'aide de la clé à douille de 5 mm, retirer les quatre vis internes de la charnière et les garder de côté.



A. Vis à tête creuse de 5 mm
B. Charnière supérieure

REMARQUE : Prévoir un support supplémentaire pour la porte du réfrigérateur pendant le retrait des charnières. La force d'attraction des aimants de la porte ne suffit pas à la maintenir en place pendant la manutention.

- Soulever la porte du réfrigérateur de l'axe de la charnière inférieure. La charnière supérieure se dégage en même temps que la porte.

REMARQUE : Il ne sera peut-être pas nécessaire d'enlever les charnières inférieures et les pieds de stabilisation pour faire passer le réfrigérateur dans un cadre de porte.

- Si nécessaire, utiliser une clé à douille de 6 mm et un tournevis cruciforme no 2 pour enlever la charnière du milieu.

Réinstallation de la Porte de Droite du Réfrigérateur

- Placer la porte de droite sur l'axe de la charnière du milieu.
- Insérer l'axe de la charnière supérieure dans le trou du sommet de la porte du réfrigérateur.
- À l'aide de 4 vis à tête creuse de 5 mm, serrer la charnière sur l'appareil. Ne pas complètement serrer les vis.

Réinstallation de la Porte de Gauche du Réfrigérateur

- Placer la porte de gauche sur l'axe de la charnière du milieu.
- À l'aide de 4 vis à tête creuse de 5 mm, serrer la charnière sur l'appareil. Ne pas complètement serrer les vis.
- Rebrancher le câblage électrique.
 - Remboîter deux sections de la fiche de câblage.
 - Rebrancher la mise à la terre à la vis de charnière.

Étapes finales

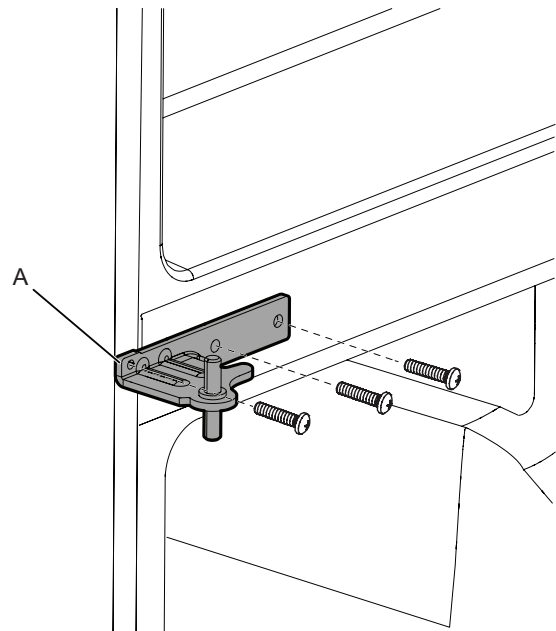
- Serrer à fond les 8 vis à tête creuse de 5 mm.
- Réinstaller les couvre-charnière supérieurs.

Retrait et remise en place de la porte du congélateur/de la zone polyvalente

- Laisser les portes du congélateur fermées jusqu'au moment de les détacher de la caisse.

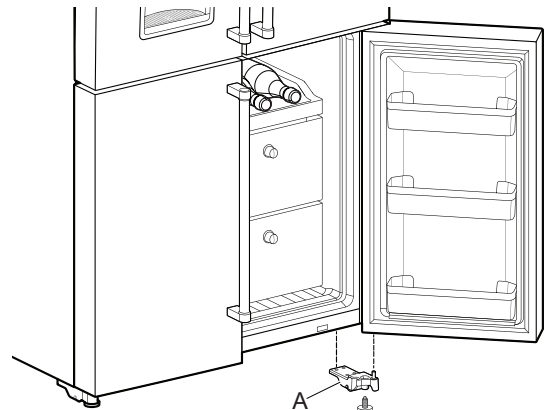
REMARQUE : Prévoir un support supplémentaire pour la porte du congélateur pendant le retrait des charnières. La force d'attraction des aimants de la porte ne suffit pas à la maintenir en place pendant la manutention.

- Utiliser un tournevis cruciforme no 2 et une clé à douille de 6 mm pour enlever la charnière du milieu de la caisse.



A. Charnière du milieu

- Soulever la porte du congélateur de l'axe de la charnière inférieure.



A. Charnières inférieures

Étapes Finales

⚠ AVERTISSEMENT



Risque de décharge électrique

Brancher l'appareil sur une prise à 3 alvéoles reliée à la terre.

Ne pas enlever la prise de liaison à la terre.

Ne pas utiliser d'adaptateur.

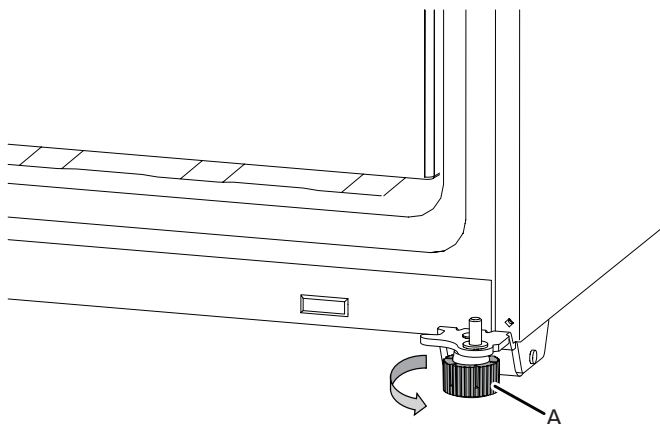
Ne pas utiliser de rallonge.

Le non-respect de ces instructions peut causer un décès, un incendie ou une décharge électrique.

1. Brancher sur une prise reliée à la terre.
2. Replacer toutes les pièces amovibles et tous les aliments dans les tiroirs.

Nivellement du Réfrigérateur

1. Déplacer le réfrigérateur jusqu'à son emplacement final.
2. Avec la main, faire pivoter les pieds de stabilisation. Les tourner dans le sens antihoraire, jusqu'à ce que les roulettes ne touchent plus le sol et que les deux pieds de stabilisation soient fermement en appui sur le sol. Ceci permet d'empêcher le réfrigérateur de rouler vers l'avant à l'ouverture des portes.



A. Pieds de Stabilisation

IMPORTANT : Si des ajustements sont nécessaires par la suite et si cela comprend les pieds de stabilisation, les deux pieds de stabilisation doivent être tournés de façon égale pour conserver l'aplomb du réfrigérateur.

3. À l'aide d'un niveau, vérifier que le réfrigérateur est d'aplomb transversalement et d'avant en arrière.

Spécifications de l'Alimentation en Eau

Une alimentation en eau froide avec une pression entre 20 lb/po² et 145 lb/po² (138 kPa et 1000 kPa) est nécessaire pour faire fonctionner le distributeur d'eau et la machine à glaçons. Pour toute question au sujet de la pression de l'eau, faire appel à un plombier qualifié agréé.

REMARQUE : Si la pression en eau est inférieure aux critères minimaux, le débit du distributeur d'eau pourrait diminuer ou entraîner la formation de glaçons creux ou de forme irrégulière.

Alimentation en Eau par Osmose Inverse

IMPORTANT : La pression de l'alimentation en eau entre le système d'osmose inverse et le robinet d'arrivée d'eau du réfrigérateur doit être entre 20 lb/po² et 145 lb/po² (138 kPa à 1000 kPa).

Si un système de filtration de l'eau par osmose inverse est raccordé à votre alimentation en eau froide de la maison, la pression de l'eau au système doit être d'un minimum de 40 lb/po² à 60 lb/po² (276 kPa à 414 kPa)..

- Vérifier que le filtre à sédiment dans le système à osmose inverse n'est pas obstrué. Remplacer le filtre si nécessaire.
- Laisser le réservoir du système d'osmose inverse se remplir après une utilisation intense. La capacité du réservoir est peut-être trop faible pour répondre aux spécifications du réfrigérateur.
REMARQUE : Un système d'osmose inverse monté sur robinet est déconseillé.
- Si le réfrigérateur comporte un filtre à eau, celui-ci peut réduire la pression de l'eau lorsqu'il est utilisé avec un système d'osmose inverse. Enlever le filtre à eau. Consulter la section « Système de filtration de l'eau ».

Pour toute question au sujet de la pression de l'eau, faire appel à un plombier qualifié agréé.

Raccordement à la conduite d'eau

Lire toutes les instructions avant de commencer.

IMPORTANT :

- Raccorder à la canalisation d'arrivée d'eau potable uniquement.

Ne pas utiliser ce produit pour filtrer une eau microbiologiquement polluée ou de qualité inconnue en l'absence d'un dispositif de désinfection adéquat en amont ou en aval du système. Les systèmes certifiés pour la réduction des kystes peuvent être utilisés pour une eau désinfectée susceptible de contenir des kystes filtrables.

- Réaliser l'installation de plomberie conformément aux prescriptions du International Plumbing Code et des normes et codes locaux en vigueur.
- Il est possible d'utiliser des raccords en cuivre ou en polyéthylène réticulé pour le raccordement de la conduite d'eau du domicile au réfrigérateur; ils contribuent à éviter que l'eau ait un goût ou une odeur désagréable. Vérifier qu'il n'y a pas de fuites.
Si on utilise un tuyau en polyéthylène réticulé au lieu d'un tuyau de cuivre, nous recommandons les numéros de pièce suivants : W10505928 (PEX chemisé de 7 pi [2,14 m]), 8212547 (PEX de 5 pi [1,52 m]) ou W10267701 (PEX de 25 pi [7,62 m]).
- Installer des tubes seulement là où les températures resteront au-dessus du point de congélation.

Outils requis :

Rassembler les outils et pièces nécessaires avant d'entreprendre l'installation.

- Tournevis à tête plate
- Clés plates de 7/16 po et 1/2 po ou 2 clés à molette
- Tourne-écrou de 1/4 po

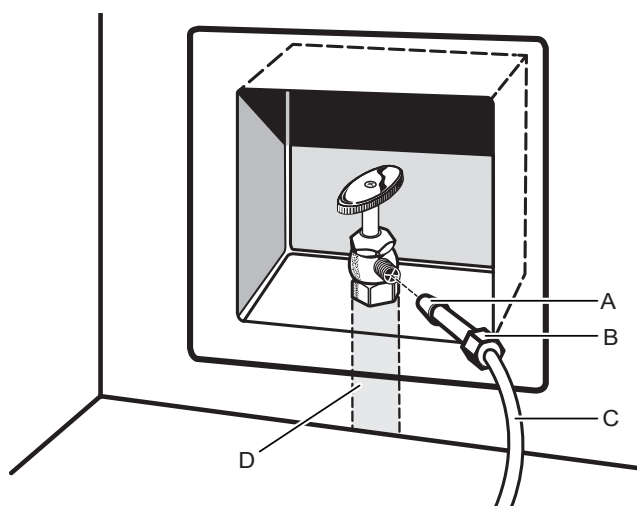
REMARQUE : Ne pas employer de robinet d'arrêt à étrier de 3/16 po (4,76 mm) ou de type à percer, car cela réduit le débit d'eau et augmente le risque d'obstruction.

Raccordement à la canalisation d'eau

IMPORTANT : Si le réfrigérateur est mis en marche avant de raccorder la conduite d'eau, mettre la machine à glaçons à l'arrêt.

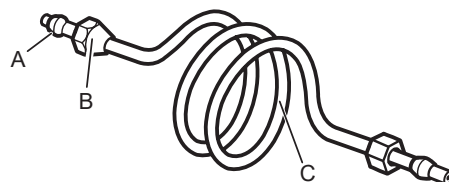
1. Débrancher le réfrigérateur ou déconnecter la source de courant électrique.
2. Couper l'alimentation principale en eau. Ouvrir le robinet le plus proche suffisamment longtemps pour réduire la pression de l'eau dans la conduite d'eau.
3. Utiliser un robinet d'arrêt de 3/4-14 po ou équivalent. Le réfrigérateur est accompagné d'une trousse d'installation avec canalisation d'alimentation domestique pour raccorder le robinet d'arrêt au réfrigérateur.

REMARQUE : L'appareil est accompagné d'une trousse d'installation de l'alimentation en eau. Pour assurer un bon raccordement à l'alimentation en eau, utiliser le bon produit d'étanchéité au raccordement. Vérifier que le raccordement est bien étanche après quelques heures d'utilisation.



A. Gaine
B. Écrou
C. Tube en cuivre (jusqu'au réfrigérateur)
D. Canalisation d'alimentation en eau du domicile

- Installer la bague et l'écrou à compression sur le tuyau en cuivre comme indiqué. (Le tuyau en polyéthylène réticulé possède des viroles et écrous de compression déjà installés.) Insérer l'extrémité du tuyau aussi profondément que possible dans l'extrémité de sortie et à l'équerre. Visser l'écrou de compression sur l'extrémité de sortie du raccord à l'aide d'une clé à molette. Ne pas serrer excessivement.



A. Virole de compression
B. Écrou de compression
C. Tube de cuivre

5. Placer l'extrémité libre de la canalisation dans un contenant ou un évier et rétablir l'alimentation principale en eau pour nettoyer le tuyau jusqu'à ce que l'eau soit limpide. Fermer le robinet d'arrêt de la canalisation d'eau.

REMARQUE : Toujours vidanger le tuyau d'alimentation en eau avant de faire le raccordement final sur l'entrée du robinet pour éviter tout mauvais fonctionnement éventuel du robinet.

6. Courber le tube en cuivre de façon à le raccorder à l'arrivée de la conduite d'eau située à l'arrière de la caisse du réfrigérateur, comme illustré. Laisser une partie du tube en cuivre enroulée pour permettre de dégager le réfrigérateur de la caisse ou du mur en cas de dépannage.

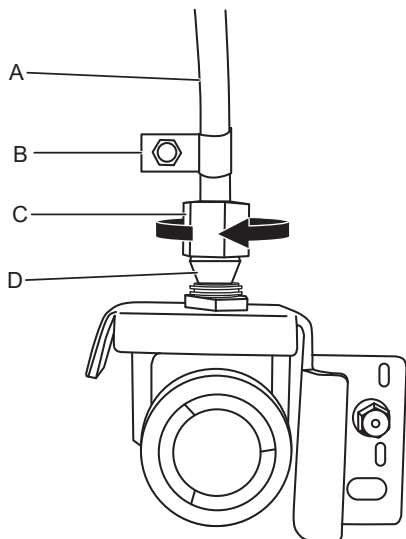
4. On est maintenant prêt à connecter le tuyau en cuivre ou en polyéthylène réticulé au robinet d'arrêt. Utiliser une canalisation en cuivre ou en polyéthylène réticulé de 1/4 po (6,35 mm) (diamètre externe) pour raccorder le robinet d'arrêt au réfrigérateur.

- S'assurer d'avoir la longueur nécessaire pour une installation correcte. Il faut s'assurer que les deux extrémités du tuyau en cuivre sont bien coupées à angle droit.

Raccordement au réfrigérateur

Suivre les instructions relatives au modèle utilisé pour le raccordement.

1. Ôter le bouchon de plastique de l'orifice d'entrée d'eau.
Raccorder le tube en cuivre au robinet d'arrivée d'eau à l'aide d'un écrou et d'une bague de compression, comme illustré.
Serrer l'écrou de compression. Ne pas serrer excessivement.
Vérifier la solidité du raccordement en tirant sur le tube en cuivre.
2. Créer une boucle de service avec le tube en cuivre. Éviter de déformer le tube en cuivre en l'enroulant. Fixer la canalisation en cuivre à la caisse du réfrigérateur à l'aide d'une bride « P ».



A. Tube de cuivre
B. Collier en « P »
C. Écrou de compression
D. Virole de compression

3. Ouvrir l'arrivée d'eau alimentant le réfrigérateur et vérifier l'absence de fuites. Éliminer toute fuite détectée.
4. Si des glaçons sont souhaités, mettre la machine à glaçons en marche.

REMARQUE : Prévoir un délai de 24 heures pour la production du premier lot de glaçons. Jeter les trois premiers lots de glaçons produits. Prévoir un délai de 3 jours pour le remplissage complet du bac d'entreposage.

Installation et Retrait des Poignées

Pièces Fournies : Poignées de porte du réfrigérateur (2), poignée du tiroir du congélateur (2), clés hexagonales de 1/8 po (3,18 mm) et de 3/32 po et vis de réglage supplémentaires.

REMARQUE : La poignée du tiroir du congélateur est plus courte que les poignées de porte du réfrigérateur. Le style des poignées peut varier selon le modèle.

Installation des Poignées

REMARQUE : L'ensemble de poignée est fourni avec des instructions pour installer les poignées dans les portes. Les suivre attentivement.

FILTRES ET ACCESSOIRES

Système de Filtration de l'Eau

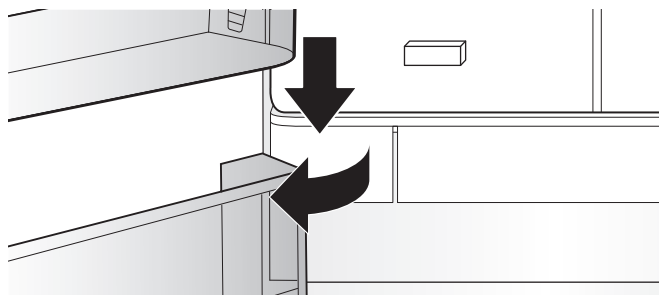
Ne pas utiliser ce produit pour filtrer une eau microbiologiquement polluée ou de qualité inconnue en l'absence d'un dispositif de désinfection adéquat en amont ou en aval du système. Les systèmes certifiés pour la réduction des kystes peuvent être utilisés pour une eau désinfectée susceptible de contenir des kystes filtrables.

Remplacer et Installer le Filtre à Eau

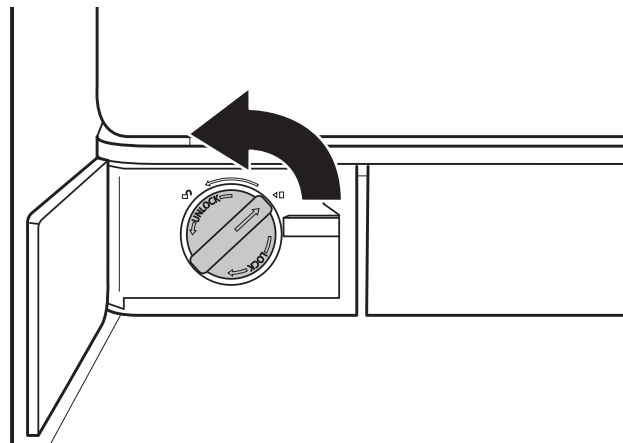
Le filtre à eau devrait être remplacé tous les 6 mois en fonction d'un débit de 0,50 à 0,60 gal/min (1,89 à 2,27 L/min) pour un total de 200 gallons (757 L) d'eau filtrée.

Pour commander un filtre de rechange, nous contacter. Consulter la section « Accessoires » du Guide d'utilisation et d'entretien pour obtenir des renseignements sur le processus de commande.

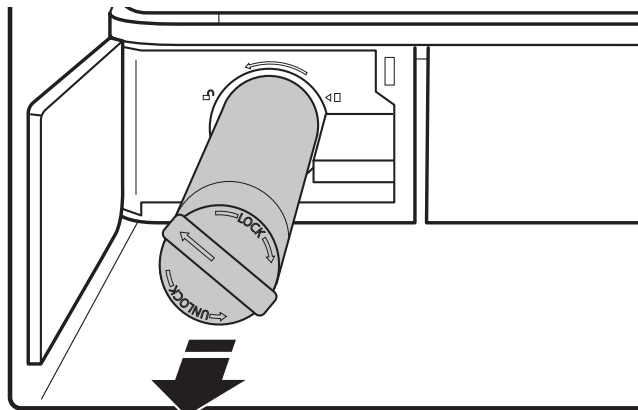
1. Pousser sur la porte du filtre à eau située dans le coin inférieur gauche du réfrigérateur pour l'ouvrir.



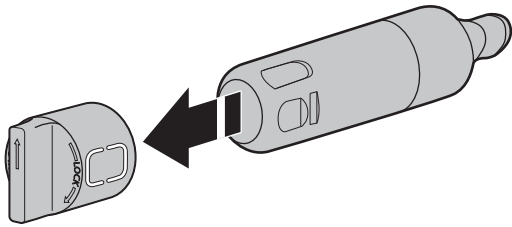
2. Pivoter le filtre à eau et tourner de 90 degrés dans le sens antihoraire pour le déverrouiller.



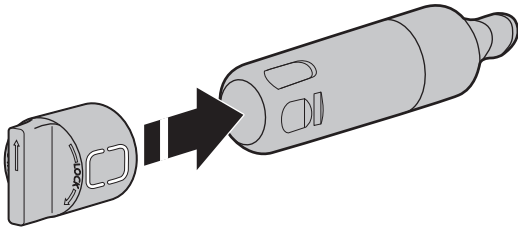
3. Retirer le filtre du compartiment.



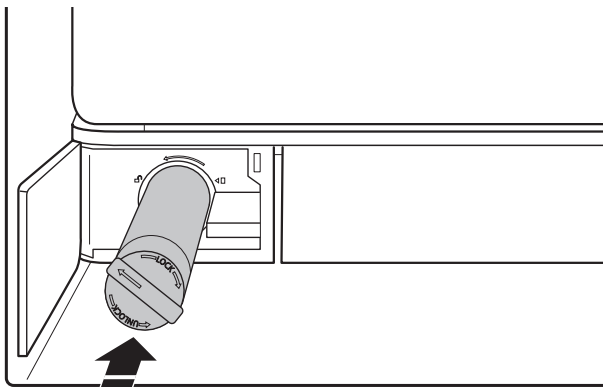
4. Retirer le capuchon du filtre à eau qui doit être remplacé.



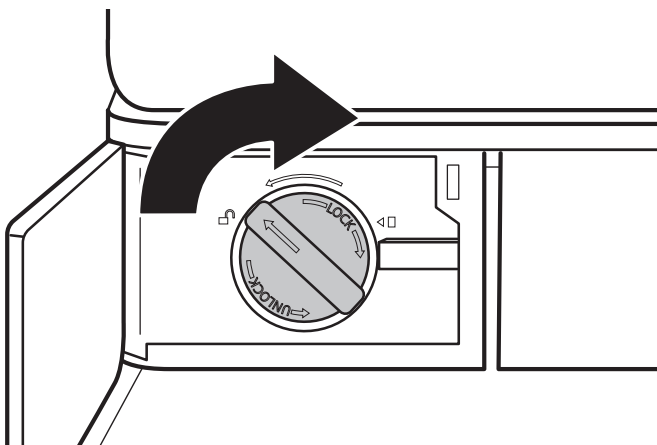
5. Installer le capuchon de filtre à eau sur le nouveau filtre. Aligner correctement les flèches pour que les rainures du filtre soient alignées avec les nervures du capuchon.



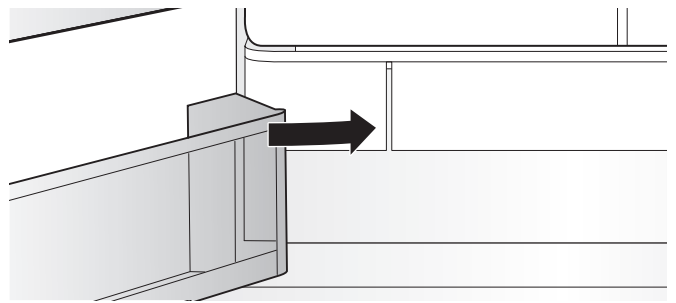
6. Placer le filtre dans le compartiment.



7. Pivoter le filtre à eau et tourner de 90 degrés dans le sens horaire pour le verrouiller en place et aligner les flèches.



8. Refermer la porte du filtre à eau.



9. Réinitialiser le compteur du filtre en utilisant l'interface utilisateur. Consulter la procédure pour réinitialiser le filtre de la section « Commandes de l'utilisateur ».

Témoin Lumineux du Filtre à Eau

Le témoin lumineux de l'État du Filtre à eau vous aidera à savoir quand changer le filtre à eau.

- **COMMANDER FILTRE** (jaune) – Il est presque temps de changer le filtre à eau. L'icône « Order Filter » (Commander Filtre) S'AFFICHE (ON) en tout temps, mais est ÉTEINTE (OFF) en Showroom mode (mode Exposition).
- **REPLACER FILTRE** (rouge) – Remplacer le filtre à eau. Au cours de la distribution d'eau, « Replace Filter » (Remplacer Filtre) clignote sept fois et un signal d'alerte retentit trois fois.
REMARQUE : REPLACER FILTRE reste allumée si le filtre n'est pas réinitialisé sur l'interface utilisateur (IU).
- **RÉINITIALISATION DU FILTRE** – Appuyer sur le bouton « Réinitialisation Du Filtre » pendant 3 secondes pour réinitialiser le filtre à eau. L'affichage exécutera un compte à rebours de 3 secondes, puis fera clignoter l'icône et fera entendre un signal.

Accessoires

Consulter le Guide de Démarrage Rapide pour les Informations de Commande en Ligne.

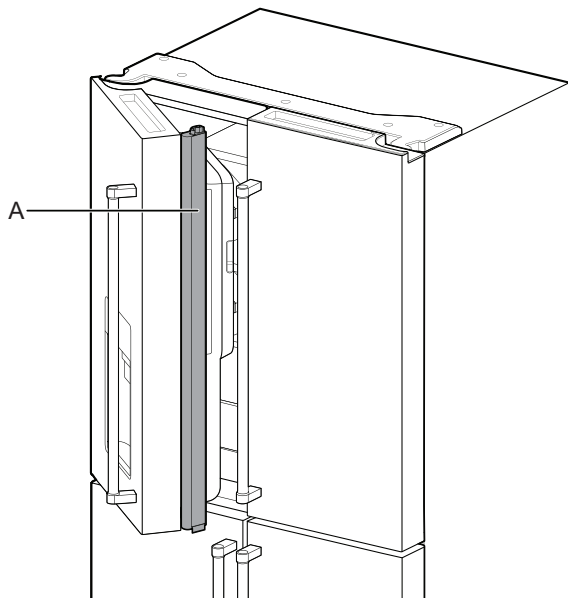
UTILISATION DU RÉFRIGÉRATEUR

Ouverture et Fermeture des Portes

Il y a deux portes pour le compartiment des aliments frais. Les portes peuvent être ouvertes et fermées séparément ou ensemble. Il y a sur la porte de gauche du réfrigérateur un joint à charnière verticale.

- Lors de l'ouverture de la porte du côté gauche, le joint à charnière se replie automatiquement vers l'intérieur pour qu'il n'y ait pas d'interférence.
- Lorsque les deux portes sont fermées, le joint à charnière assure automatiquement l'étanchéité entre les deux portes.

REMARQUE : Le joint à charnière devrait être à la bonne position (plié vers l'intérieur) lorsque la porte est fermée. Si ce n'est pas le cas, il frappera la porte de droite ou l'axe de fixation.

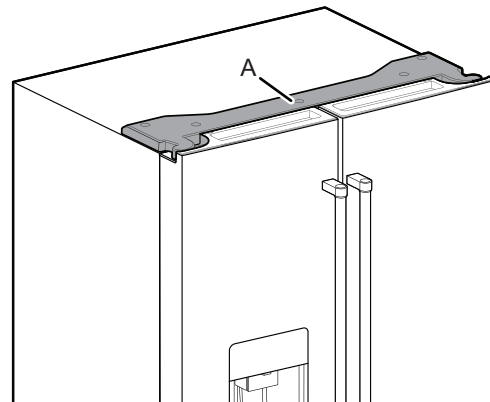


A. Joint à charnière

Le commutateur de la porte du compartiment des aliments frais est situé dans le coin supérieur gauche et le couvercle de la charnière de droite.

- Pour le congélateur et la zone convertible, le commutateur est situé dans le montant du bas.
- Le commutateur de porte utilise un aimant pour capter l'ouverture et la fermeture de la porte.
- S'assurer qu'aucun aimant ou appareil électronique (enceinte, CoolVox®, etc.) ne se trouve à moins de 7,62 cm du couvercle-charnière.

REMARQUE : L'éclairage ne se met pas en marche s'il n'y a pas de détection d'ouverture de porte.

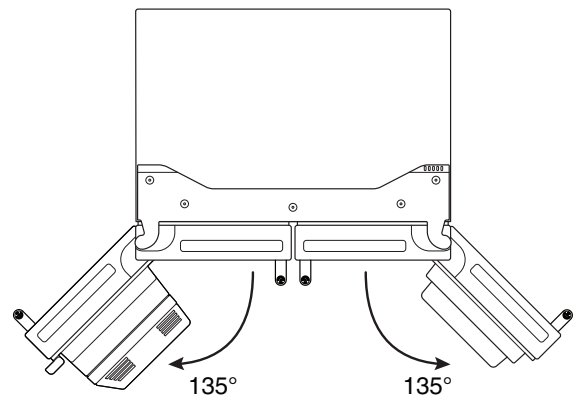


A. Couvercle-charnière

Ajuster la Hauteur de Tablettes

La hauteur des tablettes peut être ajustée en changeant leur position, des supports du bas aux supports du haut ou inversement.

- Ouvrir complètement les portes de gauche et de droite de 130°.



Distributeur à Glaçons

IMPORTANT :

- Des glaçons creux ou dont la forme est irrégulière peuvent être causés par une faible pression d'eau. Voir la section « Spécifications de l'alimentation en eau ».
- Les glaçons passent du bac d'entreposage à glaçons au distributeur par le goulet du distributeur. Pour éteindre la machine à glaçons, consulter la section « Machine à glaçons et bac d'entreposage ».
- Il est possible que le distributeur continue à faire du bruit et à distribuer des glaçons pendant plusieurs secondes après avoir relâché le bouton ou la plaque du distributeur.

Nettoyage du Goulot du Distributeur à Glaçons :

L'humidité entraîne l'agglomération des glaçons. Des particules de glace peuvent s'accumuler et obstruer le goulot du distributeur à glaçons.

Si on n'a pas besoin de distribuer des glaçons régulièrement, il peut s'avérer nécessaire de vider le bac d'entreposage à glaçons et de nettoyer à la fois le goulot de distribution des glaçons, le bac d'entreposage à glaçons et la zone située sous le bac d'entreposage toutes les 2 semaines.

- Si nécessaire, retirer les glaçons obstruant le bac d'entreposage et le goulot de distribution des glaçons à l'aide d'un ustensile en plastique.
- Nettoyer le goulot de distribution des glaçons et le fond du bac d'entreposage à glaçons à l'aide d'un chiffon tiède et humide, puis sécher soigneusement ces deux sections.

Distribution de Glaçons – Plaque de Distribution

1. Sélectionner le type de glace désiré en appuyant sur CUBED ICE (GLAÇONS) ou CRISHED ICE (GLACE CONCASSÉE).

⚠ AVERTISSEMENT



Risque de coupure

Utiliser un verre robuste pour la distribution de glaçons.

Le non-respect de cette instruction peut causer des coupures.

2. Appuyer un verre robuste contre la plaque de distribution. Tenir le verre près de l'ouverture du distributeur pour que les glaçons ne tombent pas à côté du verre.

IMPORTANT : Il n'est pas nécessaire d'exercer une pression importante sur la plaque pour activer le distributeur de glaçons. Une pression forte ne donne pas une distribution plus rapide de glaçons ou des quantités plus grandes.

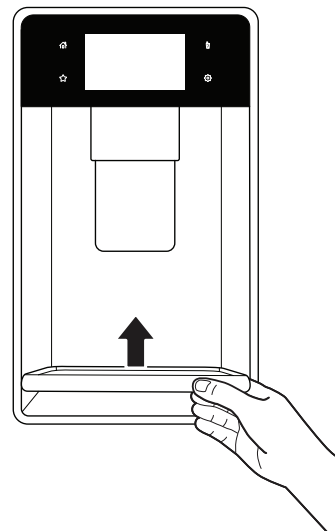
3. Retirer le verre pour arrêter la distribution.

REMARQUE : La distribution de glaçons peut se poursuivre pendant plusieurs secondes après que le verre a été retiré de la plaque du distributeur. Le distributeur peut continuer à faire du bruit pendant quelques secondes après la distribution.

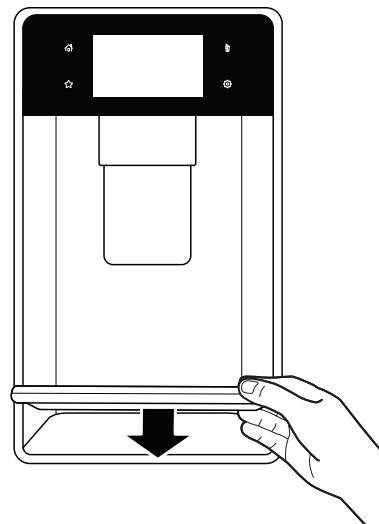
Plateau d'Égouttement du Distributeur

Le plateau d'égouttement peut être retiré pour être nettoyé. Utiliser les étapes suivantes à partir de la position tirée.

- Soulever l'avant du plateau et tirer vers l'avant pour le retirer.



- Placer l'avant du plateau en angle vers le haut pour le tirer.



Pour le réinstaller, suivre les deux étapes suivantes.

- Placer le plateau à l'horizontale sur les rails en laissant un peu d'espace à la partie arrière.
- Pousser vers le bas et tirer vers soi pour l'engager sur les rails.

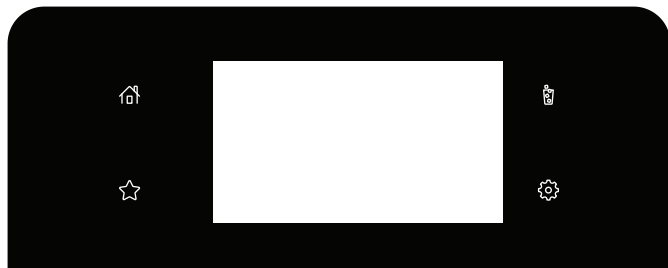
Le plateau d'égouttement peut être retiré pour remplir un contenant plus grand avec le Measured Fill (Remplissage Mesuré).





Lumière du Distributeur

1. Lorsqu'on utilise le distributeur, l'éclairage s'allume automatiquement.

Utilisation des Commandes

Le présent manuel couvre plusieurs modèles. Votre modèle peut comporter toutes les caractéristiques énumérées ou seulement certaines d'entre elles.



| Bouton | Fonction | Instructions |
|--|---|--|
| Tools (Outils)  | Fonction d'utilisation du réfrigérateur | Permet de personnaliser les signaux sonores et le fonctionnement du réfrigérateur selon les préférences de l'utilisateur. Voir les sections « Outils » et « Plus de modes ». |
| Home (Accueil)  | Écran d'accueil | En appuyant une fois, l'utilisateur peut revenir à l'écran d'accueil. L'écran d'accueil s'éteint après 2 minutes, puis affiche l'horloge. |
| Favorites (Favoris)  | Favoris | Le clavier des favoris permet à l'utilisateur de sauvegarder les quantités d'eau qu'il utilise le plus souvent. L'utilisateur peut aussi accéder à ses favoris enregistrés en fonction de l'heure de la journée. |
| Ice (Crème)  | Fonction de glaçons | Passer de crushed ice (glace concassée) à cubed ice (glaçons) |

REMARQUE : L'utilisateur peut remarquer des zones plus lumineuses du rétroéclairage de l'écran ACL vers le bas de l'interface utilisateur ACL. Ceci est normal et n'est visible que pendant les 30 premières secondes du démarrage du produit.

Touch Panel (Panneau Tactile)

Le touch panel (tableau tactile) regroupe le menu de commande et les commandes des différentes fonctions. Le panneau tactile est très sensible, il suffit d'un léger toucher pour l'activer. Naviguer vers le haut, le bas, la gauche ou la droite pour explorer les différentes options et fonctions.

Pour plus d'information sur chaque commande, voir leurs sections respectives dans ce manuel.

Display (Affichage)

Le display (affichage) sert à la fois pour le menu et les commandes de fonctionnement du réfrigérateur. L'écran tactile permet de faire défiler les menus du réfrigérateur. Le display (affichage) est très sensible; il suffit d'un léger toucher pour l'activer et sélectionner les commandes.

Après environ 2 minutes d'inactivité, le display (affichage) passe au mode de veille et l'affichage s'assombrit. Lorsque le réfrigérateur fonctionne, le display (affichage) reste lumineux.

Au cours de l'utilisation, le display (affichage) indique les menus et les sélections appropriées pour les options choisies.

Demo Mode (Mode de Démonstration)

Pour accéder en Demo Mode (Mode de Démonstration), accéder à la section **Info** sous **Settings (Réglages)** et sélectionner **Demo (Démonstration)**. L'utilisateur devra confirmer qu'il veut utiliser le Demo Mode (Mode de Démonstration). Une fois en Demo (Démonstration), l'IHM commence à afficher des vidéos de marketing.

AVERTISSEMENT : Le produit ne refroidit pas en Demo Mode (Mode de Démonstration)

Pour quitter Demo Mode (Mode de Démonstration), toucher l'écran pour arrêter la lecture de la vidéo. L'utilisateur aura alors la possibilité d'**Essayer le Produit ou de Regarder la Vidéo**.

L'utilisateur sélectionne ensuite **Try the Product (Essayer le produit)**, puis l'écran revient à l'Écran D'Accueil. L'utilisateur doit ensuite accéder à la section **Info** sous **Settings (Réglages)** et sélectionner **Demo (Démonstration)**. L'utilisateur devra confirmer qu'il souhaite quitter Demo Mode (Mode de Démonstration). L'interface utilisateur revient alors à l'Écran d'Accueil.

Tools (Outils)

La touche Tools (Outils) permet d'accéder aux fonctions et de personnaliser les options du réfrigérateur. Ces outils permettent de régler l'horloge, d'alterner entre unités Fahrenheit et Celsius pour la température, d'activer ou de désactiver les signaux sonores et les messages, de choisir la langue et plus.

Sélectionner le clavier des Tools (Outils) pour afficher les outils :

- Kitchen Timer (Minuterie de cuisine)
- Water Filter (Filtre à eau)
- Pure Control (contrôle de pureté)
- Control Lock (Verrouillage des Commandes)
- Mute (Sourdine)
- Light (Lampe)

Voir la section « Plus de modes » pour plus de renseignements.

| Outil | Remarques |
|--|--|
| Kitchen Timer (Minuterie de cuisine) | Régler la minuterie de cuisine en saisissant le temps désiré à l'aide du clavier. <ol style="list-style-type: none"> 1. Sélectionner KITCHEN TIMER (MINUTERIE DE CUISINE). 2. Entrer manuellement le temps désiré. 3. Sélectionner START (MISE EN MARCHE). 4. Sélectionner CANCEL (ANNULLATION) pour mettre fin à la minuterie de cuisine. |
| Water Filter (Filtre à eau) | Affiche l'état du filtre. Réinitialiser l'état du filtre <ol style="list-style-type: none"> 1. Sélectionner INSTALL NEW (INSTALLER UN NOUVEAU) et suivre les instructions de réinitialisation à l'écran. 2. Suivre les instructions du menu « Filter » (Filtre) pour acheter des filtres. |
| Control Lock (Verrouillage des Commandes) | Control Lock (Verrouillage des Commandes) désactive les touches du tableau de commande pour éviter l'utilisation involontaire du réfrigérateur. Control Lock (Verrouillage des Commandes) reste activé après une coupure de courant. Lorsque les commandes sont verrouillées, l'utilisateur ne peut utiliser aucun bouton ni aucune palette du distributeur. Pour Verrouiller/Déverrouiller les Commandes : Pour Lock (Verrouiller) l'interface utilisateur, accéder à la section Control Lock (Verrouillage des Commandes) sous Settings (Réglages) . Pour Unlock (Déverrouiller), suivre les instructions à l'écran en « défilant vers le haut pour déverrouiller ». |
| Mute (Sourdine) | Sélectionner MUTE (SOURDINE) pour enlever ou remettre les sons du réfrigérateur. |
| Light (Lampe) | Sélectionner LIGHT (LAMPE) pour allumer ou éteindre la lampe du distributeur. |

Préférences

Times and Dates (Heures et Dates)

Régler les préférences pour l'heure et la date.

REMARQUE : Si l'appareil est connecté au réseau Wi-Fi, l'heure et la date se règlent automatiquement.

Sound Volume (Volume sonore)

Régler les préférences pour le volume sonore.

- Timers and Alerts (minuterie et alertes)
- Buttons and Effects (boutons et effets)

Display Settings (Réglages de l'Écran)

- Display Brightness (Luminosité de l'Affichage)

L'utilisateur doit avoir la possibilité de régler la luminosité de l'écran.

- Eco Mode (Mode Éco) :

L'utilisateur doit également avoir la possibilité de choisir son mode d'affichage préféré lorsque l'interface utilisateur est en mode veille. L'utilisateur peut régler le mode d'affichage dans la section **Eco Mode (Mode Éco) de Display Settings (Réglages de l'Écran)**.

REMARQUE : Si le Eco Mode (Mode Éco) est sélectionné, l'écran d'affichage s'éteint complètement. L'écran peut être réveillé en touchant n'importe quel endroit de l'écran ou en appuyant sur la palette d'eau ou de glace.

Favorites (Favoris)

La fonction Favoris sauvegarde vos quantités favorites de distribution d'eau.

Régional

Régler les préférences régionales.

- **Language (Langue) :** L'utilisateur a le choix entre 21 langues.
- **Temperature Units (Unités de Température) :** Fahrenheit et Celsius.

Info

- **Service and Support (Service et Assistance) :** Affiche le numéro de modèle, les Informations pour contacter le Service à la Clientèle et le Diagnostic.
- **Demo Mode (Mode de Démonstration) :** Sélectionner le mode Store Demo (Démonstrateur en Magasin) pour mettre en marche et arrêter ce mode.
 Consulter la section « Using the Controls » (Utilisation des commandes) pour plus de renseignements.

Visualisation et modification des points de réglage de température

À titre de commodité, les commandes du réfrigérateur et du congélateur sont pré-réglées à l'usine.

Lors de l'installation initiale du réfrigérateur, s'assurer que les commandes sont encore pré-réglées aux points de réglage recommandés. Les points de consigne recommandés en usine sont 3 °C (37 °F) pour le réfrigérateur et -18 °C (0 °F) pour le congélateur ainsi que -18 °C (0 °F) pour le compartiment décapotable.

IMPORTANT :

- Attendre 24 heures avant d'ajouter des aliments dans le réfrigérateur. Si on ajoute des aliments avant que le réfrigérateur ne soit complètement refroidi, les aliments risquent de se gaspiller.

REMARQUE : Placer les points de réglage à un réglage plus froid que celui qui est recommandé ne refroidira pas les compartiments plus rapidement.

- Si la température est trop tiède ou trop froide dans le réfrigérateur ou le congélateur, vérifier d'abord les événements pour s'assurer qu'ils ne sont pas bloqués, avant de régler les commandes.
- Les réglages recommandés devraient être corrects pour une utilisation domestique normale. Les réglages sont faits correctement lorsque le lait ou le jus sont aussi froids que désiré et lorsque la crème glacée est ferme.

REMARQUE : Dans des zones comme un garage, un sous-sol ou un porche, la température peut être extrême ou le taux d'humidité supérieur à celui de votre domicile. Il peut s'avérer nécessaire de modifier la température à d'autres réglages que les réglages recommandés afin de s'adapter à ces conditions.

- Attendre au moins 24 heures entre chaque modification. Vérifier à nouveau les températures avant de procéder à d'autres modifications.

Visualisation et Modification des Points de Réglage de Température

1. Le réglage de la température est accessible sous **Refroidissement Fonctions >Températures (Fonctions spéciales >Températures)**.
2. Il sera alors possible de voir ou modifier les températures du : Réfrigérateur, congélateur et compartiment convertible.

Température Recommandée du Réfrigérateur



Température Recommandée du Congélateur



Modification des points de réglage de température

Échelle de réglage du réfrigérateur : 33 °F à 42 °F (0,5 °C à 5,5 °C)

Échelle de réglage du congélateur : -5 °F à 5 °F (-21 °C à -15 °C)

Pour modifier les points de réglage de température, utiliser le tableau suivant comme guide :

| ÉTAT : | RÉGLAGE DE LA TEMPÉRATURE : |
|--------------------------|---|
| Réfrigérateur trop froid | Réfrigérateur, 1 point de réglage plus élevé |
| Réfrigérateur trop tiède | Réfrigérateur, 1 point de réglage moins élevé |
| Congélateur trop froid | Congélateur, 1 point de réglage plus élevé |
| Congélateur trop tiède | Congélateur, 1 point de réglage moins élevé |

Plus de modes

Fast Freeze (Congélation Rapide)

La fonction Fast Freeze (Congélation Rapide) augmente le refroidissement pour environ 50 heures. La durée varie selon les modèles.

Pour activer la fonction Fast Freeze (Congélation Rapide), accéder à la section **Fast Freeze (Congélation Rapide)** sous **Cooling Functions (Fonctions de Refroidissement)**. Lorsqu'elle est activée, le congélateur se refroidit plus rapidement qu'à la normale.

Lorsqu'elle est activée, l'icône Fast Freeze (Congélation Rapide) s'affiche sur l'écran de l'horloge et indique le temps restant avant qu'elle ne soit désactivée. Appuyer sur l'icône permet d'accéder à l'écran Fast Freeze (Congélation Rapide) où il est possible de désactiver la fonction.

Pour désactiver la fonction Fast Freeze (Congélation Rapide), accéder à la section **Fast Freeze (Congélation Rapide)** sous **Cooling Functions (Fonctions de Refroidissement)**. Le réglage de la température du congélateur aura pour effet de désactiver automatiquement la fonction Fast Freeze (Congélation

Rapide).

REMARQUE : Le réglage du congélateur à une température plus froide peut rendre certains aliments, comme la crème glacée, plus durs.

Fast Cool (Refroidissement rapide)

La caractéristique de Fast Cool (Refroidissement Rapide) est utile lors de périodes d'utilisation intense du réfrigérateur, de l'ajout d'une grande quantité d'aliments ou de l'élévation temporaire de la température de la pièce. Cette caractéristique reste activée environ 2 heures. La durée varie selon les modèles.

- Pour activer la fonction Fast Cool (Refroidissement Rapide), accéder à la section **Fast Cool (Refroidissement Rapide)** sous **Cooling Functions (Fonctions de Refroidissement)**. Lorsqu'elle est activée, le réfrigérateur se refroidit plus rapidement qu'à la normale.
- Lorsqu'elle est activée, l'icône Fast Cool (Refroidissement Rapide) s'affiche sur l'écran de l'horloge et indique le temps restant avant qu'elle ne soit désactivée.
- Appuyer sur l'icône permet d'accéder à l'écran Fast Cool (Refroidissement Rapide) où il est possible de désactiver la fonction.
- Pour désactiver la fonction Fast Cool (Refroidissement Rapide), accéder à la section **Fast Cool (Refroidissement Rapide)** sous **Cooling Functions (Fonctions de Refroidissement)**. Le réglage de la température du réfrigérateur aura pour effet de désactiver automatiquement la fonction Fast Cool (Refroidissement Rapide).

REMARQUE : Le réglage du réfrigérateur à une température plus froide peut rendre certains aliments, comme la crème glacée, plus durs.

Water Filter Reset (Réinitialisation du Filtre à Eau)

Affiche l'état du filtre à eau.

REMARQUE : Pendant la distribution, l'interface utilisateur doit indiquer à l'utilisateur qu'il est temps de changer le filtre à eau.

Pour remplacer le filtre, accéder à Tools (Outils), puis Filter (Filtre).

Réinitialiser l'état du filtre

1. Sélectionner **INSTALL NEW (INSTALLER UN NOUVEAU)** et suivre les instructions de réinitialisation à l'écran.
2. Suivre les instructions de la section « Filters and Accessories » (Filtres et Accessoires) pour acheter des filtres.

No Freezer Burn Feature (Pas de brûlure de congélation – Fonction)

Cette fonction réduit la migration d'humidité des aliments congelés. Cette fonction permet de sous-refroidir le compartiment congélateur avant le dégivrage afin de réduire les variations de température. Cette fonction est activée pendant un maximum de 2 heures avant le dégivrage.

Vacation Mode (Mode Vacances)

En Vacation Mode (Mode Vacances), le réfrigérateur fonctionne plus efficacement afin d'économiser de l'énergie pendant votre absence. Le réglage de la température du réfrigérateur aura pour effet de désactiver automatiquement le Vacation Mode (Mode Vacances). En sélectionnant cette fonction, la température du compartiment des aliments frais est automatiquement placée à une température plus froide. Cette fonction ne s'applique pas au congélateur et au compartiment à température variable.

Une alerte de porte entrouverte aura pour effet de désactiver automatiquement le mode Holiday (mode vacances).

IMPORTANT : Lorsque le Vacation Mode (Mode Vacances) est activé, la distribution d'eau et de glaçons est désactivée.

REMARQUE : L'utilisateur peut choisir de désactiver le refroidissement en mettant le réfrigérateur en Demo Mode (Mode de Démonstration).

Consulter la section « Utilisation des commandes » pour plus de renseignements.

Door Ajar Alarm (Alarme de Porte Entrouverte)

La fonction Door Ajar Alarm (Alarme de Porte Entrouverte) fait retentir un signal d'alarme lorsqu'une porte ou un tiroir du congélateur est ouvert pendant 5 minutes et que le refroidissement est activé. L'alarme retentit toutes les 2 minutes. Fermer toutes les deux portes pour l'arrêter.

Special Occasions (Occasions Spéciales)

Active temporairement la fonction Fast Cool (Refroidissement Rapide) pour baisser la température de votre réfrigérateur et refroidir rapidement les nouveaux aliments.

Organiser une Réception

Active temporairement les fonctions Fast Freeze (Congélation Rapide) et Fast Cool (Refroidissement Rapide) pour abaisser la température du réfrigérateur lors des ouvertures fréquentes de la porte.

Mariner de la viande

Permet à l'utilisateur d'utiliser une minuterie pour connaître la durée pendant laquelle la viande marine. L'utilisateur pourra sélectionner une minuterie en fonction des recommandations affichées à l'écran.

Refroidir une boisson dans le congélateur

Règle une minuterie de 25 minutes pour que l'utilisateur n'oublie pas sa boisson dans le réfrigérateur.

Nettoyer l'intérieur du réfrigérateur

Ferme temporairement le refroidissement et l'alerte de porte ouverte pendant 30 minutes pour permettre à l'utilisateur de nettoyer le réfrigérateur.

Éclairage du Réfrigérateur

Le réfrigérateur est muni d'une lampe intérieure qui s'allume chaque fois que la porte est ouverte.

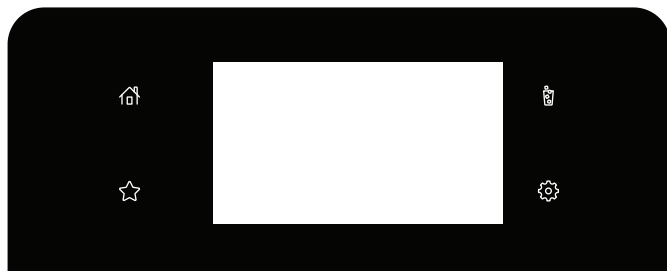
REMARQUE : Si la DEL ne s'allume pas quand on ouvre la porte, appeler le service de dépannage pour faire changer la lampe.

Icônes

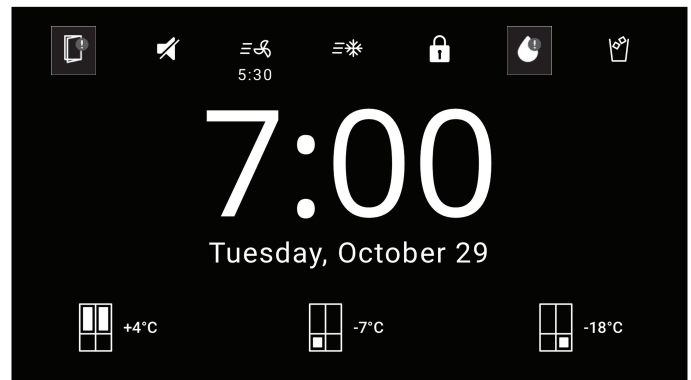
L'écran de l'horloge affiche aussi l'état des icônes. Appuyer sur ces icônes permet aussi de naviguer vers les réglages respectifs.











Pour régler le mode d'affichage, l'utilisateur doit se rendre dans la section Display Settings (Paramètres d'affichage) sous Preferences (Préférences).

Display Mode (Mode d'Affichage) : Eco Mode (Mode Éco)



Display Mode (Mode d'Affichage) : Clock Screen (Écran d'horloge)

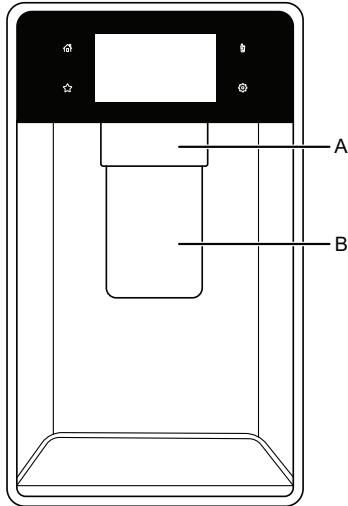


| | | | |
|---|--|---|--|
|  | Control Lock (Verrouillage des Commandes) |  | Mute (Sourdine) |
|  | Door Open (Porte Ouverte) |  | Crushed Ice (Glace concassée)/ Cubed Ice (Glace en Cube) |
|  | Fast Cool Enabled (Refroidissement Rapide Activé) |  | Water Filter Overdue (Filtre à eau en retard) |
|  | Fast Ice Enabled (Glaçons rapides activé) |  | Convertible compartment (Compartiment convertible) |
|  | Refrigerator compartment (Compartiment de réfrigération) | | |
|  | Freezer compartment (Tiroir du congélateur) | | |

Distributeurs d'Eau et de Glaçons

IMPORTANT :

- Attendre 3 heures pour que le réfrigérateur et l'eau refroidissent.
- Prévoir un délai de 24 heures pour la production du premier lot de glaçons. Jeter les 3 premières quantités de glaçons produites.
- Le système de distribution ne fonctionne pas lorsque la porte gauche du réfrigérateur est ouverte.



A. *Plaque du distributeur d'eau*
B. *Plaque de distribution de glace*

Rinçage du Circuit d'Eau

De l'air piégé dans le système de distribution d'eau peut faire dégoutter le distributeur d'eau. Après avoir raccordé le réfrigérateur à une source d'alimentation en eau ou remplacé le filtre à eau, vidanger le circuit d'eau.

Le fait de rincer le système de distribution d'eau évacue l'air de la canalisation et du filtre et conditionne le filtre à eau. Un amorçage supplémentaire peut s'avérer nécessaire dans certains domiciles.

REMARQUE : Pendant l'évacuation de l'air du système, de l'eau peut gicler du distributeur.

1. Utiliser un récipient robuste pour appuyer sur la plaque du distributeur d'eau pendant 5 secondes.
2. Relâcher la plaque du distributeur pendant 5 secondes. Répéter les étapes 1 et 2, jusqu'à ce que l'eau commence à couler.
3. Une fois que l'eau commence à couler, continuer d'appuyer et de relâcher la plaque du distributeur (appui pendant 5 secondes, relâchement pendant 5 secondes) jusqu'à ce qu'un total de 3 gal (12 L) ait été distribué.

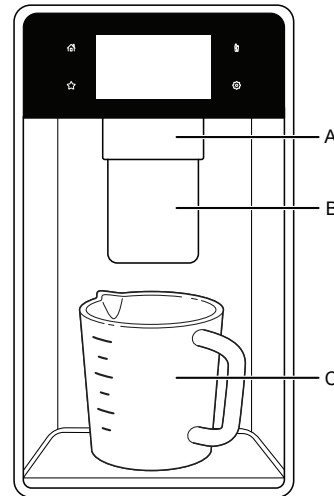
Calibrage de distribution

La pression en eau du domicile peut affecter la précision de la fonction de Measured Fill (Remplissage Mesuré). Pour un rendement optimal du distributeur d'eau, il faut d'abord calibrer la fonction de Measured Fill (Remplissage Mesuré).

IMPORTANT :

- Purger le circuit d'eau avant de calibrer le Measured Fill (Remplissage Mesuré).
 - Pour de meilleurs résultats, le calibrage doit être effectué lorsque personne n'utilise d'eau dans le domicile.
1. Placer une tasse à mesurer robuste (format 1 tasse [0,2 L]) sur le plateau d'égouttement du distributeur, centrée devant la plaque de distribution d'eau/de glaçons.

REMARQUE : Pour certains modèles, une tasse à mesurer est incluse.



A. *Plaque du distributeur d'eau*
B. *Plaque de distribution de glace*
C. *Tasse à mesurer (1 tasse)*

Veiller à ne pas sélectionner de pré-réglage pour la fonction de Measured Fill (Remplissage Mesuré).

2. Pour calibrer votre eau, accéder à la section **Dispensing Calibration (Calibrage de distribution)** sous **Tools/Setup (Outils/Installation)**. L'utilisateur peut aussi accéder à la calibration lors de la séquence de déballage, lorsque le produit est mis sous tension pour la première fois.
3. Maintenir enfoncée la plaque du distributeur à eau, aussi longtemps que nécessaire, pour remplir la tasse d'eau jusqu'à la ligne de remplissage de 1 tasse.

REMARQUE : Si un remplissage excessif ou un renversement se produit, jeter l'eau et réinitialiser le processus de calibrage.

4. Une fois qu'une tasse d'eau a été correctement versée dans la tasse à mesurer, appuyer sur OK pour confirmer le calibrage.

Distribution

Appuyer sur la touche CUBED ICE (GLAÇONS) ou CRUSHED ICE (GLACE CONCASSÉE) pour la sélection de glaçons.

REMARQUES :

- Pour de la glace concassée, les glaçons sont concassés avant d'être distribués. Cette action peut causer un court délai lors de la distribution de glace concassée. Le bruit du broyeur de glaçons est normal et la dimension des morceaux de glace peut varier.
- Lorsqu'on passe du crushed mode (mode glace concassée) au cubed ice (mode glaçons), quelques onces de glace concassée sont distribuées avec les premiers glaçons.

Distribution d'Eau

IMPORTANT :

- Distribuer au moins 1 pte (1 L) d'eau chaque semaine pour maintenir un approvisionnement en eau fraîche.
- La diminution du débit en provenance du distributeur peut être causée par une faible pression en eau.
 - Avec le filtre à eau retiré, verser l'équivalent d'une (1) tasse d'eau (0,2 L). Si l'équivalent d'une tasse (0,2 L) d'eau est distribué en 8 secondes ou moins, cela signifie que la pression en eau alimentant le réfrigérateur répond au critère minimal.
 - S'il faut plus de 8 secondes à la machine pour distribuer l'équivalent d'une tasse (0,2 L) d'eau, cela signifie que la pression en eau alimentant le réfrigérateur est inférieure au niveau recommandé. Consulter la section « Spécifications de l'alimentation en eau » et « Dépannage » pour des suggestions sur la marche à suivre.

Distribution d'Eau – Normale :

1. Appuyer un verre résistant contre la plaque du distributeur d'eau.
2. Retirer le verre pour arrêter la distribution.

Distribution d'Eau – Remplissage Mesuré :

La fonction de Measured Fill (Remplissage Mesuré) permet de distribuer une quantité d'eau précise en appuyant simplement sur quelques boutons.

1. Placer un verre robuste sous le bec verseur. Appuyer sur MEASURED FILL (REPLISSAGE MESURÉ) pour activer.

REMARQUE : La quantité d'eau distribuée correspondra à la quantité sélectionnée. Vérifier que le récipient peut contenir la totalité du volume. Si de la glace se trouve dans le récipient, il faut peut-être modifier la sélection.

2. Appuyer sur DISPENSE (remplir) ou sur la plaque pour distribuer la quantité d'eau souhaitée.

REMARQUE : La plupart des tasses à café (généralement de 4 à 6 oz [118 à 177 ml] par tasse) ne sont pas de la même taille qu'une tasse à mesurer (8 oz [0,2 L]). Il peut être nécessaire de modifier le volume du Measured Fill (Remplissage Mesuré) pour éviter un remplissage excessif non intentionnel des tasses à café.

3. Distribuer de l'eau.

REMARQUE : Pendant la distribution d'eau, le débit d'eau s'arrête automatiquement une fois que le volume désiré a été distribué.

- Appuyer un verre robuste contre la plaque de distribution sous le bec verseur.

OU

- Placer le verre sous le bec verseur et appuyer sur le bouton DISPENSE WATER (DISTRIBUTION D'EAU) pour une distribution sans mains.

4. Pour mettre la distribution sur pause avant que le volume sélectionné ne soit distribué, appuyer sur le bouton de pause à l'écran.

REMARQUE : Si on arrête la distribution avant que la quantité d'eau désirée soit atteinte, l'affichage se ferme après 1 minute. Si la distribution ne reprend pas pendant ce laps de temps, elle se réinitialise à la quantité initiale.

Machine à Glaçons et Bac d'Entreposage

IMPORTANT : Afin d'éviter une faible production de glaçons ou des glaçons de mauvaise qualité, vidanger le circuit d'eau avant de mettre en marche la machine à glaçons. Consulter la section « Distributeur d'eau ».

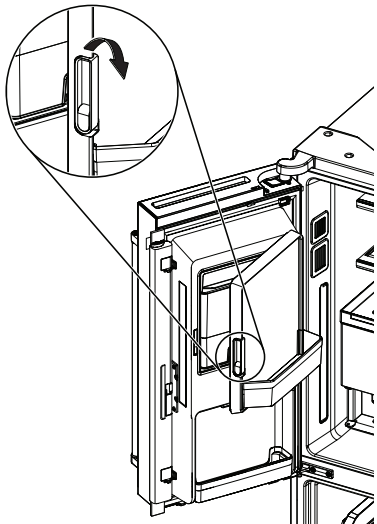
- Prévoir un délai de 24 heures après l'installation pour la production des premiers glaçons. Jeter les 3 premières quantités de glaçons produites. Accorder 2 à 3 jours au bac d'entreposage des glaçons pour qu'il se remplisse.
- La qualité des glaçons dépend de la qualité de l'eau fournie à la machine à glaçons. Éviter de connecter la machine à glaçons à une alimentation en eau adoucie. Les produits chimiques adoucisseurs d'eau (comme le sel) peuvent endommager certaines pièces de la machine à glaçons et entraîner une mauvaise qualité de glaçons. Si l'alimentation en eau adoucie ne peut être évitée, s'assurer que l'adoucisseur d'eau fonctionne bien et qu'il est bien entretenu.
- Si des glaçons sont agglomérés dans le bac d'entreposage, les briser à l'aide d'un ustensile en plastique et les jeter. Ne pas utiliser d'objet pointu pour briser les glaçons. Ceci peut endommager le bac d'entreposage et le mécanisme du distributeur.
- Ne rien conserver à l'intérieur du bac à glaçons.

Style 1 – Machine à Glaçons dans le Réfrigérateur

La machine à glaçons est située dans la porte de gauche, derrière les balconnets. Les glaçons sont éjectés dans le bac d'entreposage à glaçons situé sur la porte de gauche du réfrigérateur.

Retrait et Réinstallation du Bac d'Entreposage à Glaçons

Pour ouvrir le bac de la machine à glaçons, tirer le levier de porte de la machine à glaçons jusqu'à ce que la porte soit dégagée.



- Retirer le bac d'entreposage à glaçons en insérant les doigts dans le trou situé à la base du bac et en tirant le loquet pour libérer le bac du compartiment. Soulever le bac d'entreposage à glaçons en le soulevant et en le dégageant en ligne droite.
- Réinstaller le bac d'entreposage dans le compartiment à glaçons et appuyer dessus pour s'assurer qu'il est bien en place.

Taux de Production des Glaçons

- Dans des conditions d'utilisation normales, votre machine à glaçons devrait produire environ 3,5 lb (1,6 kg) de glaçons par jour.

Mise en Marche/Arrêt de la Machine à Glaçons

- Pour mettre en marche votre machine à glaçons, accéder à la section **Ice maker (Machine à Glaçons)** sous **Tools/Setup (Outils/Installation)**.
- Pour arrêter votre machine à glaçons, accéder à la section **Ice maker (Machine à Glaçons)** sous **Tools/Setup (Outils/Installation)**.

REMARQUE :

- La machine à glaçons comporte un système d'arrêt automatique. Le détecteur arrête automatiquement la production de glaçons si le bac d'entreposage est plein, si la porte est ouverte. La commande restera en position de marche.

TABLETTES, BALCONNETS ET TIROIRS

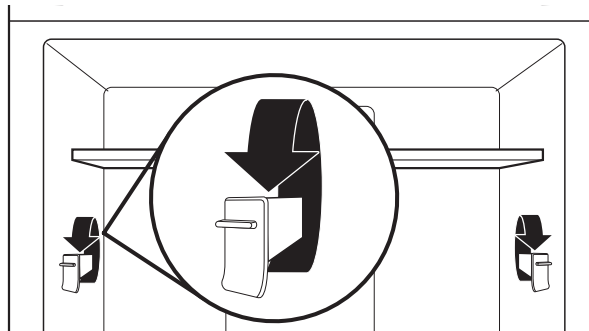
Les tablettes de réfrigérateur sont ajustables afin de s'adapter à vos besoins de rangement.

Afin de pouvoir trouver plus facilement l'article recherché, on peut remiser ensemble des aliments semblables dans le réfrigérateur et ajuster les tablettes pour les adapter aux différentes tailles d'articles. Ceci réduira également la durée d'ouverture de la porte du réfrigérateur et permettra d'économiser de l'énergie.

Ajuster la Hauteur de Tablettes

La hauteur de tablette peut être ajustée en repositionnant les supports ajustables de tablettes sur leurs axes vertical et horizontal.

1. Retirer doucement la tablette en la soulevant de ses supports, puis tourner la languette selon l'orientation souhaitée.
2. Répéter l'opération pour les supports de tablette restants.
3. Appliquer une pression sur le haut de la tablette pour vérifier qu'elle est correctement appuyée sur les supports de tablette.



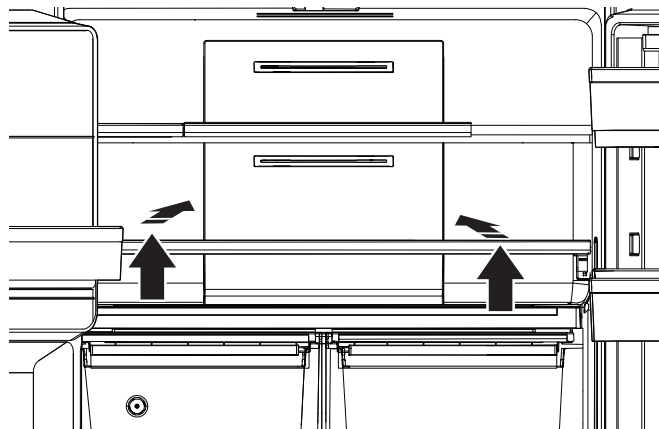
REMARQUE :

- La tablette du milieu doit être retirée avant celle du haut.
4. Ôter la tablette du bas en la soulevant pour la sortir des supports de tablette. Tirer ensuite sur la tablette en l'inclinant à la verticale vers le haut. Incliner la tablette à un angle et la retirer du réfrigérateur.
 5. Replacer la tablette du bas en la plaçant dans le réfrigérateur en utilisant un angle, l'avant de la tablette vers le haut. Incliner l'avant de la tablette jusqu'à ce que l'arrière de la tablette se place sur les supports de tablette. Abaisser l'avant de la tablette et s'assurer que la tablette est bien en position.

Tablette Divisée Coulissante

Certaines tablettes se rabattent pour créer de la place pour des articles plus grands.

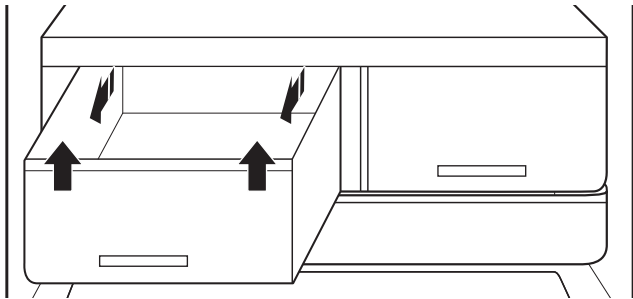
1. Pour rabattre la section avant de la tablette, pousser sur la section réglable de la tablette vers l'arrière du réfrigérateur, aussi loin qu'il est possible de le faire.
2. Déployer l'avant en verre et la garniture de la tablette en tirant sur la partie rétractée de la tablette jusqu'à ce qu'elle soit complètement déployée.



Bacs à Légumes

Retrait et Réinstallation des Tiroirs :

1. Saisir la poignée au bas du tiroir et soulever l'avant du tiroir jusqu'à passer la butée du tiroir et extraire le tiroir en le faisant glisser vers l'extérieur jusqu'à la butée. Retirer le tiroir des guides inférieurs.
2. Replacer le tiroir en le plaçant sur la glissière inférieure du tiroir et en le poussant au-delà de la butée d'arrêt du tiroir.

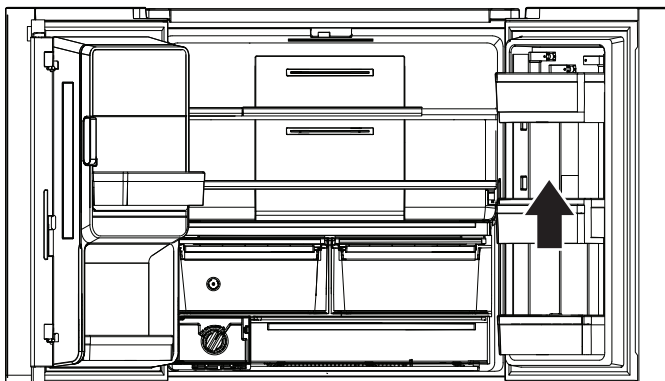


Balconnets de Porte du Réfrigérateur

Les balconnets dans les portes du réfrigérateur sont réglables afin de s'adapter à vos besoins de rangement. Les balconnets permettent de facilement personnaliser l'espace de rangement des portes pour y ranger des bouteilles de grande taille.

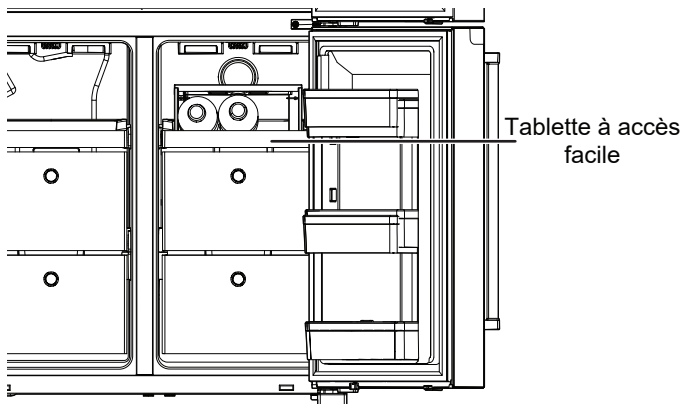
Séparateur de Balconnets de Porte (sur certains modèles)

Le séparateur peut être utilisé dans les balconnets de porte pour les diviser et soulever les articles plus petits rangés à l'arrière du balconnet.



Compartiments de rangement du congélateur

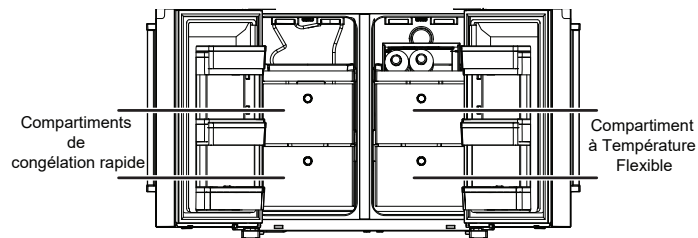
Tablette à accès facile



La tablette à accès facile est pratique pour facilement accéder aux produits les plus utilisés, congeler ou simplement ranger les restants et les petits articles.

Tiroirs du Congélateur

Les balconnets dans les portes du congélateur sont amovibles afin de s'adapter à vos besoins de rangement.



Pour obtenir une capacité de rangement maximum, il est possible d'enlever le tiroir du congélateur pour utiliser la tablette.

Pour retirer le tiroir supérieur :

1. Saisir la poignée du tiroir et le tirer jusqu'à la butée. Retirer le tiroir des guides inférieurs.
2. Replacer/remettre en place la butée de tiroir.

Compartiment de Fast Freeze (Congélation Rapide)

- Utiliser ces tiroirs pour congeler une grande quantité d'aliments frais ou cuisinés (de la meilleure façon ou de la façon la plus rapide).
- L'option de Fast Freeze (Congélation Rapide) permet de ranger en toute sécurité et transparence vos aliments surgelés.

REMARQUE : La température du congélateur peut atteindre celle du compartiment Flexible Freezer lorsqu'elle est placée à un réglage plus chaud que celui du compartiment Flexible Freezer.

Compartiment à Température Flexible

- Utiliser ces tiroirs pour congeler une grande quantité d'aliments frais ou cuisinés (de la meilleure façon ou de la façon la plus rapide).
- Utiliser le compartiment à température flexible pour ranger toutes sortes d'aliments dans un environnement de conservation idéal. En modifiant les réglages, il peut être utilisé pour conserver le vin (5 °C [41 °F]), le réfrigérateur standard (3 °C [37 °F]), la viande et le poisson (0 °C [32 °F]), la congélation douce (-7 °C [19 °F]) et le congélateur traditionnel (-26 °C [-15 °F]) et moins).

Porte-bouteilles

- Utiliser ces étagères pour conserver le vin au frais.
- Modifier la température pour conserver le vin dans un environnement idéal de conservation (5 °C [41 °F]).

ENTRETIEN DU RÉFRIGÉRATEUR

Nettoyage

⚠ AVERTISSEMENT



Risque d'explosion

Risque d'incendie ou d'explosion.
Le liquide réfrigérant utilisé est inflammable.
Ne pas utiliser d'appareils mécaniques pour dégivrer le réfrigérateur.
Ne pas perforer la tubulure de réfrigération.

Toutes les sections du réfrigérateur, du congélateur et de la zone convertible se dégivrent automatiquement. Toutefois, nettoyer tous les compartiments environ une fois par mois pour éviter une accumulation d'odeurs. Essuyer les renversements immédiatement.

Nettoyage des Surfaces Externes

Consulter les instructions de nettoyage extérieur relatives à votre modèle.

Acier Inoxydable Résistant aux Traces de Doigts

IMPORTANT :

- Ne pas exposer les électroménagers en acier inoxydable à des éléments caustiques ou corrosifs tels que le sel, un niveau élevé d'humidité ou des environnements très humides. Les dommages causés par l'exposition à de tels éléments ne sont pas couverts par la garantie.

| UTILISER | NE PAS UTILISER |
|---|---|
| <ul style="list-style-type: none">■ Chiffon doux et propre | <ul style="list-style-type: none">■ Chiffons abrasifs■ Essuie-tout ou papier journal■ Tampons de laine d'acier |
| <ul style="list-style-type: none">■ Eau tiède et savonneuse avec détergent doux | <ul style="list-style-type: none">■ Poudres ou liquides abrasifs■ Nettoyants à vitre en vaporisateur■ Ammoniaque■ Nettoyants acides ou à base de vinaigre■ Nettoyants à four■ Fluides inflammables |

REMARQUES :

- En cas de contact non intentionnel, nettoyer la pièce de plastique avec une éponge et un détergent doux dans de l'eau tiède. Sécher soigneusement avec un chiffon doux.
- Ne pas exposer les électroménagers en acier inoxydable à des éléments caustiques ou corrosifs tels que le sel, un niveau élevé d'humidité ou des environnements très humides. Les dommages causés par l'exposition à de tels éléments ne sont pas couverts par la garantie.

- Un nettoyant sous forme liquide ne signifie pas forcément qu'il n'est pas abrasif. Beaucoup de nettoyants liquides formulés pour nettoyer le carrelage et autres surfaces lisses en douceur peuvent tout de même endommager l'acier inoxydable.
- Lors du nettoyage de l'acier inoxydable, toujours frotter dans le sens du grain afin d'éviter d'érafler la surface.
- L'acide citrique décolore l'acier inoxydable de façon définitive. Afin d'éviter d'endommager le fini en acier inoxydable du réfrigérateur :

Ne pas laisser les produits suivants pendant une durée prolongée sur le revêtement :

- Moutarde
- Jus de tomates
- Sauce marinara
- Sauces à base d'agrumes
- Produits à base d'agrumes

Nettoyage de l'Intérieur

IMPORTANT : Les tablettes du réfrigérateur équipées d'éclairage DEL par en dessous ne sont pas lavables au lave-vaisselle.

1. Débrancher le réfrigérateur ou déconnecter la source de courant électrique.
2. Laver à la main, rincer et sécher les pièces amovibles et les surfaces internes soigneusement. Utiliser une éponge propre ou un linge doux et un détergent doux dans de l'eau tiède.

REMARQUE : Ne pas utiliser de nettoyants puissants ou abrasifs tels que les nettoyants à vitre en atomiseurs, nettoyants à récurer, liquides inflammables, cires nettoyantes, détergents concentrés, agents de blanchiment ou nettoyants contenant du pétrole sur les pièces en plastique, les garnitures intérieures et garnitures de portes ou sur les joints de portes.

3. Brancher le réfrigérateur ou reconnecter la source de courant électrique.

Condenseur

Ce réfrigérateur est muni de chaque côté de condenseurs par surface. Il est normal de sentir de la chaleur sur les côtés.

Nettoyage du Condensateur

⚠ AVERTISSEMENT



Risque d'explosion

Risque d'incendie ou d'explosion causé par la perforation de la tubulure de réfrigération.
Suivre avec attention des instructions de manipulation.
Le liquide réfrigérant utilisé est inflammable.

Le condensateur n'a pas besoin d'être nettoyé souvent dans des conditions de fonctionnement domestique normales. Si l'environnement est particulièrement gras, poussiéreux, ou s'il y a des animaux domestiques dans la maison, le condensateur devrait être nettoyé tous les 6 mois pour assurer une efficacité maximale.

1. Débrancher le réfrigérateur ou déconnecter la source de courant électrique.
2. Retirer la grille de la base.
3. Utiliser un aspirateur à brosse douce pour nettoyer la grille, les endroits ouverts derrière la grille et la surface à l'avant du condensateur.

4. Replacer la grille de la base après avoir terminé.
5. Brancher le réfrigérateur ou reconnecter la source de courant électrique.

REMARQUE : Communiquer avec le service s'il est impossible de nettoyer le condensateur.

Lampes

Les lampes du compartiment pour aliments frais et du congélateur sont à DEL. Si la lampe ne s'allume pas à l'ouverture de la porte, contacter le marchand chez qui le réfrigérateur a été acheté.

Précautions à Prendre pour les Vacances ou le Déménagement

Vacances

Si le réfrigérateur est laissé en marche pendant une absence :

1. Consommer toutes les denrées périssables et congeler les autres articles.
2. Si le réfrigérateur comporte une machine à glaçons automatique et qu'il est raccordé à la source d'approvisionnement en eau du domicile, fermer la source d'approvisionnement en eau du réfrigérateur. Des dommages matériels peuvent subvenir si l'alimentation en eau n'est pas coupée.
3. Si votre machine à glaçons est automatique, éteindre la machine à glaçons.
 - Mettre le commutateur de la machine à glaçons de la porte sur arrêt (O).
4. Vider le bac à glaçons.

Si l'utilisateur choisit d'arrêter le réfrigérateur avant son absence :

REMARQUE : Placer le réfrigérateur en Demo Mode (Mode de Démonstration) lors d'une absence. Voir la section « Utilisation des Commandes ».

1. Enlever tous les aliments du réfrigérateur.
2. Si le réfrigérateur est équipé d'une machine à glaçons automatique :
 - Fermer l'approvisionnement en eau de la machine à glaçons au moins un jour à l'avance.
 - Lorsque les derniers glaçons tombent, appuyer sur le commutateur de Fermeture (O) pour éteindre l'affichage du haut, à l'intérieur du réfrigérateur, selon le modèle.
3. Vider le bac à glaçons.
4. Éteindre les commandes de température. Voir la section « Utilisation des Commandes ».
5. Nettoyer le réfrigérateur, l'essuyer et bien le sécher.
6. À l'aide d'un ruban adhésif, placer des blocs de caoutchouc ou de bois dans la partie supérieure de chaque porte de façon à ce qu'elles soient suffisamment ouvertes pour permettre à l'air d'entrer et d'éviter l'accumulation d'odeur ou de moisissure.

Déménagement

En cas de déménagement et de déplacement du réfrigérateur dans une nouvelle habitation, suivre ces étapes pour préparer le déménagement.

1. Si le réfrigérateur est équipé d'une machine à glaçons automatique :
 - Fermer l'approvisionnement en eau de la machine à glaçons au moins un jour à l'avance.
 - Débrancher la canalisation d'eau de l'arrière du réfrigérateur.
 - Lorsque la dernière quantité de glaçons est déposée, soulever le bras de commande d'arrêt métallique à la position Off (arrêt/position haute) ou placer le commutateur sur Off (arrêt), selon le modèle.
2. Retirer tous les aliments du réfrigérateur et placer tous les aliments congelés dans de la neige carbonique.
3. Vider le bac à glaçons.
4. Débrancher le réfrigérateur
5. Bien nettoyer, essuyer et sécher.
6. Retirer toutes les pièces amovibles, bien les envelopper et les attacher ensemble avec du ruban adhésif pour qu'elles ne bougent et ne s'entrechoquent pas durant le déménagement.
7. Selon le modèle, soulever l'avant du réfrigérateur pour qu'il roule plus facilement ou soulever les pieds de nivellement pour qu'ils n'égratignent pas le plancher. Consulter la section « Ajustement des Portes » ou « Fermeture et Alignement des Portes ».
8. Fermer les portes à l'aide de ruban adhésif et fixer le cordon d'alimentation à la partie arrière du réfrigérateur.

Lors de l'arrivée au nouveau domicile, remettre tout en place et consulter la section « Instructions d'Installation » pour les instructions de préparation. Aussi, si le réfrigérateur comporte une machine à glaçons automatique, ne pas oublier de rebrancher l'approvisionnement en eau au réfrigérateur.

FICHE DE DONNÉES DE PERFORMANCE

Système de filtration de l'eau

Modèles P9WB2L/ P9RFBW2L et EDR2RXD1 Capacité 200 gallons (757 litres)



Système testé et homologué par NSF International en vertu des normes NSF/ANSI 42, 53 et 401, ainsi que CSA B483.1 pour la réduction de contaminants spécifiés sur la fiche de données de performance.

Ce système a été testé selon les normes NSF/ANSI 42, 53, 401 et CSA B483.1 pour la réduction des substances énumérées ci-dessous. La concentration des substances indiquées dans l'eau entrant dans le système a été réduite à une concentration inférieure ou égale à la limite permise pour l'eau qui quitte le système, comme spécifié par les normes ANSI/NSF 42, 53 et 401, ainsi que CSA B483.1. Ce système a été testé conformément au décret ministériel no 174, à l'article 9 du décret législatif no 31 de 2001, au règlement (CE) no 1935/2004, à la norme WRAS BS6920 et à la circulaire ACS 2002/571.

| Réduction concentration produits de désinfection | Concentration dans l'Eau à Traiter | Limite permise de concentration du produit dans l'eau | Réduction de concentration % moy. |
|--|---|---|--------------------------------------|
| Goût/odeur de chlore Classe I* | 2,0 mg/L ± 10 % 10 000 particules/mL | 50 % de réduction | 85 % de réduction > 97,4 % 99,3 % |

| Réduction des contaminants | Concentration dans l'eau à traiter | Limite permise de concentration du produit dans l'eau | Réduction de concentration % moy. |
|----------------------------|--|---|-----------------------------------|
| Plomb : à pH 6,5/à pH 8,5 | 0,150 mg/L ± 10 % | 0,010 mg/L | > 99,3 %/98,6 % |
| Benzène | 0,015 mg/L ± 10 % | 0,005 mg/L | 96,0 % |
| P-dichlorobenzène | 0,225 mg/L ± 10 % | 0,075 mg/L | > 99,8 % |
| Carbofurane | 0,080 mg/L ± 10 % | 0,040 mg/L | 91,9 % |
| Toxaphène | 0,015 mg/L ± 10 % | 0,003 mg/L | 93,3 % |
| Atrazine | 0,009 mg/L ± 10 % | 0,003 mg/L | 92,4 % |
| Amiante | 10 ⁷ à 10 ⁸ fibres/L†† | > 99 % | > 99 % |
| Amiante | 50 000/L minimum | 99,95 % | > 99,99 % |
| Kystes opérationnels † | 11 NTU ± 10 % | 0,5 NTU | 99,0 % |
| Lindane | 0,002 mg/L ± 10 % | 0,0002 mg/L | > 98,9 % |
| Tétrachloroéthène | 0,015 mg/L ± 10 % | 0,005 mg/L | > 96,6 % |
| O-dichlorobenzène | 1,8 mg/L ± 10 % | 0,6 mg/L | > 99,9 % |
| Éthylbenzène | 2,1 mg/L ± 10 % | 0,7 mg/L | 99,4 % |
| 1,2,4 – Trichlorobenzène | 0,210 mg/L ± 10 % | 0,07 mg/L | > 99,8 % |
| 2,4 – D | 0,210 mg/L ± 10 % | 0,07 mg/L | 93,8 % |
| Styrène | 2,0 mg/L ± 10 % | 0,1 mg/L | 99,8 % |
| Toluène | 3,0 mg/L ± 10 % | 1,0 mg/L | 87,9 % |
| Endrin | 0,006 mg/L ± 10 % | 0,002 mg/L | > 96,6 % |
| Aténolol | 200 ± 20 % | 30 ng/L | > 95,9 % |
| Triméthoprim | 140 ± 20 % | 20 ng/L | > 96,9 % |
| Linuron | 140 ± 20 % | 20 ng/L | > 96,4 % |
| Estrone | 140 ± 20 % | 20 ng/L | > 97,0 % |

| Réduction des contaminants | Concentration dans l'eau à traiter | Limite permise de concentration du produit dans l'eau | Réduction de concentration % moy. |
|----------------------------|------------------------------------|---|-----------------------------------|
| Nonylphénol | 1400 ± 20 % | 200 ng/L | > 97,4 % |
| Carbamazépine | 1400 ± 20 % | 200 ng/L | > 97,9 % |
| Phénytoïne | 200 ± 20 % | 30 ng/L | 93,8 % |
| Naproxène | 140 ± 20 % | 20 ng/L | 96,1 % |
| Bisphénol A | 2000 ± 20 % | 300 ng/L | > 99,2 % |

Paramètres de tests : pH = 7,5 ± 0,5 à moins d'indications contraires. Débit = 0,6 gpm (2,27 Lpm). Pression = 60 lb/po² (413,7 kPa). Température = 68 °F à 71,6 °F (20 °C à 22 °C). Capacité de service nominale = 200 gallons (757 litres).

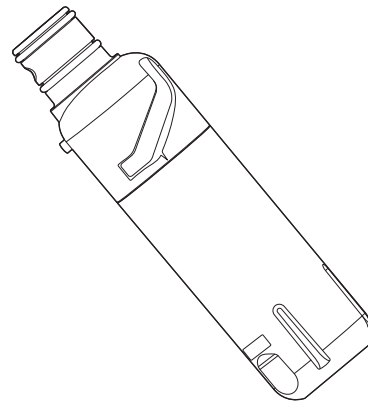
Les composés certifiés en vertu de la norme NSF 401 sont considérés comme appartenant à la catégorie des « composés émergents/contaminants secondaire ». Les composés émergents/contaminants secondaires ont été détectés à de faibles concentrations dans des sources d'approvisionnement en eau potable. Même s'ils n'apparaissent qu'à de faibles concentrations, ces composés peuvent influencer la perception et le niveau d'acceptation de la qualité de l'eau de consommation par le public.

- Il est essentiel que les exigences de fonctionnement, d'entretien et de remplacement de filtre soient respectées pour que ce produit donne le rendement annoncé. Des dommages à la propriété peuvent se produire lorsque les instructions ne sont pas toutes respectées.
- La cartouche jetable doit être changée au moins tous les 6 mois.
- Utiliser le filtre de remplacement, numéro de pièce EDR4RXD1/EDR4RXD1B. Prix suggéré au détail en 2015 de 49,99 \$ US/49,99 \$ CAN. Les prix sont indiqués sous réserve de modification.
- Le système de contrôle du filtre mesure la quantité d'eau qui passe par le filtre et indique quand remplacer le filtre. Consulter les sections « Utilisation des commandes » ou « Système de filtration de l'eau » (dans les instructions d'utilisation ou le guide d'utilisation) pour savoir comment vérifier l'état du filtre à eau.
- Après avoir remplacé le filtre à eau, purger le système d'eau. Voir les sections « Distributeur d'Eau et de Glaçons » ou « Distributeur d'Eau » dans les Instructions d'Utilisation ou le Guide d'Utilisation.
- Ces contaminants ne sont pas nécessairement présents dans l'approvisionnement d'eau. Même si le test a été effectué dans des conditions de laboratoires standard, le rendement réel peut varier.
- Le produit doit être utilisé pour l'eau froide seulement.
- Le circuit d'eau doit être installé conformément aux lois et règlements locaux et à ceux de la province concernée.
- Ne pas utiliser ce produit pour filtrer une eau microbiologiquement polluée ou de qualité inconnue en l'absence d'un dispositif de désinfection adéquat en amont ou en aval du système. Les systèmes certifiés pour la réduction des kystes peuvent être utilisés pour une eau désinfectée susceptible de contenir des kystes filtrables. Étab. EPA no 082047-TWN-001
- Consulter la section « Garantie » (dans les instructions d'utilisation ou le guide d'utilisation) pour connaître la garantie limitée, le nom et le numéro de téléphone du fabricant.
- Le réfrigérateur, lorsqu'il distribue de l'eau, fait office d'équipement de traitement de l'eau potable.
- Cet équipement nécessite un entretien périodique régulier afin de garantir les exigences de traitement de l'eau potable et l'entretien des améliorations tous les 6 mois.

Directives d'application/paramètres d'approvisionnement en eau

| | |
|----------------------|--|
| Source d'eau | Puits ou collectivité |
| Pression d'eau | 30 à 120 lb/po ² (207 à 827 kPa) |
| Température de l'eau | 33 °F à 100 °F (0,6 °C à 37,8 °C) |
| Débit nominal | 0,6 gal/ GPM (2,27 L/m) à 60 lb/po ² (413,7 kPa) |

- Le système de filtration d'eau peut prendre en charge une pression d'eau pouvant atteindre 120 livres par pouce carré (lb/po²). Si l'alimentation en eau est supérieure à 80 lb/po², installer un détendeur avant d'installer le système de filtration d'eau.



*Classe I – taille des particules : >0,5 à 1 µm

†Sur la base de la filtration de kystes de *Cryptosporidium parvum*

†† Filtres de longueur supérieure à 10 µm

©NSF est une marque déposée de NSF International.

Seguridad del Refrigerador

Su seguridad y la de los demás son muy importantes.

Hemos incluido muchos mensajes importantes de seguridad en este manual y en su electrodoméstico. Lea y obedezca siempre todos los mensajes de seguridad.



Este es el símbolo de advertencia de seguridad.

Este símbolo le llama la atención sobre peligros potenciales que pueden ocasionar la muerte o una lesión a usted y a los demás.

Todos los mensajes de seguridad irán a continuación del símbolo de advertencia de seguridad y de la palabra "PELIGRO" o "ADVERTENCIA". Estas palabras significan:

▲ PELIGRO

Usted puede morir o sufrir una lesión grave si no sigue de inmediato las instrucciones.

▲ ADVERTENCIA

Si no sigue las instrucciones, puede morir o sufrir una lesión grave.

Todos los mensajes de seguridad le dirán cuál es el peligro potencial, cómo reducir las posibilidades de sufrir una lesión y lo que puede suceder si no se siguen las instrucciones.

INSTRUCCIONES IMPORTANTES DE SEGURIDAD

ADVERTENCIA: Para reducir el riesgo de incendio, descarga eléctrica o lesiones al usar el electrodoméstico, siga las siguientes precauciones básicas:

- Los niños deben estar bajo supervisión para garantizar que no jueguen con el electrodoméstico.
- Este electrodoméstico no se diseñó para ser usado por personas (incluidos niños) con capacidad física, sensorial o mental reducida, o con falta de experiencia y conocimiento, a menos que una persona responsable de su seguridad les brinde supervisión o instrucciones relativas al uso del electrodoméstico.
- No utilice un cable de extensión.
- Si el cable de suministro eléctrico está dañado, el fabricante, su servicio técnico o personas calificadas idóneas deben reemplazarlo para evitar cualquier riesgo.
- Conecte solamente al suministro de agua potable.
- Este electrodoméstico está diseñado para uso doméstico y aplicaciones similares, como áreas de cocina para el personal en tiendas, oficinas y otros entornos de trabajo; granjas; por parte de clientes en hoteles, moteles y otros entornos residenciales; posadas, servicios de comida y aplicaciones similares que no sean de venta al por menor.
- No guarde en este electrodoméstico sustancias explosivas, como latas en aerosol con propelente inflamable.
- No use piezas de repuesto que no hayan sido recomendadas por el fabricante (por ejemplo, piezas hechas en casa con una impresora 3D).
- Mantener libres de obstrucción las aperturas de ventilación en el envoltorio del aparato o de la estructura para empotrar.
- No utilizar dispositivos mecánicos u otros medios para acelerar el proceso de deshielo, diferentes a los que recomienda el fabricante.
- No dañar el circuito de refrigeración.
- No utilizar aparatos eléctricos dentro de los compartimientos de almacenamiento de alimento del aparato, a menos que sean del tipo que recomienda el fabricante.
- Se puede agregar el juego de fábrica de hielo en algunos modelos. Consulte la etiqueta del número de serie en el interior del compartimento de alimentos para obtener información sobre el modelo del juego de fábrica de hielo.
- La línea de agua y la fábrica de hielo deben ser instaladas por un técnico de servicio calificado. Consulte las instrucciones de instalación proporcionadas con el juego de fábrica de hielo para ver los detalles completos.

GUARDE ESTAS INSTRUCCIONES

INSTRUCCIONES DE SEGURIDAD

IMPORTANTE DE LEER Y SEGUIR

Antes de usar el electrodoméstico, lea estas instrucciones de seguridad. Guárdelas para referencia futura. Estas instrucciones y el electrodoméstico mismo proporcionan advertencias importantes de seguridad que se deben respetar en todo momento. El fabricante rechaza cualquier responsabilidad por el incumplimiento de estas instrucciones de seguridad, el uso inadecuado del electrodoméstico o el ajuste incorrecto de los controles.

⚠ Los niños muy pequeños (0 a 3 años de edad) deben mantenerse alejados del electrodoméstico. Los niños pequeños (3 a 8 años de edad) deben mantenerse alejados del electrodoméstico, a menos que estén bajo supervisión constante. Los niños de 8 años o más, y las personas con discapacidades físicas, sensoriales o mentales, o falta de experiencia y conocimiento pueden usar este electrodoméstico solo si se encuentran bajo supervisión o han recibido instrucciones acerca de cómo usarlo de forma segura, y comprenden los riesgos involucrados. Los niños no deben jugar con el electrodoméstico. Los niños no deben realizar la limpieza ni el mantenimiento del usuario sin supervisión.

Los niños de 3 a 8 años de edad pueden cargar y descargar los electrodomésticos de refrigeración.

USO PERMITIDO

⚠ PRECAUCIÓN: el electrodoméstico no se debe operar por medio de un interruptor externo, como un temporizador o un sistema aparte controlado de forma remota.

⚠ Estos electrodomésticos han sido diseñados para usarse en un entorno doméstico y aplicaciones similares, como por ejemplo:

- Áreas de cocina para el personal en tiendas, oficinas y otros ambientes laborales.
- Alquilerías y por huéspedes de hoteles, moteles y otros ambientes de tipo residencial.
- Ambientes similares a pensiones u hoteles que dan desayuno.
- Servicios de comida y aplicaciones similares que no sean de venta al por menor.

⚠ Este electrodoméstico no es para uso profesional. No use este electrodoméstico en exteriores, en un garaje ni en un sótano.

⚠ Este electrodoméstico ha sido diseñado para funcionar en lugares en los que la temperatura ambiental se mantiene dentro de los rangos a continuación, según la clase climática que se muestra en la placa de clasificación. Es posible que el electrodoméstico no funcione como es debido si se deja durante un tiempo prolongado a una temperatura que esté fuera del rango especificado.

Temp. amb. de clase climática (°C)

SN: De 10 a 32 °C; N: De 16 a 32 °C

ST: De 16 a 38 °C; T: De 16 a 43 °C

⚠ Este electrodoméstico no contiene CFC. El circuito refrigerante contiene R600a (HC). Electrodomésticos con isobutano (R600a): es un gas natural que no produce impactos en el medioambiente, pero es inflamable. Por lo tanto, asegúrese de que las tuberías del circuito refrigerante no estén dañadas, especialmente cuando vacíe el circuito refrigerante.

⚠ ADVERTENCIA: no dañe las tuberías del circuito de refrigerante del electrodoméstico.

⚠ ADVERTENCIA: mantenga las aperturas de ventilación, en el gabinete del electrodoméstico o en la estructura integrada, libre de obstrucciones.

⚠ ADVERTENCIA: no utilice medios mecánicos, eléctricos o químicos diferentes de los recomendados por el fabricante para acelerar el proceso de descongelación.

⚠ ADVERTENCIA: no use ni coloque dispositivos eléctricos dentro de los compartimientos del electrodoméstico si no son del tipo expresamente autorizados por el fabricante.

⚠ ADVERTENCIA: las fábricas de hielo y/o los despachadores de agua que no estén conectados directamente al suministro de agua deberán ser llenados solamente con agua potable.

⚠ ADVERTENCIA: las fábricas de hielo automáticas y los despachadores de agua se deben conectar a un suministro de agua que provea solamente agua potable, con una presión de agua del suministro principal de entre 20 psi y 145 psi (1,4 y 10 bar).

⚠ No guarde en este electrodoméstico sustancias explosivas, como latas en aerosol con propelente inflamable.

⚠ No se trague el contenido (no tóxico) de los paquetes de hielo (provisto en algunos modelos). No coma los cubos de hielo o las paletas heladas inmediatamente después de sacarlos del congelador, ya que pueden ocasionar quemaduras por frío.

⚠ Para los productos diseñados para que usen un filtro de aire dentro de una cubierta de ventilador accesible, el filtro debe estar siempre en posición cuando el refrigerador esté funcionando.

⚠ No guarde recipientes de vidrio con líquidos en el compartimiento del congelador, ya que pueden romperse. No obstruya el ventilador (si está incluido) con alimentos. Después de guardar los alimentos, verifique que la puerta de los compartimientos se cierre adecuadamente, especialmente la puerta del congelador.

⚠ Las juntas dañadas se deben reemplazar lo antes posible.

⚠ Use el compartimiento del refrigerador solamente para almacenar alimentos frescos y el del congelador solamente para almacenar alimentos congelados, para congelar alimentos frescos y para hacer cubos de hielo.

⚠ Evite guardar alimentos sin envolver en contacto directo con las superficies internas de los alimentos frescos o de los compartimientos del congelador. Los electrodomésticos pueden tener compartimientos especiales (compartimiento para alimentos frescos, caja de cero grados, etc.). A menos que se especifique en el folleto del producto, estos se pueden quitar, con lo que se mantienen rendimientos equivalentes.



Advertencia: riesgo de incendio/ materiales inflamables. Los compartimientos más apropiados del electrodoméstico donde se deben almacenar tipos específicos de alimentos, teniendo en cuenta la diferente distribución de la temperatura en compartimientos diferentes, son los siguientes:

- Compartimiento de refrigerador: almacene frutas tropicales, latas, bebidas, huevos, salsas, pickles, manteca, mermelada, queso, leche, productos lácteos, yogur. También puede almacenar carnes frías, postres, carne y pescado, pastel de queso, pastas frescas, crema ácida, budín y queso crema. Cajón para frutas y vegetales en la parte inferior del compartimiento del refrigerador: almacene vegetales y frutas (excluyendo las frutas tropicales). Compartimiento enfriador: solo almacene carne y pescado en el cajón más frío

- Compartimiento de congelador:

es apto para congelar alimentos de temperatura ambiente y para almacenar alimentos congelados ya que la temperatura se distribuye de manera uniforme en todo el compartimiento. Los alimentos comprados congelados tienen la fecha de vencimiento de almacenamiento en el envase. Esta fecha considera el tipo de alimento que se almacena y, por ende, se debe respetar. Los alimentos frescos se deben almacenar durante los siguientes períodos: 1 a 3 meses para queso, mariscos, helado, jamón/salchicha, leche, líquidos frescos; 4 meses para filetes o chuletas (res, cordero, cerdo); 6 meses para manteca o margarina, ave (pollo, pavo); 8 a 12 meses para frutas (excepto cítricos), carne asada (res, cerdo, cordero), vegetales. Las fechas de vencimiento de los envases de alimentos se deben respetar. Para evitar la contaminación entre alimentos, tenga en cuenta lo siguiente:

- Dejar la puerta abierta durante períodos largos puede generar un aumento significativo de la temperatura en los compartimientos del electrodoméstico.

- Limpie periódicamente las superficies que pueden entrar en contacto con los alimentos y los sistemas de drenaje accesibles.

- Limpie los tanques de agua si no se han usado durante 48 horas; desagote el sistema de agua conectado a un suministro de agua si no se ha retirado agua durante 5 días.

- Almacene el pescado y la carne crudos en recipientes adecuados en el refrigerador, de modo que no entre en contacto con los demás alimentos ni gotee sobre estos.

El almacenamiento en Convertible Space (Compartimiento convertible) debe ser como se detalla a continuación:

+10 °C: almacene vino blanco

+4 °C: almacene vegetales y frutas (excepto las frutas tropicales)

0 °C: solo almacene carne y pescado

Todos los puntos configurados debajo de cero: almacene alimentos congelados como para la cavidad del congelador

- Los compartimientos para alimentos congelados de dos estrellas son aptos para almacenar alimentos previamente congelados, almacenar o hacer helado y cubos de hielo.

- No congele alimentos frescos en los compartimientos de una, dos o tres estrellas.

- Si el electrodoméstico de refrigeración permanece vacío durante períodos extensos, apáguelo, descongélelo, límpielo, séquelo y deje la puerta abierta para evitar que se desarrolle moho dentro del electrodoméstico.

INSTALACIÓN

⚠ Dos personas deben manipular e instalar el electrodoméstico: riesgo de lesiones. Use guantes protectores para desempacar e instalar: riesgo de cortes.

⚠ Un técnico calificado debe realizar la instalación, que incluye el suministro de agua (si corresponde) y las conexiones eléctricas, y las reparaciones. No repare ni reemplace ninguna pieza del electrodoméstico a menos que se mencione específicamente en el manual. Mantenga a los niños alejados del lugar de instalación.

Después de desempacar el electrodoméstico, asegúrese de que no haya sido dañado durante el traslado. En caso de problemas, contacte al distribuidor o su servicio de atención posventa más cercano. Cuando esté instalado, los desechos del empaquetado (plástico, piezas de poliestireno extruido, etc.) deben almacenarse fuera del alcance de los niños: riesgo de asfixia. El electrodoméstico debe desconectarse del suministro eléctrico antes de cualquier operación de instalación: riesgo de choque eléctrico. Durante la instalación, asegúrese de que el electrodoméstico no dañe el cable de alimentación: riesgo de incendio o choque eléctrico. Solo active el electrodoméstico cuando se haya completado la instalación.

⚠ Tenga cuidado de no dañar los suelos (p. ej., parqué) al mover el electrodoméstico. Instale el electrodoméstico sobre un piso o soporte que sea lo suficientemente fuerte como para mantener el peso y en un lugar adecuado para el tamaño y el uso. Cerciórese de que el electrodoméstico no esté cerca de una fuente de calor y que las cuatro patas estén estables, descansando en el suelo; ajústelas según sea necesario y verifique que el electrodoméstico esté nivelado perfectamente con un nivel de burbuja. Espere por lo menos dos horas antes de encender el electrodoméstico, para cerciorarse de que el circuito del refrigerante sea completamente eficaz.

⚠ **ADVERTENCIA:** cuando ubique el electrodoméstico, cerciúrese de que el cable no quede atrapado o esté dañado.

⚠ **ADVERTENCIA:** para evitar riesgos debido a inestabilidad, la ubicación o el ajuste del electrodoméstico debe realizarse de acuerdo con las instrucciones del fabricante. Está prohibido ubicar el refrigerador de manera que la manguera de metal de la estufa de gas, las tuberías metálicas de gas o agua, o los cables eléctricos estén en contacto con la pared trasera del refrigerador (serpentín del condensador).

⚠ Para asegurar una ventilación adecuada, deje un espacio a ambos lados y por encima del electrodoméstico. La distancia entre la parte trasera del electrodoméstico y el muro detrás del electrodoméstico debe ser de 50 mm para evitar el acceso a las superficies calientes. Una reducción de este espacio aumentará el consumo de energía del producto.

⚠ Si es necesario reemplazar las puertas, comuníquese con el Centro de asistencia técnica.

⚠ En el punto de conexión entre el suministro de agua y el accesorio o el electrodoméstico se debe colocar una válvula de retención única “aprobada” o algún otro dispositivo de prevención de contraflujo no menos efectivo que brinde protección contra el contraflujo hasta, al menos, categoría dos de fluidos.

ADVERTENCIAS ELÉCTRICAS

⚠ Debe ser posible desconectar el electrodoméstico del suministro de energía desenchufándolo, si el enchufe está accesible, o un interruptor multipolar instalado delante del enchufe, de acuerdo con las normas de cableado, y el electrodoméstico se debe conectar a tierra de acuerdo con los estándares de seguridad eléctrica nacionales.

⚠ No use cables de extensión, enchufes múltiples o adaptadores. El usuario no debe tener acceso a los componentes eléctricos después de la instalación. No use el electrodoméstico cuando esté descalzo o húmedo. No encienda el electrodoméstico si el cable o enchufe se encuentran dañados, no están funcionando adecuadamente, han sufrido daños o caídas.

⚠ Si se ha dañado el cable de suministro de energía, deberá ser reemplazado por uno idéntico por el fabricante, el agente de servicio o una persona similarmente calificada con el fin de evitar riesgos de choque eléctrico.

⚠ **ADVERTENCIA:** no ubique varios enchufes portátiles o suministros eléctricos portátiles en la parte trasera del electrodoméstico.

LIMPIEZA Y MANTENIMIENTO

⚠ **ADVERTENCIA:** garantice que el electrodoméstico esté apagado y desconectado del suministro eléctrico antes de realizar operaciones de mantenimiento; no use nunca equipo de limpieza a vapor: riesgo de choque eléctrico.

⚠ No use productos de limpieza abrasivos o ásperos, como aerosoles para ventanas, productos de limpieza para pulir, líquidos inflamables, ceras para limpieza, detergentes concentrados, blanqueadores o productos de limpieza que contengan productos derivados de petróleo en las partes de plástico, revestimientos interiores o de la puerta o juntas. No use toallas de papel, estropajos para fregar ni otros utensilios de limpieza ásperos.


DESCARTE DE LOS MATERIALES DE EMPAQUE

El material del empaquetado es reciclable y está marcado con el símbolo de reciclaje ♻.

Por lo tanto, las diferentes partes del empaquetado se deben desechar con responsabilidad y de acuerdo con las normas locales de la autoridad que rija la eliminación de residuos.

DESECHO DE ELECTRODOMÉSTICOS

Este electrodoméstico está fabricado con materiales reciclables y reutilizables. Deshágase de él siguiendo los reglamentos locales de eliminación de residuos. Para obtener información adicional acerca del tratamiento, de la recuperación y del reciclaje de los electrodomésticos, póngase en contacto con la autoridad local, el servicio de recolección de desechos domésticos o la tienda donde compró el aparato. Este electrodoméstico cumple con la directiva europea 2012/19/EC, RAEE (Residuos de aparatos eléctricos y electrónicos). Al cerciorarse de que este producto se deseché correctamente, ayuda a prevenir consecuencias negativas para el entorno y la salud humana.

El símbolo  en el producto o en los documentos que lo acompañan, indica que no deberá tratarse como desecho doméstico, sino llevarse a un centro especial de recolección para que se recicle el equipo eléctrico y electrónico.

CONSEJOS DE AHORRO DE ENERGÍA

Instale el electrodoméstico en una habitación seca, bien ventilada, alejada de cualquier fuente de calor (por ej., un radiador, horno, etc.) y en un lugar que no esté expuesto directamente al sol. Si es necesario, use una placa de aislación.

Para garantizar la ventilación adecuada, siga las instrucciones de instalación. La ventilación insuficiente en la parte trasera del producto aumenta el consumo de energía y disminuye la eficacia de refrigeración. Abrir la puerta frecuentemente puede causar un aumento en el consumo energético. La temperatura interna del electrodoméstico y el consumo energético se pueden ver afectados también por la temperatura ambiental, además de la ubicación del aparato. Para realizar los ajustes de temperatura se deben tomar en consideración estos factores.

Abra las puertas lo menos posible.

Cuando descongele alimentos congelados, póngalos en el refrigerador. La baja temperatura de los productos congelados enfría los alimentos del refrigerador. Permita que los alimentos y bebidas se enfríen antes de ponerlos en el electrodoméstico.

El posicionamiento de los estantes en el refrigerador no impacta el uso eficiente de energía. Los alimentos se deben poner en los estantes de forma que se garantice la circulación adecuada del aire (los alimentos no se deben tocar entre sí y se debe mantener la distancia entre los alimentos y la pared trasera).

Puede aumentar la capacidad de almacenamiento de alimentos congelados si retira las cestas y, si hay, el estante Stop Frost.

No se preocupe acerca de los ruidos que salen del compresor que se describen como sonidos normales en la Guía rápida de este producto.

Cómo Deshacerse Adecuadamente de su Refrigerador Anterior

ADVERTENCIA: Existe el riesgo de que los niños puedan quedar atrapados. Antes de tirar su viejo refrigerador o congelador:

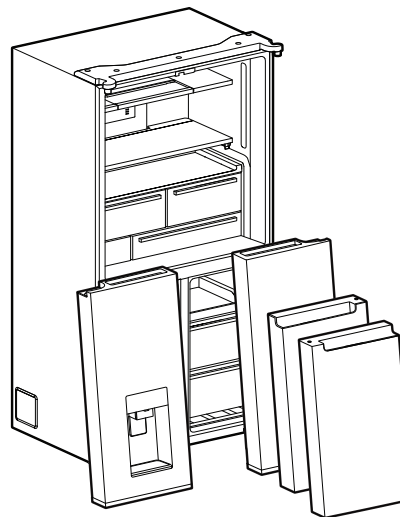
- Retire las puertas.
- Deje los estantes en su lugar para que los niños no puedan introducirse con facilidad.

⚠ ADVERTENCIA

Peligro de asfixia

Quite las puertas o la tapa de su electrodoméstico viejo.

No seguir esta instrucción puede ocasionar la muerte o daño al cerebro.

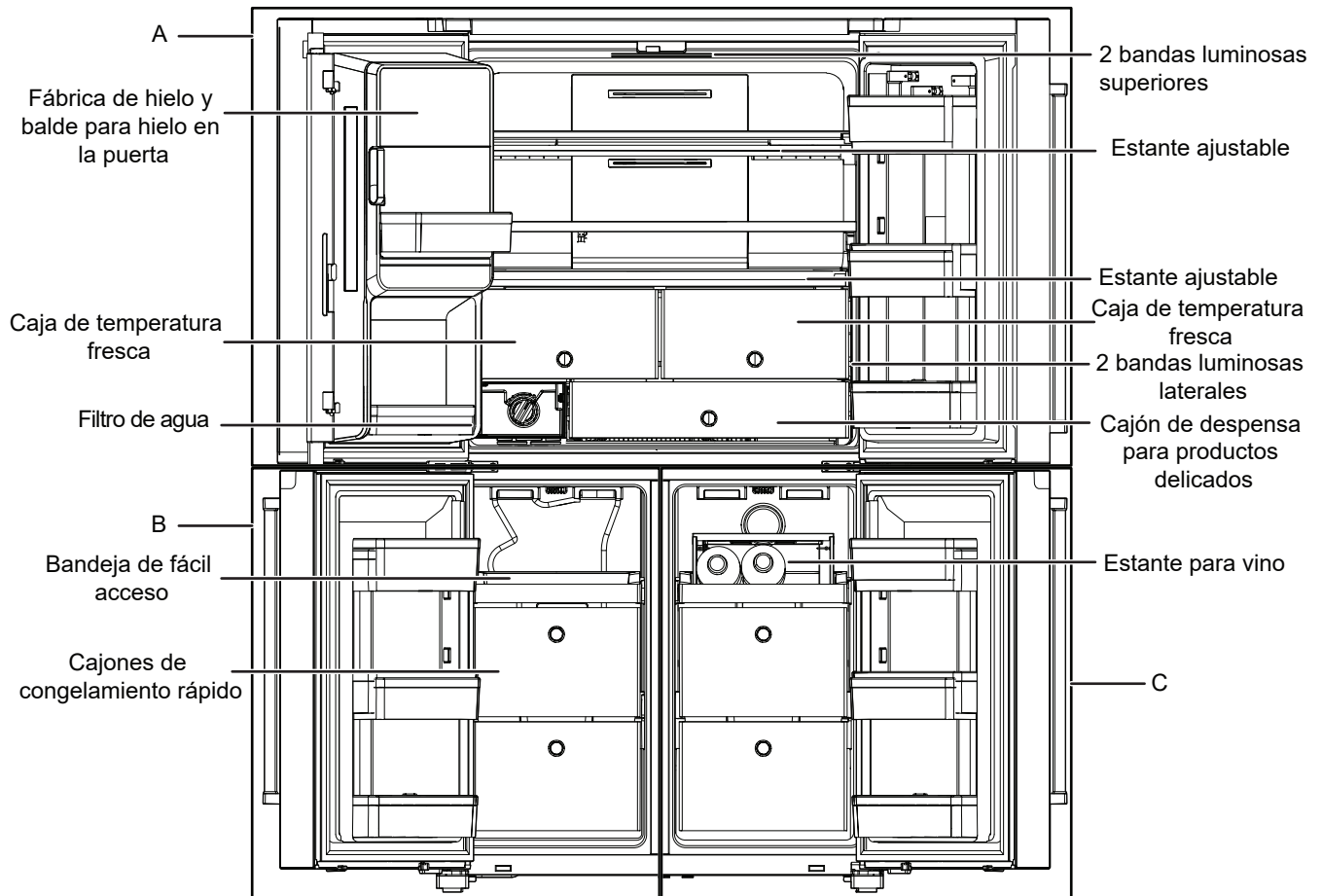


IMPORTANTE: Los niños que quedan atrapados y la asfixia no son problemas del pasado. Los congeladores o los refrigeradores tirados y abandonados son un peligro, incluso si van a quedar ahí "por unos pocos días". Si está por deshacerse de su refrigerador o congelador viejo, siga estas instrucciones para ayudar a prevenir accidentes.

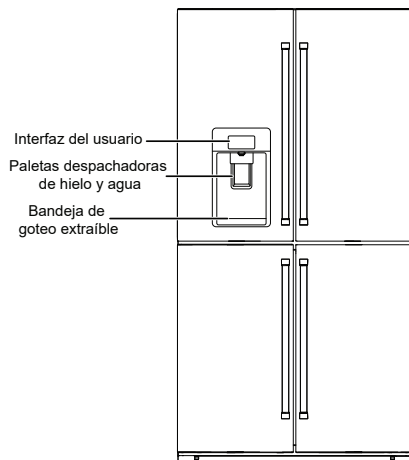
Información importante para saber acerca del desecho de refrigerantes:

Deshágase del refrigerador siguiendo los reglamentos federales y locales. Los refrigerantes deberán ser evacuados por un técnico certificado en refrigeración por EPA (Agencia de protección del medio ambiente) según los procedimientos establecidos.

PIEZAS Y CARACTERÍSTICAS



- A. Refrigerador
- B. Congelador
- C. Zona de temperatura flexible



NOTA:

- Los cajones, cestas y estantes permanecerán en la posición de la imagen superior. Esta es la mejor condición para el consumo de energía. Este refrigerador no está destinado a ser utilizado como electrodoméstico empotrado.
- Cuando instale el refrigerador por primera vez, asegúrese de que los controles sigan fijados en los puntos de ajuste recomendados. Los puntos de ajuste recomendados de fábrica son 3 °C (37,4 °F) para el refrigerador y -18 °C (-0,4 °F para el congelador. Los límites de carga vienen determinados por las cestas, aletas, cajones, estantes, etc. Asegúrese de que estos componentes puedan seguir cerrándose fácilmente después de la carga.

¿QUÉ HAY DE NUEVO DETRÁS DE LAS PUERTAS?

Depósito de Hielo In-Door-Ice®

La fábrica de hielo y el depósito de hielo están en la puerta para facilitar el acceso al hielo filtrado, dejar libre un importante espacio en los estantes del interior y agregar cajones adicionales en la puerta para mayor espacio útil.

Protección de Congelamiento

Esta característica minimiza la migración de humedad en los alimentos congelados y reduce las quemaduras por congelado.

Plato Extraíble

Este estante deslizante de ancho completo que se encaja entre los cajones para verduras y el estante más bajo es ideal para restos de tamaño familiar de guisados, cajas de pizza y fuentes grandes para reuniones.

Cajón de Despensa para Productos Delicados

Para almacenar productos como carnes, fiambres y bebidas en el entorno de refrigeración ideal.

Despachador de agua con Llenado medido

La función Measured Fill (Llenado Medido) le permite despachar la cantidad deseada de agua filtrada en prácticos incrementos como 6,8 oz (0,2 litros), 16,9 oz (0,5 litros) y 33,8 oz (1,0 litro).

Luces LED panorámicas

Múltiples bandas de luces LED al interior del compartimiento del refrigerador, compartimiento del congelador y cajones interiores minimizan las sombras y distribuyen de manera uniforme la luz en el refrigerador.

Zona Flexible FreshChill

Cambie de refrigerador a congelador con un solo toque. Para ello, seleccione entre las más de seis temperaturas preconfiguradas y cree el espacio que desee según las distintas necesidades.

LCD

Las pantallas de alta definición con pantalla táctil ofrecen recomendaciones personalizadas y permiten interactuar con el refrigerador de forma rápida y sin esfuerzo.

INSTRUCCIONES DE INSTALACIÓN

Cómo Empezar

Lista de Control de la Instalación

Suministro Eléctrico

⚠ ADVERTENCIA



Peligro de choque eléctrico

Conecte a un tomacorriente con conexión a tierra de 3 terminales.

No quite el terminal de conexión a tierra.

No use un adaptador.

No utilice un cable de extensión.

No seguir estas instrucciones puede ocasionar la muerte, un incendio o un choque eléctrico.

- Enchufe el refrigerador en un contacto con conexión a tierra.

Puertas

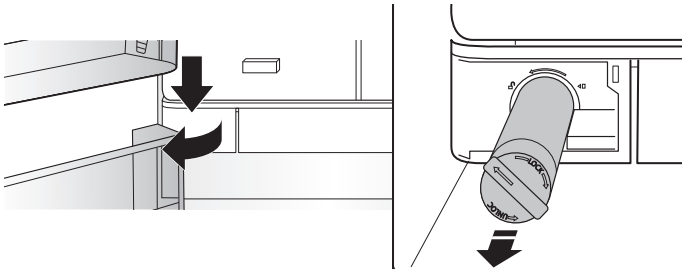
- Si necesita retirar las puertas durante la instalación, consulte las secciones "Cómo retirar y volver a colocar las puertas del refrigerador" y "Cómo retirar y volver a colocar las puertas delanteras del congelador".
- Las puertas tienen un cierre hermético completo.
- El refrigerador está nivelado. Ajuste los pies de nivelación para que queden bien apoyados contra el suelo.
- Las puertas están parejas en la parte superior. (Use la característica de alineamiento de las puertas si es necesario.)

Revisiones Finales

- Extraiga todo el material de transporte.
- Fije los controles de temperatura en el ajuste recomendado.
- Guarde las instrucciones y otros materiales impresos.
- Para recibir asistencia más completa, registre su producto en www.whirlpool.com.

Instalación del Filtro de Agua

- Ubique el compartimiento del filtro de agua en el lado izquierdo inferior del compartimiento del refrigerador. Empuje el lado derecho de la puerta de filtro para abrirla.
- Alinee la flecha sobre la tapa del filtro del agua con la muesca recortada en el alojamiento del filtro e inserte el filtro.
- Una vez insertado el filtro, gírelo 90° (1/4 de vuelta) hacia la derecha hasta que encaje dentro del alojamiento.
- Empuje la puerta del filtro de agua hasta la posición cerrada para asegurarla.
- Haga correr 3 galones (11,4 L) de agua por el sistema de agua para eliminar el aire de la línea de agua y para evitar que el despachador gotee o evitar que el flujo del despachador disminuya.
- Restablezca el contador del filtro en la interfaz de usuario. Consulte el procedimiento para restablecer el filtro en la sección Controles del usuario.



NOTA: Si el filtro no se ha instalado correctamente, el agua podría salir a un caudal más bajo y causar una producción de hielo más lenta. Una mala instalación del filtro puede causar también que el alojamiento del filtro de agua pierda.

Desembalaje del Refrigerador

⚠ ADVERTENCIA

Peligro de peso excesivo

Use dos o más personas para mover e instalar o desinstalar el electrodoméstico.

No seguir esta instrucción puede ocasionar lesiones en la espalda o de otro tipo.

Entrega del refrigerador

- Se requiere una apertura mínima de la puerta de 33" (838 mm). Si la apertura de la puerta es de 36" (914 mm) o menos, será necesario retirar las puertas, los cajones y las bisagras.
- Traslade el refrigerador por el lado de las aperturas de puerta.

Cuando mueva el refrigerador:

El refrigerador es pesado. Cuando mueva el refrigerador para la limpieza o para darle servicio, cerciórese de cubrir el piso con cartón o madera para evitar daños en él. Al mover el refrigerador, siempre tire en línea recta hacia afuera. No menee el refrigerador de lado a lado ni lo haga "caminar" cuando lo trate de mover ya que podría dañar el suelo.

Cómo retirar el material de embalaje

- Retire los restos de cinta y pegamento de las superficies del refrigerador antes de encenderlo. Frote con los dedos un poco de detergente líquido para vajilla sobre el pegamento. Limpie con agua tibia y seque.
- No use instrumentos filosos, alcohol isopropílico, líquidos inflamables o limpiadores abrasivos para eliminar los restos de cinta o de adhesivo. Esos productos pueden dañar la superficie de su refrigerador. Para más información, consulte "Seguridad del refrigerador".
- Deseche o recicle todo el material de embalaje.

Limpieza antes del uso

Una vez que haya quitado todos los materiales de empaque, limpie el interior de su refrigerador antes de usarlo. Consulte las instrucciones de limpieza en "Cuidado de su refrigerador".

Información importante acerca de los estantes y las cubiertas de vidrio:

No limpie los estantes y las cubiertas de vidrio con agua caliente mientras estén fríos. Los estantes y tapas pueden romperse si se exponen a cambios bruscos de temperatura o a impactos, como sería un golpe brusco. El vidrio templado se ha diseñado para hacerse añicos. Esto es normal. Los estantes y tapas de vidrio son muy pesados. Use ambas manos al sacarlos para evitar que se caigan.

Requisitos de Ubicación

⚠ ADVERTENCIA



Peligro de explosión

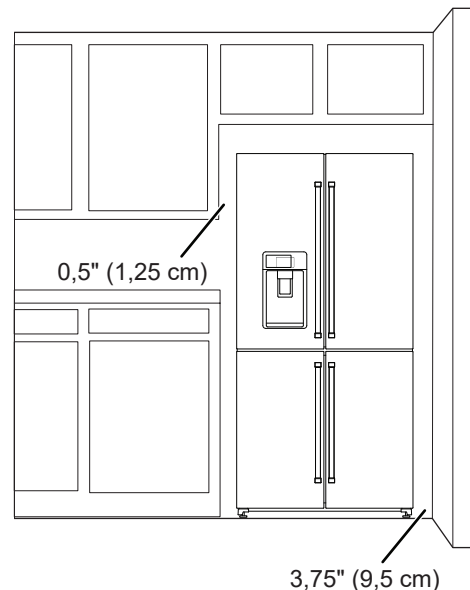
Mantenga los materiales y vapores inflamables, como la gasolina, alejados del electrodoméstico.

Use un limpiador no inflamable.

No seguir esta instrucción puede ocasionar la muerte, explosión o incendio.

Para asegurar la adecuada ventilación para su refrigerador, deje un espacio de 0,5" (1,25 cm) a cada lado y por encima. Deje un espacio de 2" (5 cm) detrás del refrigerador. Si el refrigerador tiene una fábrica de hielo, asegúrese de que haya espacio adicional detrás para las conexiones de la línea de agua. Cuando instale el refrigerador próximo a una pared fija, deje un espacio mínimo de 3,75" (9,5 cm) entre el refrigerador y la pared, para permitir que la puerta se abra bien.

NOTA: Este refrigerador ha sido diseñado para usarse en un lugar en donde los rangos de temperatura varíen entre un mínimo de 10 °C (50 °F) y un máximo de 43 °C (109 °F). Para un óptimo rendimiento, el rango preferido de temperatura ambiente (que reduce el consumo de electricidad y provee un enfriamiento superior) es entre 15 °C (59 °F) y 32 °C (90 °F). No se recomienda instalar el refrigerador cerca de una fuente de calor, como un horno o un radiador.



Requisitos Eléctricos

⚠ **ADVERTENCIA**



Peligro de choque eléctrico

Conecte a un tomacorriente con conexión a tierra de 3 terminales.

No quite el terminal de conexión a tierra.

No use un adaptador.

No utilice un cable de extensión.

No seguir estas instrucciones puede ocasionar la muerte, un incendio o un choque eléctrico.

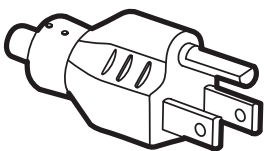
IMPORTANTE: La instalación y la conexión eléctrica deberán ser llevadas a cabo por parte de un técnico competente, siguiendo las instrucciones del fabricante y cumpliendo con los reglamentos locales de seguridad.

- El refrigerador está diseñado para funcionar en un circuito separado de 115 V, 60 Hz.
- Cerciórese de que la tensión especificada en la placa de clasificación corresponda con la de su hogar.
- Deberá ser posible desconectar el aparato del suministro de energía desenchufándolo o por medio de un interruptor de dos terminales instalado arriba del casquillo.
- Si se daña el cable de suministro eléctrico, deberá sustituirlo el fabricante, su agente de servicios o una persona calificada para evitar peligros.

Antes de mover el refrigerador a su ubicación final, es importante asegurarse de tener la conexión eléctrica adecuada:

Método Recomendado de Conexión a Tierra

Se requiere un suministro eléctrico de 115 V, 60 Hz, solo CA, 15 A o 20 A con fusible y conexión a tierra. Se recomienda proporcionar un circuito de alimentación separado que preste servicio solo al refrigerador y a los accesorios aprobados. Utilice un tomacorriente que no se pueda apagar con un interruptor. No utilice un cable de extensión.



Tipo B

IMPORTANTE: Si este producto está conectado a un tomacorriente protegido con GFCI (Ground Fault Circuit Interrupter- Interruptor de circuito de falla eléctrica de puesta a tierra), puede ocurrir un disparo molesto del suministro de energía, lo que resultará en la pérdida de refrigeración. Esto puede afectar a la calidad y el sabor de los alimentos. Si ha ocurrido una desconexión molesta, y el alimento aparenta estar en malas condiciones, deshágase del mismo.

NOTA: Antes de realizar cualquier tipo de instalación, limpieza o de quitar un foco de luz, apague el enfriamiento o gire el control (del termostato, del refrigerador o del congelador según el modelo) hasta la posición Off (Apagado). En los modelos con control de temperatura digital, presione los botones con el signo menos repetidamente hasta que aparezca un guión (-) en la pantalla del congelador y en la del refrigerador. Desconecte el refrigerador de la fuente de suministro eléctrico. Cuando haya terminado, reconecte el refrigerador a la fuente de energía eléctrica y encienda el enfriamiento o vuelva a ajustar el control (del termostato, del refrigerador o del congelador según el modelo) en la posición deseada. Consulte la "Guía de Inicio Rápido".

Cómo retirar y volver a colocar las puertas del refrigerador

NOTA: Mida el ancho de la abertura de la puerta para averiguar si es necesario retirar las puertas del refrigerador para ingresarlo a su hogar. Si es necesario quitar las puertas, vea las instrucciones a continuación.

IMPORTANTE: Si el refrigerador se instaló previamente y lo va a sacar de la casa, apáguelo antes de comenzar a retirar las puertas. Desenchufe el refrigerador o desconecte el suministro de energía. Retire los alimentos y los cajones ajustables o de uso múltiple de las puertas.

HERRAMIENTAS NECESARIAS: Llave Allen de 6 mm, llave Allen de 5 mm y destornillador Phillips N° 2.

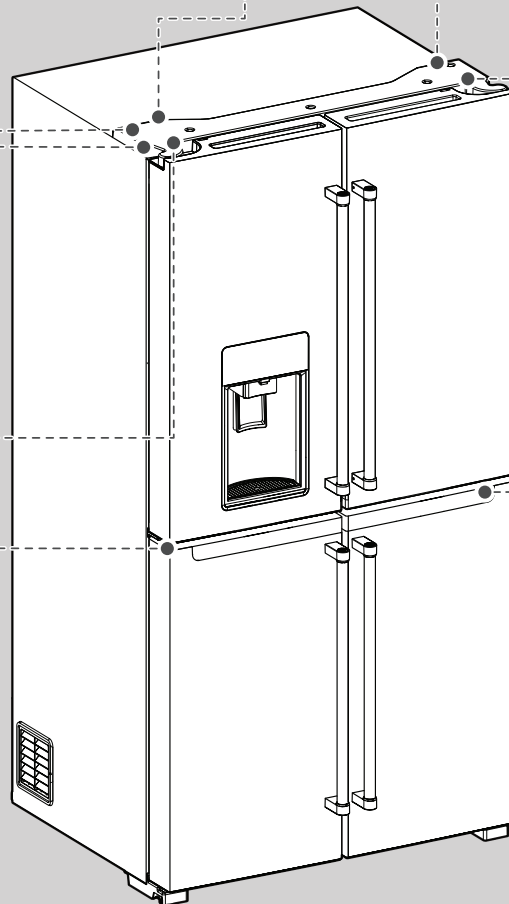
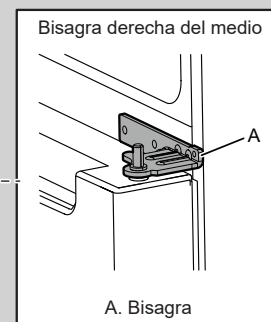
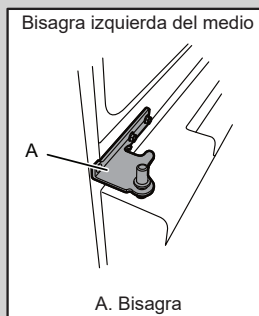
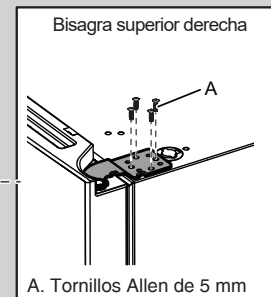
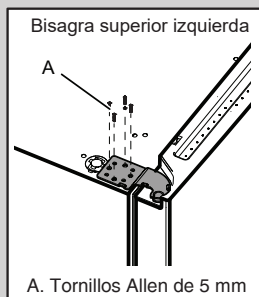
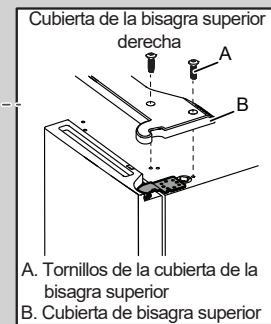
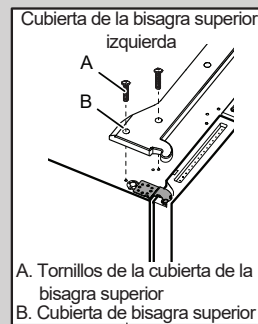


⚠️ ADVERTENCIA

Peligro de choque eléctrico

Desconecte el suministro de energía antes de sacar las puertas.

No seguir esta instrucción puede ocasionar la muerte o un choque eléctrico.



⚠ ADVERTENCIA

Peligro de peso excesivo

Use dos o más personas para levantar la puerta del electrodoméstico.

No seguir esta instrucción puede ocasionar lesiones en la espalda o de otro tipo.

Cómo quitar las puertas del refrigerador

⚠ ADVERTENCIA



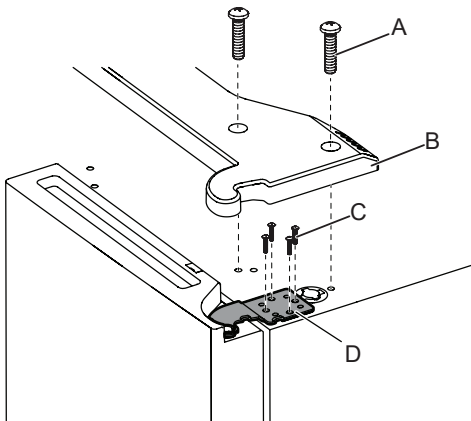
Peligro de choque eléctrico

Desconecte el suministro de energía antes de sacar las puertas.

No seguir esta instrucción puede ocasionar la muerte o un choque eléctrico.

Cómo quitar la puerta del lado derecho

1. Desenchufe el refrigerador o desconecte el suministro de energía.
2. Mantenga las puertas del refrigerador cerradas hasta que esté listo para levantarlas y quitarlas del gabinete.
NOTA: Mientras retira las bisagras, siempre disponga de un soporte adicional para la puerta del refrigerador. No confíe en que los imanes de la junta de la puerta van a sostenerla en su lugar mientras trabaja.
3. Use un destornillador Phillips para quitar la cubierta de la bisagra superior.
4. Con una llave de 5 mm, retire los cuatro tornillos de la bisagra superior y déjelos a un lado.



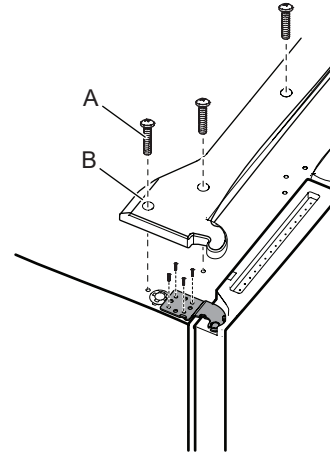
- A. Tornillo de la cubierta de la bisagra superior
- B. Cubierta de la bisagra superior
- C. Tornillos Allen de 5 mm
- D. Bisagra superior

5. Levante la puerta del refrigerador para retirarla del pasador de la bisagra del medio. La bisagra superior se saldrá junto con la puerta.

Cómo retirar la puerta del lado izquierdo

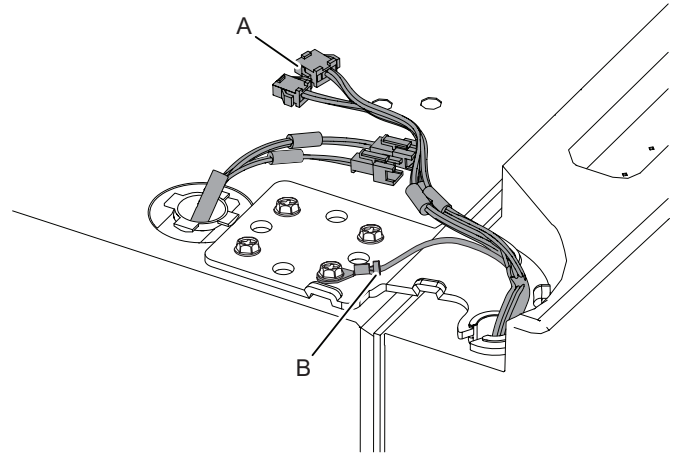
IMPORTANTE: El cableado para la interfaz de usuario pasa a través de la bisagra de la puerta del lado izquierdo, de modo que lo debe desconectar antes de quitar la puerta.

1. Use un destornillador Phillips para quitar la cubierta de la bisagra superior.



- A. Tornillo de la cubierta de la bisagra superior
- B. Cubierta de la bisagra superior

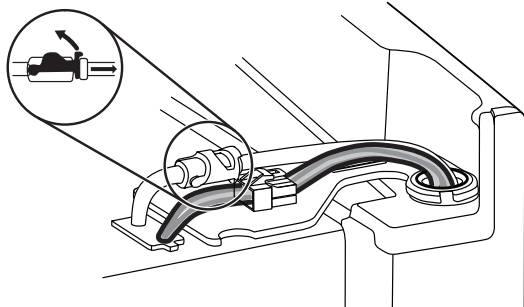
2. Desconecte los dos enchufes de cableado que están en la parte superior de la bisagra de la puerta.
 - Sujete cada lado de los enchufes de cableado. Con el pulgar izquierdo presione hacia abajo para liberar el seguro y jale las secciones de los enchufes para separarlas.



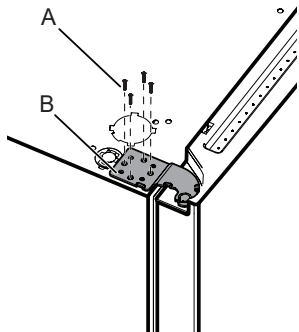
- A. Enchufe de cableado
- B. Conector a tierra (masa)

- Desconecte la tubería del despachador de agua ubicada en la parte superior de la bisagra de la puerta. Jale la abrazadera hacia arriba con firmeza. Luego, jale la tubería para retirarla del accesorio.

NOTA: La tubería del despachador de agua permanece conectada a la puerta del lado izquierdo del refrigerador.



- Con una llave de 5 mm, retire los cuatro tornillos internos de la bisagra superior y déjelos a un lado.



A. Tornillos Allen de 5 mm
B. Bisagra superior

NOTA: Mientras retira las bisagras, siempre disponga de un soporte adicional para la puerta del refrigerador. No confíe en que los imanes de la junta de la puerta van a sostenerla en su lugar mientras trabaja.

- Levante la puerta del refrigerador para retirarla del pasador de la bisagra inferior. La bisagra superior se saldrá junto con la puerta.

NOTA: Quizá no sea necesario quitar las bisagras inferiores y los conjuntos de patas con freno para hacer pasar el refrigerador por una puerta.

- Solo si es necesario, use una llave Allen de 6 mm y un destornillador Phillips n.º 2 para retirar la bisagra del medio.

Cómo volver a colocar la puerta del lado derecho del refrigerador

- Coloque la puerta del lado derecho sobre el pasador de la bisagra del medio.
- Inserte el pasador de la bisagra superior en el orificio abierto de la parte superior de la puerta del refrigerador.
- Con cuatro tornillos Allen de 5 mm fije la bisagra al gabinete. No ajuste los tornillos por completo.

Cómo Volver a Colocar la Puerta del Lado Izquierdo del Refrigerador

- Coloque la puerta del lado izquierdo sobre el pasador de la bisagra del medio.
- Con cuatro tornillos Allen de 5 mm fije la bisagra al gabinete. No ajuste los tornillos por completo.

- Vuelva a conectar el cableado eléctrico.
 - Empuje y una las dos secciones del enchufe de cableado.
 - Vuelva a conectar el cable a tierra al tornillo de la bisagra.

Pasos Finales

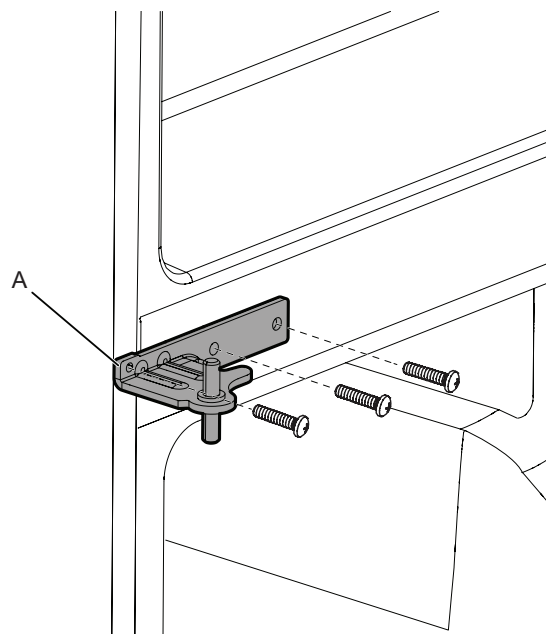
- Apriete completamente los ocho tornillos Allen de 5 mm.
- Vuelva a colocar las cubiertas de la bisagra superior.

Retirar y volver a colocar la puerta del congelador/zona de temperatura flexible

- Mantenga las puertas del congelador cerradas hasta que esté listo para levantarlas y quitarlas del gabinete.

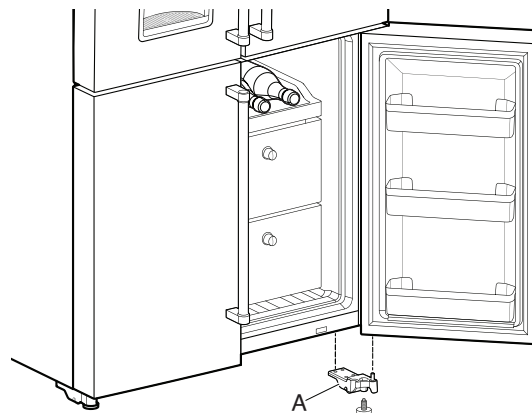
NOTA: Mientras retira las bisagras, siempre disponga de un soporte adicional para la puerta del congelador. No dependa de los imanes de la junta de las puertas para sostener la puerta en su lugar mientras trabaja.

- Con un destornillador Phillips n.º 2 y una llave Allen de 6 mm, retire la bisagra del medio del gabinete.



A. Bisagra central

- Levante y saque la puerta del congelador del pasador inferior de la bisagra.



A. Bisagra inferior

Pasos finales

⚠ ADVERTENCIA



Peligro de choque eléctrico

Conecte a un tomacorriente con conexión a tierra de 3 terminales.

No quite el terminal de conexión a tierra.

No use un adaptador.

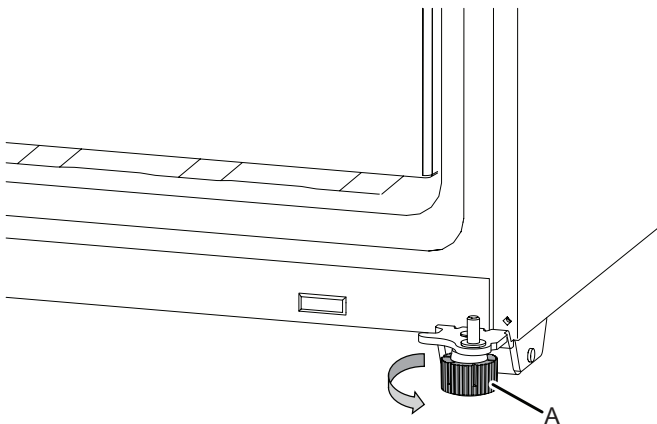
No utilice un cable de extensión.

No seguir estas instrucciones puede ocasionar la muerte, un incendio o un choque eléctrico.

1. Enchufe en un contacto con conexión a tierra.
2. Vuelva a colocar todas las piezas desmontables y los alimentos en los cajones.

Nivelado del Refrigerador

1. Mueva el refrigerador hacia su ubicación final.
2. Con la mano, gire las patas con freno. Gírelas en sentido antihorario hasta que los rodillos queden separados del piso y ambas patas con freno estén apretadas contra el piso. Esto evita que el refrigerador se balancee hacia adelante al abrir las puertas.



A. Pies de freno

IMPORTANTE: Si necesita hacer otros ajustes con las patas con freno, deberá girarlas por igual para mantener nivelado el refrigerador.

3. Con un nivel, cerciórese de que el refrigerador esté nivelado de lado a lado y del frente hacia la parte posterior.

Requisitos del Suministro de Agua

Se necesita un suministro de agua fría con presión de agua entre 20 y 145 psi (138 y 1.000 kPa) para hacer funcionar el despachador de agua y la fábrica de hielo. Si tiene preguntas acerca de la presión del agua, llame a un plomero competente calificado.

NOTA: Si la presión de agua es menor que la necesaria, el flujo de agua del despachador de agua podría disminuir o los cubos de hielo podrían ser huecos o de forma irregular.

Suministro de Agua por Ósmosis Inversa

IMPORTANTE: La presión del suministro de agua que sale de un sistema de ósmosis inversa y suministra a la válvula de entrada de agua del refrigerador debe ser entre 20 psi y 145 psi (138 kPa y 1.000 kPa).

Si el sistema de filtrado de agua por ósmosis inversa está conectado al suministro de agua fría, la presión de agua para el sistema de ósmosis inversa debe ser, como mínimo, de 40 a 60 psi (276 a 414 kPa).

- Verifique si el filtro de sedimentos del sistema de ósmosis inversa está bloqueado. Reemplácelo si es necesario.
 - Deje que se vuelva a llenar el tanque de almacenaje del sistema de ósmosis inversa después del uso intenso. La capacidad del tanque podría ser demasiado pequeña para cumplir con los requisitos del refrigerador.
- NOTA:** No se recomiendan sistemas de ósmosis inversa para montar en el grifo.
- Si el refrigerador tiene un filtro de agua, puede reducir la presión aún más si se usa junto con un sistema de ósmosis inversa. Quite el filtro de agua. Consulte la sección "Sistema de Filtración de Agua".

Si tiene preguntas acerca de la presión del agua, llame a un plomero competente calificado.

Conexión del Suministro de Agua

Lea todas las instrucciones antes de comenzar.

IMPORTANTE:

- Conecte solamente a un suministro de agua potable.

No use con agua que no sea microbiológicamente segura o que sea de calidad desconocida sin desinfectarla adecuadamente antes o después del sistema. Pueden usarse sistemas certificados para la reducción de partículas en aguas desinfectadas que puedan contener partículas filtrables.

- La tubería debe instalarse de acuerdo con el Código Internacional de Plomería y con cualquier norma y ordenanza local.
- Las conexiones de tuberías de cobre y PEX de la línea de agua doméstica al refrigerador son aceptables y ayudarán a evitar el mal sabor o mal olor en el hielo o el agua. Revise si hay fugas. Si se usa tubería de PEX en lugar de cobre, recomendamos los siguientes números de pieza: W10505928 (7 ft [2,14 m] de PEX revestido), 8212547 (5 ft [1,52 m] de PEX) o W10267701 (25 ft [7,62 m] de PEX).
- Instale la tubería solo en áreas donde la temperatura va a permanecer por encima del punto de congelación.

Herramientas necesarias:

Reúna las herramientas y las piezas necesarias antes de comenzar la instalación.

- Destornillador de cabeza plana
- Llaves de extremo abierto de 7/16" y 1/2" o dos llaves ajustables
- Llave para tuercas de 1/4"

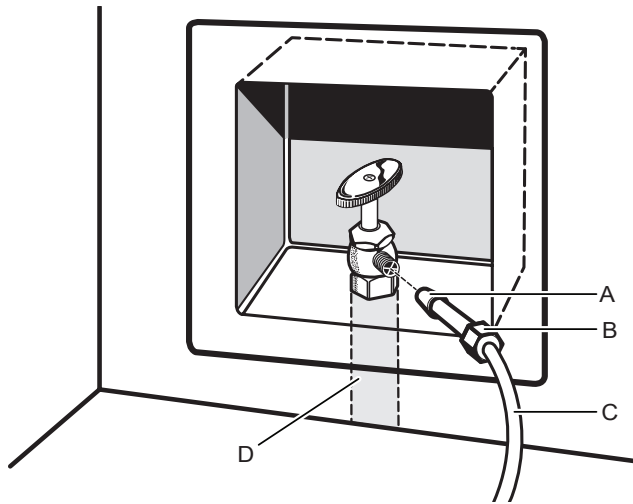
NOTA: No use una válvula perforadora o una de montura de 3/16" (4,76 mm) ya que reducen el flujo de agua y se obstruyen con más facilidad.

Cómo conectar a la línea de agua

IMPORTANTE: Si encendió el refrigerador antes de conectar el agua, apague la fábrica de hielo.

1. Desenchufe el refrigerador o desconecte el suministro de energía.
2. Cierre el suministro principal de agua. Abra el grifo más cercano el tiempo suficiente para reducir la presión de agua en la línea de agua.
3. Use una válvula de cierre de 3/4"-14" o equivalente. El refrigerador se suministra con una línea de suministro doméstica con el kit de instalación que se conecta a la válvula de cierre y al refrigerador.

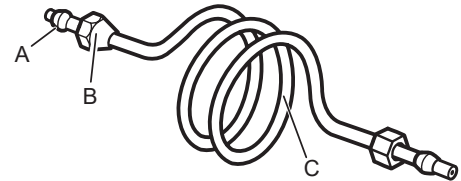
NOTA: El electrodoméstico se suministra con un kit de instalación de agua. Para garantizar la conexión correcta al suministro de agua, use un material de sellado adecuado en la conexión. Verifique que la conexión se haya sellado adecuadamente luego de algunas horas de funcionamiento.



A. Manga
B. Tuerca

C. Tubería de cobre (al refrigerador)
D. Línea de suministro doméstico

4. Ahora está listo para conectar la tubería de cobre o PEX a la válvula de cierre. Use tubos de cobre o PEX de 1/4" (6,35 mm) de diámetro externo (DE) para conectar la válvula de cierre y el refrigerador.
 - Asegúrese de que tenga el largo adecuado para su uso. Asegúrese de que ambos extremos de la tubería de cobre tengan un corte recto.
 - Deslice el manguito y la tuerca de compresión sobre la tubería de cobre como se muestra. (La tubería de PEX tiene mangas de compresión y tuercas de compresión preinstaladas.) Inserte el extremo de la tubería en el extremo de salida en ángulo recto hasta donde sea posible. Atornille la tuerca de compresión al extremo de salida con una llave ajustable. No ajuste demasiado.



A. Manguito de compresión
B. Tuerca de compresión

C. Tubería de cobre

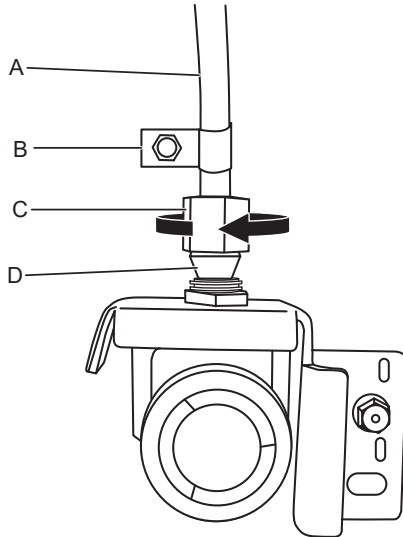
5. Coloque el extremo libre de la tubería en un recipiente o un fregadero, abra el suministro principal del agua y deje correr agua por la tubería hasta que el agua salga limpia. Cierre la válvula de cierre de la tubería de agua.

NOTA: Siempre vacíe la línea de agua antes de efectuar la conexión final a la entrada de la válvula de agua para evitar un posible mal funcionamiento de la válvula.
6. Doble la tubería de cobre para que alcance la entrada de la línea de agua, la cual está ubicada en la parte posterior del gabinete del refrigerador, como se muestra. Deje una sección de tubería de cobre enrollada para que el refrigerador se pueda extraer del gabinete o alejar de la pared para realizar trabajos de mantenimiento.

Conexión al refrigerador

Siga las instrucciones de conexión que sean específicas para su modelo.

1. Saque la tapa de plástico del puerto de entrada de la válvula de agua. Fije la tubería de cobre a la entrada de la válvula con una tuerca y una manga de compresión, como se muestra. Ajuste la tuerca de compresión. No ajuste demasiado. Jale la tubería de cobre para comprobar que esté firme.
2. Haga un lazo de servicio con la tubería de cobre. Evite las torceduras cuando enrolle la tubería de cobre. Asegure la tubería de cobre al gabinete del refrigerador con una abrazadera en "P".



- A. Tubería de cobre
B. Abrazadera en "P"
C. Tuerca de compresión
D. Manguito de compresión

3. Abra el suministro de agua al refrigerador y revise si hay fugas de agua. Corrija cualquier fuga.
 4. Si desea hielo, encienda la fábrica de hielo.
- NOTA:** Deje transcurrir 24 horas para la producción del primer lote de hielo. Deseche los tres primeros lotes de hielo producidos. Espere tres días para llenar por completo el depósito de almacenamiento de hielo.

Cómo instalar y remover las manijas

Piezas incluidas: manijas de puertas del refrigerador (2), manija de cajón del congelador (2), llave hexagonal de 1/8" (3,18 mm) y 3/32", tornillos de repuesto

NOTA: La manija del cajón del congelador es más corta que las manijas de las puertas del refrigerador. El estilo de las manijas puede variar según el modelo.

Instalación de las manijas

NOTA: El kit de manijas se suministra con instrucciones para instalar las manijas en las puertas. Sígala atentamente.

FILTROS Y ACCESORIOS

Sistema de Filtrado de Agua

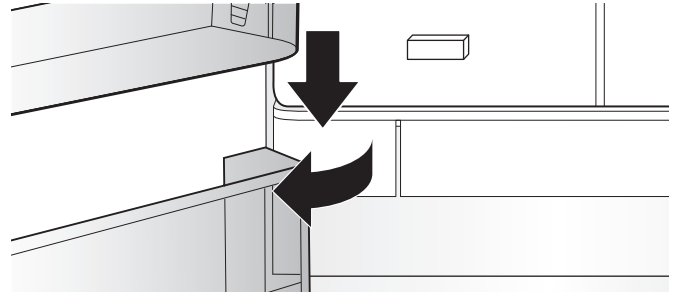
No use con agua que no sea microbiológicamente segura o que sea de calidad desconocida sin desinfectarla adecuadamente antes o después del sistema. Pueden usarse sistemas certificados para la reducción de quistes en aguas desinfectadas que puedan contener quistes filtrables.

Cómo Cambiar e Instalar el Filtro de Agua

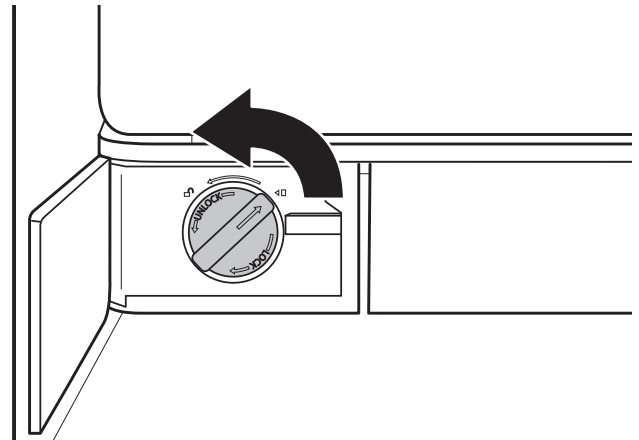
El filtro del agua debe ser reemplazado cada 6 meses según la tasa de flujo de 0,50 gpm-0,60 gpm (1,89-2,27 Lpm) que filtra 200 galones (757 L) de agua.

Para pedir un filtro de repuesto, póngase en contacto con nosotros. Vea la sección "Accesorios" del Manual de Uso y Cuidado para obtener información sobre pedidos.

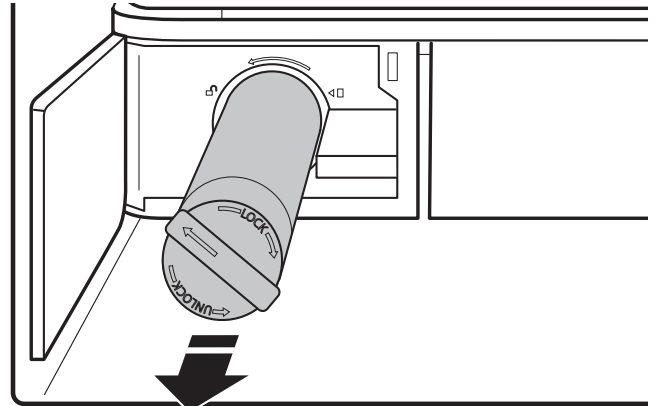
1. Empuje la puerta del filtro de agua para abrirla; se encuentra en la parte inferior izquierda del compartimiento del refrigerador.



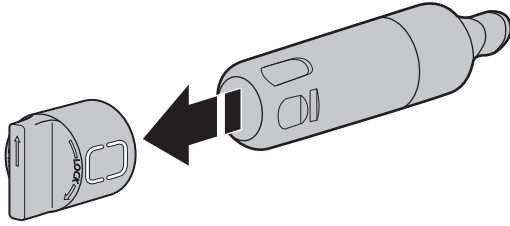
2. Retuerza el filtro de agua y gire 90° en sentido antihorario para destrabarlo.



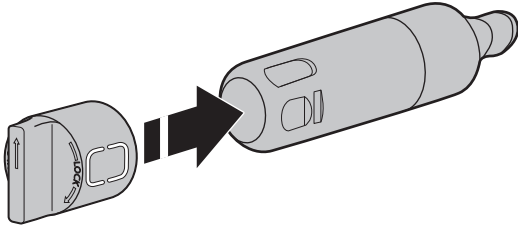
3. Jale el filtro hacia fuera de la carcasa.



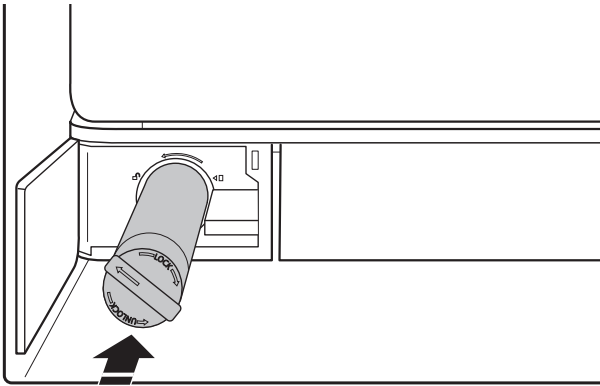
4. Quite la tapa del filtro de agua que está cambiando.



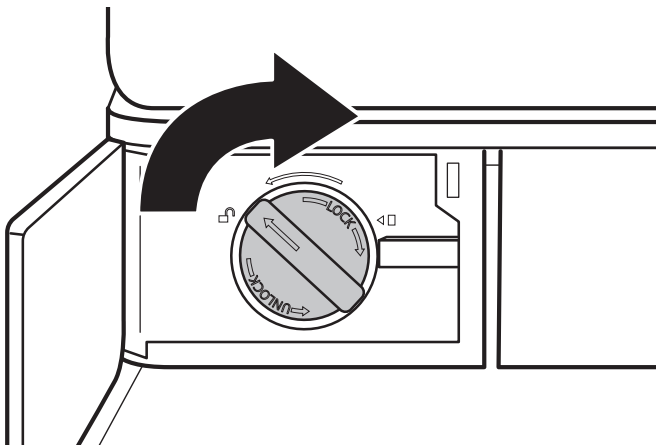
5. Instale la tapa del filtro de agua en el nuevo filtro. Asegúrese de alinear las flechas de modo que las ranuras del filtro se alineen con las nervaduras en la tapa del filtro.



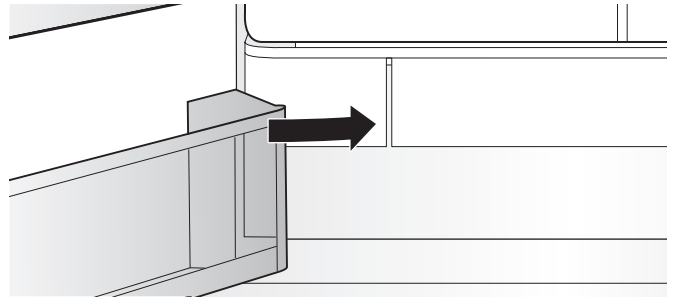
6. Inserte el filtro en la carcasa.



7. Retuerza el filtro de agua y gire 90° en sentido horario hasta que se trabe en su lugar y hasta que las flechas queden alineadas.



8. Empuje la puerta del filtro de agua para cerrarla.



9. Restablezca el contador del filtro en la interfaz de usuario. Consulte el procedimiento para restablecer el filtro en la sección Control del usuario.

Luces de Estado del Filtro de Agua

Las luces de estado del filtro de agua le ayudarán a saber cuándo cambiar el filtro de agua.

- **PEDIR FILTRO (amarillo):** ya casi es momento de cambiar el filtro de agua. La leyenda "Order Filter" (Pedir Filtro) queda ENCENDIDA (ON) todo el tiempo, pero SE APAGA (OFF) en el modo Showroom (Sala de Exposición).

- **REEMPLAZAR FILTRO (rojo):** reemplace el filtro de agua. Mientras está despachando agua, "Replace Filter" (Reemplazar el Filtro) destellará siete veces y sonará un tono de alerta tres veces.

NOTA: "REPLACE FILTER" (REEMPLAZAR FILTRO) permanecerá iluminada si no se restablece el filtro en la interfaz de usuario (IU).

- **RESET FILTER (RESTABLECER FILTRO):** Toque el botón "Filter Reset" (Restablecer Filtro) durante 3 segundos para restablecer el filtro de agua. La pantalla hará una cuenta regresiva de 3 segundos, el icono destellará y reproducirá un tono.

Accesorios

Consulte la Guía de Inicio Rápido para Información sobre cómo realizar Pedidos en Línea.

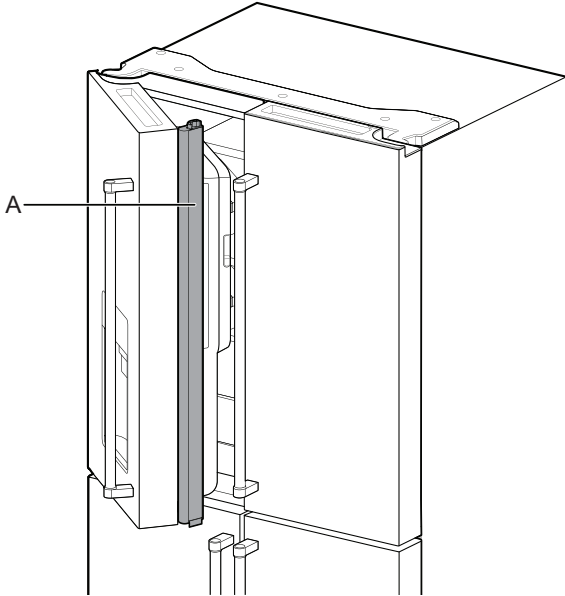
USO DE SU REFRIGERADOR

Cómo Abrir y Cerrar las Puertas

El compartimiento para alimentos frescos tiene dos puertas. Las puertas pueden abrirse y cerrarse por separado o juntas. Hay una junta con bisagras vertical en la puerta izquierda del refrigerador.

- Cuando se abre la puerta izquierda, la junta con bisagras se pliega automáticamente hacia adentro para quedar fuera del paso.
- Cuando ambas puertas están cerradas, la junta con bisagras forma automáticamente un sello entre las dos puertas.

NOTA: Cuando cierra la puerta, el sello con bisagras debería estar en la posición correcta (estar doblada en el interior). De lo contrario, tocará la puerta derecha o el eje de fijación.

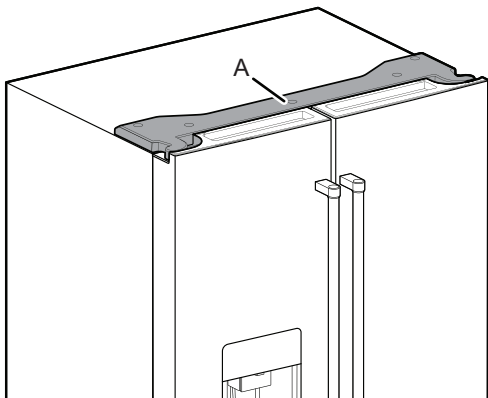


A. Junta con bisagras

El interruptor de la puerta del compartimiento para alimentos frescos está ubicado en la cubierta de la bisagra del lado superior izquierdo y derecho.

- Para el Congelador y Compartimiento Convertible, el interruptor de la puerta está ubicado en el parteluz.
- El interruptor de la puerta usa imanes para detectar la apertura y el cierre de la puerta.
- Asegúrese de que no haya imanes ni dispositivos electrónicos (Altavoces, Coolvox®, etc.) a 7,62 cm de la cubierta de la bisagra.

NOTA: La luz no se encenderá si no se detecta que se abrió la puerta.

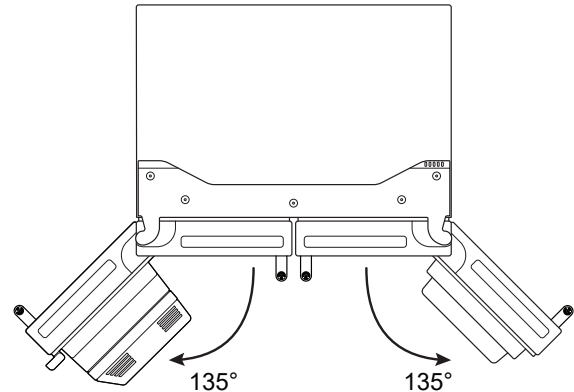


A. Cubierta de la bisagra

Ajuste de la Altura de los Estantes

Se puede ajustar la altura de los estantes cambiando su ubicación entre el soporte inferior y superior, y viceversa.

- Abra la puerta lateral derecha y la puerta lateral izquierda hasta 130°.



Despachador de Hielo

IMPORTANTE:

- Si los cubos de hielo están huecos o tienen una forma irregular, podría deberse a una baja presión de agua. Consulte la sección "Requisitos de Suministro de Agua".
- El hielo pasa del depósito de hielo a través del conducto del despachador al despachador. Para apagar la fábrica de hielo, consulte la sección "Fábrica de Hielo y Depósito".
- El despachador puede seguir emitiendo ruidos y puede continuar el despacho de hielo varios segundos después de que se suelte el botón o la paleta del despachador.

Para Limpiar el Conducto del Despachador de Hielo:

La humedad hace que el hielo se aglutine naturalmente. Las partículas de hielo pueden acumularse hasta que el conducto del despachador de hielo se bloquee.

Si no se despacha hielo con regularidad, tal vez sea necesario vaciar el depósito de hielo y limpiar el conducto de salida de hielo, el depósito de hielo y el área debajo del depósito de hielo cada 2 semanas.

- Si es necesario, quite el hielo atascado en el recipiente de almacenamiento y en el conducto de salida de hielo con un utensilio plástico.
- Limpie el conducto de salida de hielo y la base del depósito de hielo con un paño humedecido con agua tibia y, después, seque meticulosamente.

Para Despachar Hielo - Paleta Despachadora

1. Para seleccionar el tipo de hielo deseado, presione CUBED ICE (CUBOS DE HIELO) o CRUSHED ICE (HIELO PICADO).

⚠ ADVERTENCIA



Peligro de cortaduras

Use un vaso resistente para recibir hielo del despachador.

No seguir esta instrucción puede ocasionar cortaduras.

2. Coloque un vaso resistente contra la paleta del despachador. Sostenga el vaso junto a la abertura del despachador para que el hielo no caiga fuera del vaso.

IMPORTANTE: No es necesario aplicar mucha presión sobre la paleta para activar el despachador de hielo. Si presiona fuerte no se acelerará el despachador ni se producirá una mayor cantidad de hielo.

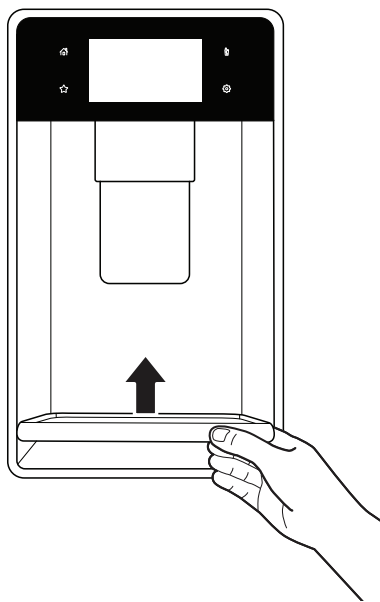
3. Retire el vaso para detener el despacho.

NOTA: El hielo puede continuar saliendo durante varios segundos después de haber retirado el vaso de la paleta del despachador. El despachador puede continuar haciendo ruido durante algunos segundos después de finalizar.

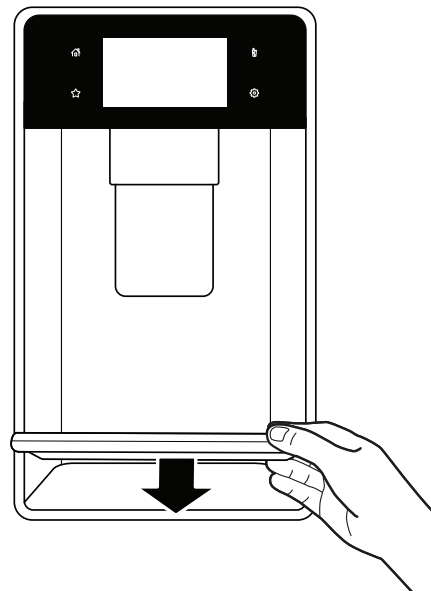
Bandeja de Goteo del Despachador

La bandeja de goteo puede retirarse para limpiarla. Realice los siguientes pasos desde la posición de extracción.

- Levante el borde delantero de la bandeja y jálela hacia adelante para retirarla.



- Tire de la bandeja hacia afuera, en ángulo, hacia la dirección frontal superior.



Para instalarlo nuevamente siga los dos pasos siguientes.

- Coloque la bandeja en forma horizontal sobre los rieles, dejando algo de espacio en la parte posterior.
- Presione hacia abajo y jale hacia sí mismo para colocar las ruedas en los rieles.

La bandeja de goteo puede retirarse para colocar contenedores más grandes durante la función measured fill (llenado medido).





Luz del despachador

1. Cuando utilice el despachador, las luces se encenderán automáticamente.

Uso de los controles

Este manual abarca varios modelos. Su modelo puede contar con algunos o todos los elementos enumerados.



| Teclado | Función | Instrucciones |
|--|-------------------------------------|---|
| Tools (Herramientas)  | Funciones para usar el refrigerador | Permite adaptar los tonos audibles y el funcionamiento de refrigeración a sus necesidades. Consulte las secciones "Herramientas" y "Otros modos". |
| Home (Principal)  | Pantalla principal | Si se presiona una vez, permite al usuario volver a la pantalla principal. La pantalla principal se apagará después de 2 minutos y aparecerá el reloj. |
| Favorites (Favoritos)  | Favoritos | El botón Favorites (Favoritos) permite al usuario guardar la cantidad de agua que utiliza con frecuencia. El usuario también puede acceder a sus Favoritos (Favoritos) guardados en función de la hora del día. |
| Ice (Hielo)  | Funcionamiento del hielo | Alterna entre hielo picado y hielo en cubos. |

NOTA: El usuario puede notar zonas más brillantes de la retroiluminación de la pantalla LCD hacia la parte inferior de la interfaz de usuario LCD. Esto es normal, y solo será visible durante los primeros 30 segundos de encendido del producto.

Touch Panel (Panel Táctil)

Touch Panel (Panel Táctil) alberga el menú de control y los controles de función. Los botones táctiles son muy sensibles y requieren solo de un toque ligero para activarse. Desplácese hacia arriba, abajo, derecha o izquierda para explorar las distintas opciones y funciones.

Para obtener más información acerca de los controles individuales, consulte las secciones respectivas en este manual.

Display (Pantalla)

Display (Pantalla) contiene los controles de las funciones de menú y del refrigerador. La pantalla táctil permite desplazarse por los menús del refrigerador. Display (Pantalla) es muy sensible y se activa y controla con un toque ligero.

Después de unos 2 minutos de inactividad, la pantalla entra en el modo de suspensión y su brillo se atenúa. Cuando el refrigerador está en funcionamiento, la pantalla permanece encendida.

Durante el uso, la pantalla muestra los menús y las selecciones adecuadas para las opciones elegidas.

Demo Mode (Modo de demostración)

Para entrar en Demo mode (Modo de Demostración), vaya a la sección **Info (Información)** en **Settings (Ajustes)** y seleccione **Demo (Demostración)**. Se pedirá al usuario que confirme la entrada en Demo Mode (Modo de Demostración). Una vez en Demo, la HMI empezará a mostrar videos de marketing.

ADVERTENCIA: Mientras esté en Demo Mode (Modo de Demostración), el producto no enfriará.

Para salir de Demo Mode (Modo de Demostración), toque la pantalla para detener la reproducción del video. A continuación, el usuario tendrá la opción de **probar el producto o Ver el video**.

Entonces, el usuario deberá seleccionar **Try the Product (Probar el producto)**, tras lo cual la pantalla navegará hasta la pantalla de inicio. A continuación, el usuario debe navegar por la sección **Info (Información)** en **Settings (Ajustes)** y seleccionar **Demo (Demostración)**. Se pedirá al usuario que confirme la salida de Demo Mode (Modo de Demostración). A continuación, la interfaz de usuario volverá a la pantalla de inicio.

Tools (Herramientas)

El botón Tools (Herramientas) le permite acceder a las funciones y opciones de personalización de su horno. Con esas herramientas se puede ajustar el reloj, cambiar la temperatura entre Fahrenheit y Celsius, activar o desactivar las señales e indicaciones audibles, cambiar el idioma y mucho más.

Seleccione el botón Tools (Herramientas) para ver sus funciones:

- Kitchen timer (Temporizador de cocina)
- Water Filter (Filtro de Agua)
- Pure Control (Control de pureza)
- Control Lock (Bloqueo de controles)
- Mute (SILENCIO)
- Light (Luz)

Para obtener más información, consulte la sección "Otros modos".

| Herramienta | Notas |
|---|---|
| Kitchen timer (Temporizador de cocina) | Para ajustar el temporizador de cocina manualmente, introduzca el tiempo que desee con los botones. <ol style="list-style-type: none"> 1. Seleccione KITCHEN TIMER (TEMPORIZADOR DE COCINA). 2. Introduzca manualmente la duración que desee. 3. Seleccione START (INICIO). 4. Seleccione CANCEL (CANCELAR) para detener el temporizador de cocina. |
| Water Filter (Filtro de agua) | Muestra el estado del filtro. <p>Para restablecer el filtro:</p> <ol style="list-style-type: none"> 1. Seleccione INSTALL NEW (INSTALAR NUEVO) y siga las instrucciones en pantalla para restablecer. 2. Siga las instrucciones del menú "Filter" (Filtro) para adquirir el filtro. |

| Herramienta | Notas |
|--|---|
| Control Lock (Bloqueo de Controles) | <p>Con Control Lock (Bloqueo de Controles) se desactivan los botones del panel de control para evitar el uso accidental del refrigerador. Control Lock (Bloqueo de Controles) permanecerá activado después de un corte de corriente. Cuando el control esté bloqueado, el usuario no podrá utilizar ningún botón ni las paletas del despachador.</p> <p>Para bloquear/desbloquear los controles:</p> <p>Para bloquear la interfaz de usuario, vaya a la sección Control Lock (Bloqueo de controles) en Settings (Ajustes).</p> <p>Para desbloquear, siga las instrucciones de la pantalla “desplazándose hacia arriba para desbloquear”.</p> |
| Mute (Silencio) | <p>Seleccione MUTE (SILENCIO) para silenciar o activar los sonidos del refrigerador.</p> |
| Light (Luz) | <p>Seleccione LIGHT (LUZ) para encender o apagar la luz del despachador.</p> |

Preferencias

Times and Dates (Horas y Fechas)

Ajuste las preferencias de hora y fecha.

NOTA: Si el usuario está conectado a una red Wi-Fi, la hora y la fecha se ajustan automáticamente.

Sound Volume (Volumen de sonido)

Ajuste las preferencias de volumen de sonido.

- Temporizadores y alertas
- Botones y efectos

Display Settings (Ajustes de pantalla)

- Brillo de la pantalla

El usuario tendrá la opción de ajustar el brillo de la pantalla.

- Eco Mode (Modo Eco):

El usuario también tendrá la opción de configurar su opción de modo de visualización preferida mientras la interfaz de usuario esté en modo de espera. El usuario puede ajustar el modo de visualización en la sección **Eco Mode (Modo Eco)** de **Display Settings (Ajustes de pantalla)**.

NOTA: Si se selecciona Eco Mode (Modo Eco), la pantalla se apagará por completo. La pantalla puede reactivarse tocando cualquier punto de la misma o presionando la paleta de agua o hielo.

Favorites (Favoritos)

La característica Favorites (Favoritos) almacena las cantidades de agua que se prefiere despachar.

Regional

Ajuste las preferencias regionales.

- **Language (Idioma):** El usuario podrá elegir entre 21 idiomas.
- **Temperature Units (Unidades de temperatura):** Fahrenheit y Celsius

Información

- **Service and Support (Servicio y asistencia):** Muestra el número de modelo, los datos de contacto de asistencia al cliente y diagnósticos.
- **Demo Mode (Modo de Demostración):** Seleccione Store Demo Mode (Guardar Modo de Demostración) para activar o desactivar la demostración.

Para obtener más información, consulte la sección “Uso de los Controles”.

Cómo Ver y Regular los Puntos de Ajuste de Temperatura

Para su comodidad, los controles de su refrigerador y congelador vienen prefijados de fábrica.

Cuando instale el refrigerador por primera vez, asegúrese de que los controles sigan fijados en los puntos de ajuste recomendados. Los puntos de ajuste recomendados de fábrica son 37 °F (3 °C) para el refrigerador y 0 °F (-18 °C) para el congelador, así como 0 °F (-18 °C) para el compartimento convertible.

IMPORTANTE:

- Espere 24 horas antes de colocar alimentos en el refrigerador. Si agrega alimentos antes de que el refrigerador se haya enfriado por completo, podrían echarse a perder.

NOTA: El poner los puntos de ajuste un ajuste más frío que el recomendado, no hará que los compartimientos se enfrién más rápido.

- Si la temperatura está demasiado elevada o demasiado baja en el refrigerador o en el congelador, antes de regular los controles, revise primero los orificios de ventilación para cerciorarse de que no estén obstruidos.
 - Los ajustes recomendados deben ser los correctos para un uso doméstico normal. Los controles están ajustados correctamente cuando la leche o los jugos están tan fríos como desea y cuando el helado tiene consistencia firme.
- NOTA:** Los lugares como un garaje, un sótano o un porche pueden tener mayor humedad o temperaturas extremas. Tal vez deba regular la temperatura a ajustes diferentes de los recomendados para adaptarse a estas condiciones.
- Espere al menos 24 horas entre ajustes. Vuelva a verificar las temperaturas antes de hacer otros ajustes.

Ver y Cambiar los Puntos de Ajuste de Temperatura

1. El ajuste de la temperatura está disponible en **Cooling Functions > Temperatures (Funciones de refrigeración > Temperaturas)**.
2. Podrá ver o regular: Refrigerador, congelador y compartimento convertible.

Temperatura Recomendada del Refrigerador



Temperatura recomendada del congelador



Regule los Puntos de Ajuste de Temperatura

Rango de puntos de ajuste del refrigerador: 33 °F a 42 °F (0,5 °C a 5,5 °C)

Rango de puntos de ajuste del congelador: -5 °F a 5 °F (-21 °C a -15 °C)

Quando regule los puntos de ajuste de la temperatura, utilice el siguiente cuadro como guía:

| CONDICIÓN: | REGULACIÓN DE LA TEMPERATURA: |
|---------------------------------|--|
| Refrigerador demasiado frío | Refrigerador, 1 punto de ajuste más alto |
| Refrigerador demasiado templado | Refrigerador, 1 punto de ajuste más bajo |
| Congelador demasiado frío | Congelador, 1 punto de ajuste más alto |
| Congelador demasiado templado | Congelador, 1 punto de ajuste más bajo |

Más modos

Fast Freeze (Congelamiento rápido)

La función Fast Freeze (Congelamiento rápido) aumenta la refrigeración durante aproximadamente 50 horas. La duración varía según el modelo.

Para activar Fast Freeze (Congelamiento rápido), vaya a la sección **Fast Freeze (Congelamiento rápido)** en **Cooling Functions (Funciones de refrigeración)**. Al encenderlo, el compartimiento del congelador se enfriará más rápido de lo normal.

Cuando esté activado, el icono de Fast Freeze (Congelamiento Rápido) se mostrará en la pantalla del reloj, y mostrará cuánto tiempo queda antes de que se desactive Fast Freeze (Congelamiento Rápido). Si pulsa el icono, accederá a la pantalla Fast Freeze (Congelamiento Rápido), donde podrá desactivar la función.

Para desactivar Fast Freeze (Congelamiento Rápido), vaya a la sección **Fast Freeze (Congelamiento Rápido)** en **Cooling Functions (Funciones de Refrigeración)**. Si ajusta la temperatura del congelador, la característica Fast Freeze (Congelamiento Rápido) se desactivará automáticamente.

NOTA: Si ajusta el congelador en una temperatura más baja, es posible que algunos alimentos, como el helado, queden más duros.

Fast Cool (Enfriamiento rápido)

La característica Fast Cool (Enfriamiento Rápido) ayuda en los períodos de alto uso del refrigerador, cargas completas de comestibles o temperaturas ambientales temporalmente elevadas. Esta función estará activada durante aproximadamente 2 horas. La duración varía según el modelo.

- Para activar Fast Cool (Enfriamiento rápido), vaya a la sección **Fast Cool (Enfriamiento rápido)** en **Cooling Functions (Funciones de refrigeración)**. Al encenderlo, el compartimiento del refrigerador se enfriará más rápido de lo normal.
- Cuando esté activado, el icono de Fast Cool (Enfriamiento Rápido) se mostrará en la pantalla del reloj, y mostrará cuánto tiempo queda antes de que se desactive Fast Freeze (Congelamiento Rápido).
- Si pulsa el icono, accederá a la pantalla Fast Cool (Enfriamiento Rápido), donde podrá desactivar la función.

- Para desactivar Fast Cool (Enfriamiento rápido), vaya a la sección **Fast Cool (Enfriamiento Rápido)** en **Cooling Functions (Funciones de Refrigeración)**. Si se regula la temperatura del refrigerador, la característica Fast Cool (Enfriamiento Rápido) se apagará automáticamente.

NOTA: Si ajusta el congelador en una temperatura más baja, es posible que algunos alimentos, como el helado, queden más duros.

Water Filter Reset (Restablecimiento del filtro de agua)

Muestra el estado del filtro de agua.

NOTA: Durante el despacho, la interfaz de usuario informará al usuario de cuándo es el momento de cambiar el filtro de agua.

Para cambiar un filtro, vaya a Tools > Water Filter (Herramientas > Filtro de agua).

Para restablecer el filtro:

1. Seleccione INSTALL NEW (INSTALAR NUEVO) y siga las instrucciones en pantalla para restablecer.
2. Siga las instrucciones de la sección "Filters and Accessories" (Filtros y accesorios) para comprar un filtro.

Función No Freezer Burn (Sin Quemaduras por Congelado)

Esta característica minimiza la migración de humedad desde los alimentos congelados. Esta función enfriará menos el compartimiento del congelador antes del descongelamiento para reducir la variación de temperatura. Esta función se activará durante un máximo de 2 horas antes del descongelamiento.

Vacation Mode (Modo de vacaciones)

Mientras esté en Vacation Mode (Modo de Vacaciones), el compartimiento del refrigerador funcionará de forma más eficiente para ahorrar energía mientras esté fuera. Si se ajusta la temperatura del refrigerador, Vacation Mode (Modo de Vacaciones) se apagará automáticamente. Al seleccionar esta función, la temperatura del compartimiento de alimentos frescos se ajustará automáticamente a una temperatura más fría. Esta función no es aplicable al congelador ni a los compartimientos de temperatura variable.

Una alerta de puerta entreabierta desactivará automáticamente la función de Holiday Mode (Modo de vacaciones).

IMPORTANTE: Cuando Vacation Mode (Modo de Vacaciones) está activado, el despacho de agua y hielo está desactivado.

NOTA: El usuario puede optar por desactivar la refrigeración poniendo el refrigerador en Demo mode (modo de Demostración).

Para obtener más información, consulte la sección "Uso de los controles".

Alarma Door Ajar (Puerta Entreabierta)

La alarma Door Ajar (Puerta Entreabierta) hace sonar una alarma cuando las puertas del refrigerador o el cajón del congelador permanecen abiertas durante 5 minutos y está activado el enfriamiento. La alarma se repetirá cada 2 minutos. Cierre todas las puertas para apagarla.

Special Occasions (Ocasiones especiales)

Activará temporalmente Fast Cool (Enfriamiento Rápido) para disminuir la temperatura de su refrigerador y enfriar rápidamente los nuevos alimentos.

Al celebrar una fiesta

Activará temporalmente Fast Freeze (Congelamiento Rápido) y Fast Cool (Enfriamiento Rápido) para ayudar a bajar la temperatura de sus refrigeradores cuando abra la puerta con frecuencia.

Marinado de carne

Permite que el usuario inicie un temporizador para hacer el seguimiento del marinado de carnes. El usuario puede seleccionar el temporizador según las recomendaciones que aparezcan en pantalla.

Enfriado de bebidas en el congelador

Ajusta un temporizador de 25 minutos para que el usuario no olvide bebidas en el congelador.

Limpieza del interior del refrigerador

Desactiva temporalmente las características de enfriamiento y puerta entreabierta durante 30 minutos para permitir que el usuario limpie el refrigerador.

Iluminación del refrigerador

El refrigerador tiene una luz interior que se enciende cada vez que se abre la puerta.

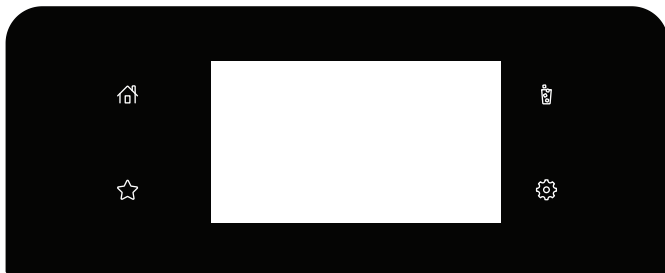
NOTA: Si el LED no se ilumina cuando se abre la puerta, llame al servicio técnico para que reemplacen la luz.

Iconos

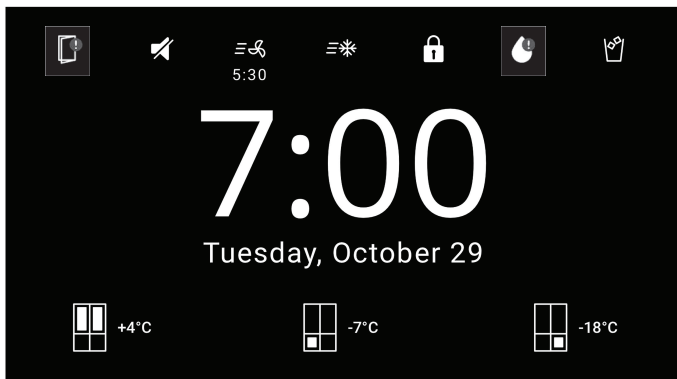
La pantalla del reloj también muestra iconos de estado. Al tocar estos iconos también se navega hasta el ajuste respectivo.

Para ajustar Display Mode (Modo de Visualización), el usuario deberá navegar hasta la sección Display Settings (Ajustes de Pantalla), dentro de Preferences (Preferencias).

Display Mode (Modo de Visualización): Eco Mode (Modo Eco)



Display Mode (Modo de Visualización): Clock Screen (Pantalla del Reloj)



Control Lock
(Bloqueo de
Controles)



Mute
(Silencio)



Door Open
(Puerta
Abierta)



Crushed Ice/
Cubed Ice
(Hielo
Picado/
Cubos de
Hielo)



Fast Cool
Enabled
(Enfriamiento
Rápido
Activado)



Water Filter
Overdue
(Filtro de
Agua
Vencido)



Fast Ice
Enabled
(Hielo Rápido
Activado)



Convertible
compartment
(Comparti-
mento
Convertible)



Refrigerator
compartment
(Comparti-
mento del
Refrigerador)

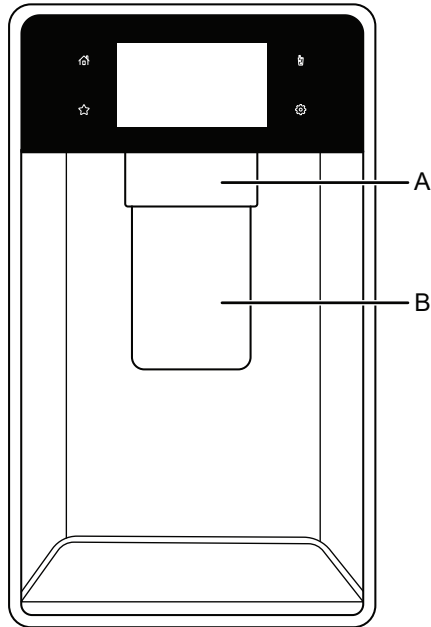


Freezer
compartment
(Comparti-
mento del
Congelador)

Despachadores de agua y hielo

IMPORTANTE:

- Espere 3 horas para que el refrigerador se enfríe y pueda enfriar el agua.
- Deje transcurrir 24 horas para la producción del primer lote de hielo. Deseche los tres primeros lotes de hielo producidos.
- El sistema despachador no funcionará cuando la puerta del lado izquierdo del refrigerador esté abierta.



A. Paleta del despachador de agua
B. Paleta del despachador de hielo

Enjuague el sistema de agua

El aire en el sistema de despacho de agua puede hacer que gotee agua del despachador. Después de conectar el refrigerador a un suministro de agua o de reemplazar el filtro de agua, enjuague el sistema de agua.

Al enjuagar el sistema de despacho de agua, se extrae el aire de la línea de agua y del filtro, y se prepara el filtro de agua para el uso. En algunas casas se puede necesitar un enjuague adicional.

NOTA: A medida que sale aire del sistema, es posible que salgan chorros de agua repentinos del despachador.

1. Con un recipiente resistente, mantenga presionada la paleta del despachador de agua durante 5 segundos.
2. Suelte la paleta del dosificador durante 5 segundos. Repita los pasos 1 y 2 hasta que comience a salir agua.
3. Una vez que el agua haya comenzado a correr, continúe presionando y soltando la almohadilla despachadora (5 segundos activado, 5 segundos desactivado) hasta servir un total de 3 galones (12 L).

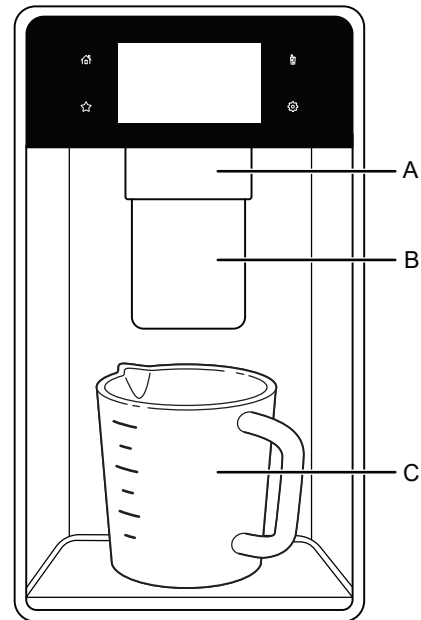
Calibración del despacho

La presión del agua doméstica puede afectar la exactitud de la función Measured Fill (Llenado Medido). Por lo tanto, para un desempeño óptimo de su despachador de agua, deberá primero calibrar Measured Fill (Llenado Medido).

IMPORTANTE:

- Enjuague el sistema de agua antes de calibrar la función Measured Fill (Llenado Medido).
 - Para obtener resultados óptimos, la calibración debe realizarse cuando no se esté utilizando agua en la casa.
1. Coloque una taza medidora resistente (tamaño de una taza [0,2 L]) sobre la bandeja del despachador, centrada delante de la paleta despachadora de hielo/agua.

NOTA: Según el modelo, es posible que se provea una taza medidora.



A. Paleta del despachador de agua
B. Paleta del despachador de hielo
C. Taza medidora (1 taza)

Asegúrese de que no haya seleccionado un ajuste previo de Measured Fill (Llenado Medido).

2. Para calibrar el agua, vaya a la sección **Dispensing Calibration (Calibración del despacho)** en **Tools/Setup (Herramientas/Configuración)**. El usuario también puede acceder a la calibración durante la secuencia de desembalaje al encender el producto por primera vez.
3. Mantenga presionada la paleta del despachador de agua, según sea necesario, para despachar agua hasta la línea de llenado de 1 taza en la taza medidora.
NOTA: Si se llena en exceso o se derrama, deseche el agua y reinicie el proceso de calibración.
4. Cuando se haya despachado correctamente 1 taza de agua en la taza medidora, toque OK para confirmar la calibración.

Despachar

Toque CUBED ICE (CUBOS DE HIELO) o CRUSHED ICE (HIELO PICADO) para seleccionar el hielo.

NOTAS:

- Para obtener hielo picado, los cubos de hielo se trituran antes de despacharse. Esto puede retrasar un poco el despacho del hielo picado. El ruido proveniente del triturador de hielo es normal y los trozos de hielo pueden variar en tamaño.
- Cuando cambie de hielo picado a hielo en cubos, caerá un poco de hielo picado junto con los primeros cubos.

Despacho de agua

IMPORTANTE:

- Despache por lo menos 1 cuarto de galón (1 L) de agua cada semana para mantener un suministro fresco.
- Si disminuye el flujo de agua del despachador, podría deberse a baja presión de agua.
 - Retire el filtro de agua y despache 1 taza (0,2 L) de agua. Si se despacha 1 taza (0,2 L) de agua en 8 segundos o menos, la presión de agua al refrigerador satisface el requisito mínimo.
 - Si el despacho de 1 taza (0,2 L) de agua demora más de 8 segundos, significa que la presión de agua al refrigerador es más baja que lo recomendado. Consulte "Requisitos de Suministro de Agua" y "Solución de Problemas" para buscar sugerencias.

Para despachar agua (estándar):

1. Presione un vaso resistente contra la paleta del despachador de agua.
2. Retire el vaso para detener el despacho.

Para despachar agua - Llenado Medido:

La función Measured Fill (Llenado Medido) le permite despachar una cantidad de agua determinada con solo tocar unos botones.

1. Coloque un vaso resistente debajo el pico de agua. Toque MEASURED FILL (LLENADO MEDIDO) para activar la función.

NOTA: Se despachará la cantidad de agua que haya seleccionado. Asegúrese de que el recipiente pueda contener todo el volumen. Si hay hielo en el recipiente, es posible que deba ajustar su selección.

2. Toque DISPENSE (DESPACHAR) o presione la paleta y se despachará la cantidad de agua seleccionada.

NOTA: La mayoría de las tazas de café (generalmente de 4 a 6 oz [118 ml a 177 ml] por taza) no tienen el mismo tamaño que una taza medidora (8 oz [0,2 L]). Es posible que se deba ajustar la función Measured Fill (Llenado Medido) para llenar menos o para evitar el derrame accidental de las tazas de café.

3. Despache agua.

NOTA: Mientras se despacha agua, el flujo se detendrá automáticamente una vez que el volumen deseado haya salido.

- Presione con un vaso resistente contra la paleta del despachador debajo del pico de agua.

O BIEN

- Coloque el vaso debajo del pico de agua y toque DISPENSE WATER (DESPACHAR AGUA) para despachar sin usar las manos.

4. Para hacer una pausa en el despacho antes de que se haya despachado el volumen seleccionado, presione el botón pause (pausa) en la pantalla.

NOTA: Si detiene el despacho antes de que se haya despachado el volumen seleccionado, la pantalla se apagará después de 1 minuto. Si no ha reanudado en este tiempo, se restablecerá a la cantidad original.

Fábrica de hielo y recipiente de almacenamiento

IMPORTANTE: Para evitar una baja producción de hielo y hielo de calidad deficiente, enjuague el sistema de agua antes de encender la fábrica de hielo. Consulte la sección "Despachador de agua".

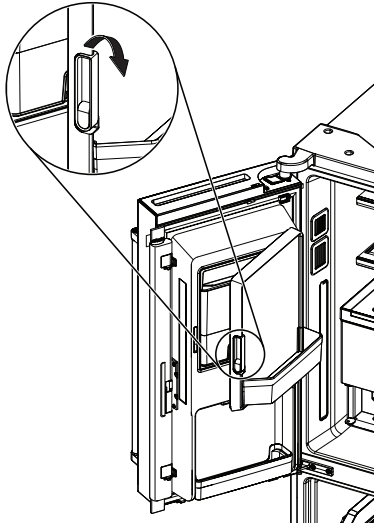
- Luego de la instalación, espere 24 horas para la producción del primer lote de hielo. Deseche los tres primeros lotes de hielo producidos. Espere 2 a 3 días para volver a llenar el recipiente de almacenamiento de hielo.
- La calidad del hielo dependerá de la calidad del agua que suministre a su fábrica de hielo. Evite la conexión de la fábrica de hielo a un suministro de agua ablandada. Las sustancias químicas utilizadas para ablandar el agua (como la sal) pueden dañar componentes de la fábrica de hielo y producir hielo de calidad deficiente. Si no se puede evitar el uso de un suministro de agua ablandada, asegúrese de que el ablandador de agua esté funcionando correctamente y que reciba un buen mantenimiento.
- Si el hielo se aglomera en el depósito, rómpalo con un utensilio plástico y deséchelo. No use ningún instrumento afilado para romper el hielo. Esto puede dañar el depósito y el mecanismo de despacho.
- No guarde nada dentro del depósito de hielo.

Estilo 1 - Fábrica de hielo en el refrigerador

La fábrica de hielo está en la puerta izquierda detrás de los recipientes. Los cubos de hielo se expulsan dentro del recipiente de almacenamiento de hielo que está en la puerta del lado izquierdo del refrigerador.

Cómo retirar y volver a colocar el depósito de almacenamiento de hielo

Para abrir la caja de la fábrica de hielo, presione la palanca de la puerta de la fábrica de hielo hasta que se abra la puerta.



- Quite el recipiente de almacenamiento de hielo colocando los dedos dentro del orificio que está en la base del recipiente de almacenamiento y tirando del seguro de liberación del recipiente del compartimiento. Levante el recipiente de almacenamiento de hielo y jálalo directamente hacia afuera.
- Vuelva a colocar el recipiente de almacenamiento dentro del compartimiento de hielo y empujelo hacia abajo para asegurarse de que esté seguro en su lugar.

Ritmo de producción de hielo

- La fábrica de hielo debe producir aproximadamente 3,5 lb (1,6 kg) de hielo por día con un funcionamiento normal.

Encender y apagar la fábrica de hielo

- Para encender la fábrica de hielo, vaya a la sección **Ice maker (Fábrica de Hielo)** en **Tools/Setup (Herramientas/Configuración)**.
- Para apagar la fábrica de hielo, vaya a la sección **Ice maker (Fábrica de hielo)** en **Tools/Setup (Herramientas/Configuración)**.

NOTA:

- La fábrica de hielo tiene apagado automático. El sensor detendrá automáticamente la producción de hielo si el depósito de hielo está lleno o si se abre la puerta. El control permanecerá en la posición On (Encendido).

ESTANTES, DEPÓSITOS Y CAJONES

Estantes y Marcos de Estantes

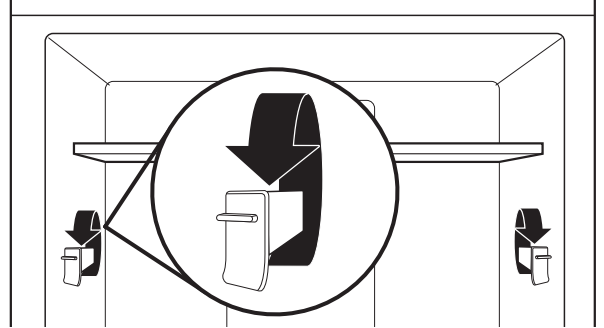
Los estantes de su refrigerador son ajustables para satisfacer sus necesidades individuales de almacenamiento.

Si se guardan alimentos similares juntos en el refrigerador y se ajustan los estantes para que se adapten a las diferentes alturas de los artículos, será más fácil encontrar exactamente el artículo que se desea. Asimismo, se reducirá el tiempo que la puerta del refrigerador permanece abierta y se ahorrará energía.

Ajuste de la Altura de los Estantes

Para ajustar la altura de los estantes se pueden cambiar los montantes ajustables de los estantes entre las posiciones vertical y horizontal.

1. Levante con cuidado el estante fuera de los montantes y gire la aleta a la orientación deseada.
2. Repita con los montantes de los estantes restantes.
3. Aplique presión a la parte superior del estante para asegurarse de que esté debidamente asentado sobre los montantes.



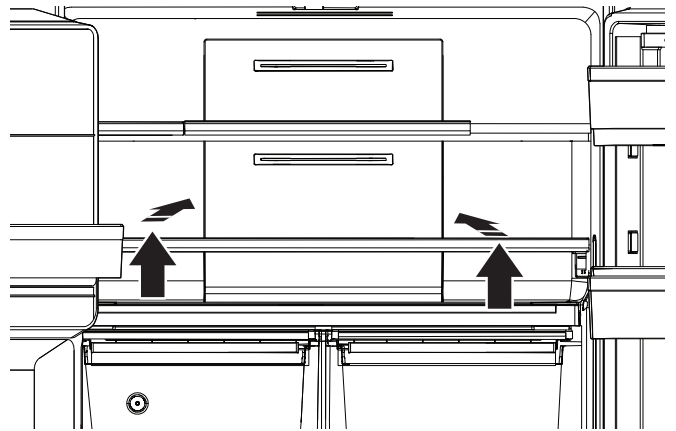
NOTA:

- Deberá quitar el estante del medio primero antes de quitar el superior.
4. Para quitar el estante inferior, levántelo y retírelo de los soportes. Después, tire del estante hacia adelante e inclínelo hacia arriba hasta una posición vertical. Gire el estante en un ángulo y retírelo del refrigerador.
 5. Para volver a colocar el estante inferior, coloque el estante en el refrigerador en un ángulo con el estante hacia arriba. Levante el frente del estante hacia abajo y hacia adentro hasta el estante trasero caiga dentro de los soportes. Baje la parte delantera del estante y asegúrese de que el estante está en su posición.

Estante Dividido Deslizable

Algunos estantes se pueden apartar para crear espacio para objetos más altos.

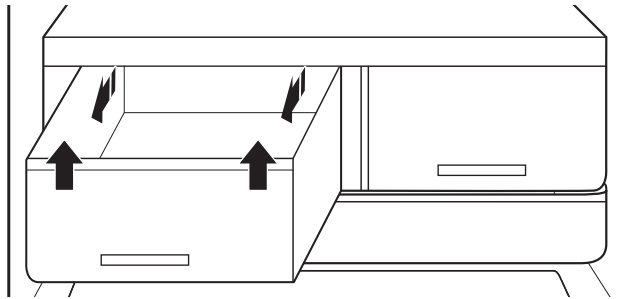
1. Para retraer la sección delantera del estante, empuje la porción ajustable del estante hacia la parte trasera del refrigerador tanto como sea necesario.
2. Para extender el vidrio delantero y el borde delantero del estante, jale la porción replegada hacia fuera hasta que quede extendida por completo.



Cajones para Verduras

Para Quitar y Volver a Colocar los Cajones:

1. Sujete la manija de la parte inferior del cajón y deslice el cajón y tire recto hacia afuera hasta el tope. Levante el cajón fuera de la guía inferior.
2. Para volver a colocar el cajón, colóquelo en la guía del cajón inferior y empuje más allá del tope del cajón hasta su posición.

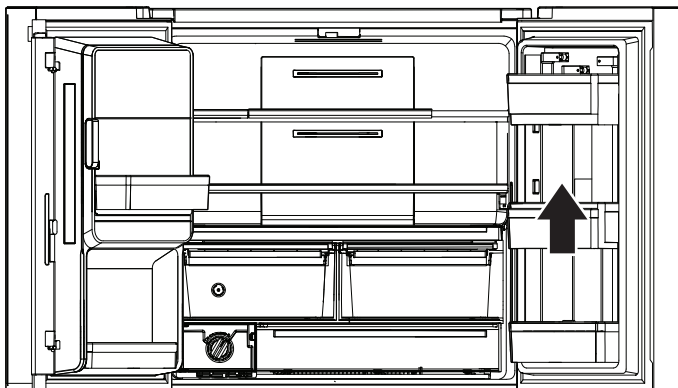


Recipientes de la Puerta del Refrigerador

Los cajones de la puerta del refrigerador son ajustables para adaptarlos a las necesidades de almacenamiento individuales. Los cajones hacen que sea más fácil configurar a la medida el almacenamiento de la puerta para mantener contenedores de un galón.

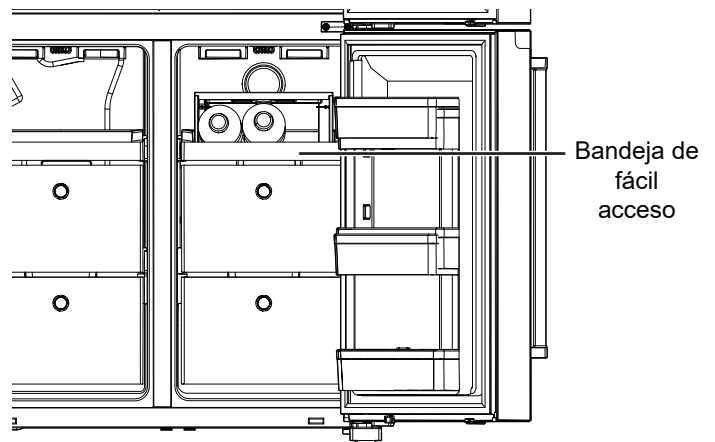
Divisor de Cajones de la Puerta (en algunos modelos)

Este divisor encaja en el cajón de la puerta para dividirlo y para elevar los artículos más pequeños en la parte trasera del cajón.



Compartimientos de almacenamiento del congelador

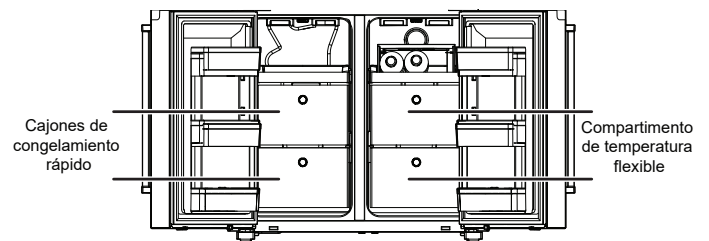
Bandeja de fácil acceso



La bandeja de fácil acceso es útil para acceder fácilmente a los productos que se usan con frecuencia, congelar o simplemente dejar restos de comida o elementos pequeños.

Cajones del Congelador

Los depósitos de la puerta del congelador son extraíbles para adaptarlos a las necesidades de almacenamiento individuales.



Para mayor capacidad en el congelador, puede retirar el cajón del congelador para exponer el estante.

Para sacar el cajón superior:

1. Sujete la manija del cajón, deslícelo y tire recto hacia afuera hasta el tope. Levante el cajón fuera de la guía inferior.
2. Vuelva a poner el cajón hasta que haga tope en su posición.

Compartimiento de Congelamiento Rápido

- Use estos cajones para congelar una mayor cantidad de alimentos frescos o cocidos (de una manera mejor y más rápida).
- El compartimento de congelamiento rápido le permite almacenar todos sus alimentos congelados de forma segura y transparente.

NOTA: La temperatura del congelador podría bajar más para alcanzar la misma temperatura del compartimento de Flexible Freezer (Congelador flexible), cuando el congelador se ajusta a una temperatura más templada que dicho compartimento.

Compartimento de temperatura flexible

- Use estos cajones para congelar una mayor cantidad de alimentos frescos o cocidos (de una manera mejor y más rápida).
- Use el compartimento de temperatura flexible para almacenar cualquier tipo de alimento en un entorno de conservación ideal. Ajustando la configuración puede utilizarse para almacenar vino (41 °F), refrigeración estándar (37 °F), carne y pescado (32 °F), congelación suave (19 °F) y congelación tradicional (-15 °F y menos).

Estante para vino

- Utilice estos estantes para almacenar y mantener refrigerado el vino.
- Ajuste la temperatura para almacenar el vino en el entorno ideal de conservación (41 °F).

CUIDADO DEL REFRIGERADOR

Limpeza

⚠ ADVERTENCIA



Peligro de explosión

Riesgo de incendio o explosión.

Presencia de refrigerante inflamable.

No use dispositivos mecánicos para descongelar el refrigerador.

No perforo el tubo de refrigerante.

Los compartimientos de refrigerador, congelador y Compartimento convertible se descongelan automáticamente. No obstante, limpie todas las secciones más o menos una vez al mes para evitar la acumulación de olores. Limpie los derrames inmediatamente.

Limpeza del Exterior

Vea la información relativa a la limpieza del exterior que sea específica para su modelo.

Acero Inoxidable Resistente a Huellas Dactilares

IMPORTANTE:

- Evite exponer los electrodomésticos de acero inoxidable a elementos cáusticos o corrosivos, como ambientes con altas concentraciones de sal, agua o humedad. La garantía no cubre los daños debidos a la exposición a estos elementos.

| USE | NO USE |
|---|---|
| <ul style="list-style-type: none">■ Paño suave y limpio | <ul style="list-style-type: none">■ Paños abrasivos■ Toallas de papel o papel de diario■ Estropajo de lana de acero |
| <ul style="list-style-type: none">■ Agua tibia jabonosa con un detergente suave | <ul style="list-style-type: none">■ Polvos o líquidos abrasivos■ Rociadores para ventana■ Amoniaco■ Limpiadores de base de ácido o vinagre■ Limpiadores para horno■ Líquidos inflamables |

NOTAS:

- Si se produce el contacto accidental, limpie la pieza plástica con una esponja y detergente suave en agua tibia. Seque meticulosamente con un paño suave.
- Evite exponer los electrodomésticos de acero inoxidable a elementos cáusticos o corrosivos, como ambientes con altas concentraciones de sal, agua o humedad. La garantía no cubre los daños debidos a la exposición a estos elementos.
- Solamente porque un producto de limpieza sea líquido no significa que no sea abrasivo. Muchos limpiadores líquidos formulados para tener una acción suave sobre las baldosas y las superficies lisas igualmente dañan el acero inoxidable.
- Cuando limpie el acero inoxidable, siempre hágalo en la dirección de la veta para evitar rayones.
- El ácido cítrico produce cambios permanentes en el color del acero inoxidable. Para evitar dañar el acabado del refrigerador de acero inoxidable:
No permita que estas sustancias permanezcan en el acabado:
 - Mostaza
 - Jugos de tomate
 - Salsa marinera
 - Salsas cítricas
 - Productos cítricos

Limpeza del Interior

IMPORTANTE: Los estantes del refrigerador con iluminación LED debajo del estante no son aptos para lavavajillas.

1. Desenchufe el refrigerador o desconecte el suministro de energía.
2. Lave a mano, enjuague y seque todas las partes desmontables y las superficies interiores meticulosamente. Use una esponja limpia o un paño liso y un detergente suave en agua tibia.

NOTA: No use en las partes de plástico, los revestimientos interiores o de la puerta o las juntas productos de limpieza abrasivos o fuertes, como aerosoles para ventanas, productos de limpieza para pulir, líquidos inflamables, ceras para limpieza, detergentes concentrados, blanqueadores o productos de limpieza que contengan productos derivados de petróleo.

3. Enchufe el refrigerador o reconecte el suministro de energía.

Condensador

Este refrigerador cuenta con un condensador integrado en cada lado. Es normal que se sienta cálido en los lados.

Limpieza del Condensador

⚠ ADVERTENCIA



Peligro de explosión

Riesgo de incendio o explosión a causa de la perforación de la tubería del refrigerante.

Siga las instrucciones de manejo cuidadosamente.

Presencia de refrigerante inflamable.

No se necesita una limpieza rutinaria del condensador en ambientes de funcionamiento de casas normales. Si el ambiente es particularmente grasoso o polvoriento, o si hay un tránsito importante de mascotas en el hogar, el condensador deberá limpiarse cada 6 meses para asegurar la máxima eficiencia.

1. Desenchufe el refrigerador o desconecte el suministro de energía.
2. Quite la rejilla de la base.
3. Use una aspiradora con un cepillo suave para limpiar la rejilla, las zonas abiertas detrás de la rejilla y la superficie frontal del condensador.
4. Vuelva a colocar la rejilla de la base cuando termine.
5. Enchufe el refrigerador o reconecte el suministro de energía.

NOTA: Si no puede limpiar el condensador, llame para pedir servicio técnico.

Luces

Las luces de los compartimientos para alimentos frescos y del congelador son LED. Si las luces no se encienden cuando se abre la puerta, contacte al distribuidor que le vendió el refrigerador.

Cuidado durante las vacaciones y mudanzas

Días festivos

Si decide dejar el refrigerador encendido mientras está ausente:

1. Use todos los artículos perecederos y congele el resto.
2. Si el refrigerador tiene una fábrica de hielo automática y está conectado al suministro de agua de la casa, cierre el suministro de agua al refrigerador. Si no se cierra el suministro de agua, pueden producirse daños a la propiedad.
3. Si tiene una fábrica de hielo automática, apáguela.
 - Presione el interruptor para apagar (O) la fábrica de hielo de la puerta.
4. Vacíe el depósito de hielo.

Si decide apagar el refrigerador antes de irse:

NOTA: Ponga el refrigerador en Demo Mode (Modo de Demostración) mientras está de vacaciones. Consulte la sección "Uso de los controles".

1. Saque toda la comida del refrigerador.
2. Si el refrigerador tiene fábrica de hielo automática:
 - Cierre el suministro de agua a la fábrica de hielo por lo menos un día antes.
 - Cuando caiga la última carga de hielo, presione el interruptor hasta Apagado (O) para que se apague la pantalla en la parte superior del interior del refrigerador, según el modelo.
3. Vacíe el depósito de hielo.
4. Apague los controles de temperatura. Consulte la sección "Uso de los controles".
5. Limpie el refrigerador, pásele un paño y séquelo bien.
6. Fije bloques de goma o de madera con cinta adhesiva en la parte superior de ambas puertas para que queden abiertas y el aire circule. Esto evita que se formen olores y que crezcan hongos.

Mudanza

Si va a mudar el refrigerador a una casa nueva, siga estos pasos para prepararlo para la mudanza.

1. Si el refrigerador tiene fábrica de hielo automática:
 - Cierre el suministro de agua a la fábrica de hielo por lo menos un día antes.
 - Desconecte la línea de agua de atrás del refrigerador.
 - Cuando caiga el último lote de hielo, levante el brazo de control de alambre a la posición OFF (Apagado, hacia arriba) o presione el interruptor a la posición OFF (Apagado), según su modelo.
2. Saque toda la comida del refrigerador y empaque todos los alimentos congelados en hielo seco.
3. Vacíe el depósito de hielo.
4. Desenchufe el refrigerador.
5. Limpie, enjuague y seque meticulosamente.
6. Retire todas las piezas desmontables, envuélvalas bien y asegúrelas con cinta adhesiva para que no se sacudan durante la mudanza.
7. Según el modelo, levante la parte delantera del refrigerador para que ruede con facilidad, o bien, levante las patas niveladoras para no rayar el suelo. Consulte las secciones "Para regular las puertas" o "Nivelación del refrigerador" y "Cómo cerrar las puertas".
8. Pegue las puertas cerradas y pegue el cable a la parte posterior del refrigerador con cinta adhesiva.

Cuando llegue a su casa nueva, ponga todo de nuevo en su sitio y consulte la sección "Instrucciones de instalación" para obtener instrucciones de preparación. Además, si el refrigerador tiene una fábrica de hielo automática, recuerde volver a conectar el suministro de agua al refrigerador.

HOJA DE DATOS DE RENDIMIENTO

Sistema de filtración de agua

Modelo P9WB2L/ P9RFWB2L/ EDR2RXD1 Capacidad de 200 galones (757 litros)



Sistema probado y certificado por NSF International, según las normas NSF/ANSI Estándar 42, Estándar 53 y Estándar 401 y CSA B483.1 para la reducción de los contaminantes especificados en la Hoja de datos de rendimiento.

Este sistema ha sido probado según las normas NSF/ANSI 42, 53, 401 y CSA B483.1 para la reducción de las sustancias enumeradas a continuación. La concentración de las sustancias indicadas en el agua que ingresa al sistema se redujo a una concentración inferior o igual al límite permitido para el agua que sale del sistema, tal como se especifica en las normas NSF/ANSI 42, 53, 401 y CSA B483.1. Este sistema ha sido probado de acuerdo con el decreto ministerial n.º 174, el artículo 9 del decreto legislativo n.º 31 de 2001, el reglamento (CE) n.º 1935/2004, WRAS BS6920 y ACS Circulaire 2002/571.

| Efectos estéticos de la reducción de sustancias | Concentración en el Agua a Tratar | Concentración de nivel máximo permisible de agua en el producto | % promedio de reducción |
|---|--|---|-------------------------|
| Partículas de sabor u olor a cloro clase I* | 2,0 mg/L ± 10% Por lo menos 10.000 partículas/ml | 50% de reducción; 85% de reducción | >97,4% 99,3% |

| Reducción de contaminantes | Concentración en el Agua a Tratar | Concentración de nivel máximo permisible de agua en el producto | % promedio de reducción |
|----------------------------|--|---|-------------------------|
| Plomo: a pH 6,5 / a pH 8,5 | 0,150 mg/L ± 10% | 0,010 mg/L | >99,3%/98,6% |
| Benceno | 0,015 mg/L ± 10% | 0,005 mg/L | 96,0% |
| P-Diclorobenceno | 0,225 mg/L ± 10% | 0,075 mg/L | >99,8% |
| Carbofurano | 0,080 mg/l ± 10% | 0,040 mg/L | 91,9% |
| Toxafeno | 0,015 mg/L ± 10% | 0,003 mg/L | 93,3% |
| Atrazina | 0,009 mg/L ± 10% | 0,003 mg/L | 92,4% |
| Asbesto | 10 ⁷ a 10 ⁸ fibras/L†† | >99% | >99% |
| Asbesto | 50.000/L mínimo | 99,95% | >99,99% |
| Quistes vivos† | 11 NTU ± 10% | 0,5 NTU | 99,0% |
| Lindano | 0,002 mg/L ± 10% | 0,0002 mg/L | >98,9% |
| Tetracloroetileno | 0,015 mg/L ± 10% | 0,005 mg/L | >96,6% |
| o-Diclorobenceno | 1,8 mg/L ± 10% | 0,6 mg/L | >99,9% |
| Etilbenceno | 2,1 mg/L ± 10% | 0,7 mg/L | 99,4% |
| 1,2,4-Triclorobenceno | 0,210 mg/L ± 10% | 0,07 mg/L | >99,8% |
| 2,4 - D | 0,210 mg/L ± 10% | 0,07 mg/L | 93,8% |
| Estireno | 2,0 mg/L ± 10% | 0,1 mg/L | 99,8% |
| Tolueno | 3,0 mg/L ± 10% | 1,0 mg/L | 87,9% |
| Endrina | 0,006 mg/L ± 10% | 0,002 mg/L | >96,6% |
| Atenolol | 200 ± 20% | 30 ng/L | >95,9% |
| Trimetoprima | 140 ± 20% | 20 ng/L | >96,9% |
| Linuron | 140 ± 20% | 20 ng/L | >96,4% |
| Estrona | 140 ± 20% | 20 ng/L | >97,0% |
| Nonilfenol | 1400 ± 20% | 200 ng/L | >97,4% |
| Carbamazepina | 1400 ± 20% | 200 ng/L | >97,9% |

| Reducción de contaminantes | Concentración en el Agua a Tratar | Concentración de nivel máximo permisible de agua en el producto | % promedio de reducción |
|----------------------------|-----------------------------------|---|-------------------------|
| Fenitoína | 200 ± 20% | 30 ng/L | 93,8% |
| Naproxeno | 140 ± 20% | 20 ng/L | 96,1% |
| Bisfenol A | 2000 ± 20% | 300 ng/L | >99,2% |

Parámetros de la prueba: pH = 7,5 ± 0,5, a menos que se indique otro valor. Flujo = 0,6 gpm (2,27 Lpm). Presión = 60 psig (413,7 kPa). Temperatura = 68 °F a 71,6 °F (20 °C a 22 °C). Capacidad de servicio nominal = 200 galones (757 litros).

Los compuestos certificados según NSF 401 se han considerado “compuestos emergentes o contaminantes incidentales”. Compuestos emergentes/contaminantes incidentales que se detectaron en suministros de agua potable en niveles detectables. Aunque solo se presentan en niveles de traza, estos compuestos pueden afectar la aceptación o percepción pública de la calidad del agua potable.

- Es esencial que se lleven a cabo los requisitos de operación, mantenimiento y reemplazo del filtro para que el producto se desempeñe tal como se publicita. Pueden ocurrir daños a la propiedad si no se siguen todas las instrucciones.
- El cartucho desechable deberá cambiarse al menos cada 6 meses.
- Use el número de pieza de repuesto EDR4RXD1/EDR4RXD1B. El precio sugerido de venta al por menor durante el año 2015 es de \$49,99 en EE. UU./\$49,99 en Canadá. Los precios están sujetos a cambio sin previo aviso.
- El sistema de monitoreo del filtro mide la cantidad de agua que atraviesa el filtro y emite una alerta cuando llega el momento de cambiarlo. Consulte la sección “Uso de los controles” o “Sistema de filtración de agua” (en las Instrucciones del usuario o Guía de usuario) para averiguar cómo revisar el estado del filtro del agua.
- Después de cambiar el filtro de agua, enjuague el sistema de agua. Vea “Despachadores de agua y de hielo” o “Despachador de agua” en las Instrucciones del usuario o el Manual del usuario.
- Estos contaminantes no se encuentran necesariamente en su suministro de agua. Si bien las pruebas se realizaron bajo condiciones de laboratorio estándar, el rendimiento real puede variar.
- El producto es para su uso solo con agua fría.
- El sistema de agua deberá instalarse conforme a las leyes y normativas estatales y locales.
- No use con agua que no sea microbiológicamente segura o que sea de calidad desconocida sin desinfectarla adecuadamente antes o después del sistema. Pueden usarse sistemas certificados para la reducción de partículas en aguas desinfectadas que puedan contener partículas filtrables. EPA Est. N.º 082047-TWN-001
- Consulte la sección “Garantía” (en las Instrucciones del usuario o el Manual del usuario) para ver la garantía limitada, el nombre y el número de teléfono del fabricante.
- El refrigerador, cuando despacha agua, actúa como equipo de tratamiento de agua potable.
- Este equipo requiere un mantenimiento periódico normal para garantizar los requisitos de tratamiento del agua potable y el mantenimiento de las mejoras cada 6 meses.

* Tamaño de las partículas clase I: >0,5 a 1 um

† Con base en el uso de Oocistos *Cryptosporidium parvum*

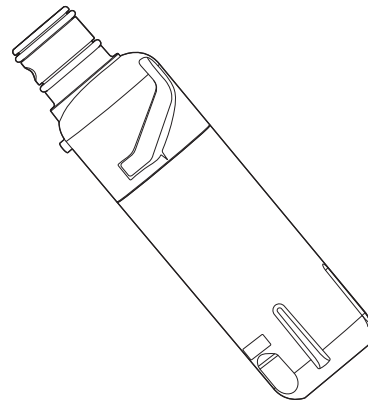
†† Fibras mayores de 10 um de longitud

©NSF es una marca registrada de NSF International.

Normas de aplicación/Parámetros para el suministro de agua

| | |
|---------------------------|--|
| Suministro de agua | Potable, municipal o de pozo |
| Presión de agua | 30 psi-120 psi (207 kPa-827 kPa) |
| Temperatura del agua | 33 °F-100 °F (0,6 °C-37,8 °C) |
| Flujo nominal de servicio | 0,6 GPM (2,27 L/min) a 60 psi (413,7 kPa) |

- Su sistema de filtración de agua soportará una presión de agua de hasta 120 libras por pulgada cuadrada (psi). Si el suministro de agua es superior a 80 psi, instale una válvula reductora de presión antes de instalar el sistema de filtrado de agua.



©2024 All rights reserved. Used under license in Canada.

Tous droits réservés. Utilisé sous licence au Canada.

Todos los derechos reservados. Se usa bajo licencia en Canadá.