



Stainless Steel
KODE900HSS

Capacity

Oven	10.0 cu. ft.
------	--------------

General Features & Properties

+Steamer Attachment

+Baking Stone Attachment

Even-Heat™ True Convection Ovens

Recipe Guide mode for Powered Attachments

4.5" Full Color Glass-Touch LCD Display

Cook's Assistant Option

SatinGlide™ Roll-Out Extension Rack for Smart Oven+ Attachments (upper oven)

SatinGlide™ Roll-Out Extension Rack (lower oven)

FIT System

Electrical Details

Amps	40
------	----

Volts	240
-------	-----

Certifications

Connected/Smart Appliance	Yes
---------------------------	-----

Star-K Certified/Kosher	Yes
-------------------------	-----

Technical Details

Fuel Type	Electric
-----------	----------

Oven Type	Double
-----------	--------

Oven Cooking System	Convection
---------------------	------------

Number of Oven Racks	2 Each Oven
----------------------	-------------

Cleaning Type	Adjustable Self-Cleaning
---------------	--------------------------

Dimensions

Product Dimensions (H x W x D)	51-1/4" x 30" x 27-1/8"
--------------------------------	-------------------------

Depth with Door Open 90°	46-3/4"
--------------------------	---------

Cutout Dimensions (H x W x D)	50-1/4" x 28-1/2" x 27-1/8"
-------------------------------	-----------------------------

Reference Material

[Install Guide](#)

[Use & Care Guide](#)

[Warranty](#)

Key Features & Benefits

Smart Oven+ Powered Attachments

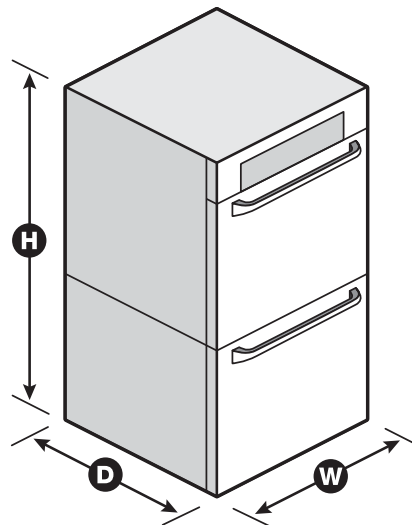
The first-ever collection of oven-powered grill, baking stone and steamer attachments. Each fits interchangeably into a provided heating element and base pan that connect onto the back of the oven cavity. You control the cooking process through the oven's controls or a mobile app to take on classic recipes and new culinary challenges.*

Smart Oven+ Mobile App Connectivity

Gives you control of your oven in or out of the kitchen. Use our mobile app to remotely monitor and control the oven, suggest when it's time to tend the food, or enter your own cooking instructions and save them for next time.**

+Grill Attachment

Allows true grilling year-round. It minimizes smoke and eliminates the flares common on outdoor grills, and its advanced design heats evenly from edge to edge.



*The base pan, heating element and grill are shipped with the oven. Connect, call or register to get baking stone and steamer by mail at no additional cost. **Appliance must be set to remote enable. WiFi & App required. Features subject to change. For details and privacy info, visit kitchenaid.com/connect. NOTE: Dimensions are for planning purposes only. For complete details, see Installation Instructions packed with product. Specifications subject to change without notice.