

INSTALLATION INSTRUCTIONS 30" (76.2 CM) ELECTRIC SINGLE AND DOUBLE BUILT-IN OVEN

INSTRUCTIONS D'INSTALLATION DES FOURS ENCASTRÉS SIMPLE ET DOUBLE DE 30 PO (76,2 CM)

Table of Contents/Table des matières

BUILT-IN OVEN SAFETY	2	SÉCURITÉ DU FOUR ENCASTRÉ	17
INSTALLATION REQUIREMENTS	2	EXIGENCES D'INSTALLATION	17
Tools and Parts.....	2	Outils et pièces.....	17
Location Requirements	3	Exigences d'emplacement.....	18
Electrical Requirements	6	Spécifications électriques.....	21
INSTALLATION INSTRUCTIONS	7	INSTRUCTIONS D'INSTALLATION	22
Prepare Built-In Oven.....	7	Préparer le four encastré.....	22
Remove Oven Door(s).....	7	Enlever la ou les portes du four	22
Replace Oven Door(s).....	8	Réinstaller la ou les portes du four	23
Positioning Oven Feet for Multiple Cabinet Cutout Heights	8	Positionner les pieds du four pour des ouvertures de découpe dans l'armoire	24
Make Electrical Connection	13	Raccordement électrique.....	28
Install Oven.....	14	Installer le four.....	30
Complete Installation	16	Terminer l'installation.....	32

IMPORTANT:

Save for local electrical inspector's use.

IMPORTANT :

À conserver pour consultation par l'inspecteur local des installations électriques.

BUILT-IN OVEN SAFETY

Your safety and the safety of others are very important.

We have provided many important safety messages in this manual and on your appliance. Always read and obey all safety messages.



This is the safety alert symbol.

This symbol alerts you to potential hazards that can kill or hurt you and others.

All safety messages will follow the safety alert symbol and either the word "DANGER" or "WARNING."

These words mean:

⚠ DANGER

You can be killed or seriously injured if you don't immediately follow instructions.

⚠ WARNING

You can be killed or seriously injured if you don't follow instructions.

All safety messages will tell you what the potential hazard is, tell you how to reduce the chance of injury, and tell you what can happen if the instructions are not followed.

INSTALLATION REQUIREMENTS

Tools and Parts

Gather the required tools and parts before starting installation. Read and follow the instructions provided with any tools listed here.

Tools Needed

- Phillips screwdriver
- Measuring tape
- Hand or electric drill (for wall cabinet installations)
- 1" (2.5 cm) drill bit (for wall cabinet installations)
- Level
- Flat-blade screwdriver

Parts Needed

- UL Listed or CSA Approved conduit connector
- UL Listed wire connectors
- Warming Drawer Deflector Kit (for ovens installed above a warming drawer)
Order Part Number W10536339 for stainless steel 30" 76.2 cm kit
Order Part Number W10727416 for black stainless steel 30" (76.2 cm) kit
To order, see the "Assistance or Service" section of the Use and Care Guide.

- Flush Installation Kit (for Single and Double installed at flush installation)

Order Part Number W10752683 for stainless steel

30" (76.2 cm) kit

Order Part Number W10752682 for black stainless steel

30" (76.2 cm) kit

To order, see the "Assistance or Service" section of the Use and Care Guide.

Parts Supplied

- #8-14 x $\frac{3}{4}$ " (1.9 cm) screws - single ovens (2), double ovens (4)
- #8-18 x $\frac{3}{8}$ " (9.5 mm) screws - bottom vent (2)
- #8-18 x $\frac{1}{4}$ " (6.4 mm) screws - bottom vent trim (4)
- #8-18 x $\frac{3}{8}$ " (9.5 mm) screws - double oven feet (4)
- Bottom vent
- Rear feet - double oven (2)
- Front feet - double oven (2)

Check local codes. Check existing electrical supply. See the "Electrical Requirements" section.

It is recommended that all electrical connections be made by a licensed, qualified electrical installer.

Location Requirements

IMPORTANT: Observe all governing codes and ordinances.

- Cabinet opening dimensions that are shown must be used. Given dimensions provide minimum clearance with oven.
- Recessed installation area must provide complete enclosure around the recessed portion of the oven.
- Grounded electrical supply is required. See the “Electrical Requirements” section.
- Electrical supply junction box should be located 3" (7.6 cm) maximum below the support surface when the oven is installed in a wall cabinet. A 1" (2.5 cm) minimum diameter hole should have been drilled in the right rear or left rear corner of the support surface to pass the appliance cable through to the junction box.

NOTE: For undercounter installation, it is recommended that the junction box be located in the adjacent right or left cabinet. If you are installing the junction box on rear wall behind oven, it is recommended that the junction box be recessed and located in the upper center of the cabinet.

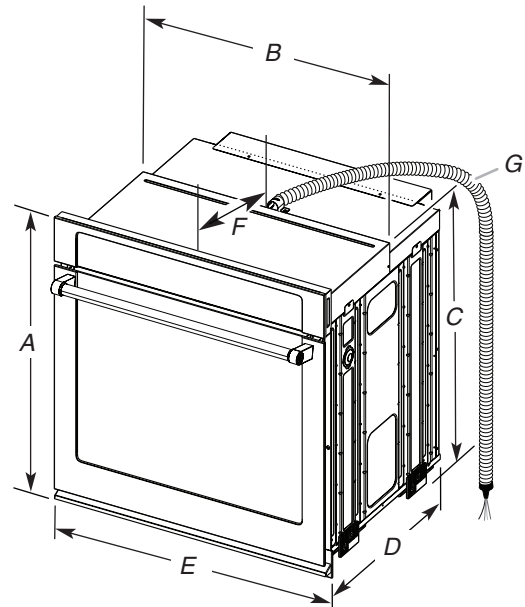
- Oven support surface must be solid, level, and flush with bottom of cabinet cutout.
- Floor must be able to support a single oven weight of 200 lbs (91 kg) for 30" (76.2 cm) models.
- Floor must be able to support a double oven weight of 330 lbs (150 kg) for 30" (76.2 cm) models.

IMPORTANT: To avoid damage to your cabinets, check with your builder or cabinet supplier to make sure that the materials used will not discolor, delaminate, or sustain other damage. This oven has been designed in accordance with the requirements of UL and CSA International and complies with the maximum allowable wood cabinet temperatures of 194°F (90°C).

Undercounter Installation (with Cooktop Installed Above):

Ovens approved for this type of installation have an approval label located on the top of the oven. Refer to Cutout Dimensions for Ovens Installed Under Cooktop (separate sheet).

Product Dimensions - Single Ovens

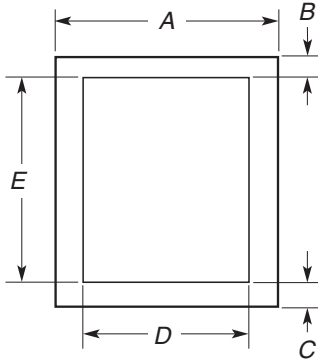


30" (76.2 cm) models

- A. 28³/₄" (72.8 cm) max. overall height
- B. 28¹/₂" (72.4 cm) max. recessed width
- C. 26³/₄" (67.9 cm) recessed height
- D. 23¹/₄" (59.1 cm) max. recessed depth
- E. 30" (76.2 cm) overall width
- F. 12" (30.5 cm) from back of control panel to start of strain relief
- G. 48" (121.9 cm) flexible conduit length

Cabinet Dimensions - Single Ovens

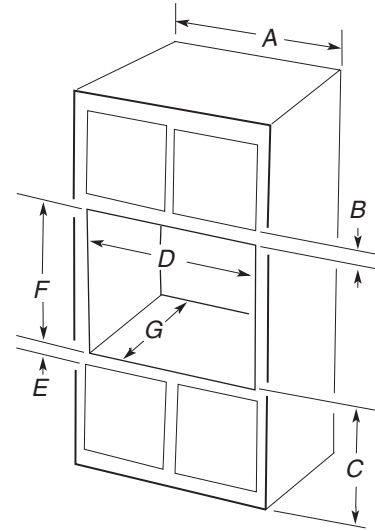
Single Oven Undercounter (Without Cooktop Installed Above)



30" (76.2 cm) models

- A. 30" (76.2 cm) min. cabinet width
- B. 1½" (3.8 cm) min. top of cutout to underside of countertop
- C. 5¼" (13.3 cm) bottom of cutout to floor
- D. 28½" (72.4 cm) cutout width
- E. 28" (71.2 cm) min. cutout height

Single Ovens Installed in Cabinet

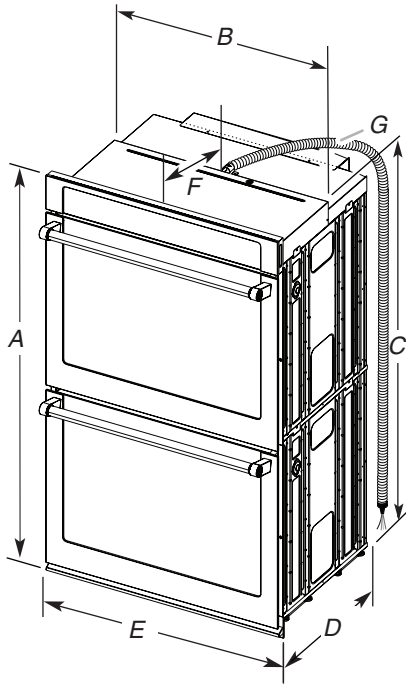


30" (76.2 cm) models

- A. 30" (76.2 cm) min. cabinet width
- B. 1" (2.5 cm) top of cutout to bottom of upper cabinet door
- C. 32" (81.3 cm) bottom of cutout to floor
- D. 28½" (72.4 cm) cutout width
- E. 1½" (3.8 cm) min. bottom of cutout to top of cabinet door
- F. 28" (71.2 cm)* recommended cutout height
- G. 24" (60.7 cm) cutout depth

* **NOTE:** The cutout height can be between 26¹⁵/₁₆" and 29⁷/₁₆" (68.4 cm and 74.8 cm) for single ovens.

Product Dimensions - Double Ovens

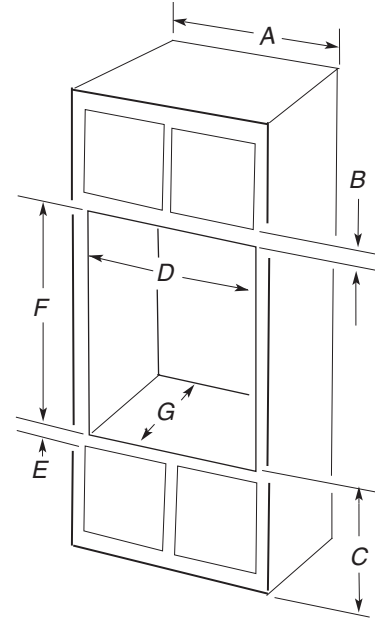


30" (76.2 cm) models

- A. 51³/₁₆" (130.0 cm) max. overall height
- B. 28¹/₂" (72.4 cm) max. recessed width
- C. 48¹³/₁₆" (124.0 cm) recessed height
- D. 23¹/₄" (59.1 cm) max. recessed depth
- E. 30" (76.2 cm) overall width
- F. 12" (30.5 cm) from back of control panel to start of strain relief
- G. 66" (167.6 cm) flexible conduit length

Cabinet Dimensions - Double Ovens

Double Ovens Installed in Cabinet



30" (76.2 cm) models

- A. 30" (76.2 cm) min. cabinet width
- B. 1" (2.5 cm) top of cutout to bottom of upper cabinet door
- C. 14³/₄" (37.5 cm) bottom of cutout to floor is recommended. 4"-14³/₄" (10.2 cm-37.5 cm) bottom of cutout to floor is acceptable.
- D. 28¹/₂" (72.4 cm) cutout width
- E. 1¹/₂" (3.8 cm) min. bottom of cutout to top of cabinet door
- F. 50¹/₄" (127.6 cm)* recommended cutout height
- G. 24" (60.7 cm) cutout depth

* **NOTE:** The cutout height can be between 48⁷/₈" and 52³/₁₆" (124.1 cm and 132.6 cm) for double ovens.

Electrical Requirements

If codes permit and a separate ground wire is used, it is recommended that a qualified electrical installer determine that the ground path and the wire gauge are in accordance with local codes.

Check with a qualified electrical installer if you are not sure the oven is properly grounded.

This oven must be connected to a grounded metal, permanent wiring system.

Be sure that the electrical connection and wire size are adequate and in conformance with the National Electrical Code, ANSI/NFPA 70 — latest edition or CSA Standards C22.1-94, Canadian Electrical Code, Part 1 and C22.2 No. O-M91 — latest edition, and all local codes and ordinances.

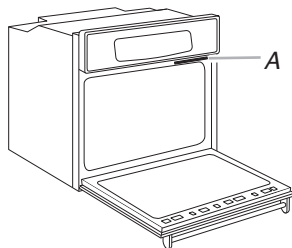
A copy of the above code standards can be obtained from:

National Fire Protection Association
1 Batterymarch Park
Quincy, MA 02169-7471
CSA International
8501 East Pleasant Valley Road
Cleveland, OH 44131-5575

Electrical Connection

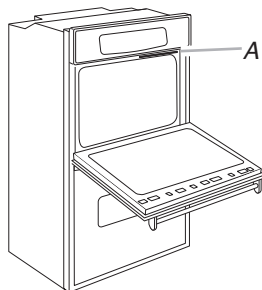
To properly install your oven, you must determine the type of electrical connection you will be using and follow the instructions provided for it here.

- Oven must be connected to the proper electrical voltage and frequency as specified on the model/serial/rating plate. The model/serial/rating plate is located under the control panel on single ovens and under the control panel on the upper oven cavity on double ovens. See the following illustrations.



Single Oven

A. Model/serial/rating plate



Double Oven

A. Model/serial/rating plate

- Models rated from 7.3 to 9.6 kW at 240 volts (5.4 to 7.4 kW at 208 volts) require a separate 40-amp circuit. Models rated at 4.8 kW and below at 240 volts (3.6 kW and below at 208 volts) require a separate 20-amp circuit.
- A circuit breaker is recommended.
- Connect directly to the circuit breaker box (or fused disconnect) through flexible, armored, or nonmetallic sheathed, copper cable (with grounding wire). See the “Make Electrical Connection” section.
- Flexible conduit from the oven should be connected directly to the junction box.
- Fuse both sides of the line.
- Do not cut the conduit. The length of conduit provided is for serviceability of the oven.
- A UL Listed or CSA Approved conduit connector must be provided.
- If the house has aluminum wiring, follow the procedure below:

Connect the aluminum wiring using special connectors and/or tools designed and UL listed for joining copper to aluminum.

Follow the electrical connector manufacturer’s recommended procedure. Aluminum/copper connection must conform with local codes and industry accepted wiring practices.

Voltage	Single	Double
240 VAC	5.8 kW	9.6 kW
208 VAC	4.4 kW	7.7 kW

INSTALLATION INSTRUCTIONS

Prepare Built-In Oven

1. Decide on the final location for the oven. Avoid drilling or cutting into house wiring during installation.

! WARNING

Excessive Weight Hazard

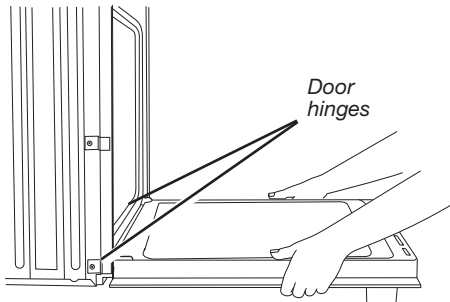
**Use two or more people to move and install oven.
Failure to do so can result in back or other injury.**

2. To avoid floor damage, set the oven onto cardboard prior to installation. Do not use handle or any portion of the front frame for lifting.
3. Remove the shipping materials and tape from the oven. Remember to keep the corner posts and other materials that may be needed for installation.
4. Remove the hardware package from inside the bag containing literature.
5. Remove and set aside racks, attachments, and other parts from inside the oven.
6. Move oven and cardboard close to the oven's final location.

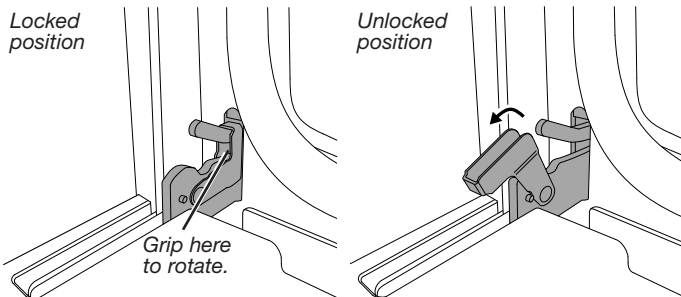
Remove Oven Door(s)

IMPORTANT: Use 2 hands to remove oven door. For double ovens, repeat the process for each door.

1. Prior to removing the oven door, prepare a surface where you will place it. This surface should be flat and covered with a soft blanket, or use the corner posts from your packaging material.
2. Fully open the oven door.



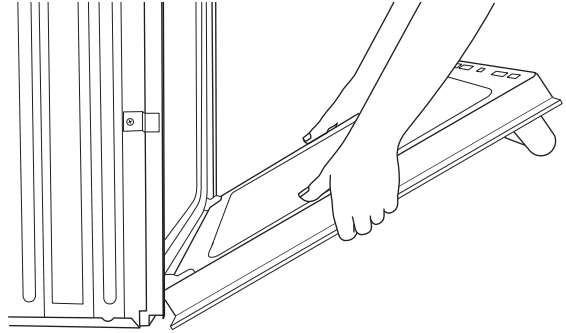
3. Locate the oven door hinge locks in both corners of the oven door, and rotate the hinge locks toward the oven door to the unlocked position. If the door hinge lock is not rotated fully (see illustration B), the door will not remove properly.



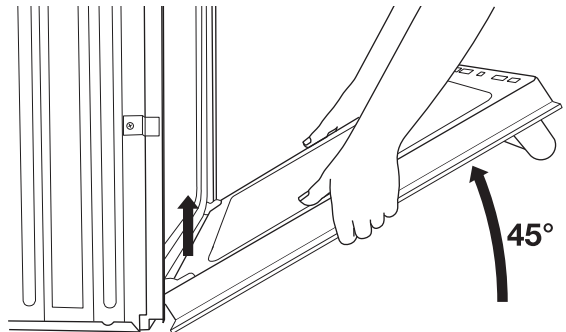
A. Oven door hinge lock in locked position

B. Oven door hinge lock in partially unlocked position

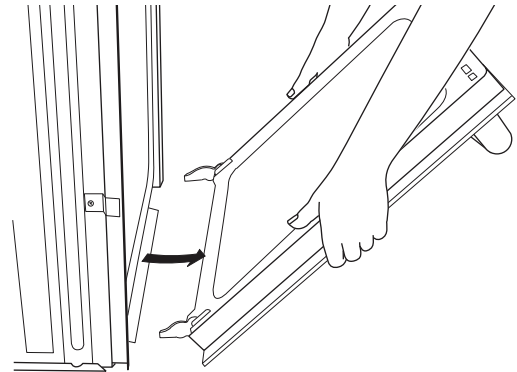
4. Gently start to close the door. The door will stop at a partially closed position.



5. Using 2 hands, grasp the edges of the oven door. Close the oven door slightly past the stop position to take the weight off of the door hinges, and then pull the oven door up.



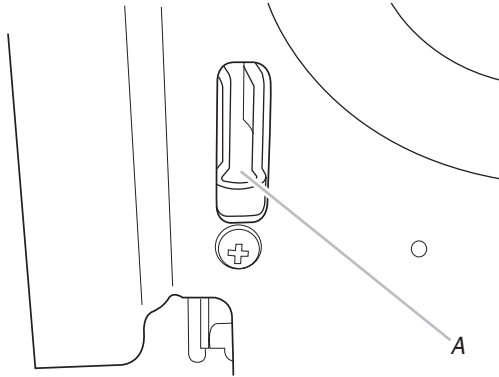
6. Pull the oven door toward you, and then remove. You may need to gently shift door from side to side as you pull.



7. Set the oven door aside on the prepared covered work surface with the oven door resting on its handle.
8. To continue with the oven installation, go to the "Positioning Oven Feet for Multiple Cabinet Cutout Heights" section.

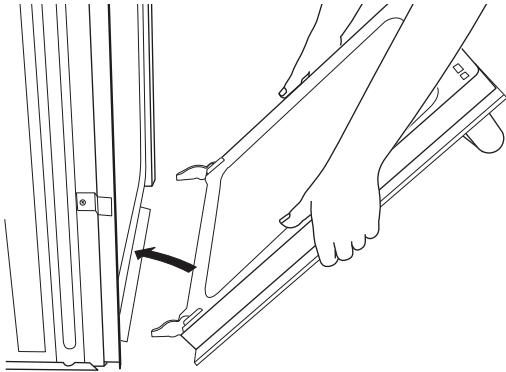
Replace Oven Door(s)

1. Using 2 hands, grasp side edges of door at the midpoint. Face the oven cavity.
2. Locate the slots on each side of the oven front frame for the door hinge locks.

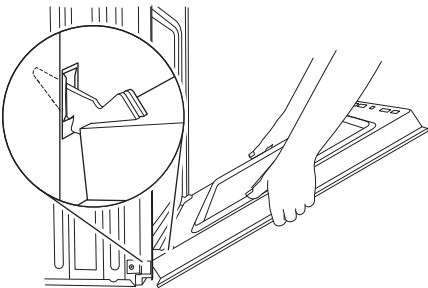


A. Slot in the oven cavity for door hinge lock

3. Using 2 hands, grasp the edges of the oven door. At a 45° angle, insert the hinges at the same time, and push the oven door into the oven cavity slot to replace. You may need to gently shift the door from side to side as you push.

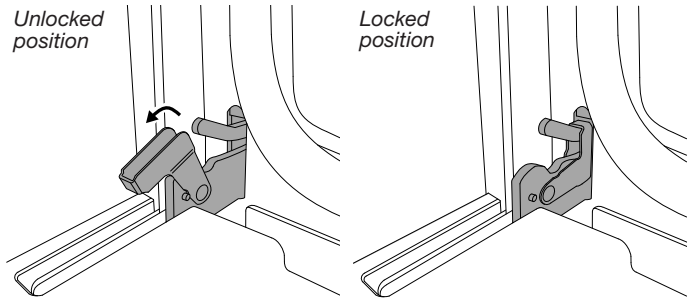


4. Make sure the door hinge notch is engaged on the bottom of the oven cavity slot.



IMPORTANT: Do not close the door at this step or damage may occur to the door hinge.

5. Lower the oven door to the fully open position. If the oven door does not open to a full 90°, repeat steps 1 through 3.
6. Locate the oven door hinge locks in the corners of the oven door, and rotate the hinge locks toward the oven cavity to the locked position.



7. After the door hinges have been locked, gently swing the door upward to close. The door should not be forced closed.
8. When the hinges are properly installed and the door is closed, there should be an even gap between the door and the control panel. If one side of the oven door is lower than the other, the hinge on that side is not properly installed. See the “Remove Oven Door” and “Replace Oven Door” sections.

Positioning Oven Feet for Multiple Cabinet Cutout Heights

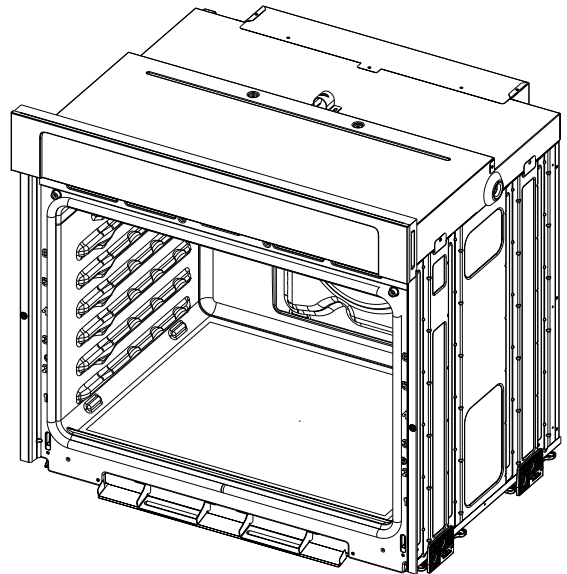
Single Ovens

The positioning of the oven feet allow a single oven to be installed in a cutout height between $26\frac{15}{16}$ " and $29\frac{7}{16}$ " (68.4 cm and 74.8 cm). Refer to the following instructions to position the feet for the size of your cabinet cutout.

Cutout Height Is Between $27\frac{5}{8}$ " and $28\frac{5}{8}$ " (70.2 cm and 72.7 cm)

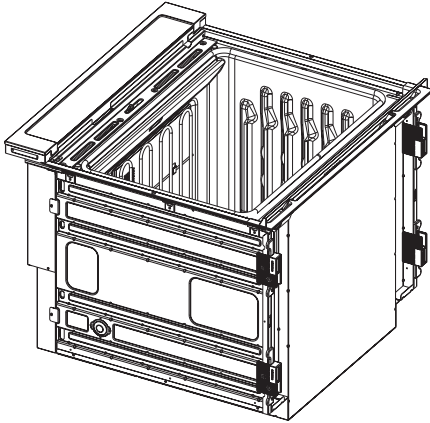
The oven feet do not need to be changed. They are positioned correctly as received.

Go to the “Make Electrical Connection” section.



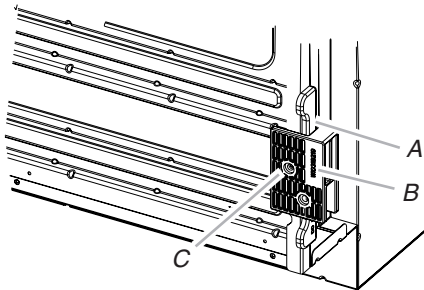
**Cutout Height Is Between 26¹⁵/₁₆" and 27¹¹/₁₆"
(68.4 cm and 70.3 cm)**

- Using 2 or more people, place the oven on its back on a covered surface.



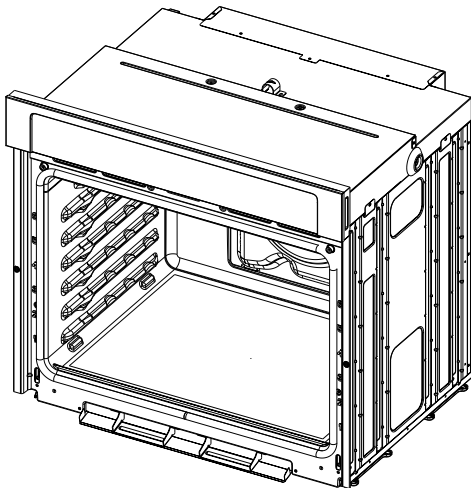
- Remove the foot from the right front spacer by removing the #8-18 x 3/8" (9.5 mm) screw.

NOTE: Do not remove the spacer.



A. Spacer
B. Foot
C. #8-18 x 3/8" (9.5 mm) screw

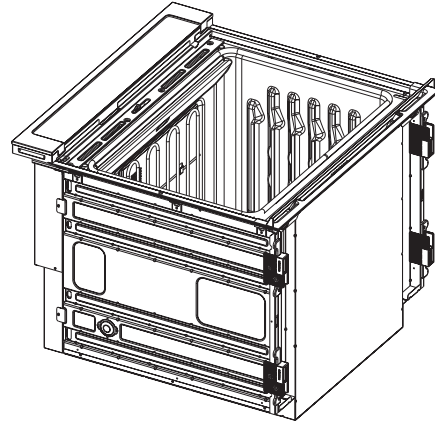
- In the same manner, remove the feet on the right rear, left front, and left rear of the oven.
- Using 2 or more people, place the oven in its upright position.



- Go to the "Make Electrical Connection" section.

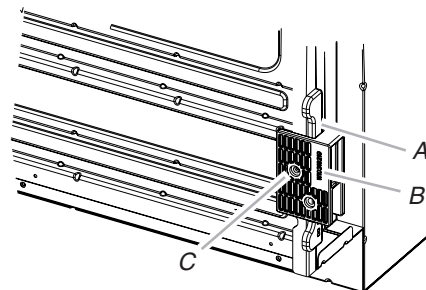
**Cutout Height Is Between 28¹¹/₁₆" and 29⁷/₁₆"
(72.8 cm and 74.8 cm)**

- Using 2 or more people, place the oven on its back on a covered surface.



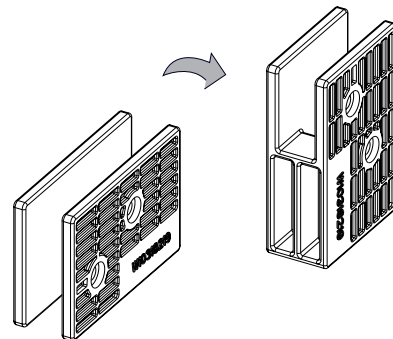
- Remove the foot from the right front spacer by removing the #8-18 x 3/8" (9.5 mm) screw.

NOTE: Do not remove the spacer.

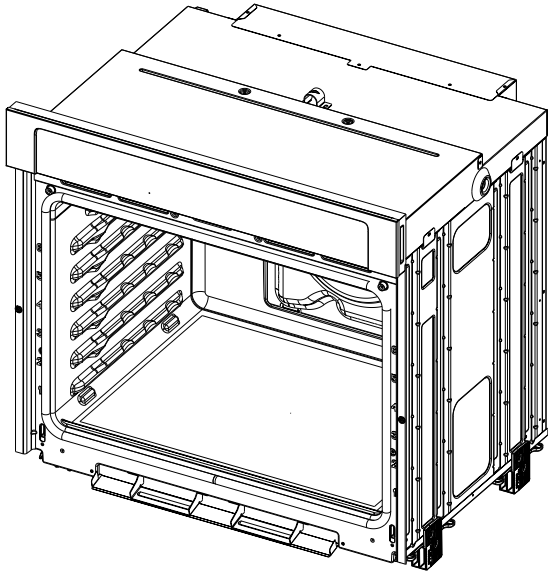


A. Spacer
B. Foot
C. #8-18 x 3/8" (9.5 mm) screw

- Rotate the foot 90°, so the short side of the foot is positioned toward the top of the oven.



4. Reinstall the foot to the spacer using the #8-18 x $\frac{3}{8}$ " (9.5 mm) screw previously removed.
5. In the same manner, remove, rotate, and reinstall the feet on the right rear, left front, and left rear of the oven.
6. Using 2 or more people, place the oven in its upright position.



7. Go to the "Make Electrical Connection" section.

Double Ovens

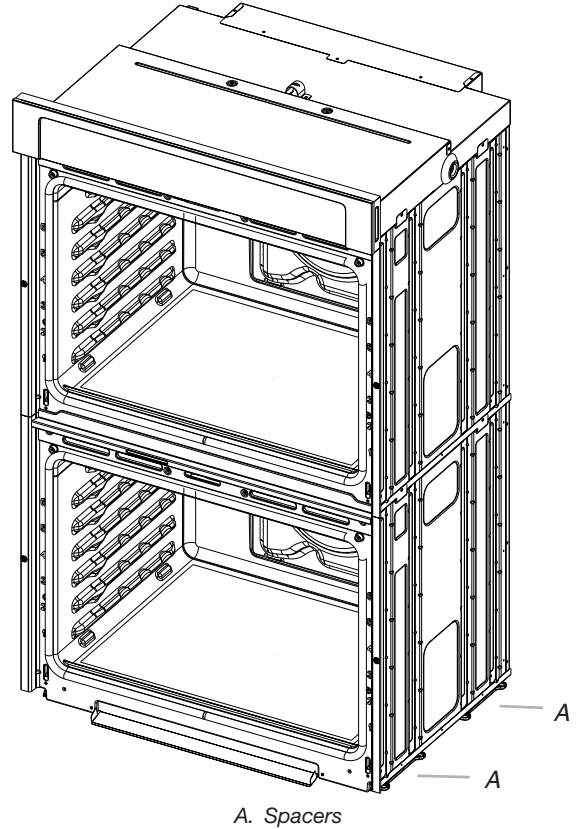
The positioning of the oven feet allow a double oven to be installed in a cutout height between $48\frac{7}{8}$ " and $52\frac{3}{16}$ " (124.1 cm and 132.6 cm). Refer to the following instructions to position the feet for the size of your cabinet cutout.

Cutout Height Is Between $48\frac{7}{8}$ " and $50\frac{7}{16}$ " (124.1 cm and 128.1 cm)

The oven feet do not need to be installed. The oven is configured correctly as received.

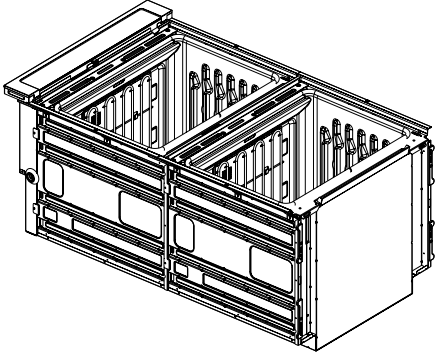
NOTE: Do not remove the spacers.

Go to the "Make Electrical Connection" section.



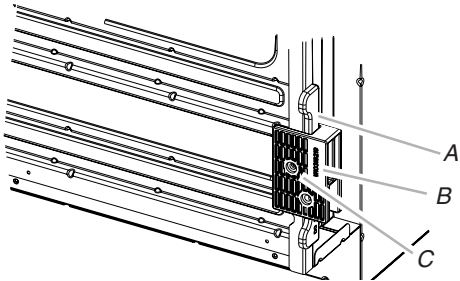
**Cutout Height Is Between 50¹/₂" and 51¹/₈"
(128.2 cm and 129.9 cm)**

1. Using 2 or more people, place the oven on its back on a covered surface.



2. Install a foot on the left rear spacer using a #8-18 x ³/₈" (9.5 mm) screw.

NOTE: Position the foot so the long side of the foot is facing toward the top of the oven.

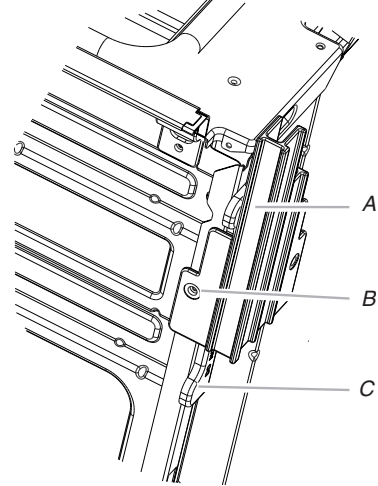


A. Spacer
B. Foot
C. #8-18 x ³/₈" (9.5 mm) screw

3. In the same manner, install a foot on the right rear of the oven.

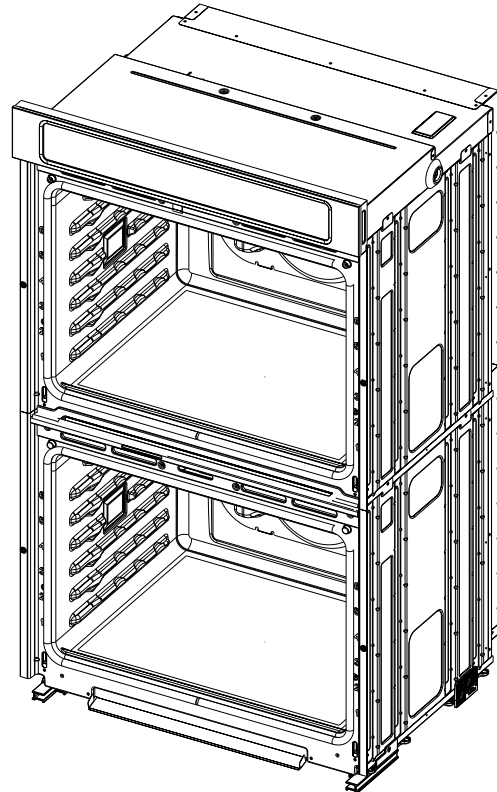
4. Install a front foot on the left front spacer using a #8-18 x ³/₈" (9.5 mm) screw.

NOTE: Position the foot so the long side of the foot is facing toward the inside of the oven.



A. Front foot
B. #8-18 x ³/₈" (9.5 mm) screw
C. Spacer

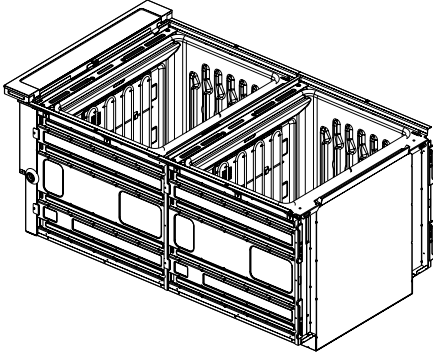
5. In the same manner, install a front foot on the right front of the oven.
6. Using 2 or more people, place the oven in its upright position.



7. Go to the "Make Electrical Connection" section.

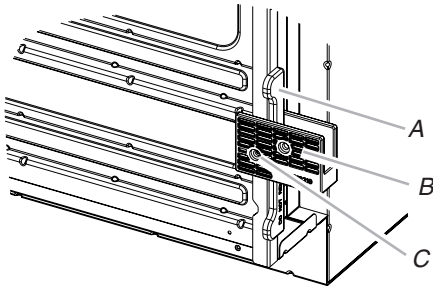
**Cutout Height Is Between 51³/₁₆" and 52³/₁₆"
(130 cm and 132.6 cm)**

1. Using 2 or more people, place the oven on its back on a covered surface.



2. Install a foot on the left rear spacer using a #8-18 x ³/₈" (9.5 mm) screw.

NOTE: Position the foot so the short side of the foot is facing toward the top of the oven.

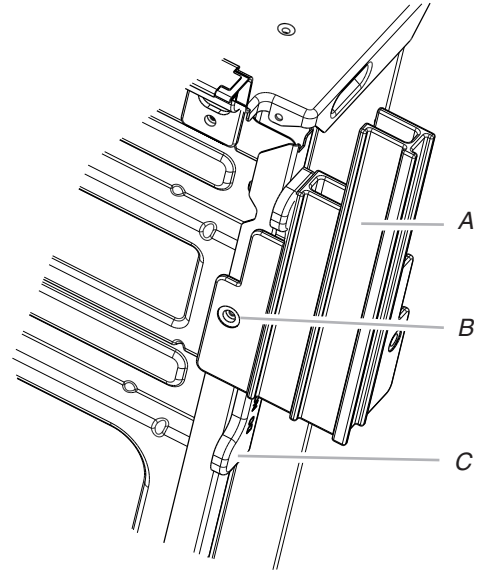


- A. Spacer
- B. Foot
- C. #8-18 x ³/₈" (9.5 mm) screw

3. In the same manner, install a foot on the right rear of the oven.

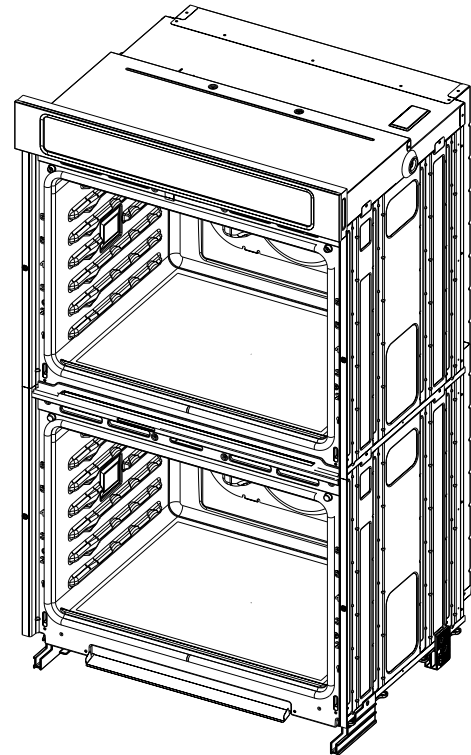
4. Install a front foot on the left front using a #8-18 x ³/₈" (9.5 mm) screw.

NOTE: Position the foot so the long side of the foot is facing toward the top of the oven.



- A. Front foot
- B. #8-18 x ³/₈" (9.5 mm) screw
- C. Spacer

5. In the same manner, install a front foot on the right front of the oven.
6. Using 2 or more people, place the oven in its upright position.



7. Go to the "Make Electrical Connection" section.

Make Electrical Connection

For Double Ovens

⚠ WARNING



Electrical Shock Hazard

Disconnect power before servicing.

Use 8 gauge copper wire.

Electrically ground oven.

Failure to follow these instructions can result in death, fire, or electrical shock.

For Single Ovens

⚠ WARNING



Electrical Shock Hazard

Disconnect power before servicing.

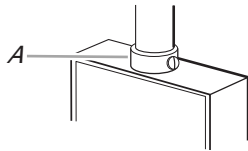
Use 12 gauge copper wire.

Electrically ground oven.

Failure to follow these instructions can result in death, fire, or electrical shock.

This oven is manufactured with a neutral (white) power supply wire and a cabinet-connected green (or bare) ground wire twisted together.

1. Disconnect power.
2. Feed the flexible conduit from the oven through the opening in the cabinet.
3. Remove junction box cover if it is present.
4. Install a UL Listed or CSA Approved conduit connector to the junction box.

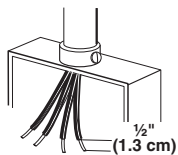


A. UL Listed or CSA Approved conduit connector

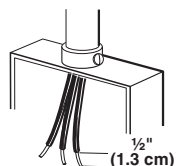
5. Route the flexible conduit from the oven to the junction box through a UL Listed or CSA Approved conduit connector.
6. Tighten screws on conduit connector.
7. See the "Electrical Connection Options Chart" to complete installation for your type of electrical connection.

Electrical Connection Options Chart

If your home has:	Go to section:
4-wire	4-Wire Cable from Home Power Supply

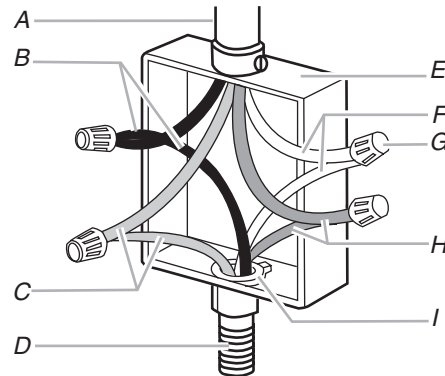


3-wire	3-Wire Cable from Home Power Supply
--------	-------------------------------------



4-Wire Cable from Home Power Supply

IMPORTANT: Use the 4-wire cable from home power supply in the U.S. where local codes do not allow grounding through neutral, New Branch circuit installations (1996 NEC), mobile homes and recreational vehicles, new construction, and in Canada.

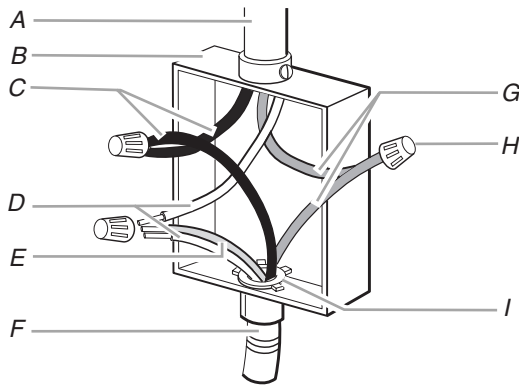


- | | |
|--------------------------------------|--|
| A. Cable from home power supply | F. White wires |
| B. Black wires | G. UL Listed wire connectors |
| C. Red wires | H. Green (or bare) ground wires |
| D. 4-wire flexible conduit from oven | I. UL Listed or CSA Approved conduit connector |
| E. Junction box | |

1. Connect the 2 black wires (B) together using a UL Listed wire connector.
2. Connect the 2 red wires (C) together using a UL Listed wire connector.
3. Untwist white wire from green (or bare) ground wire coming from the oven.
4. Connect the 2 white wires (F) together using a UL Listed wire connector.
5. Connect the green (or bare) ground wire (H) from the oven cable to the green (or bare) ground wire (in the junction box) using a UL Listed wire connector.
6. Install junction box cover.

3-Wire Cable from Home Power Supply - U.S. Only

IMPORTANT: Use the 3-wire cable from home power supply where local codes permit a 3-wire connection.



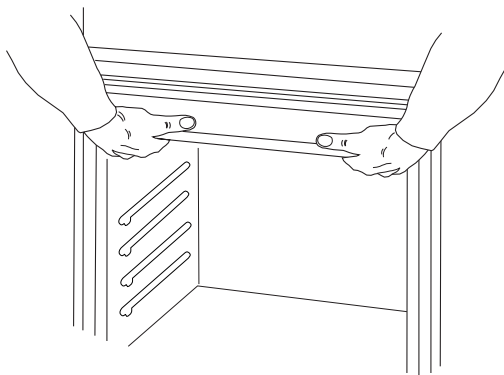
- | | |
|--|--|
| A. Cable from home power supply | F. 4-wire flexible conduit from oven |
| B. Junction box | G. Red wires |
| C. Black wires | H. UL Listed wire connectors |
| D. White wires | I. UL Listed or CSA Approved conduit connector |
| E. Green (or bare) ground wire (from oven) | |

1. Connect the 2 black wires (C) together using a UL Listed wire connector.
2. Connect the 2 white wires (D) and the green (or bare) ground wire (of the oven cable) using a UL Listed wire connector.
3. Connect the 2 red wires (G) together using a UL Listed wire connector.
4. Install junction box cover.

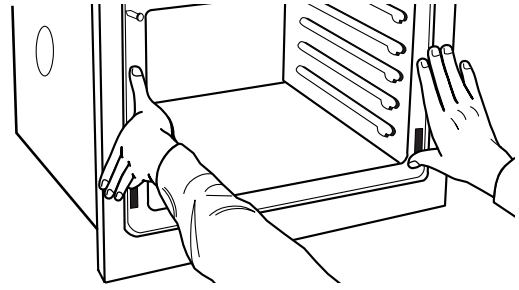
Install Oven

1. Using 2 or more people, lift the oven partially into the cabinet cutout. Use the oven opening as an area to grip.

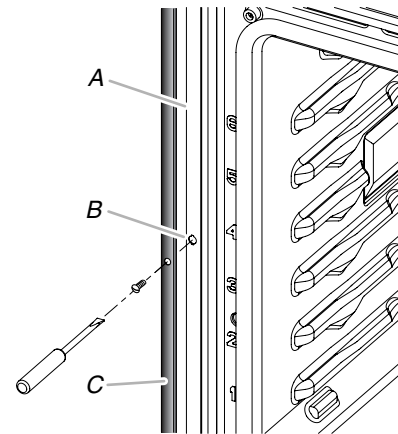
NOTE: Push against seal area of the oven front frame when pushing the oven into the cabinet. Do not push against the outside edges.



2. Push against the seal area of the front frame to push the oven into the cabinet until the back surface of the front frame touches the front wall of the cabinet.



3. Push oven completely into the cabinet and center the oven into the cabinet cutout.
4. Remove the tape from black front trims.
 - Securely fasten the oven to the cabinet using the #8-14 x 3/4" (1.9 cm) screws provided.
 - Insert the screws through hole in black trim aligning with hole in oven frame. Do not overtighten screws.

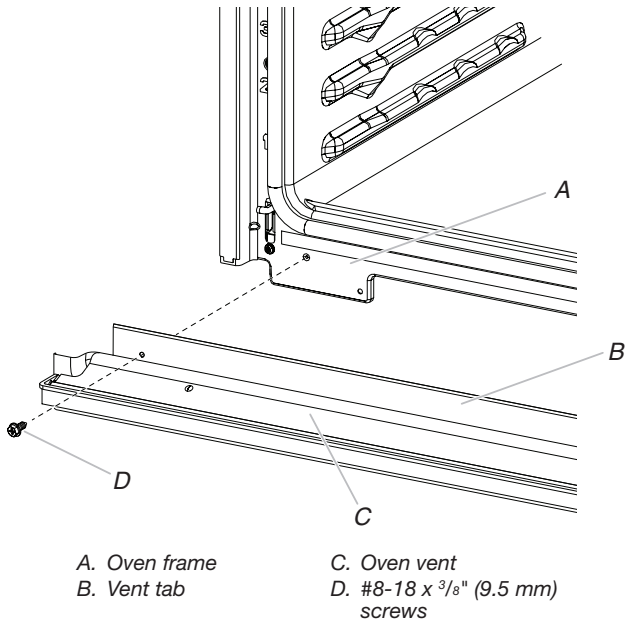


- A. Oven frame
B. Oven frame hole
C. Black trim piece

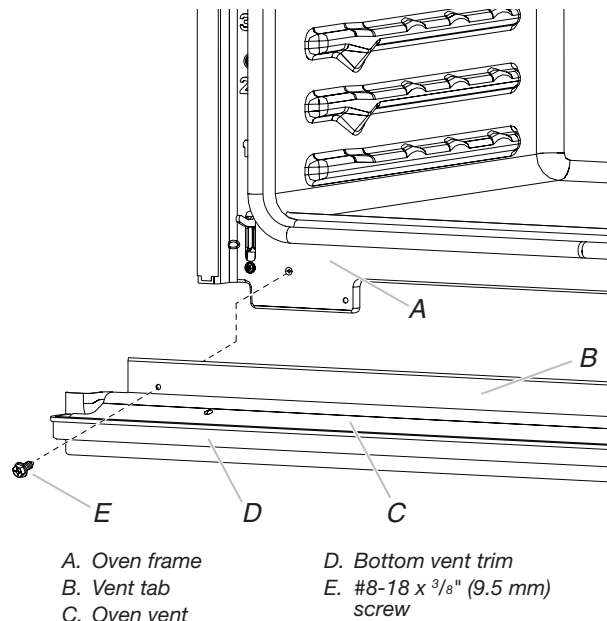
- The bottom vent and bottom vent trim (required when the oven is installed with the feet in the tall position) are shipped in the foam packing at the top of the oven.

To install only the bottom vent, see the following instructions. To install both the bottom vent and the bottom vent trim for installations with the feet in the tall position, see the instructions in Step 6.

- Align vent tab (B) with oven frame (A) as shown.
- Using one #8-18 x 3/8" (9.5 mm) screw (D) on each side of the vent tab (B), fasten the vent securely to the oven.

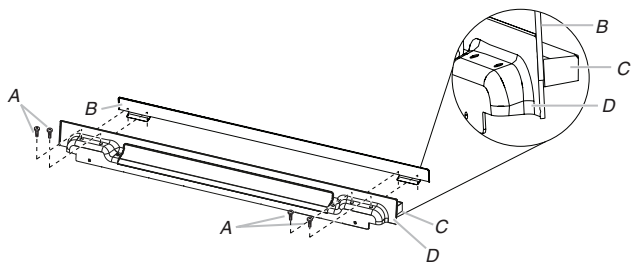


- Align vent tab (B) with oven frame (A) as shown.
- Using one #8-18 x 3/8" (9.5 mm) screw (E) on each side of the vent tab (B), fasten the vent securely to the oven.



- On models with the feet installed in the tall position, the bottom vent trim must also be installed. See the following instructions to install.

- Flex the upper vent piece (C) away from the lower vent piece (D) to slide the bottom vent trim (B) between them. Some force may be required to flex the upper vent trim (C) away from the lower vent trim (D). Some force may also be required to flex the bottom vent trim (B) and slide it into position. Make sure screw holes are properly aligned between the 2 pieces. See the following illustration.
- Install the bottom vent trim (B) to the lower vent piece (D) using two #8-18 x 1/4" (6.4 mm) screws on each side.



- Replace the oven racks.
- Replace the oven door. See the "Replace Oven Door(s)" section.
- Check that the door is free to open and close. If it is not, repeat the removal and installation procedures. See the "Prepare Built-In Oven" section.
- Repeat for lower oven door.
- Reconnect power.
- The display panel will light and boot up.
- If the display panel does not light, reference the "Warranty" section of the Use and Care Guide.

Complete Installation

1. Check that all parts are now installed. If there is an extra part, go back through the steps to see which step was skipped.
2. Check that you have all of your tools.
3. Dispose of/recycle all packaging materials.
4. For oven use and cleaning, read the Use and Care Guide.

Check Operation of Single and Double Ovens

1. Turn on power.
2. At first use, set up the clock and any other preferences if available. For more information, read the Use and Care Guide.
3. Start a broil cycle. See the User Instructions for instructions.
NOTE: Odors and smoke are normal when the oven is used the first few times.
4. Wait 5 minutes, then check for heat.

If Oven(s) Does Not Operate, Check the Following:

- Household fuse is intact and tight, or circuit breaker has not tripped.
 - Electrical supply is connected.
 - See the “Troubleshooting” section in the User Instructions.
5. Place the SatinGlide™ Roll-Out Extension Rack for Smart Oven+ Attachments in the lowest rack position in the unit to make sure the correct accessory rack is on the bottom.
 6. Press UPPER CANCEL/LOWER CANCEL on double ovens, or press CANCEL on single ovens.

If You Need Assistance or Service:

Please reference the “Warranty” section of the Use and Care Guide.

SÉCURITÉ DU FOUR ENCASTRÉ

Votre sécurité et celle des autres est très importante.

Nous donnons de nombreux messages de sécurité importants dans ce manuel et sur votre appareil ménager. Assurez-vous de toujours lire tous les messages de sécurité et de vous y conformer.



Voici le symbole d'alerte de sécurité.

Ce symbole d'alerte de sécurité vous signale les dangers potentiels de décès et de blessures graves à vous et à d'autres.

Tous les messages de sécurité suivront le symbole d'alerte de sécurité et le mot "DANGER" ou "AVERTISSEMENT". Ces mots signifient :

⚠ DANGER

Risque possible de décès ou de blessure grave si vous ne suivez pas immédiatement les instructions.

⚠ AVERTISSEMENT

Risque possible de décès ou de blessure grave si vous ne suivez pas les instructions.

Tous les messages de sécurité vous diront quel est le danger potentiel et vous disent comment réduire le risque de blessure et ce qui peut se produire en cas de non-respect des instructions.

EXIGENCES D'INSTALLATION

Outils et pièces

Rassembler les outils et pièces nécessaires avant d'entreprendre l'installation. Lire et observer les instructions fournies avec chacun des outils de la liste ci-dessous.

Outils nécessaires

- Tournevis cruciforme
- Ruban à mesurer
- Perceuse manuelle ou électrique (pour installation dans une armoire)
- Foret de 1 po (2,5 cm) (pour installation dans une armoire)
- Niveau
- Tournevis à lame plate

Pièces nécessaires

- Connecteur de conduit (homologation UL ou CSA)
- Connecteurs de fils (homologation UL)
- Ensemble de déflecteurs pour tiroir-réchaud (pour les fours installés par-dessus un tiroir-réchaud)
Commander le numéro de pièce W10536339 pour la trousse en acier inoxydable de 30 po (76,2 cm)
Commander le numéro de pièce W10727416 pour la trousse en acier inoxydable noir de 30 po (76,2 cm)
Pour commander, voir la section "Assistance ou service" du Guide d'utilisation et d'entretien.

- Ensemble d'installation en affleurement (pour les fours simple et double installés en affleurement)
Commander le numéro de pièce W10752683 pour la trousse en acier inoxydable de 30 po (76,2 cm)
Commander le numéro de pièce W10752682 pour la trousse en acier inoxydable noir de 30 po (76,2 cm)
Pour commander, voir la section "Assistance ou service" du Guide d'utilisation et d'entretien.

Pièces fournies

- 2 (4) vis no 8-14 x $\frac{3}{4}$ po (1,9 cm) – Four simple (four double)
- 2 vis no 8-18 x $\frac{3}{8}$ po (9,5 mm) – Évén inférieur
- 4 vis no 8-18 x $\frac{1}{4}$ po (6,4 mm) – Garniture de l'évén inférieur
- 4 vis no 8-18 x $\frac{3}{8}$ po (9,5 mm) – Pieds du four double
- Évén inférieur
- 2 pieds arrière – Four double
- 2 pieds avant – Four double

Consulter les codes locaux. Vérifier l'alimentation électrique existante. Voir la section "Spécifications électriques".

Il est recommandé de faire réaliser tous les raccordements électriques par un électricien qualifié agréé.

Exigences d'emplacement

IMPORTANT : Observer les dispositions de tous les codes et règlements en vigueur.

- Les dimensions d'ouverture de l'armoire indiquées doivent être utilisées. Ces dimensions tiennent compte des dégagements de séparation nécessaires pour le four.
- L'espace d'installation dans un encastrément doit permettre la formation d'une enceinte complète autour de la partie encastrée du four.
- Une source d'électricité avec liaison à la terre est nécessaire. Voir la section "Spécifications électriques".
- Le boîtier de raccordement doit être situé à moins de 3 po (7,6 cm) au-dessous de la surface de support lorsque le four est installé dans une armoire. Un trou d'un diamètre de 1 po (2,5 cm) ou plus doit avoir été percé dans l'angle arrière gauche ou droit de la surface de support pour le passage le câble d'alimentation de l'appareil jusqu'au boîtier de connexion.

REMARQUE : Pour l'installation sous un plan de travail, nous recommandons que le boîtier de connexion soit situé dans l'armoire adjacente, à droite ou à gauche. Si le boîtier de connexion est installé sur le mur derrière le four, nous recommandons qu'il soit encastré et situé dans la partie supérieure centrale de l'armoire.

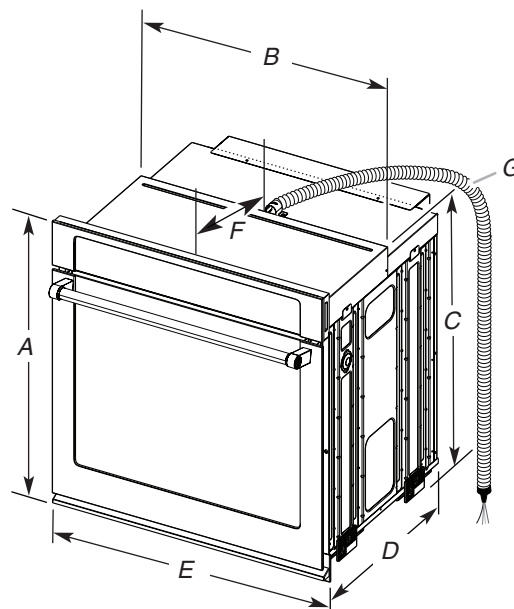
- La surface de support du four doit être robuste, horizontale et en affleurement avec le bas de l'ouverture découpée dans l'armoire.
- Pour un modèle simple de 30 po (76,2 cm), le plancher doit pouvoir supporter un poids de 200 lb (91 kg).
- Pour un modèle double de 30 po (76,2 cm), le plancher doit pouvoir supporter un poids de 330 lb (150 kg).

IMPORTANT : Pour éviter d'endommager les armoires, consulter le constructeur de la maison ou le fabricant des armoires pour déterminer si les matériaux utilisés peuvent subir un changement de couleur, une déstratification ou d'autres dommages. Ce four a été conçu conformément aux exigences des normes UL et CSA International et respecte les températures maximums permises de 194 °F (90 °C) pour les armoires en bois.

Installation sous un plan de travail (avec table de cuisson installée au-dessus) :

Les fours homologués pour ce type d'installation comportent une étiquette d'homologation placée sur le dessus du four. Consulter la section "Four installé sous la table de cuisson – Dimensions pour l'ouverture à découper" (document distinct).

Dimensions du produit – Fours simples

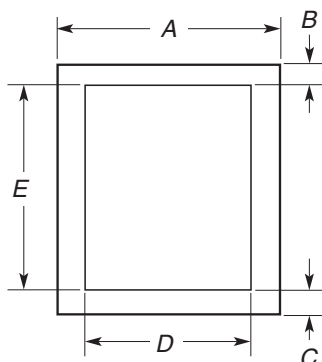


Modèles de 30 po (76,2 cm)

- A. Hauteur totale maximum : 28 ³/₄ po (72,8 cm)
- B. Largeur maximum de l'encastrement : 28 ¹/₂ po (72,4 cm)
- C. Hauteur d'encastrement : 26 ³/₄ po (67,9 cm)
- D. Profondeur maximum de l'encastrement : 23 ¹/₄ po (59,1 cm)
- E. Largeur totale : 30 po (76,2 cm)
- F. De l'arrière du tableau de commande jusqu'à l'extrémité avant du serre-câbles : 12 po (30,5 cm)
- G. Longueur du conduit flexible : 48 po (121,9 cm)

Dimensions de l'armoire – Fours simples

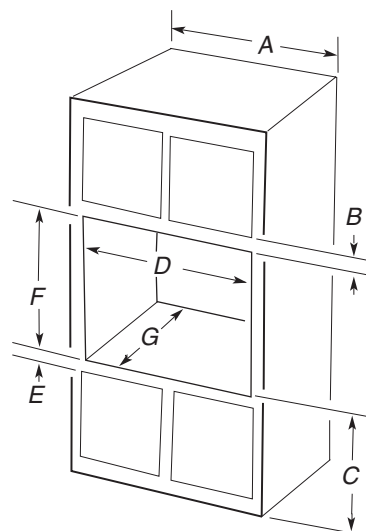
Four simple sous le plan de travail (sans table de cuisson au-dessus)



Modèles de 30 po (76,2 cm)

- A. Largeur minimum de l'armoire : 30 po (76,2 cm)
- B. Du dessus de la découpe au dessous du plan de travail : minimum de 1 1/2 po (3,8 cm)
- C. Du fond de la découpe au plancher : 5 1/4 po (13,3 cm)
- D. Largeur de la découpe : 28 1/2 po (72,4 cm)
- E. Hauteur minimum de la découpe : 28 po (71,2 cm)

Fours simples installés dans une armoire

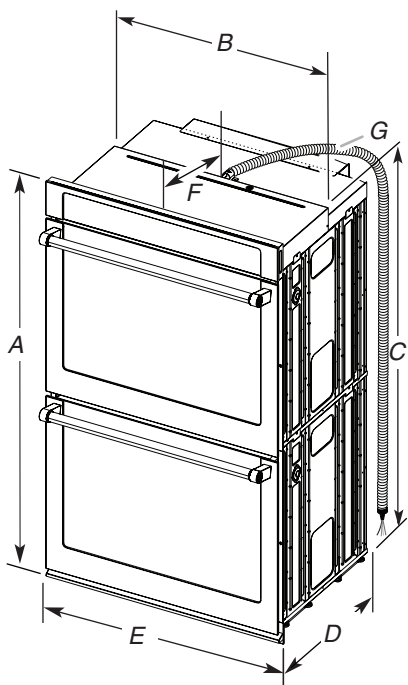


Modèles de 30 po (76,2 cm)

- A. Largeur minimum de l'armoire : 30 po (76,2 cm)
- B. Du sommet de la découpe au bas de la porte de l'armoire supérieur : 1 po (2,5 cm)
- C. Du fond de la découpe au plancher : 32 po (81,3 cm)
- D. Largeur de la découpe : 28 1/2 po (72,4 cm)
- E. Du fond de la découpe au dessus de la porte de l'armoire : minimum de 1 1/2 po (3,8 cm)
- F. Hauteur recommandée de la découpe : 28 po (71,2 cm)*
- G. Profondeur de découpe : 24 po (60,7 cm)

* **REMARQUE** : Pour les fours simples, la hauteur de la découpe peut être comprise entre 26 15/16 po et 29 7/16 po (68,4 cm et 74,8 cm).

Dimensions du produit – Fours doubles

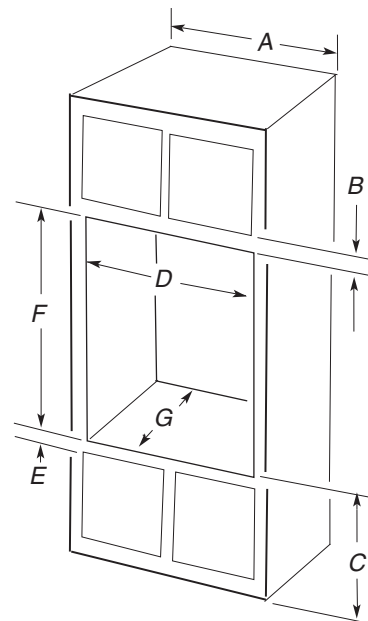


Modèles de 30 po (76,2 cm)

- A. Hauteur totale maximum :
51 ³/₁₆ po (130,0 cm)
- B. Largeur maximum de l'encastrement :
28 ¹/₂ po (72,4 cm)
- C. Hauteur d'encastrement :
48 ¹³/₁₆ po (124,0 cm)
- D. Profondeur maximum de l'encastrement : 23 ¹/₄ po (59,1 cm)
- E. Largeur totale : 30 po (76,2 cm)
- F. De l'arrière du tableau de commande jusqu'à l'extrémité avant du serrécâble : 12 po (30,5 cm)
- G. Longueur du conduit flexible : 66 po (167,6 cm)

Dimensions de l'armoire – Fours doubles

Fours doubles installés dans une armoire



Modèles de 30 po (76,2 cm)

- A. Largeur minimum de l'armoire :
30 po (76,2 cm)
- B. Du sommet de la découpe au bas de la porte de l'armoire supérieur :
1 po (2,5 cm)
- C. Du fond de la découpe au plancher :
14 ³/₄ po (37,5 cm) recommandé.
Du fond de la découpe au plancher :
4 po à 14 ³/₄ po (10,2 cm à 37,5 cm) acceptable.
- D. Largeur de la découpe :
28 ¹/₂ po (72,4 cm)
- E. Du fond de la découpe au dessus de la porte de l'armoire :
minimum de 1 ¹/₂ po (3,8 cm)
- F. Hauteur recommandée de la découpe : 50 ¹/₄ po (127,6 cm)*
- G. Profondeur de découpe :
24 po (60,7 cm)

* **REMARQUE** : Pour les fours doubles, la hauteur de la découpe peut être comprise entre 48 ⁷/₈ po et 52 ³/₁₆ po (124,1 cm et 132,6 cm).

Spécifications électriques

Si on utilise un conducteur distinct de liaison à la terre et lorsque les codes le permettent, il est recommandé qu'un électricien qualifié vérifie que la liaison à la terre et le calibre des fils sont conformes aux codes locaux.

En cas de doute quant à la qualité de la liaison à la terre du four, consulter un électricien qualifié.

Ce four doit être raccordé à un système permanent, métallique de câblage relié à la terre.

S'assurer que le raccordement électrique est adéquat et conforme au code national de l'électricité, ANSI/NFPA 70 – édition la plus récente ou CSA Standards C22. 1-94, Code canadien des installations électriques, partie 1 et C22.2 No O-M91 (édition la plus récente) et de tous les codes et règlements en vigueur.

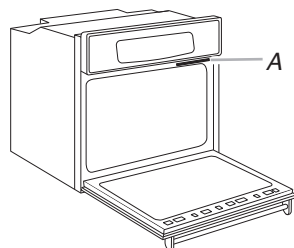
Pour obtenir un exemplaire des normes des codes ci-dessus, contacter :

National Fire Protection Association
1 Batterymarch Park
Quincy, MA 02169-7471
CSA International
8501 East Pleasant Valley Road
Cleveland, OH 44131-5575

Raccordement électrique

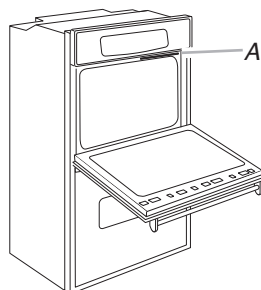
Pour installer le four correctement, il faut établir le type de raccords électriques que l'on utilisera et suivre les instructions indiquées ici.

- Le four doit être alimenté par une source d'électricité et une tension appropriées, comme spécifié sur la plaque signalétique. La plaque signalétique du numéro de modèle et de série est située sous le panneau de configuration sur les fours simples et sous le panneau de configuration sur la cavité supérieure du four sur les fours doubles. Voir les illustrations suivantes.



Four simple

A. Plaque signalétique du numéro de modèle et de série



Four double

A. Plaque signalétique du numéro de modèle et de série

- Les modèles à 240 V de 7,3 à 9,6 kW (208 V de 5,4 à 7,4 kW) doivent être alimentés par un circuit indépendant de 40 A. Un modèle à 240 V de 4,8 kW ou moins (208 V de 3,6 kW ou moins) doit être alimenté par un circuit indépendant de 20 A.
- L'emploi d'un disjoncteur est recommandé.
- Raccorder l'appareil directement au tableau de distribution (fusible ou disjoncteur) par un câble à conducteur de cuivre à gaine flexible à blindage métallique ou à gaine non métallique (avec conducteur de liaison à la terre). Voir la section "Raccordement électrique".
- Le câble flexible du four doit être connecté directement dans le boîtier de connexion.
- Installer un fusible aux deux extrémités de la ligne.
- Ne pas couper le conduit. La longueur du conduit fournie est destinée à faciliter l'entretien du four.
- L'installateur doit fournir un connecteur de conduit (homologation UL ou CSA).
- Si le domicile possède un câblage en aluminium, suivre la procédure ci-dessous :

Connecter le câblage en aluminium en utilisant des connecteurs ou des outils spécialement conçus et homologués UL pour raccorder le cuivre à l'aluminium.

Appliquer la procédure recommandée par le fabricant des connecteurs. Les raccordements aluminium/cuivre doivent satisfaire aux prescriptions des codes locaux et de l'industrie, et être conformes aux pratiques de câblage reconnues.

Tension	Simple	Double
240 V CA	5,8 kW	9,6 kW
208 V CA	4,4 kW	7,7 kW

INSTRUCTIONS D'INSTALLATION

Préparer le four encastré

1. Choisir l'emplacement final pour l'installation du four. Éviter de percer ou de sectionner le câblage du domicile pendant l'installation.

AVERTISSEMENT

Risque du poids excessif

Utiliser deux ou plus de personnes pour déplacer et installer le four.

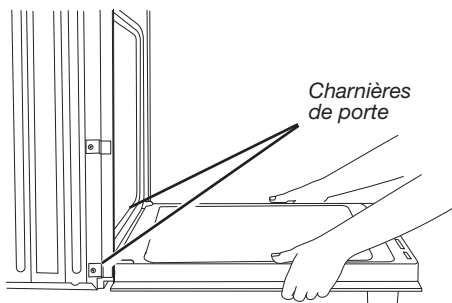
Le non-respect de cette instruction peut causer une blessure au dos ou d'autre blessure.

2. Pour éviter d'endommager le plancher, placer le four sur une feuille de carton avant l'installation. Pour soulever l'appareil, ne pas prendre prise sur la poignée ou sur une autre partie de l'avant du châssis.
3. Enlever les matériaux d'emballage et les rubans adhésifs du four. S'assurer de bien conserver les cornières de protection et autres matériaux pouvant être requis pour l'installation.
4. Enlever le matériel à l'intérieur du sachet de documentation.
5. Retirer et mettre de côté les grilles, accessoires et autres pièces qui se trouvent à l'intérieur du four.
6. Approcher le four et la feuille de carton de l'emplacement final du four.

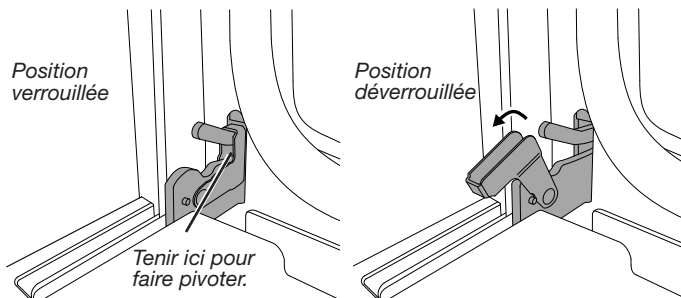
Enlever la ou les portes du four

IMPORTANT : Retirer la porte du four avec les 2 mains. Pour les fours doubles, répéter le procédé pour chaque porte.

1. Avant de retirer la porte du four, préparer une surface sur laquelle la poser. Cette surface doit être plate et recouverte d'une couverture douce. On peut aussi utiliser les cornières de l'emballage.
2. Ouvrir complètement la porte du four.



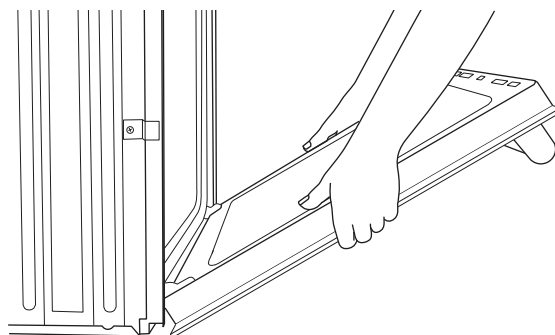
3. Trouver les loquets de charnière de la porte du four dans les deux angles de la porte ; faire pivoter les loquets de charnière vers la porte du four jusqu'à la position de déverrouillage. Si le loquet de charnière de porte n'est pas complètement tourné (voir l'illustration B), la porte ne se retirera pas correctement.



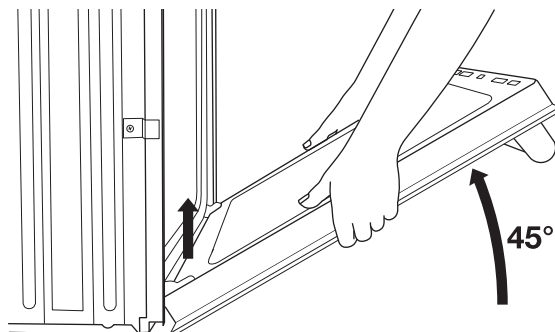
A. Loquet de charnière de la porte du four en position de verrouillage

B. Loquet de charnière de la porte du four en position de déverrouillage partiel

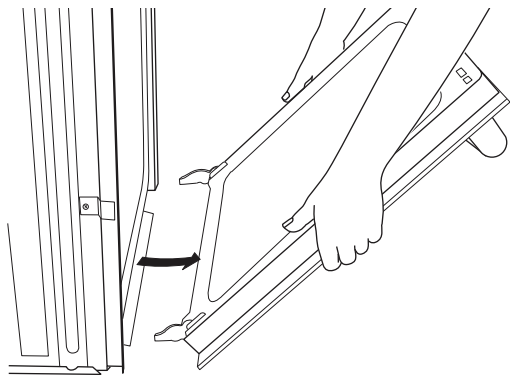
4. Commencer à fermer doucement la porte. La porte s'arrêtera en position partiellement fermée.



5. Saisir les bords de la porte du four avec les 2 mains. Fermer la porte du four légèrement dépassé la position d'arrêt pour réduire la charge supportée par les loquets, puis tirer la porte de four vers le haut.



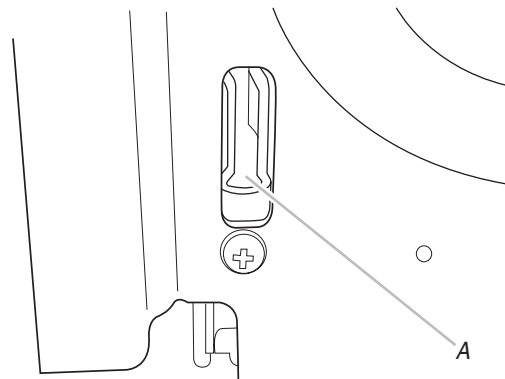
- Tirer la porte du four vers soi et enlever la porte. Vous devrez peut-être basculer doucement la porte d'un côté et de l'autre en la tirant.



- Garder la porte du four à part sur la surface de travail couverte en la faisant reposer sur sa poignée.
- Pour continuer l'installation du four, aller à la section "Positionner les pieds du four pour des ouvertures de découpe dans l'armoire".

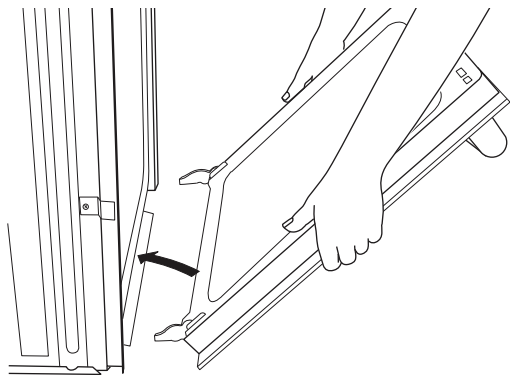
Réinstaller la ou les portes du four

- Saisir les bords latéraux de la porte par le milieu avec les 2 mains. Se placer face à la cavité du four.
- Repérer les encoches situées de chaque côté du cadre avant du four pour les loquets de charnière de la porte.

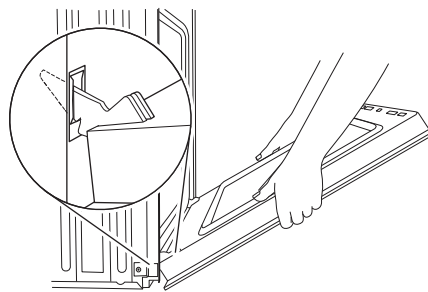


A. Encoche située dans la cavité du four pour le loquet de charnière de la porte

- Saisir les bords de la porte du four avec les 2 mains. Avec un angle de 45°, insérer les charnières en même temps et pousser la porte du four dans les fentes de la cavité du four pour la réinstaller. Si nécessaire, basculer doucement la porte d'un côté et de l'autre en la poussant.

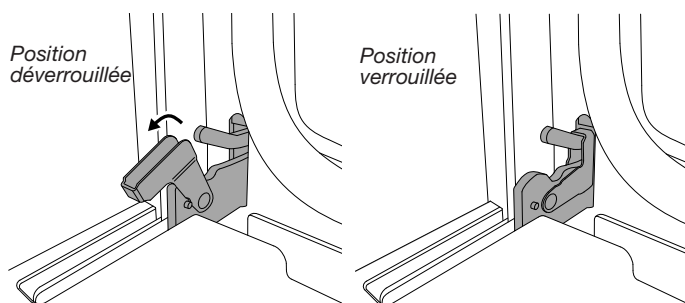


- S'assurer que les encoches de charnière de la porte sont engagées au fond des fentes de la cavité du four.



IMPORTANT : Ne pas fermer la porte à cette étape pour ne pas endommager la charnière de la porte.

- Abaisser la porte du four jusqu'à ce qu'elle soit complètement ouverte. Si la porte du four ne s'ouvre pas complètement à un angle de 90°, répéter les étapes 1 à 3.
- Identifier les loquets de charnière de la porte du four dans les angles de la porte ; faire pivoter les loquets de charnière vers la cavité du four jusqu'à la position de verrouillage.



- Après que les charnières de la porte ont été verrouillées, fermer doucement la porte. La fermeture de la porte ne doit pas être forcée.
- Une fois les charnières correctement installées et la porte fermée, l'espace entre la porte et le tableau de commande doit être égal. Si l'un des côtés de la porte du four est plus bas que l'autre, la charnière de ce côté-ci n'est pas correctement installée.

Voir les sections "Enlever la ou les portes du four" et "Réinstaller la ou les portes du four".

Positionner les pieds du four pour des ouvertures de découpe dans l'armoire

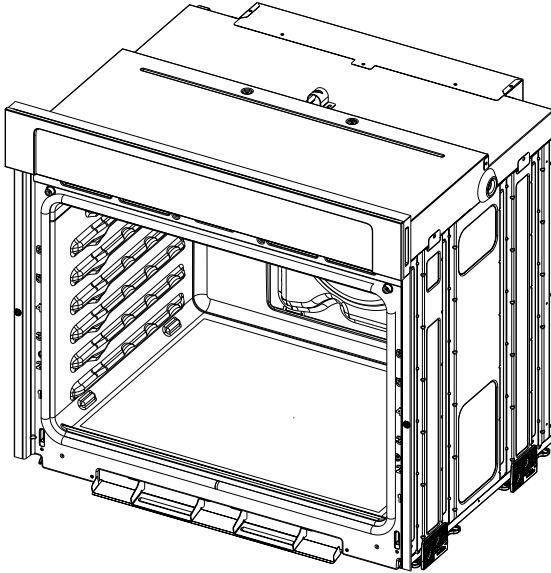
Fours simples

En modifiant le positionnement des pieds du four, on peut installer un four simple dans une découpe d'une hauteur comprise entre 26 ¹⁵/₁₆ po et 29 ⁷/₁₆ po (68,4 cm et 74,8 cm). Consulter les instructions suivantes pour adapter la position des pieds à la taille de la découpe.

La hauteur de la découpe peut être comprise entre 27 ⁵/₈ po et 28 ⁵/₈ po (70,2 cm et 72,7 cm)

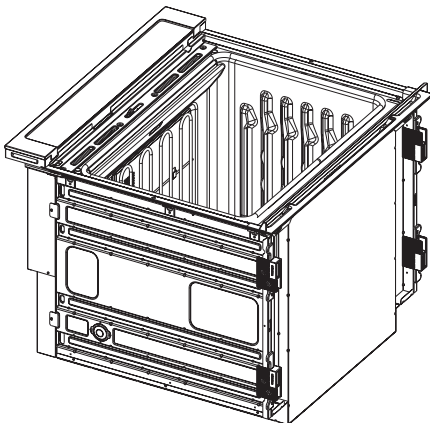
Les pieds du four n'ont pas besoin d'être remplacés. Ils sont correctement positionnés à leur sortie d'usine.

Voir la section "Raccordement électrique"



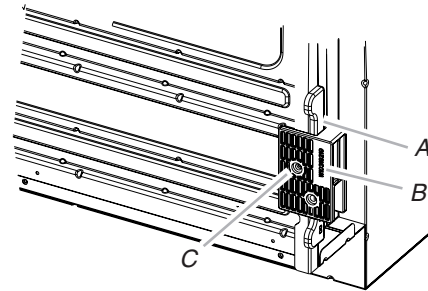
La hauteur de la découpe peut être comprise entre 26 ¹⁵/₁₆ po et 27 ¹¹/₁₆ po (68,4 cm et 70,3 cm)

1. À l'aide d'au moins 2 personnes, placer le four sur sa partie arrière, sur une surface couverte.



2. Retirer le pied de la cale d'espacement avant droite en ôtant la vis no 8-18 x ³/₈ po (9,5 mm).

REMARQUE : Ne pas retirer la cale d'espacement.

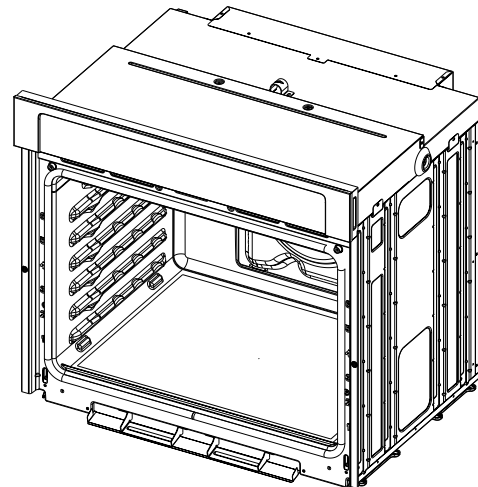


A. Cale d'espacement

B. Pied

C. Vis no 8-18 x ³/₈ po (9,5 mm)

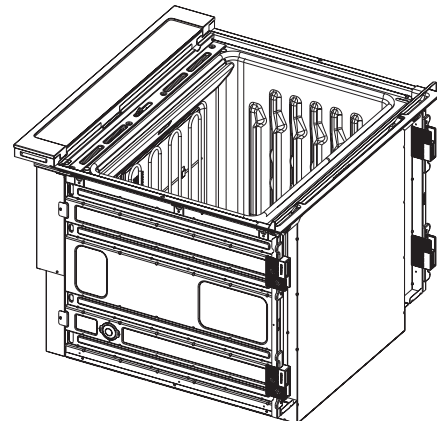
3. Enlever les pieds installés du côté avant gauche, arrière droit et arrière gauche du four en suivant la même méthode.
4. À l'aide d'au moins 2 personnes, placer le four en position verticale.



5. Voir la section "Raccordement électrique"

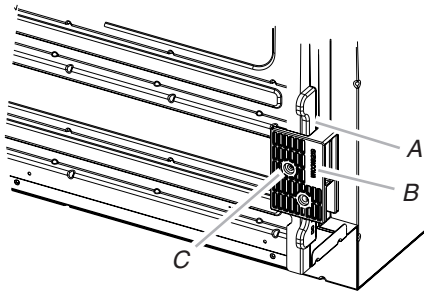
La hauteur de la découpe peut être comprise entre 28 ¹¹/₁₆ po et 29 ⁷/₁₆ po (72,8 cm et 74,8 cm)

1. À l'aide d'au moins 2 personnes, placer le four sur sa partie arrière, sur une surface couverte.



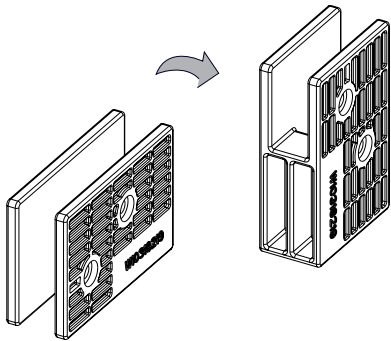
- Retirer le pied de la cale d'espace avant droite en ôtant la vis no 8-18 x $\frac{3}{8}$ po (9,5 mm).

REMARQUE : Ne pas retirer la cale d'espace.

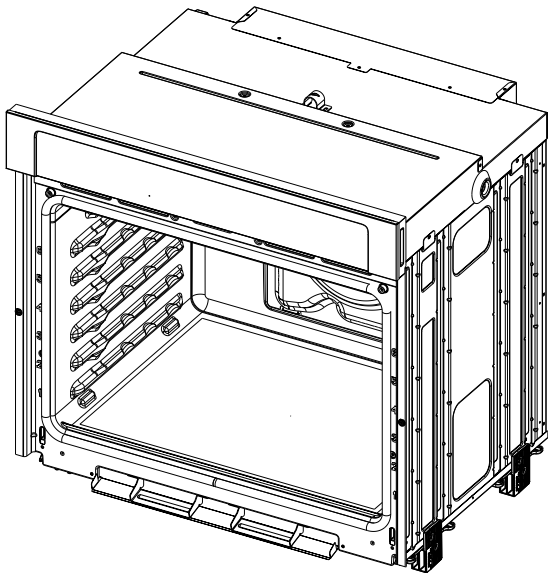


A. Cale d'espace
B. Pied
C. Vis no 8-18 x $\frac{3}{8}$ po (9,5 mm)

- Faire pivoter le pied à 90° de façon à ce que le côté court du pied soit orienté vers le sommet du four.



- Réinstaller le pied de la cale d'espace à l'aide de la vis de droite en utilisant la vis no 8-18 x $\frac{3}{8}$ po (9,5 mm) précédemment retirée.
- Enlever, faire pivoter et réinstaller les pieds installés du côté avant gauche, arrière droit et arrière gauche du four en suivant la même méthode.
- À l'aide d'au moins 2 personnes, placer le four en position verticale.



- Voir la section "Raccordement électrique".

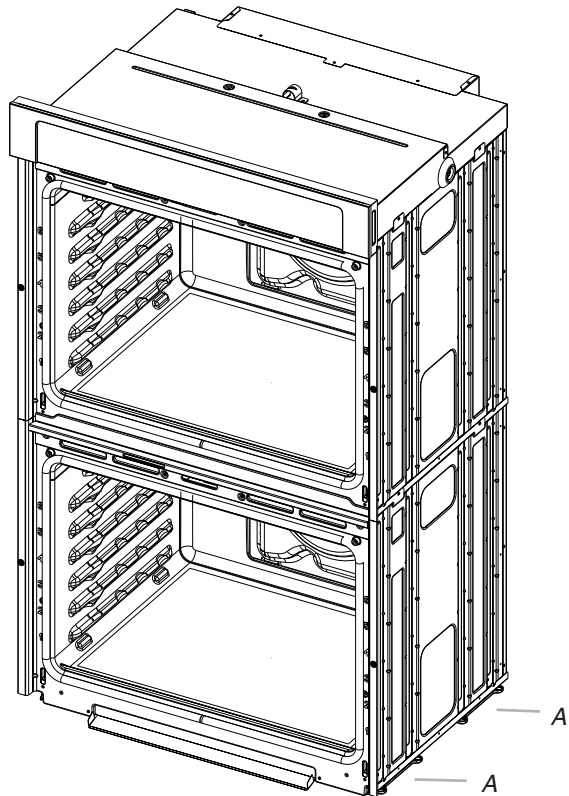
Fours doubles

En modifiant le positionnement des pieds du four, on peut installer un four double dans une découpe d'une hauteur comprise entre 48 $\frac{7}{8}$ po et 52 $\frac{3}{16}$ po (124,1 cm et 132,6 cm). Consulter les instructions suivantes pour adapter la position des pieds à la taille de la découpe.

La hauteur de la découpe peut être comprise entre 48 $\frac{7}{8}$ po et 50 $\frac{7}{16}$ po (124,1 cm et 128,1 cm)

Il n'est pas nécessaire d'installer les pieds du four. Le four a été correctement configuré à sa sortie d'usine.

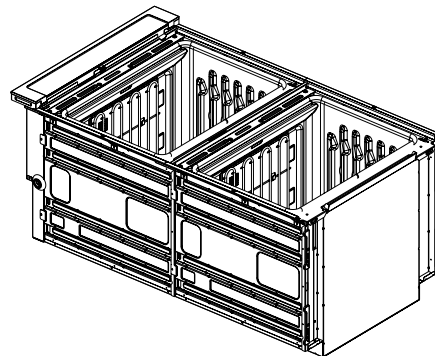
REMARQUE : Ne pas retirer les cales d'espace. Voir la section "Raccordement électrique".



A. Cales d'espace

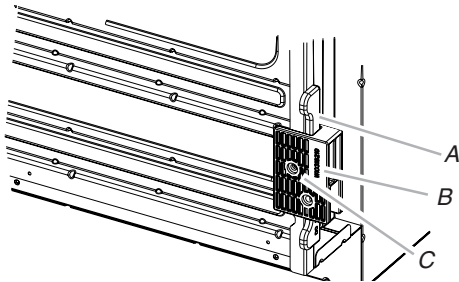
La hauteur de la découpe peut être comprise entre 50 $\frac{1}{2}$ po et 51 $\frac{1}{8}$ po (128,2 cm et 129,9 cm)

- À l'aide d'au moins 2 personnes, placer le four sur sa partie arrière, sur une surface couverte.



2. Installer un pied sur la cale d'espacement arrière gauche avec une vis no 8-18 x $\frac{3}{8}$ po (9,5 mm).

REMARQUE : Positionner le pied de façon à ce que le côté long du pied soit orienté vers le sommet du four.

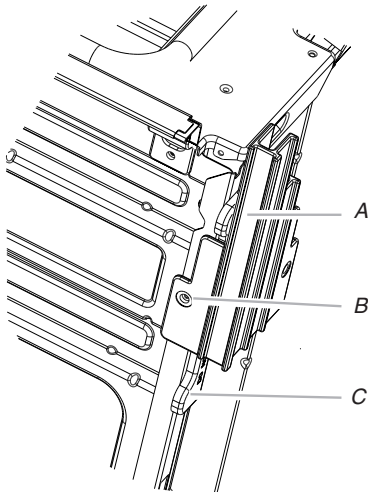


- A. Cale d'espacement
B. Pied
C. Vis no 8-18 x $\frac{3}{8}$ po (9,5 mm)

3. De la même manière, installer un pied sur le coin arrière droit du four.

4. Installer un pied avant sur la cale d'espacement avant gauche avec une vis no 8-18 x $\frac{3}{8}$ po (9,5 mm).

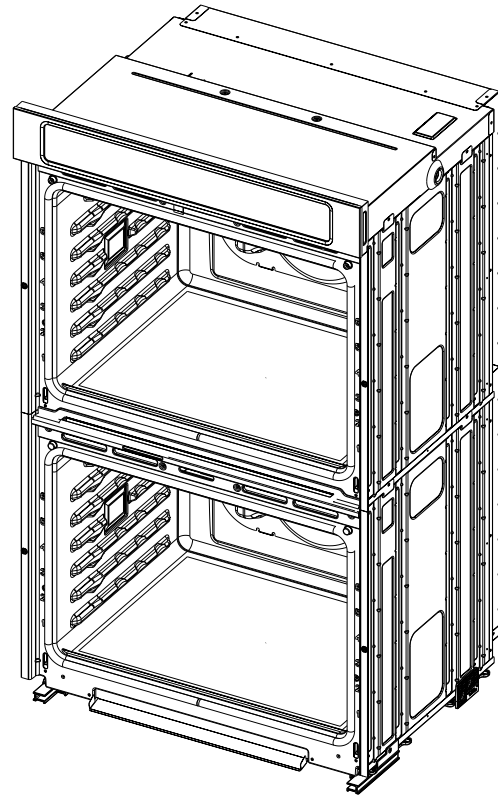
REMARQUE : Positionner le pied de façon à ce que le côté long du pied soit orienté vers l'intérieur du four.



- A. Pied avant
B. Vis no 8-18 x $\frac{3}{8}$ po (9,5 mm)
C. Cale d'espacement

5. De la même manière, installer un pied avant sur le coin avant droit du four.

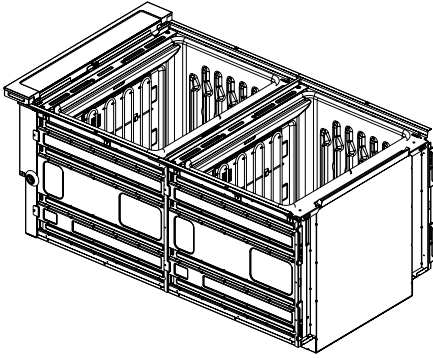
6. À l'aide d'au moins 2 personnes, placer le four en position verticale.



7. Voir la section "Raccordement électrique".

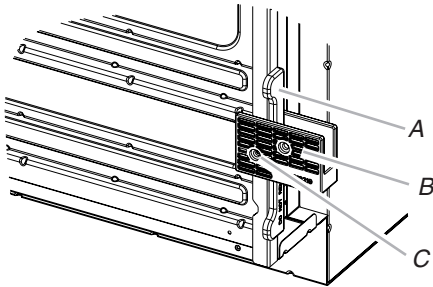
La hauteur de la découpe peut être comprise entre 51 ³/₁₆ po et 52 ³/₁₆ po (130 cm et 132,6 cm)

1. À l'aide d'au moins 2 personnes, placer le four sur sa partie arrière, sur une surface couverte.



2. Installer un pied sur la cale d'espacement arrière gauche avec une vis no 8-18 x ³/₈ po (9,5 mm).

REMARQUE : Positionner le pied de façon à ce que le court du pied soit orienté vers le sommet du four.

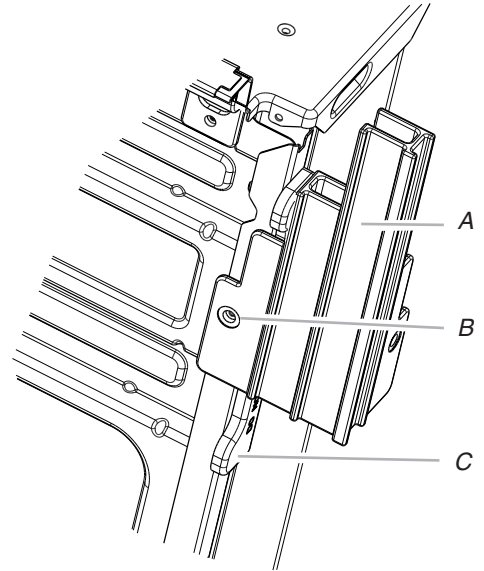


A. Cale d'espacement
B. Pied
C. Vis no 8-18 x ³/₈ po (9,5 mm)

3. De la même manière, installer un pied sur le coin arrière droit du four.

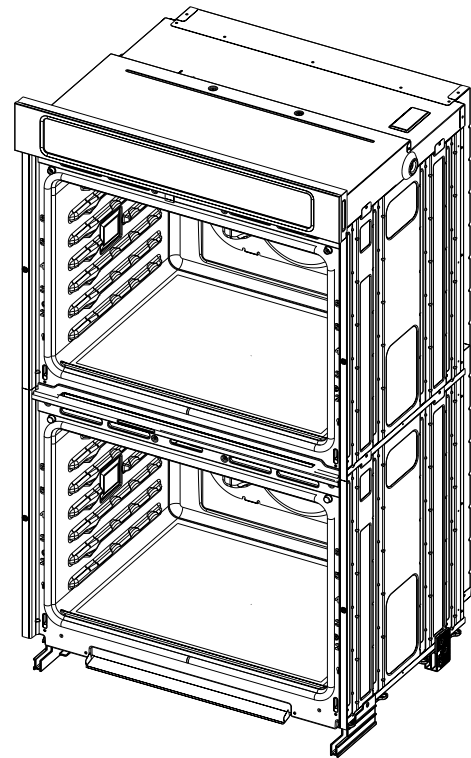
4. Installer un pied avant sur le côté avant gauche avec une vis no 8-18 x ³/₈ po (9,5 mm).

REMARQUE : Positionner le pied de façon à ce que le côté long du pied soit orienté vers le sommet du four.



A. Pied avant
B. Vis no 8-18 x ³/₈ po (9,5 mm)
C. Cale d'espacement

5. De la même manière, installer un pied avant sur le coin avant droit du four.
6. À l'aide d'au moins 2 personnes, placer le four en position verticale.



7. Voir la section "Raccordement électrique".

Raccordement électrique

Fours doubles

⚠ AVERTISSEMENT



Risque de choc électrique

Déconnecter la source de courant électrique avant l'entretien.

Utiliser du fil en cuivre de calibre 8.

Relier le four à la terre.

Le non-respect de ces instructions peut causer un décès, un incendie ou un choc électrique.

Fours simples

⚠ AVERTISSEMENT



Risque de choc électrique

Déconnecter la source de courant électrique avant d'entreprendre le travail.

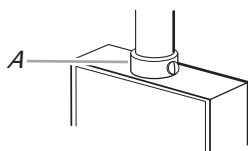
Utiliser du fil en cuivre de calibre 12.

Relier le four à la terre.

Le non-respect de ces instructions peut causer un décès, un incendie ou un choc électrique.

Le câblage d'alimentation de ce four comporte un conducteur neutre (blanc) et un conducteur vert (ou nu) de liaison à la terre connecté à la caisse ; ces deux conducteurs sont torsadés.

1. Déconnecter la source de courant électrique.
2. Placer le conduit de câble flexible depuis le four jusqu'à l'espace d'installation dans l'armoire.
3. Le cas échéant, enlever le couvercle du boîtier de connexion.
4. Installer un connecteur de conduit (homologation UL ou CSA) sur le boîtier de connexion.

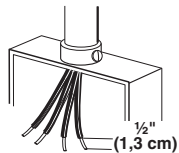


A. Connecteur de conduit (homologation UL ou CSA)

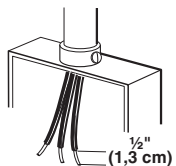
5. Acheminer le conduit de câble flexible depuis le four jusqu'au boîtier de connexion – utiliser un connecteur de conduit (homologation UL ou CSA).
6. Serrer les vis sur le connecteur de conduit.
7. Voir le tableau "Options de raccordement électrique" pour terminer l'installation correspondant à votre type de raccordement électrique.

Tableau des options de raccordement électrique

Si le domicile comporte :	Voir la section :
4 conducteurs	Câble à 4 conducteurs depuis l'alimentation électrique du domicile

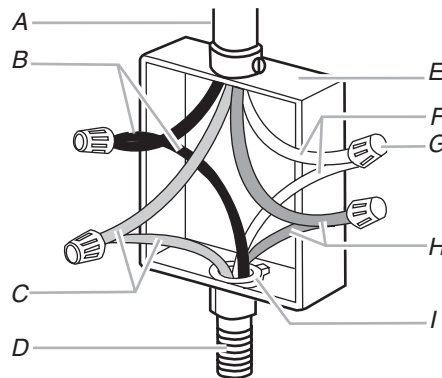


3 conducteurs	Câble à 3 conducteurs depuis l'alimentation électrique du domicile
---------------	--



Câble à 4 conducteurs depuis l'alimentation électrique du domicile

IMPORTANT : Utiliser le câble à 4 conducteurs provenant de l'alimentation électrique du domicile aux États-Unis lorsque les codes ne permettent pas la mise à la terre par l'intermédiaire du conducteur neutre, en cas de nouvelle installation avec alimentation par un circuit secondaire (1996 NEC), dans les résidences mobiles et les véhicules récréatifs, dans une nouvelle construction et au Canada.

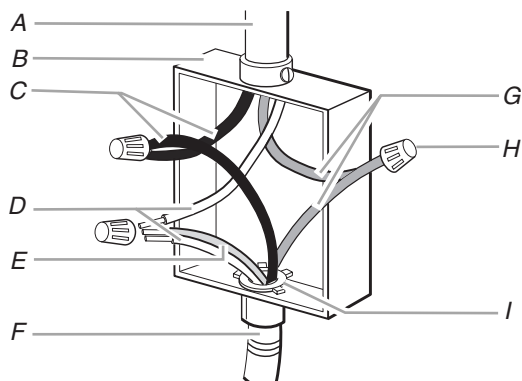


- | | |
|---|---|
| A. Câble depuis l'alimentation électrique du domicile | F. Conducteurs blancs |
| B. Conducteurs noirs | G. Connecteurs de fils (homologation UL) |
| C. Conducteurs rouges | H. Conducteurs verts (ou nus) de liaison à la terre |
| D. Câble flexible à 4 conducteurs depuis le four | I. Connecteur de conduit (homologation UL ou CSA) |
| E. Boîtier de connexion | |

1. Connecter ensemble les 2 conducteurs noirs (B) avec un connecteur de fils (homologation UL).
2. Connecter ensemble les 2 conducteurs rouges (C) avec un connecteur de fils (homologation UL).
3. Détorsader le conducteur blanc du conducteur vert (ou nu) de liaison à la terre provenant du four.
4. Connecter ensemble les 2 conducteurs blancs (F) avec un connecteur de fils (homologation UL).
5. Connecter le conducteur vert (ou nu) de liaison à la terre (H) du câble du four au conducteur vert (ou nu) de liaison à la terre dans le boîtier de connexion – utiliser un connecteur de fils (homologation UL).
6. Installer le couvercle du boîtier de connexion.

Câble à 3 conducteurs depuis le point Câble à 3 conducteurs depuis l'alimentation électrique du domicile – É.-U. seulement

IMPORTANT : Utiliser le câble à 3 conducteurs depuis l'alimentation électrique du domicile lorsque les codes locaux autorisent un tel raccordement.



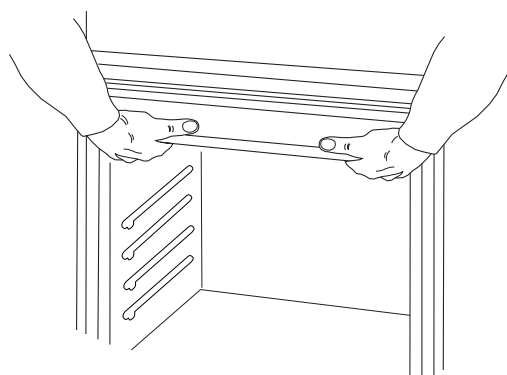
- | | |
|---|---|
| A. Câble depuis l'alimentation électrique du domicile | F. Câble flexible à 4 conducteurs depuis le four |
| B. Boîte de connexion | G. Conducteurs rouges |
| C. Conducteurs noirs | H. Connecteurs de fils (homologation UL) |
| D. Conducteurs blancs | I. Connecteur de conduit (homologation UL ou CSA) |
| E. Conducteur vert (ou nu) de liaison à la terre (depuis le four) | |

1. Connecter ensemble les 2 connecteurs noirs (C) avec un connecteur de fils (homologation UL).
2. Connecter les 2 conducteurs blancs (D) et le conducteur vert (ou nu) de liaison à la terre (du câble du four) avec un connecteur de fils (homologation UL).
3. Connecter ensemble les 2 connecteurs rouges (G) avec un connecteur de fils (homologation UL).
4. Installer le couvercle du boîtier de connexion.

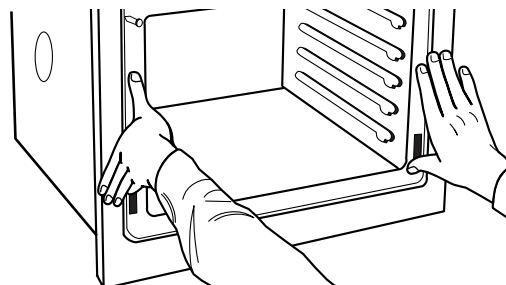
Installer le four

1. À l'aide d'au moins 2 personnes, soulever et placer partiellement le four dans la découpe de l'armoire. Utiliser l'ouverture du four comme zone de prise.

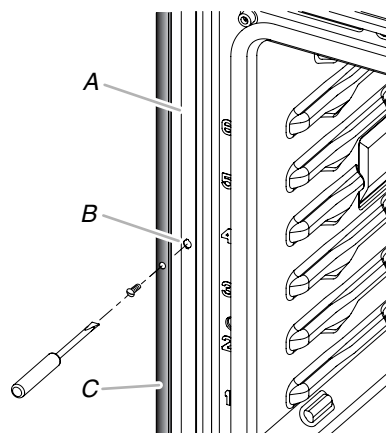
REMARQUE : Pour introduire le four dans l'armoire, pousser contre la zone du joint du four située sur le châssis avant. Ne pas pousser contre les bords externes.



2. Pousser contre la zone du joint du châssis avant pour introduire le four dans l'armoire, jusqu'à ce que la surface arrière du châssis avant soit au contact avec la paroi avant de l'armoire.



3. Pousser complètement le four dans l'armoire et le centrer dans la découpe de l'armoire.
4. Retirer le ruban adhésif des garnitures avant noires.
 - Fixer solidement le four à l'armoire à l'aide des vis no 8-14 x 3/4 po (1,9 cm) fournies.
 - Insérer les vis dans les trous de la garniture noire en les alignant avec les trous du châssis du four. Ne pas serrer excessivement les vis.

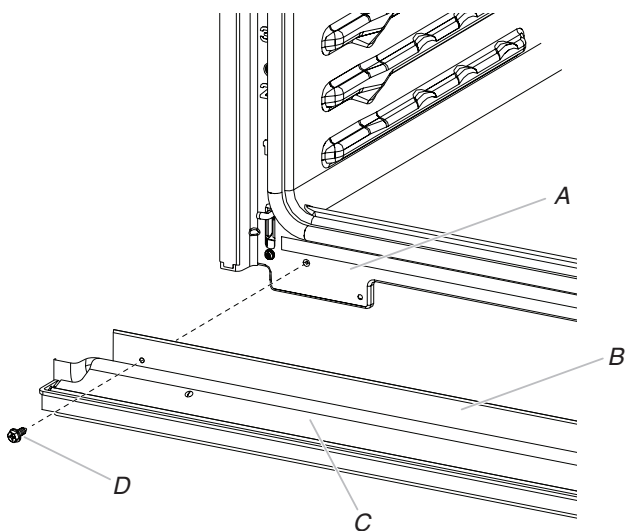


- | |
|-------------------------------|
| A. Châssis du four |
| B. Trou du châssis du four |
| C. Élément de garniture noire |

5. L'évent inférieur et la garniture de l'évent inférieur (nécessaires lorsque le four est installé avec les pieds en position haute) sont livrés dans l'emballage en mousse situé sur le dessus du four.

Pour installer l'évent inférieur uniquement, voir les instructions suivantes. Pour installer l'évent inférieur et la garniture de l'évent inférieur (pour les installations dont les pieds sont en position haute), voir les instructions de l'étape 6.

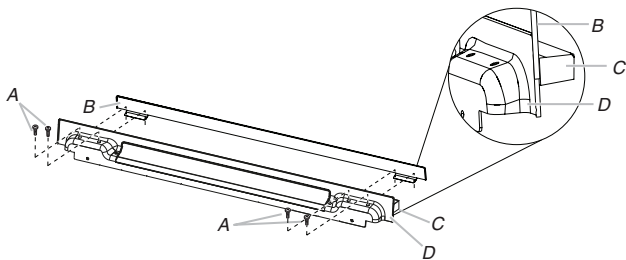
- Aligner l'onglet de l'évent (B) avec le châssis du four (A) comme illustré.
- Avec une vis no 8-18 x $\frac{3}{8}$ po (9,5 mm) (D) pour chaque côté du support de l'évent (B), fixer solidement l'évent au four.



A. Châssis du four
B. Onglet de l'évent
C. Évent du four
D. Vis no 8-18 x $\frac{3}{8}$ po (9,5 mm)

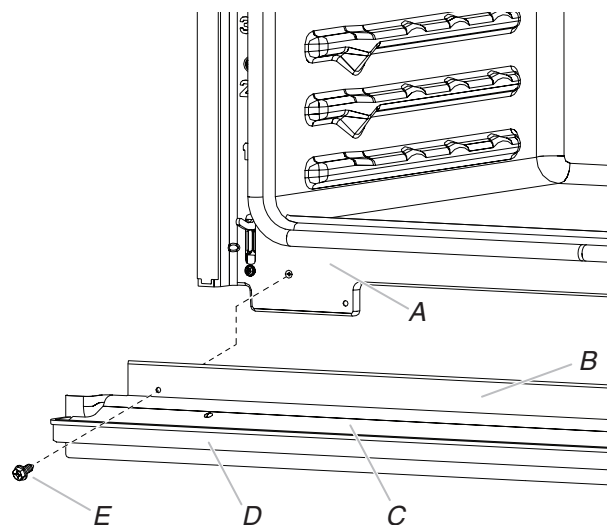
6. Pour les modèles dont les pieds sont installés en position haute, la garniture de l'évent inférieur doit également être installée. Pour l'installation, procéder selon les instructions suivantes.

- Faire fléchir la pièce d'évent supérieure (C) en l'éloignant de la pièce d'évent inférieure (D) pour faire glisser la garniture de l'évent inférieur (B) entre elles. Une certaine force sera peut-être nécessaire pour faire fléchir la garniture d'évent supérieure (C) en l'éloignant de la garniture d'évent inférieure (D). Une certaine force sera peut-être également nécessaire pour faire fléchir la garniture d'évent inférieure (B) et la glisser en place. S'assurer que les trous de vis sont correctement alignés entre les 2 pièces. Voir l'illustration suivante.
- Installer la garniture de l'évent inférieur (B) à l'aide de deux vis no 8-18 x $\frac{1}{4}$ po (6,4 mm) (D) de chaque côté.



A. Vis no 8-18 x $\frac{1}{4}$ po (6,4 mm)
B. Garniture de l'évent inférieur
C. Pièce d'évent supérieure
D. Pièce d'évent inférieure

- Aligner l'onglet de l'évent (B) avec le châssis du four (A) comme illustré.
- Avec une vis no 8-18 x $\frac{3}{8}$ po (9,5 mm) (E) pour chaque côté du support de l'évent (B), fixer solidement l'évent au four.



A. Châssis du four
B. Onglet de l'évent
C. Évent du four
D. Garniture de l'évent inférieur
E. Vis no 8-18 x $\frac{3}{8}$ po (9,5 mm)

7. Réinstaller les grilles du four.
8. Réinstaller la porte du four. Voir la section "Réinstaller la ou les portes du four".
9. Vérifier que la porte s'ouvre et se ferme facilement. Si ce n'est pas le cas, répéter la procédure pour enlever et reposer la porte. Voir la section "Préparer le four encastré".
10. Répéter cette procédure pour la porte du four inférieur.
11. Rétablir l'alimentation électrique.
12. Le tableau d'affichage s'allume et se met en marche.
13. Si le tableau d'affichage ne s'allume pas, consulter la section "Garantie" du Guide d'utilisation et d'entretien.

Terminer l'installation

1. Vérifier que toutes les pièces sont maintenant installées. S'il reste une pièce, passer en revue les différentes étapes pour découvrir laquelle aurait été oubliée.
2. Vérifier la présence de tous les outils.
3. Éliminer/recycler tous les matériaux d'emballage.
4. Pour utiliser et nettoyer le four, lire le Guide d'utilisation et d'entretien.

Vérifier le fonctionnement d'un four simple et double

1. Mettre l'appareil sous tension.
2. Lors de la première utilisation, régler l'horloge et toute autre préférence réglable, le cas échéant. Consulter le Guide d'utilisation et d'entretien pour plus de renseignements.
3. Lancer un programme de cuisson au gril. Voir les Instructions d'utilisation pour obtenir des instructions.

REMARQUE : Au cours des premières utilisations du four, il est normal qu'il dégage des odeurs et de la fumée.

4. Attendre 5 minutes, puis vérifier la chaleur.

Si le four ne fonctionne pas, vérifier ce qui suit :

- Le fusible domestique est intact et bien visé ou le disjoncteur n'est pas ouvert.
 - La prise de courant est correctement alimentée.
 - Voir la section "Dépannage" des instructions d'utilisation.
5. Placer la grille coulissante SatinGlide™ pour four intelligent, ainsi que les accessoires dans la position de grille du bas pour s'assurer que la bonne grille accessoire se trouve au fond.
 6. Pour les fours doubles, appuyer sur UPPER CANCEL/ LOWER CANCEL (annulation four supérieur/annulation four inférieur). Pour les fours simples, appuyer sur CANCEL (annulation).

Pour obtenir de l'assistance ou une visite de service :

Consulter la section "Garantie" du guide d'utilisation et d'entretien.

