

BCG111, BCG211,
BCGSGA
INSTRUCTIONS
INSTRUCTIONS
INSTRUCCIONES



KitchenAid®

TABLE OF CONTENTS

BLADE COFFEE GRINDER SAFETY	3	KITCHENAID® SPICE GRINDER ACCESSORY OPERATING INSTRUCTIONS (OPTIONAL).....	7
IMPORTANT SAFEGUARDS.....	3	COFFEE GRINDING TIPS.....	8
ELECTRICAL REQUIREMENTS.....	3	SPICE GRINDING TIPS.....	9
KITCHENAID® BLADE COFFEE GRINDER FEATURES.....	4	COFFEE GRINDER CARE	9
KITCHENAID® SPICE GRINDER ACCESSORY FEATURES	5	PROOF OF PURCHASE AND PRODUCT REGISTRATION.....	9
KITCHENAID® BLADE COFFEE GRINDER OPERATING INSTRUCTIONS	6	WARRANTY	10

TABLE DES MATIÈRES

SÉCURITÉ DU MOULIN À CAFÉ À LAME	12	INSTRUCTIONS D'UTILISATION DU MOULIN À ÉPICES KITCHENAID (ACCESSOIRE) (FACULTATIF).....	17
MESURES DE SÉCURITÉ IMPORTANTES...	12	ASTUCES POUR MOULIN À CAFÉ	18
SPÉCIFICATIONS ÉLECTRIQUES	13	ASTUCES POUR MOUDRE DES ÉPICES	19
CARACTÉRISTIQUES DU MOULIN À CAFÉ À LAME KITCHENAID®	14	ENTRETIEN DU MOULIN À CAFÉ	19
CARACTÉRISTIQUES DU MOULIN À ÉPICES KITCHENAID® (ACCESSOIRE)	15	PREUVE D'ACHAT ET ENREGISTREMENT DU PRODUIT	19
INSTRUCTIONS D'UTILISATION DU MOULIN À CAFÉ À LAME KITCHENAID®	15	GARANTIE	20

ÍNDICE

SEGURIDAD DEL MOLINILLO DE CAFÉ CON CUCHILLAS	22	INSTRUCCIONES PARA EL FUNCIONAMIENTO DEL ACCESORIO MOLINILLO DE ESPECIAS DE KITCHENAID® (OPCIONAL)	27
SALVAGUARDIAS IMPORTANTES	22	CONSEJOS PARA MOLER CAFÉ	28
REQUISITOS ELÉCTRICOS	23	CONSEJOS PARA MOLER ESPECIAS.....	29
CARACTERÍSTICAS DEL MOLINILLO DE CAFÉ CON CUCHILLAS DE KITCHENAID®	24	CUIDADO DEL MOLINILLO DE CAFÉ.....	29
CARACTERÍSTICAS DEL ACCESORIO MOLINILLO DE ESPECIAS DE KITCHENAID®	25	PRUEBA DE COMPRA Y REGISTRO DEL PRODUCTO.....	29
INSTRUCCIONES PARA EL FUNCIONAMIENTO DEL MOLINILLO DE CAFÉ CON CUCHILLAS DE KITCHENAID®	25	GARANTÍA	30

BLADE COFFEE GRINDER SAFETY

State of California Proposition 65 Warnings:

WARNING: This product contains one or more chemicals known to the State of California to cause cancer.

WARNING: This product contains one or more chemicals known to the State of California to cause birth defects or other reproductive harm.

IMPORTANT SAFEGUARDS

When using electrical appliances, basic safety precautions should always be followed, including the following:

- Read all instructions.
- To protect against risk of electric shock, do not put Coffee Grinder in water or other liquid.
- Close supervision is necessary when any appliance is used by or near children.
- Unplug Coffee Grinder from outlet when not in use, before putting on or taking off parts, and before cleaning.
- Avoid contact with moving parts.
- Do not operate any appliance with a damaged cord or plug, or after the appliance malfunctions, or is dropped or damaged in any manner. Return appliance to the nearest authorized service facility for examination, repair, or electrical or mechanical adjustment.
- The use of attachments not recommended or sold by KitchenAid may cause fire, electric shock, or injury.
- Do not use outdoors.
- Do not let cord hang over edge of table or counter, or touch hot surfaces.
- Check hopper for presence of foreign objects before using.
- This product is designed for household use only.
- Do not place on or near a hot gas or electric burner or in a heated oven.
- Do not use appliance for other than intended use.

SAVE THESE INSTRUCTIONS

ELECTRICAL REQUIREMENTS

Volts: 120 Volts AC only

Hertz: 60 Hz

NOTE: This Coffee Grinder has a grounded plug. To reduce the risk of electrical shock, this plug will fit in an outlet only one way. If the plug does not fit in the outlet, contact a qualified electrician. Do not modify the plug in any way.

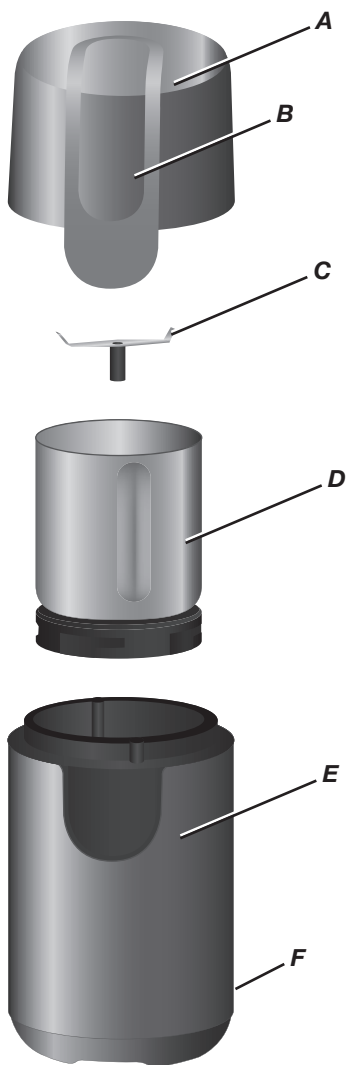
A short power supply cord (or detachable power supply cord) is supplied to reduce the risk resulting from becoming

entangled in or tripping over a longer cord.

If a longer detachable power supply cord or extension cord is used:

- The marked electrical rating of the cord set or extension cord should be at least as great as the electrical rating of the appliance.
- The cord should be arranged so that it will not drape over the countertop or tabletop where it can be pulled on by children or tripped over unintentionally.

KITCHENAID® BLADE COFFEE GRINDER FEATURES



A. Clear Top Cover with fingertip control

Push down on the clear top cover to begin grinding and release to stop grinding. Top cover must be in place to operate grinder. Cover can be washed in the top rack of a dishwasher.

B. Dual Safety Switch System

Dual switch mechanism keeps the coffee grinder from operating until the top cover is correctly positioned over side guides on the motor housing.

C. Stainless Steel Coffee Grinder Blade

Blade is mounted inside the stainless steel bowl.

D. Stainless Steel 4-oz. (125 mL) Capacity Bowl

Bowl has measurement markings etched inside for ease of processing the amount of beans needed for 4, 8, 10, or 12 cups of coffee. It locks into the motor housing with a clockwise turn. Bowl can be washed in a dishwasher.

E. Heavy Duty Motor Housing

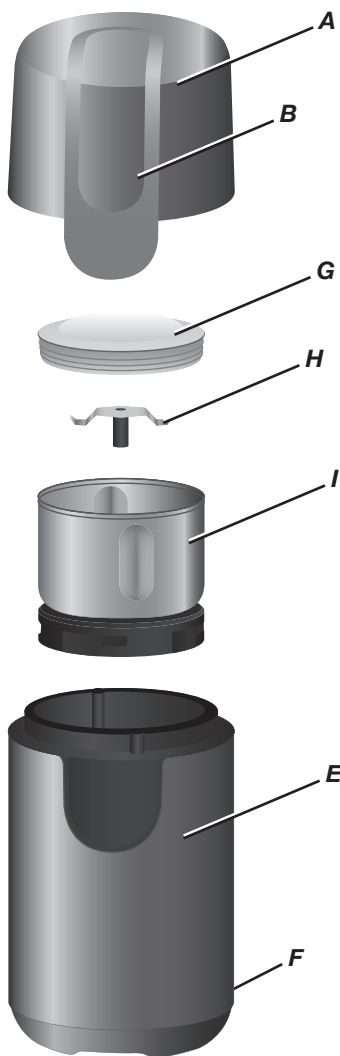
Keeps grinder stable during operation.

F. Round Power Cord (not shown)

Cleans easily.

KITCHENAID® SPICE GRINDER*

ACCESSORY FEATURES



G. Solid Spice Grinder Bowl Lid

Place this lid on the spice grinder bowl before placing the clear top cover when grinding spices.

H. Stainless Steel Blade

Blade is mounted inside the stainless steel bowl.

I. Stainless Steel 2-oz. (62 mL) Capacity Bowl

Bowl can be used for up to 2 oz. of spices. (See the “Spice Grinding Tips” section for suggested amounts.) The bowl locks into the motor housing with a clockwise turn. Bowl can be washed in a dishwasher.

*The Spice Grinder accessory (BCGSGA) can only be used with Coffee Grinder models BCG111 and BCG211.

KITCHENAID® BLADE COFFEE GRINDER

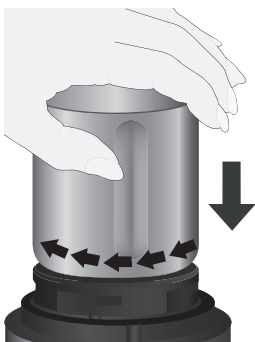
OPERATING INSTRUCTIONS

Before First Use

Wash bowl and top cover in hot, soapy water. Rinse and dry. Handle the blade gently. Bowl and top cover can also be washed in the dishwasher (top rack only).

To Use Blade Coffee Grinder:

1. Be sure the Coffee Grinder is unplugged. Make sure the inside of the top cover is free of coffee grinds or residue.
2. Secure the bowl to the motor housing by placing the bowl on top and turning clockwise to lock into place.

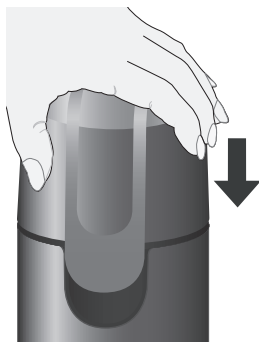


3. A scale is provided inside the bowl for the KitchenAid recommended amount of beans to grind for 4, 8, 10, and 12 cups of coffee. Fill the bowl to your desired cup size with 4 cups minimum or 12 cups maximum level. Various bean blends and bean sizes can cause differences in fill level and grind times.
4. Position the top cover over the bowl so that the lid's latch aligns with the motor housing base and the side guides fall into place.

NOTE: Make sure both cover and bowl are in position; otherwise, the Coffee Grinder will not operate.

5. Plug power cord into electrical outlet.
6. Press down on the top cover to start processing. For optimum grinding results, do not pulse the top cover. Continue grinding until all the beans are ground to the desired

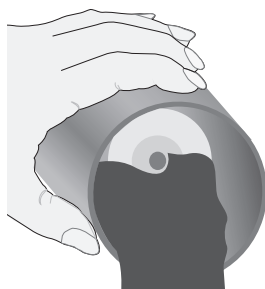
consistency, or see the "Suggested Grinding Chart" in the "Coffee Grinding Tips" section.



7. To stop processing, release pressure on the top cover.
8. Unplug the Coffee Grinder.
9. Wait until the blade has stopped rotating and remove top cover.
10. Unlock bowl by turning it counterclockwise. Remove bowl from the motor housing.

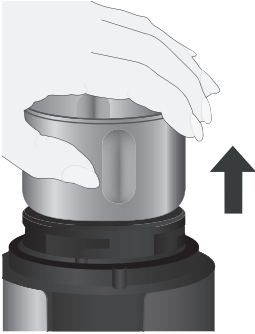


11. Pour out ground coffee.



KITCHENAID® SPICE GRINDER OPERATING INSTRUCTIONS* (OPTIONAL)

1. Remove the coffee bowl from the grinder base.



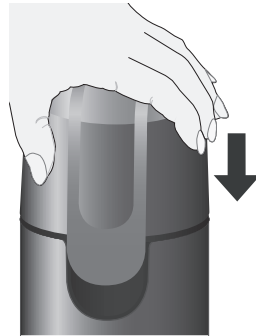
2. Fill the spice grinder with the desired spices, then put on the solid spice grinder lid.



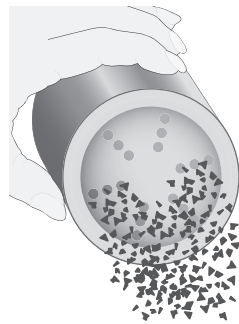
3. Place the spice grinder bowl into the grinder base and twist clockwise to lock into place.



4. Place the top cover of the coffee grinder over the solid spice grinder lid, making sure the top cover aligns with the motor housing base in the same way it does when grinding coffee. Then, press down on the top cover to run the coffee grinder to grind spices to the desired consistency. For optimum grinding results, do not pulse the top cover.



5. After grinding, remove the top cover and solid spice grinder lid. Then place the shaker lid and dispense your freshly ground spices.



*The Spice Grinder accessory (BCGSGA) can only be used with Coffee Grinder models BCG111 and BCG211.

COFFEE GRINDING TIPS

1. Grind only beans you will immediately use for freshest tasting coffee.
2. Adjust amount of coffee beans and grinding time to suit your own personal taste. Shorter grinding time results in coarser grinds. Longer grinding times result in finer grinds, but can overheat the coffee grinds and valuable coffee flavors can be lost. (For optimum grinding results, do not pulse top cover.)
3. KitchenAid does not recommend using this grinder to grind beans for pump espresso-type machines.
4. The Suggested Grinding Chart shows recommended grinding times at various levels for automatic drip coffee makers and French press machines.
5. A scale is provided inside the bowl for the KitchenAid recommended amount of beans to grind for 4, 8, 10, and 12 cups of coffee. Fill the bowl to your desired cup size with 4 cups minimum or 12 cups maximum level. Various bean blends and bean sizes can cause differences in fill level and grind times.

Suggested Grinding Chart		
For automatic drip coffee makers and French press machines*		
Fill to	Max. amount	Suggested grinding time
12-Cup Fill Line	14 Tbsp.	Process for 21 seconds
10-Cup Fill Line	12 Tbsp.	Process for 19 seconds
8-Cup Fill Line	9 Tbsp.	Process for 17 seconds
4-Cup Fill Line	5 Tbsp.	Process for 14 seconds

*French press machines require a coarse grind. For optimum results, process beans continuously until desired grind size is achieved.

SPICE GRINDING TIPS

Suggested Grinding Chart		
Spice/Nut	Max. amount	Suggested grinding time
Black peppercorns	2 oz.	Process for 25 seconds
Cumin seeds	2 oz.	Process for 30 seconds
Whole allspice	1.5 oz.	Process for 25 seconds
Szechuan peppercorns	1 oz.	Process for 30 seconds
Coriander seeds	0.5 oz.	Process for 10 seconds

COFFEE GRINDER CARE

1. Always unplug Coffee Grinder before cleaning.
 2. Remove the bowl and top cover. Wash in hot, soapy water, rinse and dry. Bowl and top cover can also be washed in the dishwasher (top rack only). After removing from the dishwasher, allow to cool before reassembling.
 3. Wipe the motor housing clean with a damp, soft cloth.
 4. Wipe cord with warm, sudsy cloth; then wipe clean with a damp cloth. Dry with a soft cloth.
 5. Reassemble your coffee grinder after cleaning.
- NOTE:** Do not use abrasive cleaners. Do not immerse the motor housing in water.

PROOF OF PURCHASE AND PRODUCT REGISTRATION

Always keep a copy of the sales receipt showing the date of purchase of your Coffee Grinder. Proof of purchase will assure you of in-warranty service.

Before you use your Coffee Grinder, please fill out and mail your product registration card packed with the unit.

This card will enable us to contact you in the unlikely event of a product safety notification and assist us in complying with the provisions of the Consumer Product Safety Act. This card does not verify your warranty. Please complete the following for your personal records:

Model Number _____

Serial Number _____

Date Purchased _____

Store Name and Location _____

KitchenAid® Coffee Grinder Warranty for the 50 United States, the District of Columbia, Puerto Rico, and Canada

This warranty extends to the purchaser and any succeeding owner for Coffee Grinders operated in the 50 United States, the District of Columbia, Puerto Rico, and Canada.

Length of Warranty:	One Year Full Warranty from date of purchase.
KitchenAid Will Pay for Your Choice of:	<p>Hassle-Free Replacement of your Coffee Grinder. See the next page for details on how to arrange for service, or call the Customer eXperience Center toll-free at 1-800-541-6390.</p> <p>OR</p> <p>The replacement parts and repair labor costs to correct defects in materials and workmanship. Service must be provided by an Authorized KitchenAid Service Center.</p>
KitchenAid Will Not Pay for:	<ul style="list-style-type: none"> A. Repairs when Coffee Grinder is used in other than normal single family home use. B. Damage resulting from accident, alteration, misuse or abuse. C. Any shipping or handling costs to deliver your Coffee Grinder to an Authorized Service Center. D. Replacement parts or repair labor costs for Coffee Grinders operated outside the 50 United States, District of Columbia, Puerto Rico, and Canada.
<p>DISCLAIMER OF IMPLIED WARRANTIES; LIMITATION OF REMEDIES</p> <p>IMPLIED WARRANTIES, INCLUDING TO THE EXTENT APPLICABLE WARRANTIES OF MERCHANTABILITY OR FITNESS FOR A PARTICULAR PURPOSE, ARE EXCLUDED TO THE EXTENT LEGALLY PERMISSIBLE. ANY IMPLIED WARRANTIES THAT MAY BE IMPOSED BY LAW ARE LIMITED TO ONE YEAR, OR THE SHORTEST PERIOD ALLOWED BY LAW. SOME STATES AND PROVINCES DO NOT ALLOW LIMITATIONS OR EXCLUSIONS ON HOW LONG AN IMPLIED WARRANTY OF MERCHANTABILITY OR FITNESS LASTS, SO THE ABOVE LIMITATIONS OR EXCLUSIONS MAY NOT APPLY TO YOU.</p> <p>IF THIS PRODUCT FAILS TO WORK AS WARRANTED, CUSTOMER'S SOLE AND EXCLUSIVE REMEDY SHALL BE REPAIR OR REPLACEMENT ACCORDING TO THE TERMS OF THIS LIMITED WARRANTY. KITCHENAID AND KITCHENAID CANADA DO NOT ASSUME ANY RESPONSIBILITY FOR INCIDENTAL OR CONSEQUENTIAL DAMAGES. This warranty gives you specific legal rights and you may also have other rights which vary from state to state or province to province.</p>	



Hassle-Free Replacement Warranty – 50 United States, District of Columbia, and Puerto Rico

We're so confident the quality of our products meets the exacting standards of KitchenAid that, if your Coffee Grinder should fail within the first year of ownership, KitchenAid will arrange to deliver an identical or comparable replacement to your door free of charge and arrange to have your original Coffee Grinder returned to us. Your replacement unit will also be covered by our one year limited warranty. Please follow these instructions to receive this quality service.

If your Coffee Grinder should fail within the first year of ownership, simply call our

toll-free Customer eXperience Center at **1-800-541-6390** Monday through Friday. Please have your original sales receipt available when you call. Proof of purchase will be required to initiate the claim. Give the consultant your complete shipping address. (No P.O. Box numbers, please.)

When you receive your replacement Coffee Grinder, use the carton and packing materials to pack up your original Coffee Grinder.

Hassle-Free Replacement Warranty – Canada

We're so confident the quality of our products meets the exacting standards of the KitchenAid® brand that, if your Coffee Grinder should fail within the first year of ownership, KitchenAid Canada will replace your Coffee Grinder with an identical or comparable replacement. Your replacement unit will also be covered by our one year limited warranty. Please follow these instructions to receive this quality service.

If your Coffee Grinder should fail within the first year of ownership, take the Coffee Grinder or ship collect to an Authorized KitchenAid Service Centre. In the carton

include your name and complete shipping address along with a copy of the proof of purchase (register receipt, credit card slip, etc.). Your replacement Coffee Grinder will be returned prepaid and insured. If you are unable to obtain satisfactory service in this manner, call our toll-free Customer eXperience Centre at **1-800-807-6777**.

Or write to us at:
Customer eXperience Centre
KitchenAid Canada
200 - 6750 Century Ave.
Mississauga, ON L5N 0B7

Arranging for Service after the Warranty Expires, or Ordering Accessories and Replacement Parts

In the United States and Puerto Rico:

For service information, or to order accessories or replacement parts, call toll-free at **1-800-541-6390** or write to: Customer eXperience Center, KitchenAid Portable Appliances, P.O. Box 218, St. Joseph, MI 49085-0218

Outside the United States and Puerto Rico:

Consult your local KitchenAid dealer or the store where you purchased the Coffee Grinder for information on how to obtain service.

For service information in Canada:

Call toll-free **1-800-807-6777**.

Or write to:
Customer eXperience Centre
KitchenAid Canada
200 - 6750 Century Ave.
Mississauga, ON L5N 0B7

SÉCURITÉ DU MOULIN À CAFÉ À LAME

Avertissements de la proposition 65 de l'État de Californie :

AVERTISSEMENT : Ce produit contient au moins un produit chimique connu par l'État de Californie pour être à l'origine de cancers.

AVERTISSEMENT : Ce produit contient au moins un produit chimique connu par l'État de Californie pour être à l'origine de malformations et autres déficiences de naissance.

MESURES DE SÉCURITÉ IMPORTANTES

Lors de l'utilisation d'appareils électriques, il faut toujours observer certaines précautions élémentaires de sécurité, y compris les suivantes :

- Lire toutes les instructions.
- Pour éviter le risque d'électrocution, ne pas immerger le moulin à café dans de l'eau ou tout autre liquide.
- Une surveillance attentive s'impose lorsqu'un appareil ménager est utilisé par ou à proximité d'enfants.
- Débrancher le moulin à café lorsqu'il n'est pas utilisé, avant d'y ajouter des pièces ou d'en enlever et avant de le nettoyer.
- Éviter tout contact avec les pièces en mouvement.
- Ne pas faire fonctionner un appareil si le cordon ou la prise est endommagé(e), si l'appareil ne fonctionne pas correctement, s'il tombe ou s'il est endommagé d'une quelconque façon. Retourner l'appareil au centre de service agréé le plus proche pour examen, réparation ou réglage électrique ou mécanique.
- L'utilisation d'accessoires non recommandés ou non vendus par KitchenAid peut causer un incendie, un choc électrique ou des blessures.
- Ne pas utiliser à l'extérieur.
- Ne pas laisser le cordon pendre sur le côté d'une table ou d'un comptoir, ou toucher une surface chaude.
- Vérifier s'il y a des corps étrangers dans la trémie avant utilisation.
- Ce produit est conçu uniquement pour un usage domestique.
- Ne pas placer sur ou près d'un brûleur électrique ou à gaz chaud, ou dans un four chaud.
- Ne pas utiliser l'appareil pour un autre usage que celui pour lequel il est conçu.

CONSERVEZ CES INSTRUCTIONS

SPÉCIFICATIONS ÉLECTRIQUES

Volts: 120 volts C.A. uniquement

Hertz: 60 Hz

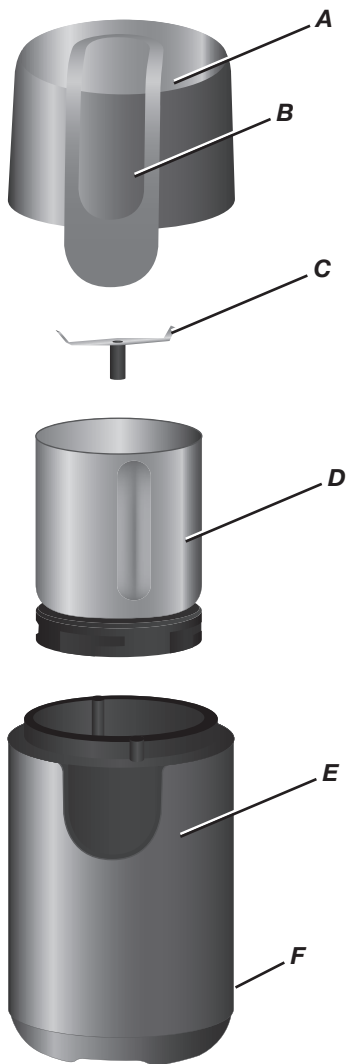
REMARQUE : Ce moulin à café comporte une fiche polarisée. Pour réduire le risque de choc électrique, cette fiche ne peut être insérée dans une prise que dans un seul sens. Si la fiche ne s'imbrique pas complètement dans la prise, appeler un électricien qualifié. Ne pas modifier la prise de quelque manière que ce soit.

Un cordon d'alimentation court est fourni – cela réduit le risque d'emmêlement ou de trébuchement que peut susciter l'emploi d'un cordon d'alimentation long. Des cordons de rallonge sont disponibles et peuvent être utilisés s'ils sont employés avec précaution.

Si l'on utilise un cordon d'alimentation long ou un cordon de rallonge long :

- Les caractéristiques électriques indiquées pour le cordon de rallonge doivent être au moins aussi élevées que les caractéristiques électriques de l'appareil.
- Le cordon doit être disposé de sorte qu'il ne pende pas par dessus le plan de travail ou la table de cuisine, où des enfants pourraient tirer dessus ou trébucher dessus involontairement.

CARACTÉRISTIQUES DU MOULIN À CAFÉ À LAME KITCHENAID®



A. Couvercle supérieur essus transparent avec contrôle par simple toucher

Appuyer sur le couvercle supérieur transparent pour commencer le meulage et relâcher pour l'interrompre. Le couvercle doit être en place pour faire fonctionner le moulin. Le couvercle peut être lavé dans le panier supérieur du lave-vaisselle.

B. Système de double commutateur de sécurité

Le mécanisme de double commutateur empêche le moulin à café de fonctionner tant que le couvercle n'est pas correctement positionné sur les glissières du logement du moteur.

C. Lame du moulin à café en acier inoxydable

La lame est montée à l'intérieur du bol en acier inoxydable.

D. Bol en acier inoxydable avec capacité de 4 oz (125 mL)

L'intérieur du bol comporte des graduations incurvées pour pouvoir préparer facilement la quantité de grains de café nécessaire pour 4, 8, 10 ou 12 tasses de café. Il s'emboîte dans le logement du moteur d'un tour dans le sens horaire. Le bol est lavable au lave-vaisselle.

E. Logement de moteur renforcé

Permet au moulin à café de rester stable pendant son fonctionnement.

F. Cordon d'alimentation rond (non illustré)

Facile à nettoyer.

CARACTÉRISTIQUES DU MOULIN À ÉPICES KITCHENAID® (ACCESSOIRE)



G. Couvercle opaque du bol du moulin à épices

Pour moudre des épices, placer ce couvercle sur le bol du moulin à épices avant de placer le couvercle supérieur transparent.

H. Lame du moulin à épices en acier inoxydable

La lame est montée à l'intérieur du bol en acier inoxydable.

I. Bol en acier inoxydable de 2 oz (62 mL)

Le bol peut être utilisé pour moudre jusqu'à 2 oz d'épices. (Voir la section "Astuces pour moudre des épices" pour connaître les quantités suggérées). Le verrouillage du bol dans le logement du moteur s'effectue par rotation dans le sens horaire. Le bol peut être lavé au lave-vaisselle.

*Le moulin à épices (BCGSGA) peut être utilisé uniquement avec les modèles de moulins à café BCG111 et BCG211.

INSTRUCTIONS D'UTILISATION DU MOULIN À CAFÉ À LAME KITCHENAID®

Avant la première utilisation

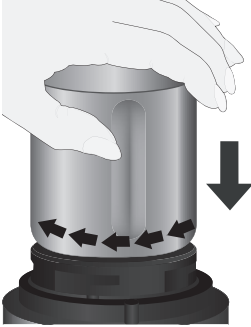
Laver le bol et le couvercle dans de l'eau chaude et savonneuse. Rincer et sécher. Manipuler la lame avec précaution. Le bol et le couvercle peuvent aussi être lavés au lave-vaisselle (panier supérieur uniquement).

Utilisation du moulin à café à lame :

1. S'assurer que le moulin à café est débranché. S'assurer que l'intérieur du couvercle ne comporte aucun résidu ou grain de café moulu.

INSTRUCTIONS D'UTILISATION DU MOULIN À CAFÉ À LAME KITCHENAID®

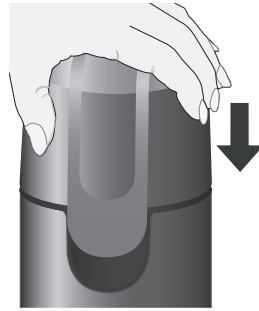
2. Bien fixer le bol au logement du moteur en plaçant le bol dessus et en le tournant dans le sens horaire pour le verrouiller.



3. L'intérieur du bol est gradué, ce qui permet de mesurer la quantité de grains de café à mouler recommandée par KitchenAid pour obtenir 4, 8, 10 ou 12 tasses de café. Remplir le bol jusqu'au niveau correspondant à la taille de la tasse, avec un minimum de 4 tasses et un maximum de 12 tasses. L'association de différents types de grains de café et de différentes tailles de grains de café peut entraîner des différences de niveau de remplissage et de durée de meulage.
4. Positionner le couvercle sur le bol de façon à ce que le loquet du couvercle soit aligné sur la base du logement du moteur et que les glissières latérales s'emboîtent.

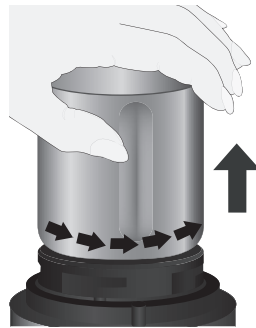
REMARQUE : S'assurer que le couvercle et le bol sont en position; sans quoi le moulin à café ne fonctionnera pas.

5. Brancher le cordon d'alimentation électrique dans la prise de courant.
6. Appuyer sur le couvercle supérieur pour commencer à moudre. Pour un meulage idéal, ne pas appuyer par impulsion sur le couvercle. Continuer à moudre jusqu'à ce que tous les grains aient atteint la consistance désirée, ou se référer au "Tableau de mouture suggérée" dans la section "Astuces pour



moulin à café".

7. Pour interrompre le meulage, relâcher la pression sur le couvercle.
8. Débrancher le moulin à café.
9. Attendre que la lame cesse de tourner et retirer le couvercle.
10. Déverrouiller le bol en le tournant dans le sens antihoraire. Retirer le bol du logement du moteur.

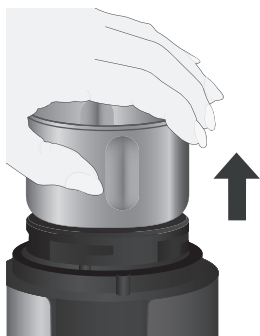


11. Verser le café moulu.



INSTRUCTIONS D'UTILISATION DU MOULIN À ÉPICES* KITCHENAID® (ACCESSOIRE) (FACULTATIF)

1. Retirer le bol du moulin à café du socle du moulin.



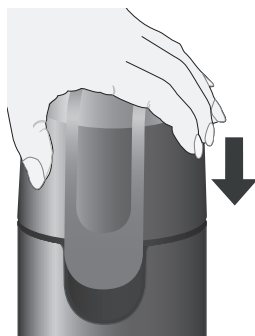
2. Remplir le moulin à épices avec les épices souhaitées, puis placer dessus le couvercle opaque du moulin à épices.



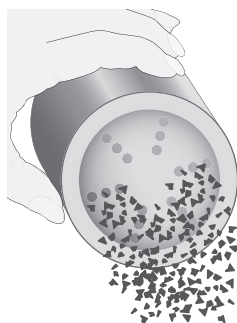
3. Placer le bol du moulin à épices dans le socle du moulin et tourner dans le sens horaire pour verrouiller le bol.



4. Placer le couvercle supérieur du moulin à café sur le couvercle opaque du moulin à épices, en vous assurant que le couvercle supérieur s'aligne avec la base du logement du moteur (de la même manière que lorsque mouline du café). Puis appuyer sur le couvercle supérieur pour mettre en marche le moulin à café et mouliner les épices à la consistance désirée. Pour obtenir des résultats optimaux, ne pas appuyer par impulsion sur le couvercle.



5. Une fois les épices moulues, retirer le couvercle supérieur et le couvercle opaque du moulin à épices. Puis placer le couvercle saupoudreur et distribuer les épices fraîchement moulues.



*Le moulin à épices (BCGSGA) peut être utilisé uniquement avec les modèles de moulins à café BCG111 et BCG211.

ASTUCES POUR MOULIN À CAFÉ

1. Pour un café à l'arôme plus frais, ne meulez que des grains de café que vous utiliserez immédiatement.
2. Ajustez la quantité de grains de café et la durée de meulage pour les adapter à votre goût. Un meulage plus court produira des grains de café plus gros. Un meulage plus long produira des grains de café plus fins, mais les grains risquent de surchauffer et l'arôme du café pourrait perdre certaines subtilités précieuses. (Pour un meulage idéal, ne pas appuyer par impulsion sur le couvercle supérieur).
3. KitchenAid ne recommande pas d'utiliser ce moulin à café pour moudre des grains employés avec des machines de type Expresso.
4. Le tableau de mouture suggérée pour le meulage indique les durées de meulage recommandées pour différents niveaux, que ce soit pour les cafetières automatiques ou les cafetières à piston françaises.
5. L'intérieur du bol est gradué, ce qui permet de mesurer la quantité de grains de café à moudre recommandée par KitchenAid pour obtenir 4, 8, 10 ou 12 tasses de café. Remplir le bol jusqu'au niveau correspondant à la taille de tasse souhaitée avec un minimum de 4 tasses et un maximum de 12 tasses. L'association de différents types de grains de café et de différentes tailles de grains de café peut entraîner des différences de niveau de remplissage et de durée de meulage.

Tableau de mouture suggérée		
Pour les cafetières à filtre automatiques et les cafetières à piston françaises.*		
Remplir jusqu'à	Quantité max.	Durée de mouture suggérée
Ligne de remplissage pour 12 tasses	14 à soupe	Moudre pendant 21 secondes
Ligne de remplissage pour 10 tasses	12 à soupe	Moudre pendant 19 secondes
Ligne de remplissage pour 8 tasses	9 à soupe	Moudre pendant 17 secondes
Ligne de remplissage pour 4 tasses	5 à soupe	Moudre pendant 14 secondes

*Les cafetières à piston françaises nécessitent l'emploi de grains de café moulus grossièrement. Pour des résultats optimaux, moudre les grains à café sans interruption jusqu'à la finesse recherchée.

ASTUCES POUR MOUDRE DES ÉPICES

Tableau de mouture suggérée		
Épices / Noix	Quantité max.	Durée de mouture suggérée
Poivre noir en grains	2 oz.	Moudre pendant 25 secondes
Graines de cumin	2 oz.	Moudre pendant 30 secondes
Piment de la Jamaïque entier	1,5 oz.	Moudre pendant 25 secondes
Poivre du Sichuan en grains	1 oz.	Moudre pendant 30 secondes
Graines de coriandre	0,5 oz.	Moudre pendant 10 secondes

ENTRETIEN DU MOULIN À CAFÉ

1. Toujours débrancher le moulin à café avant de le nettoyer.
2. Retirer le bol et le couvercle supérieur. Laver à l'eau chaude et savonneuse, rincer et sécher. Le bol et le couvercle peuvent aussi être lavés au lave-vaisselle (panier supérieur uniquement). Après les avoir retirés du lave-vaisselle, les laisser refroidir avant de les assembler.
3. Nettoyer le logement du moteur en l'essuyant avec un chiffon doux humide.
4. Essuyer le cordon avec un chiffon trempée dans de l'eau tiède et moussante, puis essuyer avec un chiffon humide. Sécher avec un chiffon doux.
5. Réassembler le moulin à café après l'avoir nettoyé.

REMARQUE : Ne pas utiliser de nettoyeurs abrasifs. Ne pas immerger le logement du moteur dans l'eau.

PREUVE D'ACHAT ET ENREGISTREMENT DU PRODUIT

Veillez toujours conserver une copie du ticket de caisse indiquant la date d'achat du moulin à café. La preuve d'achat vous garantit le bénéfice du service après-vente.

Avant d'utiliser le moulin à café, veuillez remplir et expédier la carte d'enregistrement du produit emballée avec l'appareil. Grâce à cette carte,

nous pourrions vous contacter dans l'éventualité improbable d'un avis de sécurité concernant le produit; ceci nous aidera aussi à nous conformer aux dispositions de la loi sur la sécurité des produits de consommation. Cette carte ne confirme pas votre garantie. Veuillez remplir ce qui suit pour vos dossiers personnels :

Numéro de modèle _____


Numéro de série _____

Date d'achat _____

Nom et adresse du magasin _____

Garantie et dépannage du moulin à café KitchenAid® pour les 50 États des États-Unis, le district fédéral de Columbia, Porto Rico et le Canada

La présente garantie couvre l'acheteur et les propriétaires suivants du moulin à café lorsqu'il est utilisé dans les 50 États des États-Unis, le district fédéral de Columbia, Porto Rico et au Canada.

Durée de la garantie :	Garantie complète d'un an à compter de la date d'achat.
KitchenAid prendra en charge les éléments suivants à votre choix : 	<p>Un remplacement satisfaction totale du moulin à café. Voir la page suivante pour plus de détails concernant la procédure à suivre pour un dépannage, ou appeler le numéro sans frais 1-800-541-6390 du centre de satisfaction de la clientèle.</p> <p>OU</p> <p>Les frais de pièces de rechange et de main-d'œuvre pour corriger les vices de matériaux et de fabrication. Le service doit être fourni par un centre de réparation agréé KitchenAid.</p>
KitchenAid ne paiera pas pour :	<p>A. Les réparations lorsque le moulin à café est utilisé à des fins autres que l'usage unifamilial normal.</p> <p>B. Les dommages causés par : accident, altération, mésusage ou abus.</p> <p>C. Tout frais d'expédition ou de manutention pour livrer le moulin à café à un centre de réparation agréé.</p> <p>D. Le coût des pièces de rechange ou de la main d'œuvre pour le moulin à café. utilisé à l'extérieur des 50 États des États-Unis, du district fédéral de Columbia, de Porto Rico et du Canada.</p>
<p>CLAUSE D'EXONÉRATION DE RESPONSABILITÉ AU TITRE DES GARANTIES IMPLICITES; LIMITATION DES RECOURS</p> <p>LES GARANTIES IMPLICITES, Y COMPRIS DANS LA MESURE APPLICABLE LES GARANTIES DE QUALITÉ MARCHANDE OU D'APTITUDE À UN USAGE PARTICULIER, SONT EXLUES DANS LA MESURE AUTORISÉE PAR LA LOI. TOUTE GARANTIE IMPLICITE POUVANT ÊTRE IMPOSÉE PAR LA LOI EST LIMITÉE À UN AN, OU À LA PLUS COURTE PÉRIODE AUTORISÉE PAR LA LOI. CERTAINES JURIDICTIONS NE PERMETTENT PAS LA LIMITATION DE LA DURÉE DE VALIDITÉ DES GARANTIES IMPLICITES DE QUALITÉ MARCHANDE OU D'APTITUDE À UN USAGE PARTICULIER; PAR CONSÉQUENT, LES LIMITATIONS OU EXCLUSIONS STIPULÉES DANS LES PRÉSENTES PEUVENT NE PAS VOUS ÊTRE APPLICABLES.</p> <p>SI CE PRODUIT NE FONCTIONNE PAS TEL QUE GARANTI, LE SEUL ET UNIQUE RECOURS DU CLIENT CONSISTE À EN OBTENIR LA RÉPARATION OU LE REMPLACEMENT CONFORMÉMENT AUX TERMES DE LA PRÉSENTE GARANTIE LIMITÉE. KITCHENAID ET KITCHENAID CANADA DÉCLINENT TOUTE RESPONSABILITÉ AU TITRE DES DOMMAGES FORTUITS OU INDIRECTS. Cette garantie vous confère des droits juridiques spécifiques et vous pouvez également jouir d'autres droits qui peuvent varier d'un État à l'autre ou d'une province à l'autre.</p>	

Garantie de remplacement sans difficulté – 50 États des États-Unis, district fédéral de Columbia et Porto Rico

Nous sommes tellement certains que la qualité de nos produits satisfait aux normes rigoureuses de KitchenAid que si le moulin à café cesse de fonctionner au cours de la première année suivant son acquisition, KitchenAid prendra les mesures nécessaires pour faire livrer gratuitement à votre porte un appareil de remplacement identique ou comparable et prendra les dispositions nécessaires pour que le moulin à café d'origine nous soit retourné. L'appareil de remplacement sera également couvert par

notre garantie limitée d'un an. Veuillez suivre ces instructions pour bénéficier de ce service de qualité.

Veuillez avoir votre reçu de vente à portée de main au moment de votre appel. Une preuve d'achat est indispensable pour que votre réclamation puisse être traitée. Fournissez votre adresse de livraison complète au représentant. (Pas de boîte postale).

Garantie de remplacement sans difficulté – Canada

Nous sommes tellement certains que la qualité de nos produits satisfait aux normes rigoureuses de la marque KitchenAid® que si le moulin à café cesse de fonctionner au cours de la première année suivant son acquisition, KitchenAid Canada remplacera le moulin à café par un appareil de rechange identique ou comparable. L'appareil de remplacement sera également couvert par notre garantie limitée d'un an. Veuillez suivre ces instructions pour bénéficier de ce service de qualité. Si le moulin à café cesse de fonctionner durant la première année suivant son acquisition.

Il vous suffit d'appeler le Centre de satisfaction clientèle au numéro sans frais **1-800-807-6777**, du lundi au samedi.

Veuillez avoir votre reçu de vente à portée de main au moment de votre appel. Une preuve d'achat est indispensable pour que votre réclamation puisse être traitée. Fournissez votre adresse de livraison complète au représentant. (Pas de boîte postale)

Si le service que vous obtenez de cette manière n'est pas satisfaisant, appelez notre centre de service à la clientèle au numéro sans frais **1-800-807-6777**.

Ou écrivez-nous à :
Centre eXpérience clientèle
KitchenAid Canada
200 - 6750 Century Ave.
Mississauga, ON L5N 0B7

Obtenir un dépannage une fois la garantie expirée ou commander des accessoires et pièces de rechange

Aux États-Unis et à Porto Rico :

Pour des informations sur le service de dépannage ou pour commander des accessoires ou des pièces de rechange, composer le numéro sans frais **1-800-541-6390** ou écrire à :

Customer Satisfaction Center,
KitchenAid Portable Appliances,
P.O. Box 218, St. Joseph, MI 49085-0218

En dehors des États-Unis et de Porto Rico :

Consulter le revendeur KitchenAid ou le détaillant auprès duquel le moulin à café a été acheté pour obtenir des informations sur le service de dépannage.

Pour des informations concernant toute intervention de dépannage au Canada :
1-800-807-6777

Ou écrire à l'adresse suivante :
Centre eXpérience clientèle
KitchenAid Canada
200 - 6750 Century Ave.
Mississauga, ON L5N 0B7

SEGURIDAD DEL MOLINILLO DE CAFÉ CON CUCHILLAS

Advertencias de la Proposición 65 del estado de California:

ADVERTENCIA: Este producto contiene una o más sustancias químicas identificadas por el estado de California como causantes de cáncer.

ADVERTENCIA: Este producto contiene una o más sustancias químicas identificadas por el estado de California como causantes de defectos congénitos o algún otro tipo de daños en la función reproductora.

SALVAGUARDIAS IMPORTANTES

Al utilizar aparatos eléctricos, debe seguir las precauciones básicas de seguridad, entre las que se incluyen las siguientes:

- Lea todas las instrucciones.
- Para protegerse contra el riesgo de choque eléctrico, no ponga el molinillo de café en agua ni en ningún otro líquido.
- Es necesario supervisar cuidadosamente a los niños cuando usen cualquier aparato o cuando éste se use cerca de ellos.
- Desenchufe el molinillo de café del contacto cuando no esté en uso, antes de colocar o quitar partes y antes de la limpieza.
- Evite tocar las partes que estén en movimiento.
- No utilice ningún electrodoméstico con un cable o enchufe dañado, si el electrodoméstico no ha funcionado correctamente, si se ha caído o si está dañado de alguna forma. Devuelva el electrodoméstico al centro de servicio técnico autorizado más cercano para su inspección, reparación o ajuste eléctrico o mecánico.
- El uso de aditamentos no recomendados o no vendidos por KitchenAid puede provocar un incendio, choque eléctrico o lesiones.
- No lo use al aire libre.
- No deje que el cable cuelgue del borde de una mesa o mostrador ni que toque superficies calientes.
- Revise la tolva antes de usarla por si hay objetos extraños.
- Este producto ha sido diseñado únicamente para uso doméstico.
- No lo coloque cerca de un quemador a gas o eléctrico caliente ni sobre el mismo, ni tampoco en un horno caliente.
- No use el aparato para un uso diferente del que fue diseñado.

GUARDE ESTAS INSTRUCCIONES

REQUISITOS ELÉCTRICOS

Voltios: 120 Voltios, CA solamente

Hertzios: 60 Hz

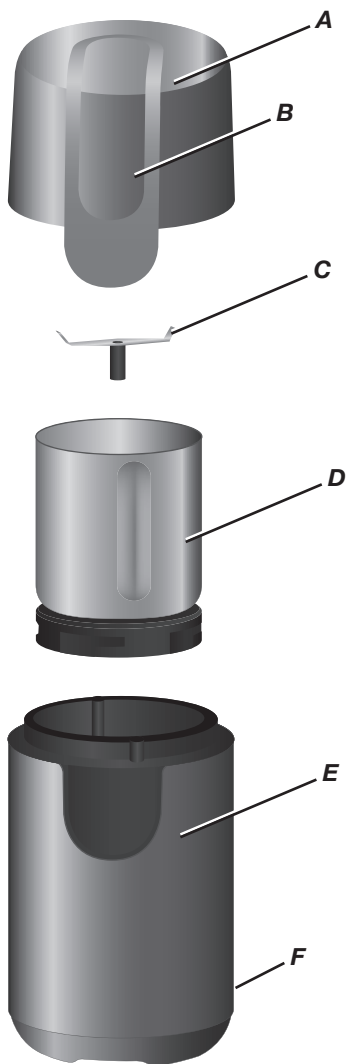
NOTA: Este molinillo de café tiene un enchufe polarizado. Para reducir el riesgo de choque eléctrico, este enchufe encajará en un contacto solamente de una manera. Si el enchufe no encaja por completo en el contacto, póngase en contacto con un electricista competente. No modifique el enchufe de ninguna manera.

Se provee un cable corto de suministro de energía para reducir el riesgo de enredarse o de tropezarse si fuera un cable más largo.

Si se utiliza un cable de suministro de energía más largo o cable de extensión más largo:

- La clasificación eléctrica indicada en el cable de extensión deberá ser por lo menos la misma que la clasificación eléctrica del aparato.
- Deberá arreglarse el cable de manera que no cuelgue sobre el mostrador o la parte superior de la mesa, en donde los niños puedan jalarlo o tropezarse con él accidentalmente.

CARACTERÍSTICAS DEL MOLINILLO DE CAFÉ CON CUCHILLAS DE KITCHENAID®



A. Cubierta superior transparente con control táctil

Presione la cubierta superior transparente hacia abajo para comenzar a moler y suéltela para dejar de moler. La cubierta superior debe estar en su lugar para que el molinillo funcione. La cubierta se puede lavar en la canasta superior de una lavavajillas.

B. Sistema de seguridad de interruptor doble

El mecanismo de interruptor doble no permite que funcione el molinillo de café hasta que la cubierta superior se coloque apropiadamente sobre las guías laterales del alojamiento del motor.

C. Cuchilla de acero inoxidable del molinillo de café

La cuchilla está montada dentro del tazón de acero inoxidable.

D. Tazón de acero inoxidable con capacidad para 4 oz (125 mL)

El tazón tiene marcas para medir grabadas en el interior, las que facilitan el procesar la cantidad de granos necesarios para preparar 4, 8, 10 ó 12 tazas de café. Se asegura en el alojamiento del motor girándolo hacia la derecha. El tazón se puede lavar en una lavavajillas.

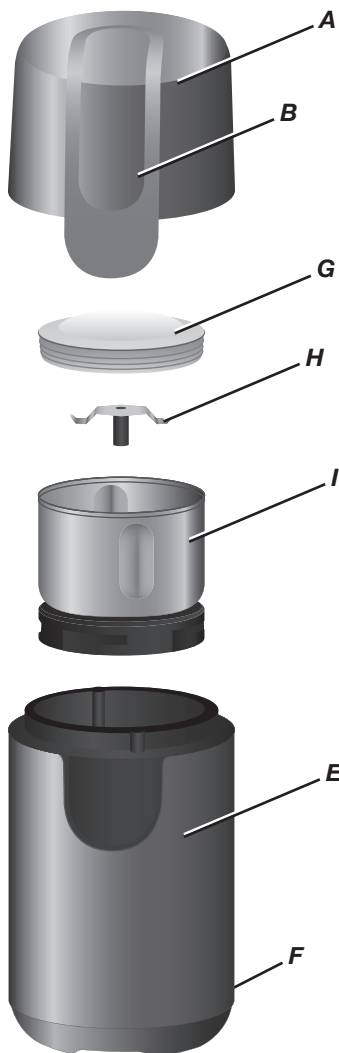
E. Alojamiento de motor resistente

Mantiene el molinillo estable durante el funcionamiento.

F. Cable de suministro de energía redondo (no se muestra)

Es fácil de limpiar.

CARACTERÍSTICAS DEL ACCESORIO MOLINILLO DE ESPECIAS DE KITCHENAID®



G. Tapa sólida del tazón del molinillo de especias
Coloque esta tapa en el tazón del molinillo de especias antes de colocar la cubierta superior transparente al moler especias.

H. Cuchilla de acero inoxidable del molinillo de especias
La cuchilla está montada dentro del tazón de acero inoxidable.

I. Tazón de acero inoxidable con capacidad para 2 oz. (62 mL)
El tazón puede utilizarse con hasta 2 oz. (62 mL) de especias. (Consulte la sección “Consejos para moler especias” para ver las cantidades recomendadas). El tazón se asegura en el alojamiento del motor girándolo hacia la derecha. El tazón se puede lavar en una lavavajillas.

*El accesorio molinillo de especias (BCGSGA) puede utilizarse únicamente con los modelos BCG111 y BCG211 del molinillo de café.

INSTRUCCIONES PARA EL FUNCIONAMIENTO DEL MOLINILLO DE CAFÉ CON CUCHILLAS DE KITCHENAID®

Antes del primer uso

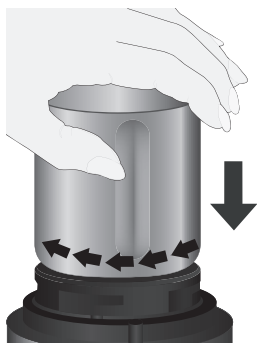
Lave el tazón y la cubierta superior en agua caliente jabonosa. Enjuague y seque. Manipule la cuchilla con cuidado. El tazón y la cubierta superior también pueden lavarse en la lavavajillas (solamente en la canasta superior).

Para utilizar el molinillo de café con cuchillas:

1. Asegúrese de que el molinillo de café esté desconectado. Asegúrese de que no haya café molido ni residuos dentro de la cubierta superior.

INSTRUCCIONES PARA EL FUNCIONAMIENTO DEL MOLINILLO DE CAFÉ CON CUCHILLAS DE KITCHENAID®

2. Asegure el tazón al alojamiento del motor colocándolo en la parte superior y girándolo hacia la derecha para asegurarlo en su lugar.

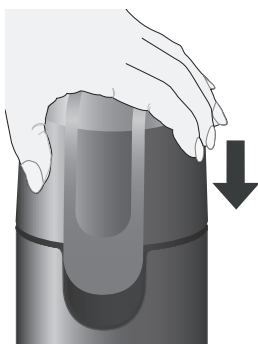


3. Se provee una escala dentro del tazón para medir la cantidad de granos recomendada por KitchenAid para moler granos para 4, 8, 10 y 12 tazas de café. Llene el tazón hasta el nivel necesario para el tamaño de taza deseado; 4 tazas como mínimo o 12 tazas como máximo. Los distintos grados de molido y el tamaño de los granos pueden afectar el nivel de llenado y los tiempos de molido.

4. Coloque la cubierta superior sobre el tazón de modo que el seguro de la cubierta esté alineado con la base del alojamiento del motor y las guías laterales caigan en su lugar.

NOTA: Asegúrese de que tanto la cubierta como el tazón estén en su lugar, de lo contrario el molinillo de café no funcionará.

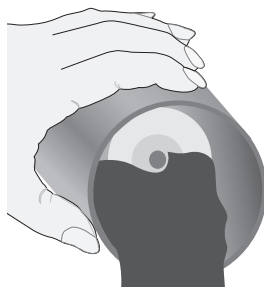
5. Enchufe el cable de suministro de energía en el contacto eléctrico.
6. Presione la cubierta superior hacia abajo para comenzar a procesar. Para obtener resultados de molido óptimos, no presione y suelte repetidamente la cubierta superior. Continúe moliendo hasta que todos los granos se hayan molido al grosor deseado, o consulte el "Cuadro de recomendaciones de molido" en la sección "Consejos para moler café".



7. Para detener el molido, deje de presionar la cubierta superior.
8. Desenchufe el molinillo de café.
9. Espere a que deje de girar la cuchilla y quite la cubierta superior.
10. Libere el tazón girándolo hacia la izquierda. Quite el tazón del alojamiento del motor.

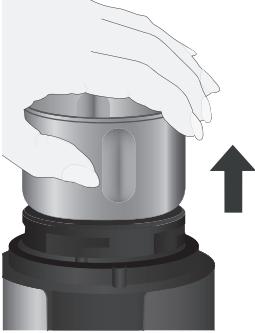


11. Vierta el café molido.



INSTRUCCIONES PARA EL FUNCIONAMIENTO DEL ACCESORIO MOLINILLO DE ESPECIAS DE KITCHENAID®* (OPCIONAL)

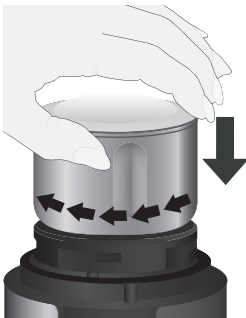
1. Retire el tazón de café de la base del molinillo.



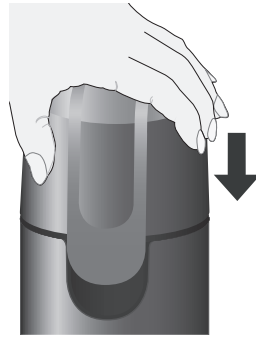
2. Llene el molinillo de especias con las especias deseadas, a continuación, coloque la tapa sólida del molinillo de especias.



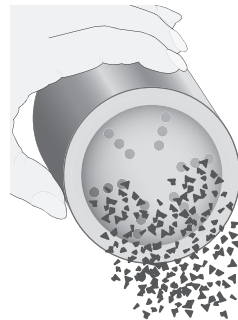
3. Coloque el tazón del molinillo de especias en la base del molinillo y gire hacia la derecha para asegurarlo en su lugar.



4. Coloque la cubierta superior del molinillo de café sobre la tapa sólida del molinillo de especias, asegurándose de que la cubierta superior alinea con la base del alojamiento del motor de la misma manera que cuando moliendo café. A continuación, presione la cubierta superior hacia abajo para poner a funcionar el molinillo de café para moler especias a la consistencia deseada. Para obtener los mejores resultados, no presione y suelte repetidamente la cubierta superior.



5. Después de moler, retire la cubierta superior y la tapa sólida del molinillo de especias. Luego, coloque la tapa del agitador y distribuya las especias recién molidas.



**El accesorio molinillo de especias (BCGSGA) puede utilizarse únicamente con los modelos BCG111 y BCG211 del molinillo de café.

CONSEJOS PARA MOLER CAFÉ

1. Muela solamente los granos que vaya a utilizar en ese momento para obtener el café más fresco.
2. Regule la cantidad de granos de café y el tiempo de molido de acuerdo a su gusto personal. El tiempo de molido corto resulta en un molido más grueso. Los tiempos de molido más prolongado resultan en un molido más fino, pero esto puede sobrecalentar el café y hacer que se pierda el sabor. (Para obtener resultados de molido óptimos, no presione y suelte repetidamente la cubierta superior.)
3. KitchenAid no recomienda usar este molinillo para moler granos para máquinas tipo bomba para café expreso.
4. El cuadro de recomendaciones de molido muestra los tiempos de molido recomendados en varios niveles para las cafeteras automáticas de goteo y las prensas francesas.
5. Se provee una escala dentro del tazón para medir la cantidad de granos recomendada por KitchenAid para moler granos para 4, 8, 10 y 12 tazas de café. Llene el tazón con la cantidad adecuada para el tamaño de taza deseado con 4 tazas como mínimo o 12 tazas como máximo. Los distintos grados de molido y el tamaño de los granos pueden afectar el nivel de llenado y los tiempos de molido.

Cuadro de recomendaciones de molido		
Para cafeteras automáticas de goteo y prensas francesas*		
Llenar hasta	Cant. máxima	Tiempo recomendado de molido
Línea de llenado de 12 tazas	14 CDAS	Procesar durante 21 segundos
Línea de llenado de 10 tazas	12 CDAS	Procesar durante 19 segundos
Línea de llenado de 8 tazas	9 CDAS	Procesar durante 17 segundos
Línea de llenado de 4 tazas	5 CDAS	Procesar durante 14 segundos

* Para las prensas francesas se requiere un molido grueso. Para obtener resultados óptimos, es necesario procesar los granos continuamente, hasta que se obtenga el grado de molido deseado.

CONSEJOS PARA MOLER

Cuadro de recomendaciones de molido

Especia/Nuez	Cant. máxima	Tiempo recomendado de molido
Granos de pimienta negra	2 oz.	Procesar durante 25 segundos
Semillas de comino	2 oz.	Procesar durante 30 segundos
Pimienta entera	1,5 oz.	Procesar durante 25 segundos
Granos de pimienta de Sichuan	1 oz.	Procesar durante 30 segundos
Semillas de cilantro	0,5 oz.	Procesar durante 10 segundos

CUIDADO DEL MOLINILLO DE CAFÉ

1. Siempre desenchufe el molinillo de café antes de la limpieza.
2. Quite el tazón y la cubierta superior. Lávelos en agua caliente con jabón, enjuague y seque. El tazón y la cubierta superior también pueden lavarse en la lavavajillas (solamente en la canasta superior). Después de sacarlos de la lavavajillas, espere a que se enfríen antes de ensamblar.
3. Limpie el alojamiento del motor con un paño suave y húmedo.

NOTA: No use productos de limpieza abrasivos. No sumerja el alojamiento del motor en agua.

4. Limpie el cable con un paño tibio con jabón, luego pásele un paño húmedo. Seque con un paño suave.
5. Vuelva a ensamblar su molinillo de café después de limpiarlo.

PRUEBA DE COMPRA Y REGISTRO DEL PRODUCTO

Guarde siempre una copia del recibo de compra, en el cual se muestre la fecha de compra de su molinillo de café. La prueba de compra le asegurará el servicio bajo la garantía.

Antes de usar el molinillo de café, llene y envíe por correo la tarjeta de registro del producto que fue empacada con

la unidad. Esta tarjeta nos permitirá contactarlo en el caso improbable de una notificación acerca de la seguridad del producto y nos asistirá para cumplir con las medidas de Consumer Product Safety Act (Ley de seguridad de productos al consumidor). Esta tarjeta no verifica su garantía. Sírvase completar lo siguiente para su información personal:

Número de modelo _____


Número de serie _____

Fecha de compra _____

Nombre y ubicación de la tienda _____

Garantía del molinillo de café KitchenAid® para los 50 estados de Estados Unidos, el distrito de Columbia, Puerto Rico y Canadá

Esta garantía se extiende al comprador y a cualquier propietario subsiguiente para los molinillos de café usadas en los 50 estados de Estados Unidos, el Distrito de Columbia, Puerto Rico y Canadá.

Duración de la garantía:	Un año de garantía completa a partir de la fecha de compra.
 KitchenAid pagará por lo siguiente, a su elección:	<p>Reemplazo sin dificultades para su molinillo de café. Consulte la siguiente página para obtener detalles acerca de cómo obtener el servicio o llame al Centro para la satisfacción del cliente, sin cargo, al 1-800-541-6390. O BIEN</p> <p>Los costos de las piezas de repuesto y del trabajo de reparación para corregir los defectos en los materiales y la mano de obra. El servicio deberá ser provisto por un centro de servicio autorizado por KitchenAid.</p>
KitchenAid no pagará por:	<p>A. Reparaciones cuando su molinillo de café se use para fines ajenos al uso doméstico normal de una familia.</p> <p>B. Daños causados por accidente, alteración, uso indebido o abuso.</p> <p>C. Cualquier gasto de envío o manejo para llevar el molinillo de café a un centro de servicio autorizado.</p> <p>D. Piezas de repuesto o costos de mano de obra para molinillos de café operadas fuera de los 50 estados de Estados Unidos, el Distrito de Columbia, Puerto Rico y Canadá.</p>
EXCLUSIÓN DE GARANTÍAS IMPLÍCITAS; LIMITACIÓN DE RECURSOS	
<p>LAS GARANTÍAS IMPLÍCITAS, INCLUYENDO EN LA MEDIDA QUE CORRESPONDA LAS GARANTÍAS DE COMERCIABILIDAD O DE CAPACIDAD PARA UN PROPÓSITO PARTICULAR, SON EXCLUIDAS EN LA MEDIDA EN QUE SEA LEGALMENTE PERMISIBLE. TODA GARANTÍA QUE SEA IMPUESTA POR LEY SERÁ LIMITADA A UN AÑO O AL PERÍODO MÁS CORTO PERMITIDO POR LEY. ALGUNOS ESTADOS Y PROVINCIAS NO PERMITEN LAS LIMITACIONES O EXCLUSIONES ACERCA DE CUÁNTO DEBE DURAR UNA GARANTÍA IMPLÍCITA DE COMERCIABILIDAD O CAPACIDAD, DE MODO QUE LAS LIMITACIONES O EXCLUSIONES ARRIBA MENCIONADAS PUEDEN NO APLICARSE EN SU CASO.</p> <p>SI ESTE PRODUCTO NO FUNCIONA COMO SE HA GARANTIZADO, EL ÚNICO Y EXCLUSIVO RECURSO DEL CLIENTE SERÁ EL DE REPARARLO O REEMPLAZARLO SEGÚN LOS TÉRMINOS DE ESTA GARANTÍA LIMITADA. KITCHENAID Y KITCHENAID CANADA NO SE RESPONSABILIZARÁN POR DAÑOS INCIDENTALES O CONSECUENTES. Esta garantía le otorga derechos legales específicos, y es posible que usted tenga también otros derechos, los cuales varían de un estado a otro o de una provincia a otra.</p>	

Garantía de reemplazo sin dificultades – En los cincuenta estados de Estados Unidos, el Distrito de Columbia y Puerto Rico

Confiamos tanto en que la calidad de nuestros productos cumple con las exigentes normas de KitchenAid que, si el molinillo de café presentara alguna falla durante el primer año de compra, KitchenAid hará arreglos para entregar un reemplazo idéntico o comparable a su domicilio sin cargo y arreglará la devolución de su molinillo de café original a nosotros. La unidad de reemplazo estará también cubierta por nuestra garantía limitada de un año. Sírvase seguir estas instrucciones para recibir este servicio de calidad.

Si su molinillo de café fallara durante el primer año de compra, simplemente llame a nuestro Centro para la eXperiencia del cliente al **1-800-541-6390**, de lunes a viernes. Sírvase tener a mano el recibo de compra original cuando llame. Se requerirá la prueba de compra para iniciar un proceso de reclamo. Proporcione al asesor su dirección de envío completa. (No números de apartados postales, por favor).

Cuando usted reciba el molinillo de café de reemplazo, use el cartón y los materiales de empaque para empacar el molinillo de café original.

Garantía de reemplazo sin dificultades – en Canadá

Confiamos tanto en que la calidad de nuestros productos cumple con las exigentes normas de KitchenAid® que, si el molinillo de café presentara alguna falla durante el primer año de compra, KitchenAid Canada reemplazará su molinillo de café con una idéntica o un reemplazo comparable. La unidad de reemplazo estará también cubierta por nuestra garantía limitada de un año. Sírvase seguir estas instrucciones para recibir este servicio de calidad.

Si su molinillo de café presentara alguna falla durante el primer año de compra, llévela o envíela a cobro revertido a un Centro de servicio autorizado por KitchenAid. En la

caja, incluya su nombre y domicilio de envío completo en una hoja de papel junto con la copia del comprobante de compra (recibo de la caja registradora, recibo de pago de la tarjeta de crédito, etc.). Su molinillo de café de reemplazo será devuelta con porte prepago y asegurado. Si no puede obtener un servicio satisfactorio de esta manera, llame a nuestro número gratuito del Centro para la eXperiencia del cliente al **1-800-807-6777**.

O bien escribanos:
Customer eXperience Centre
KitchenAid Canada
200 - 6750 Century Ave.
Mississauga, ON L5N 0B7

Cómo obtener servicio técnico después de que expire la garantía o cómo pedir accesorios y piezas de repuesto

En los Estados Unidos y Puerto Rico:

Para obtener información acerca del servicio técnico o para pedir accesorios o piezas de repuesto, llame sin costo al **1-800-541-6390** o escriba a:
Customer eXperience Center,
KitchenAid Portable Appliances,
P.O. Box 218, St. Joseph, MI 49085-0218

Fuera de los Estados Unidos y Puerto Rico:

Consulte a su distribuidor local de KitchenAid o a la tienda donde compró el molinillo de café para obtener información sobre el servicio técnico.

Para obtener información acerca del servicio en Canadá:

Llame sin costo al **1-800-807-6777**.
o escriba a:
Customer eXperience Centre
KitchenAid Canada
200 - 6750 Century Ave.
Mississauga, ON L5N 0B7

KitchenAid[®]
FOR THE WAY IT'S MADE.[®]

®/™ © 2013 KitchenAid. All rights reserved. Used under license in Canada.

®/™ © 2013 KitchenAid. Tous droits réservés. Utilisé sous licence au Canada.

®/™ © 2013 KitchenAid. Todos los derechos reservados. Usada en Canadá bajo licencia.