

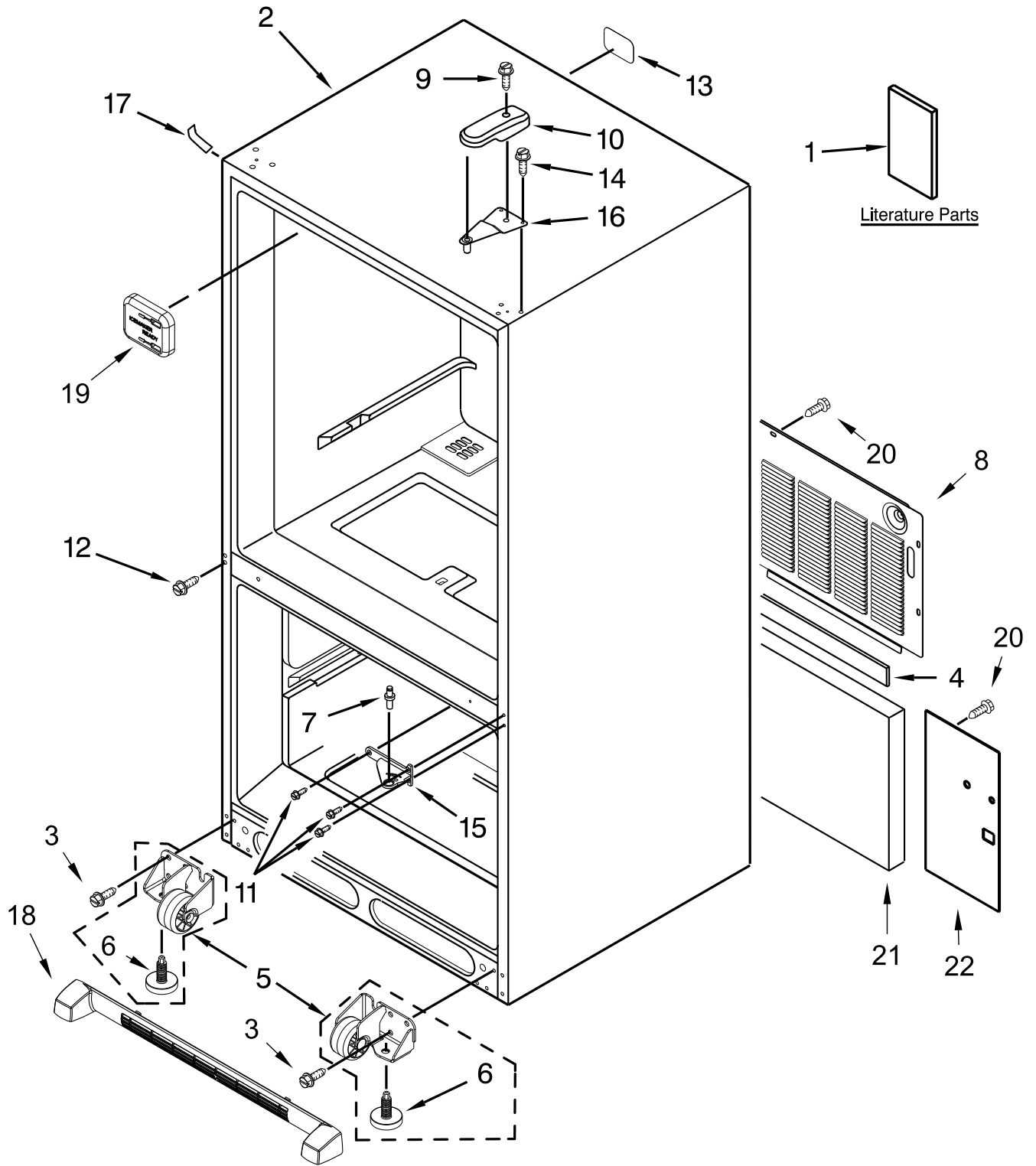
**KitchenAid®**

**30 INCH BOTTOM MOUNT REFRIGERATOR**

**MODELS:**

KRBL102ESS00 (Stainless Steel) (Left Hand)  
KRBR102ESS00 (Stainless Steel) (Right Hand)

# CABINET PARTS



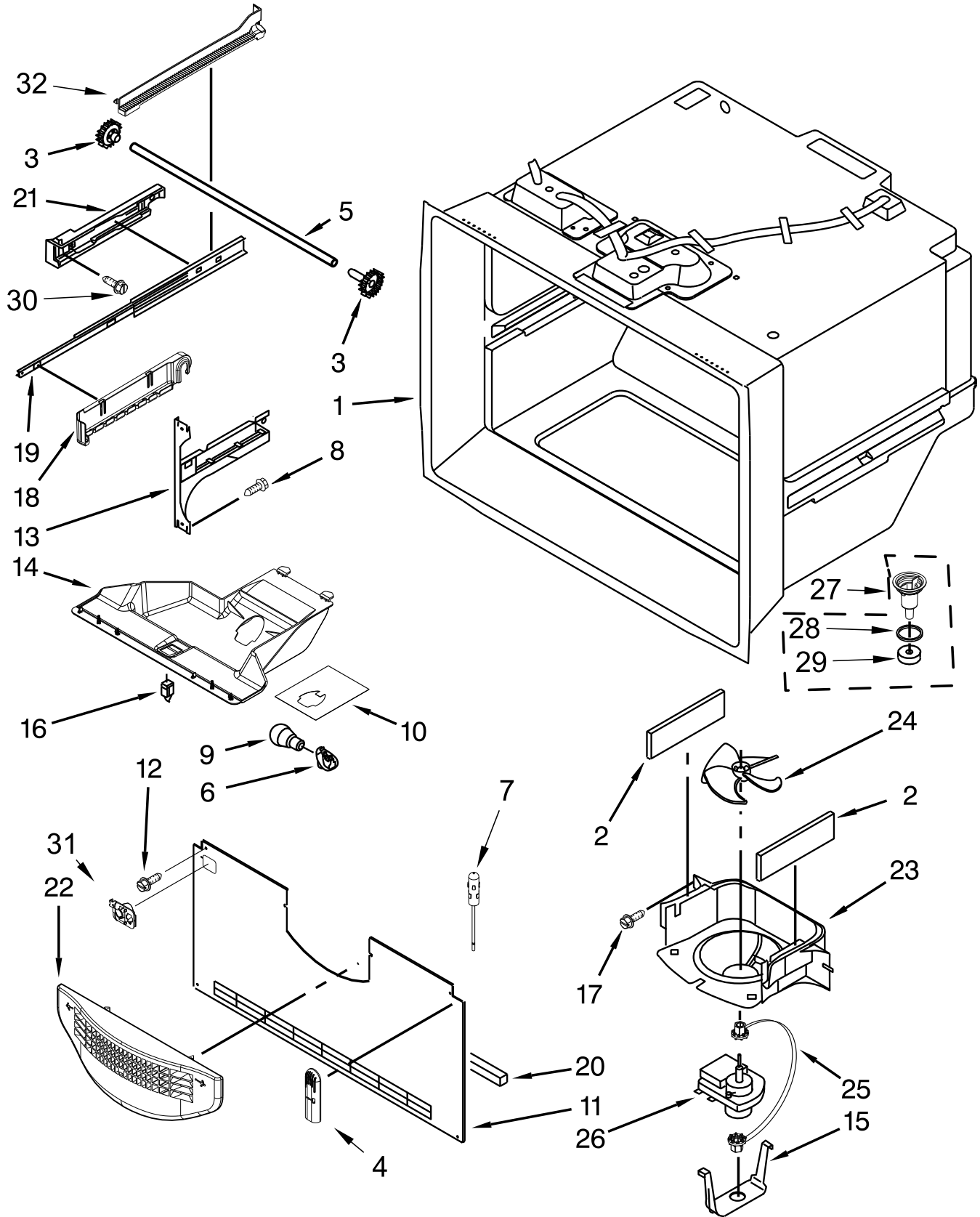
# CABINET PARTS

<u>Illus. No.</u>	<u>Part No.</u>	<u>Description</u>
1		Literature Parts
	W10645692	Use and Care Guide
	W10740383	Energy Guide
	W10517966	Tech Sheet
2		Cabinet (Not a Serviceable Part)
3	12991302	Screw
4	B5759655	Gasket
5		Assembly, Roller
	W10515763	Left Hand
	W10515762	Right Hand
6	W10141622	Brake, Roller

<u>Illus. No.</u>	<u>Part No.</u>	<u>Description</u>
7	10351006	Pin, Center Hinge
8	W10210979	Cover, Unit
9	12992602	Screw
10		Cover, Right Hinge
	12477601AP	Grey
11	W10339086	Screw
12	12990521	Screw
13	12249902	Label, Fill Tube
14	12992403	Screw
15		Hinge, Center
	12607103AP	Grey

<u>Illus. No.</u>	<u>Part No.</u>	<u>Description</u>
16	12566606ED	Hinge, Top
17		Cover, Corner
	12587703AP	Grey
18		Assembly, Grille (Includes Clips)
	W10534160	Grey
19	12477501	Cover, Fill Tube
20	12990511	Screw
21	12820505	Insulation
22	W10217701	Cover, Water Valve

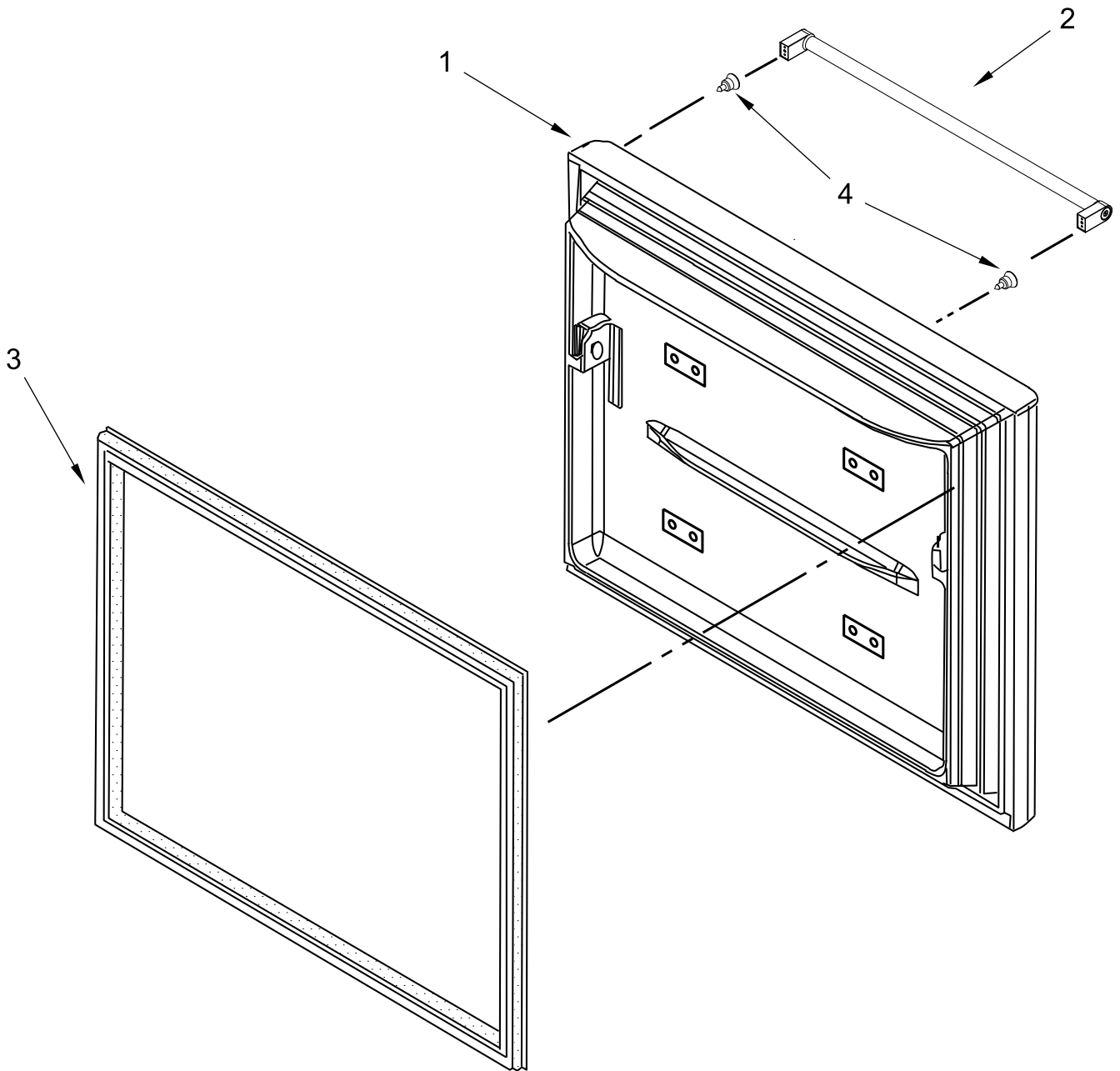
# FREEZER LINER PARTS



# FREEZER LINER PARTS

<u>Illus.</u> <u>No.</u>	<u>Part No.</u>	<u>Description</u>	<u>Illus.</u> <u>No.</u>	<u>Part No.</u>	<u>Description</u>	<u>Illus.</u> <u>No.</u>	<u>Part No.</u>	<u>Description</u>
1		Liner (Not A Serviceable Part)	14	W10277025	Module, Light	25	W10150583	Grommet, Fan Motor
2	A3189397	Gasket, Foam	15	13058002	Clip, Evaporator Motor	26	13062901	Motor, Evaporator
3	12002497	Gear	16	12466105	Switch, Light	27	W10662407	Assembly, Drain Funnel
4	12815301	Cover, Thermistor	17	12990504	Screw	28	M0500703	Seal
5	12812902WD	Shaft, Rack	18		Cradle, Basket	29	B8381501	Gasket, Drain
6	12570701	Socket, Light		W10280608	Left Hand	30	12990501	Screw
7	12791409SP	Thermistor		W10280613	Right Hand	31	12932103	Guide, Fill Tube
8	12990521	Screw	19	W10120018	Slide, Door	32		Rack, Side
9	W10745744	Lamp, LED	20	A3189395	Gasket, Foam		W10516603	Left Hand
10	W10277466	Foil, Housing	21		Adapter, Slide		W10516602	Right Hand
11	W10308415	Cover, Evaporator		W10284684	Left Hand			
12	12990511	Screw		W10284685	Right Hand			
13		Bracket, Door	22	13024803	Grille, Freezer Air			
	W10330991	Left Hand	23	13057901	Shroud, Evaporator Fan			
	W10330993	Right Hand	24	2169142	Blade, Fan			

# FREEZER DOOR PARTS



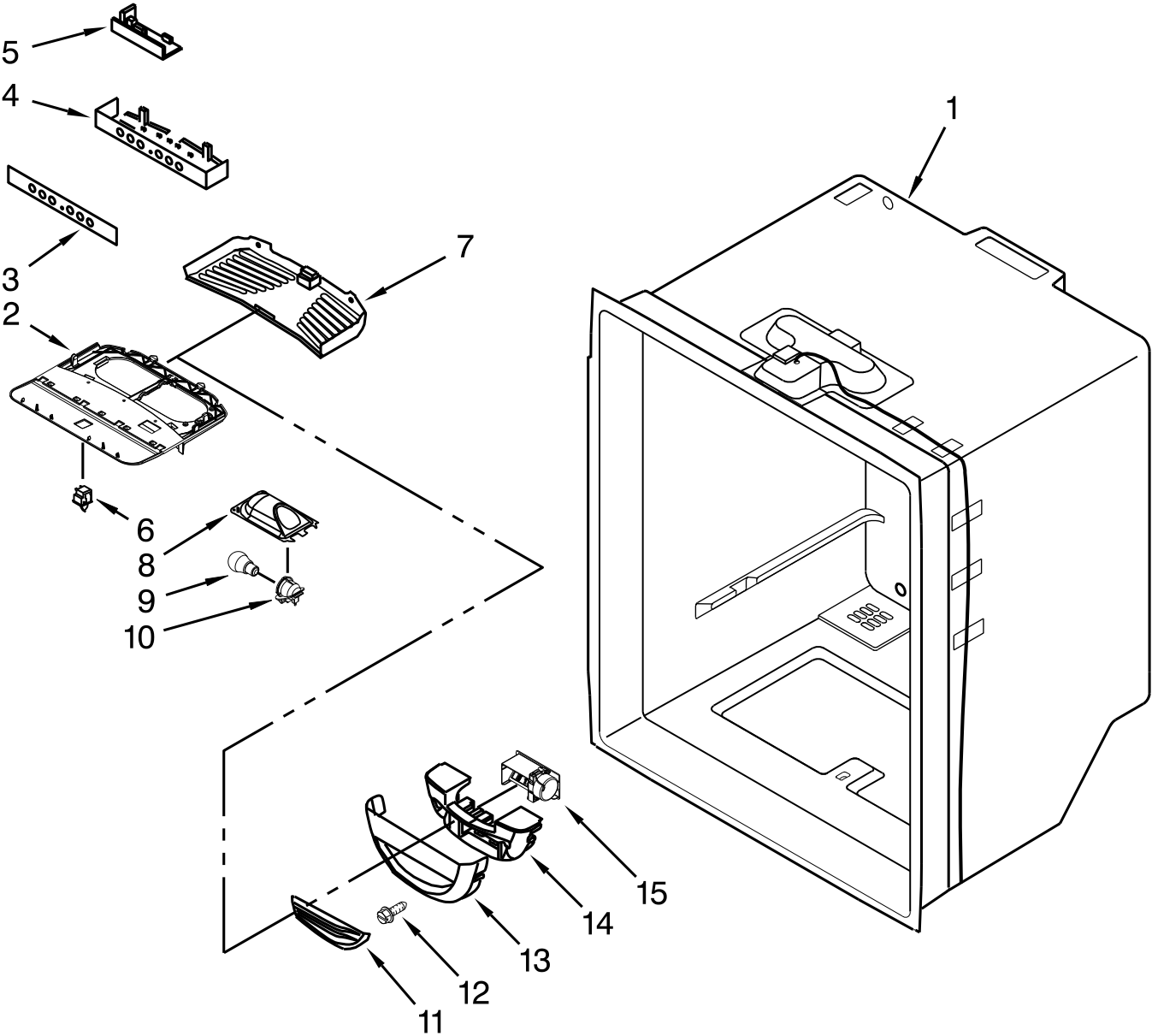
# FREEZER DOOR PARTS

<u>Illus.</u> <u>No.</u>	<u>Part No.</u>	<u>Description</u>
1		Door, Freezer
	13109217S	Stainless

<u>Illus.</u> <u>No.</u>	<u>Part No.</u>	<u>Description</u>
2		Handle, Door
	W10586526N	Stainless

<u>Illus.</u> <u>No.</u>	<u>Part No.</u>	<u>Description</u>
3		Gasket, Door
	W10571961	Grey
4	W10460893	Screw

# REFRIGERATOR LINER PARTS

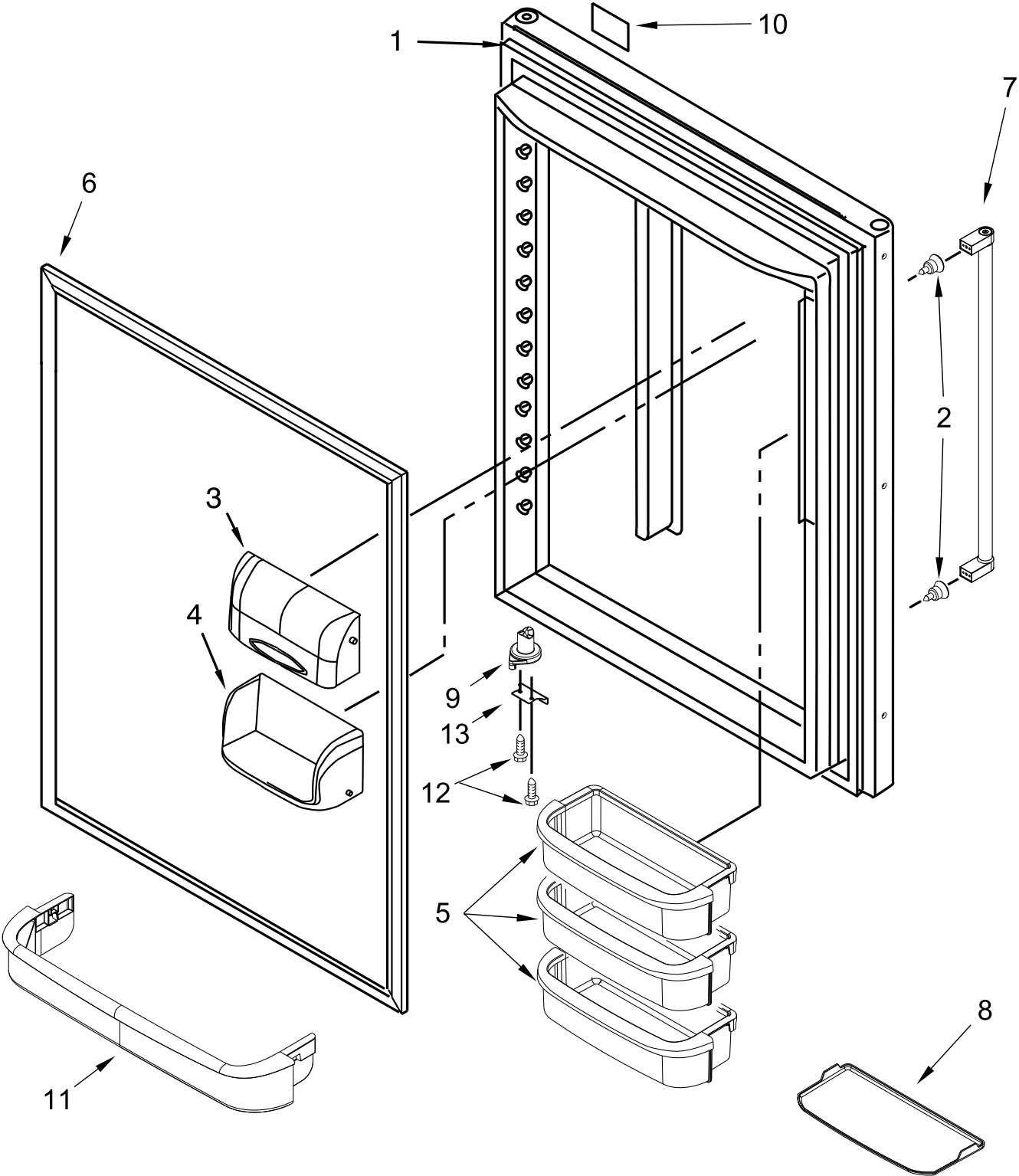




# REFRIGERATOR LINER PARTS

<u>Illus.</u> <u>No.</u>	<u>Part No.</u>	<u>Description</u>	<u>Illus.</u> <u>No.</u>	<u>Part No.</u>	<u>Description</u>	<u>Illus.</u> <u>No.</u>	<u>Part No.</u>	<u>Description</u>
1		Liner (Not A Serviceable Part)	7	12806501	Cover, Light	14	13012402	Insulation, Damper
2	W10464757	Module, Light	8	W10443023	Housing, Light	15	W10594330	Damper, Control
3	W10593588	Overlay	9	W10745744	Lamp, LED			Following Parts Not Illustrated
4	W10464769	Module, Control	10	12570701V	Socket, Light		W10422363	Harness, Refrigerator Control (Includes Thermistor)
5	W10503278	Control, Electronic	11	12806801	Insert, Damper Cover			
6	C3680310V	Switch, Light	12	12990604	Screw			
			13	12806701	Cover, Damper			

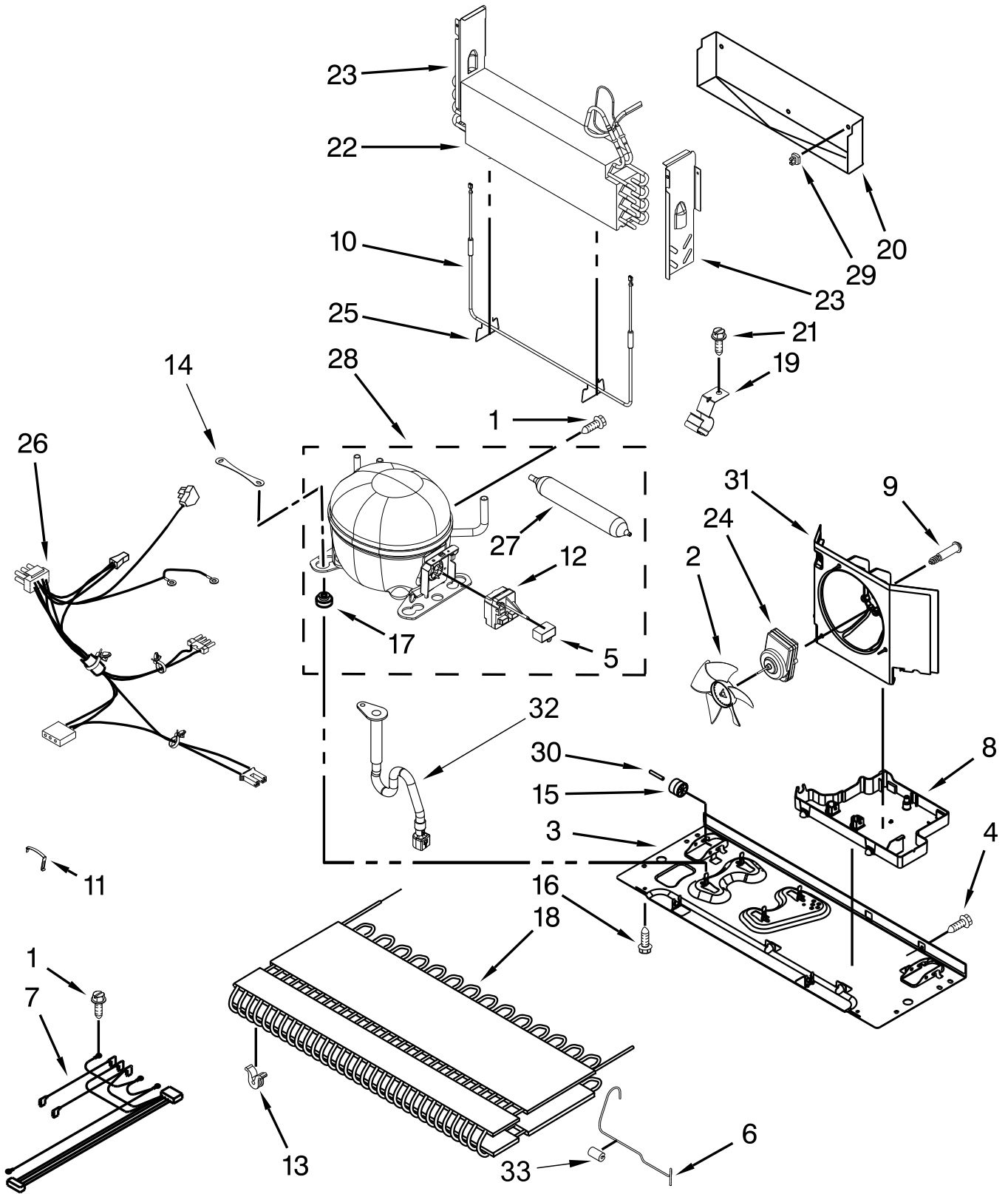
# REFRIGERATOR DOOR PARTS



# REFRIGERATOR DOOR PARTS

<u>Illus.</u> <u>No.</u>	<u>Part No.</u>	<u>Description</u>	<u>Illus.</u> <u>No.</u>	<u>Part No.</u>	<u>Description</u>	<u>Illus.</u> <u>No.</u>	<u>Part No.</u>	<u>Description</u>
1		Door, Refrigerator	5	W10371194	Bucket, Medium	10		Nameplate
	13107544S	Stainless (KRBL102ESS00)	6		Gasket, Door		W10243391	Grey
	13107546S	Stainless (KRBR102ESS00)		W10571963	Grey	11	12557905	Retainer, Door
2	W10460893	Screw	7		Handle, Door	12	12990504	Screw
3	12804701SP	Door, Dairy		W10586526N	Stainless	13		Stop, Door
4	12369502SP	Tray, Dairy	8	W10450021	Gripper, Medium		10447114	Grey
			9		Closure, Door			
				12028505AP	Grey			

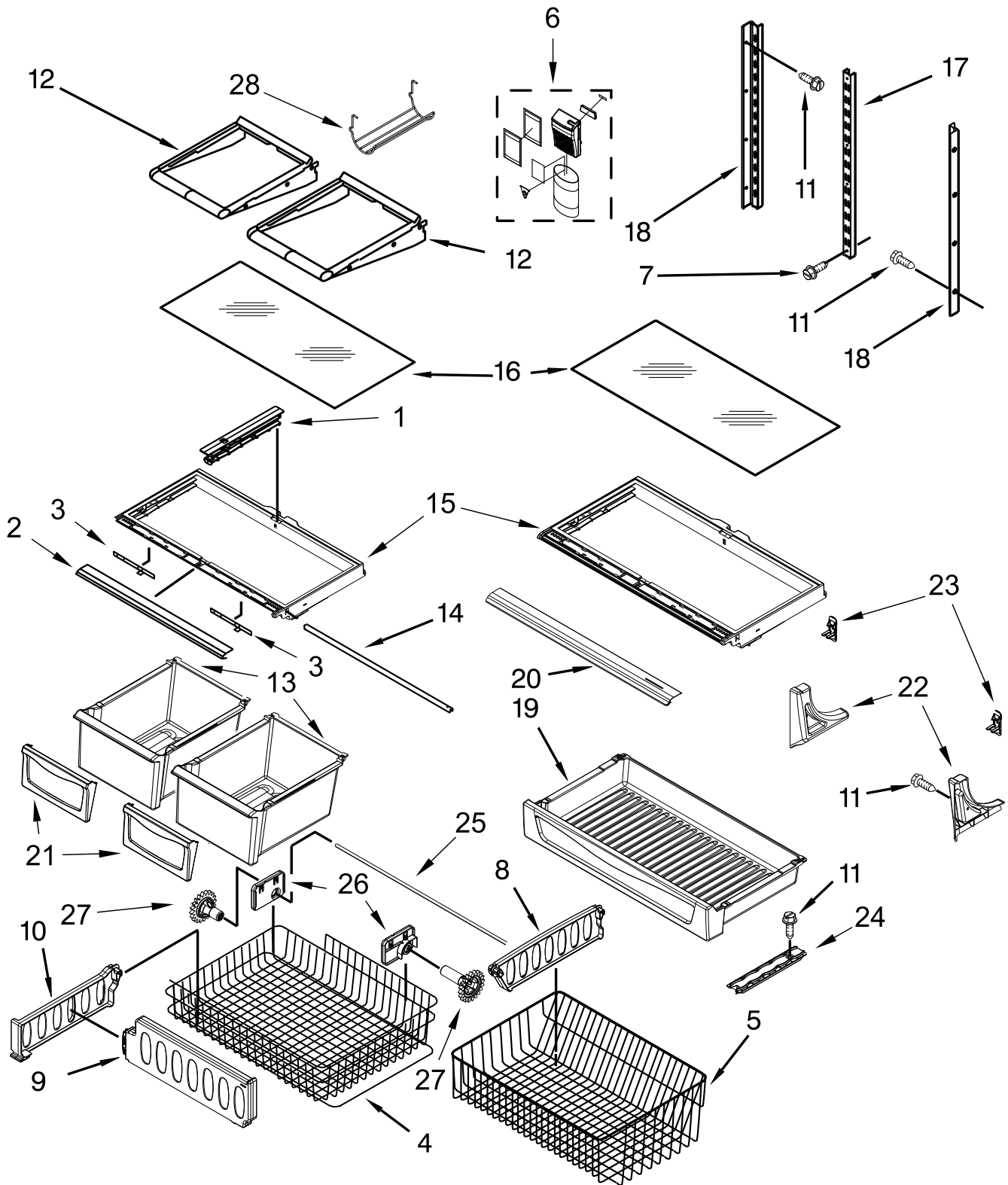
# UNIT PARTS



# UNIT PARTS

<u>Illus. No.</u>	<u>Part No.</u>	<u>Description</u>	<u>Illus. No.</u>	<u>Part No.</u>	<u>Description</u>	<u>Illus. No.</u>	<u>Part No.</u>	<u>Description</u>
1	12992301	Screw	16	12992101	Screw	31	W10189184	Shroud, Condenser Fan
2	12825803	Blade, Fan	17	10835903	Grommet	32	W10622099	Extension, Drain Tube
3	W10480110	Basepan	18	W10346420	Condenser	33	2319835	Grommet, Condenser
4	12990511	Screw	19	W10281329	Clip, Drier			Following Parts Not Illustrated
5	W10350564	Capacitor	20	W10292802	Tray, Drip			978025 Valve, Access
6	W10233570	Tube, Discharge	21	12990701	Screw			978026 Valve, Access
7	W10290745	Harness, Evaporator (Includes Heater)	22	W10669254	Evaporator			978027 Valve, Access
8	W10655367	Pan, Drain	23		Dam			978028 Valve, Access
9	W10622701	Screw		12225602	Left Hand			978029 Valve, Access
10	12729128	Heater, Defrost		12225702	Right Hand			978030 Valve, Access
11	W10216075	Strap, Bale	24	W10609117	Motor, Condenser Fan			876764 Valve, Access
12	W10330832	Device, Combination Start (Start Relay and Overload)	25	10428101	Clip, Heater			REFRIGERANT CHARGE
13	W10137529	Grommet, Condenser	26	W10679216	Harness, Unit (Includes Power Cord)			5.00 Oz. (R-134A)
14	W10236396	Strap, Compressor	27	W10177049	Drier			
15	12477102	Roller	28	W10445422	Compressor			
			29	10623002	Clip, Evaporator			
			30	12477202	Axle, Roller			

# SHELF PARTS



# SHELF PARTS

<u>Illus. No.</u>	<u>Part No.</u>	<u>Description</u>
1	W10671238	Rail, Center Crisper
2	W10231482	Trim, Crisper
3	12530805SP	Slide, Humidity Control
4	W10348238	Basket, Freezer (Upper)
5	W10503183	Basket, Freezer (Lower)
6	W10596756	Assembly, Produce Preserver
7	W10215666	Screw
8	W10146440	Divider, Basket (Lower)
9	W10311695	Divider, Basket (Upper)
10	W10241046	Divider, Basket (Upper)
11	12990513	Screw

<u>Illus. No.</u>	<u>Part No.</u>	<u>Description</u>
12	12463509	Shelf, Stationary
13	12530505N	Pan, Crisper
14	12227303WD	Brace, Crisper Cover
15	W10671241	Frame, Crisper
16	12204822	Glass, Crisper
17	W10273463	Ladder, Center
18	W10251969	Ladder, Side
19	W10328327	Drawer, Pantry
20	W10656986	Trim, Pantry Front
21	12643702	Frame, Crisper Pan
22		Support, Pantry
	12531001	Left Hand
	12531002	Right Hand

<u>Illus. No.</u>	<u>Part No.</u>	<u>Description</u>
23	12531802	Hook, Ladder
24	12531901	Track, Deli Drawer
25	12812905WD	Shaft, Rack
26		Mount, Gear
	W10348259	Left Hand
	W10348260	Right Hand
27		Gear
	W10474716	Left Hand
	W10474715	Right Hand
28	W10335942	Rack, Hanging Wire

# OPTIONAL PARTS (NOT INCLUDED)

## ICE MAKER FIELD INSTALLABLE

<u>Illus.</u> <u>No.</u>	<u>Part No.</u>	<u>Description</u>
	W10261234	IC13B

## PAINT, TOUCH-UP (1/2OZ.)

<u>Illus.</u> <u>No.</u>	<u>Part No.</u>	<u>Description</u>
	72017	White
	72032	Black
	4392901	Biscuit/Bisque

## PAINT, PRESSURIZED SPRAY (12 OZ.)

<u>Illus.</u> <u>No.</u>	<u>Part No.</u>	<u>Description</u>
	350942	White Primer
	350930	White
	350939	Enamel, Black
	4392901	Biscuit/Bisque

## PAINT, BULK (1 QT.)

<u>Illus.</u> <u>No.</u>	<u>Part No.</u>	<u>Description</u>
	799344	White
	799344	White
	4392900	Biscuit/Bisque

## MISCELLANEOUS

<u>Illus.</u> <u>No.</u>	<u>Part No.</u>	<u>Description</u>
	212643	Sealer, Gum (4 Feet)
	479502	Tape, Vinyl (3/4 x 108")
	505587	Sealer, Mastic (1 Qt)
	503695	Cork, Sealer
	542638	Grease, Silicone (1/2 Oz.)
	542639	Cement, Alumilastic (1 1/4 Oz.)
	799833	Kit, Evaporator Repair (Aluminum Epoxy)
	833938	Kit, Terminal Connector

## TORX SCREW WRENCH

<u>Illus.</u> <u>No.</u>	<u>Part No.</u>	<u>Description</u>
	1117510	Torx Key

## ACCESSORIES

<u>Illus.</u> <u>No.</u>	<u>Part No.</u>	<u>Description</u>
	2217192	Cleaner, Stainless Steel