

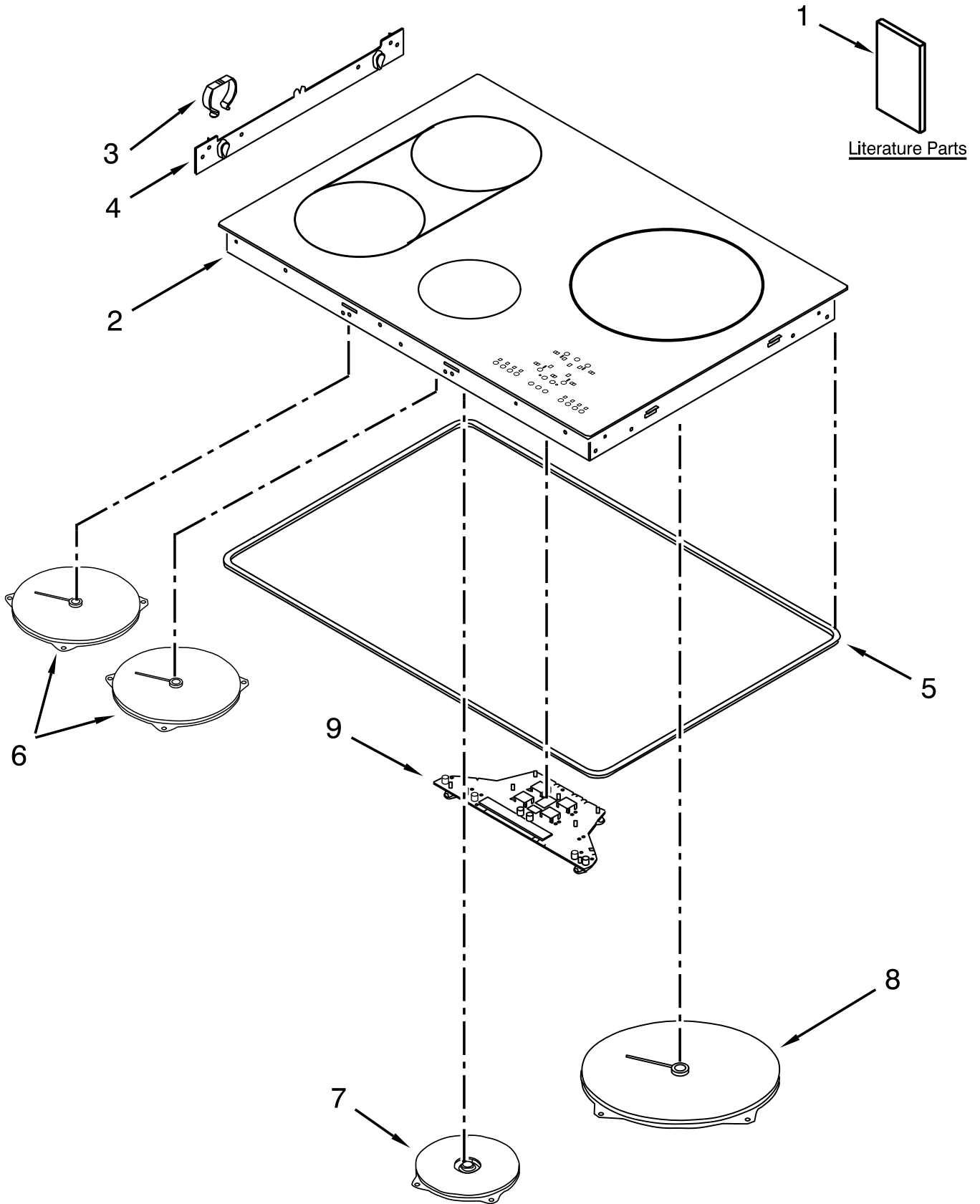
KitchenAid®

30" INDUCTION COOKTOP

MODELS:

KICU509XBL00 (Black)
KICU509XSS00 (Stainless)

COOKTOP PARTS



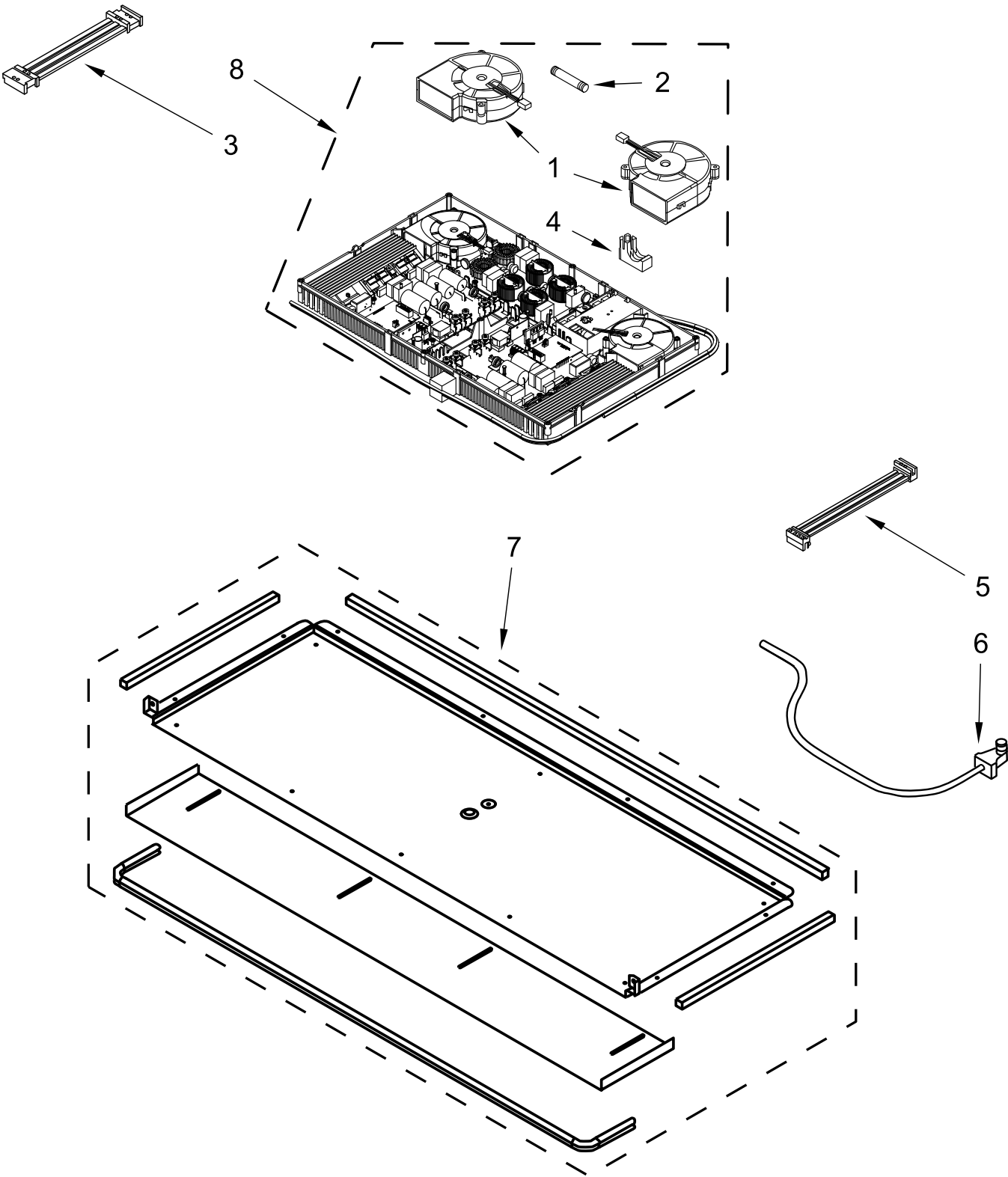
COOKTOP PARTS

<u>Illus.</u> <u>No.</u>	<u>Part No.</u>	<u>Description</u>
1		Literature Parts
	W10356035	Installation Instructions
	W10408874	Tech Sheet
2		Cooktop, Glass
	W10396824	Black
	W10396826	Stainless
3	W10328375	Spring, Cooktop

<u>Illus.</u> <u>No.</u>	<u>Part No.</u>	<u>Description</u>
4	W10328377	Bracket, Support
5	W10237005	Gasket Cooktop
6		Coil, Element (Left Front, Left Rear)
	W10396548	7 inch (17.8cm)
7		Coil, Element (Center Front)
	W10396547	6 inch (15.2 cm)

<u>Illus.</u> <u>No.</u>	<u>Part No.</u>	<u>Description</u>
8		Coil, Element (Right Rear)
	W10396549	10 inch (25.4 cm)
9	W10396615	User Interface - Display Board

INTERIOR PARTS



INTERIOR PARTS

<u>Illus.</u> <u>No.</u>	<u>Part No.</u>	<u>Description</u>
1	W10328381	Fan, Cooling (Left)
	W10328378	Fan, Cooling (Right)
2	W10328492	Fuse
3	W10328396	Harness, Wire User Interface

<u>Illus.</u> <u>No.</u>	<u>Part No.</u>	<u>Description</u>
4	W10328401	Harness, Fixing Clip
5	W10396610	Harness, Wire User Interface
6	W10396611	Cord, Power
7	W10432829	Box, Burner

<u>Illus.</u> <u>No.</u>	<u>Part No.</u>	<u>Description</u>
8	W10607546	Module, SL
		Following Parts Not Illustrated
	W10310006	Adhesive, Marble Countertop