

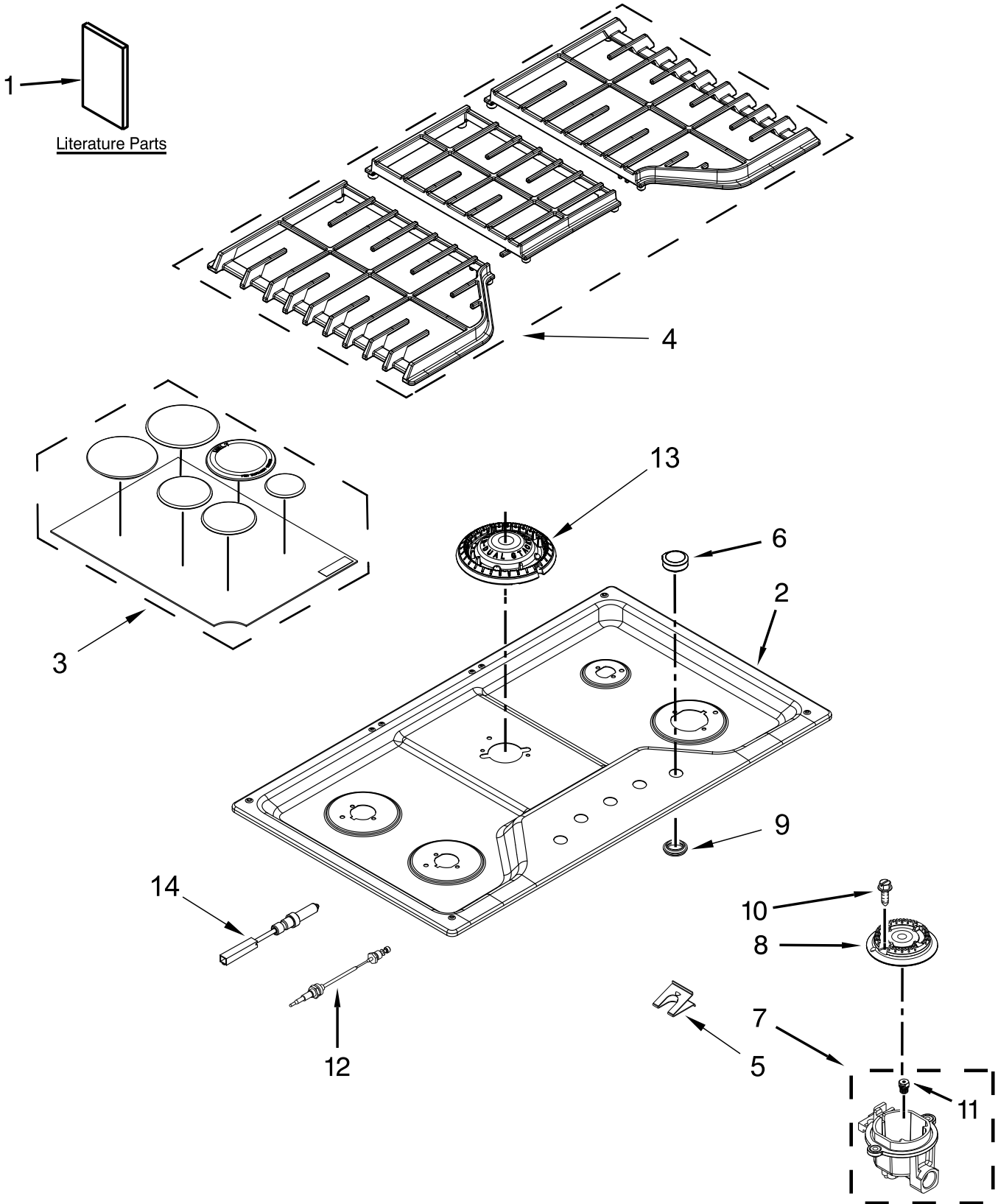
KitchenAid®

30" GAS COOKTOP

MODELS:

KCGS350ESS00 (Stainless)

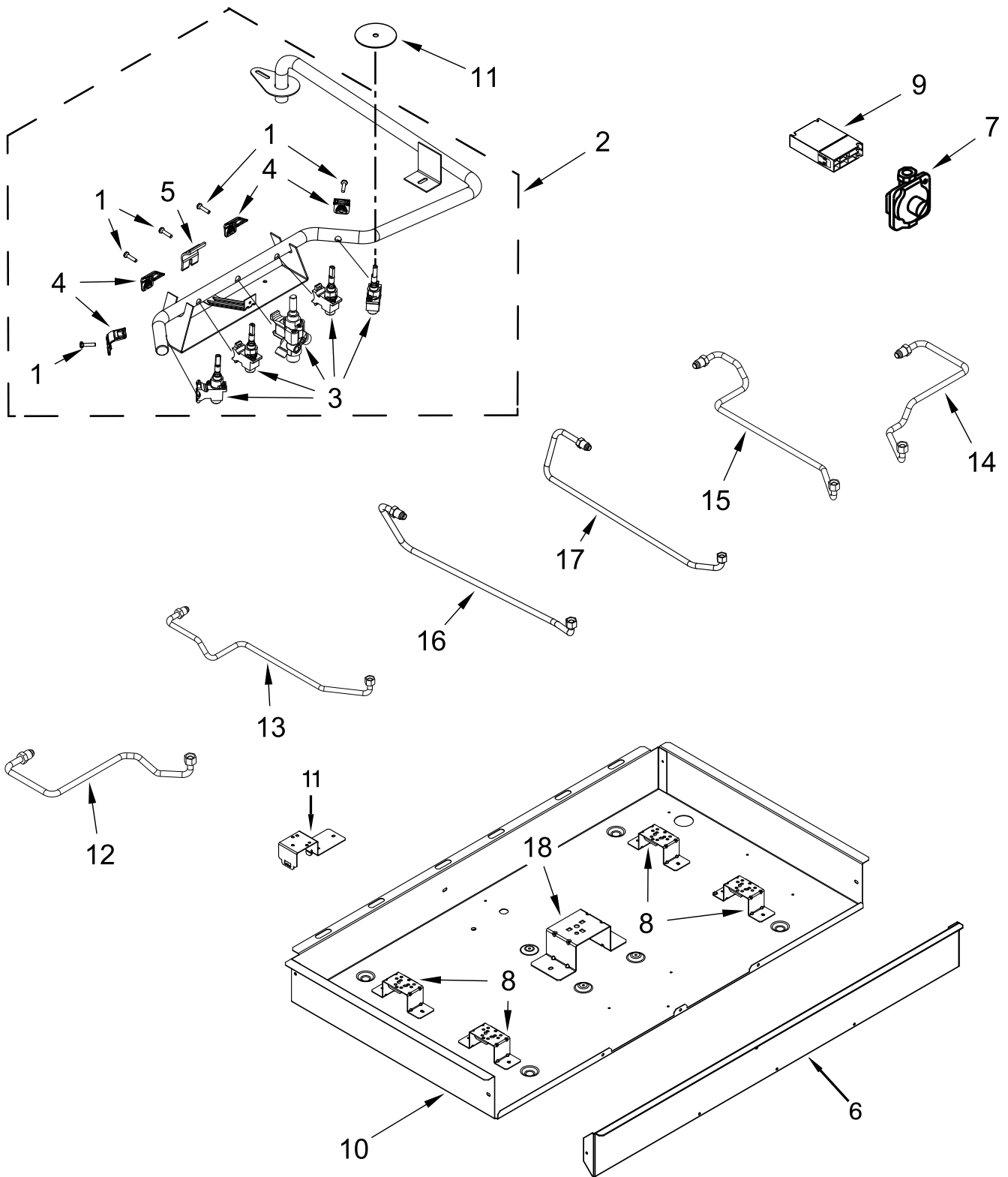
COOKTOP, BURNER AND GRATE PARTS



COOKTOP, BURNER AND GRATE PARTS

<u>Illus. No.</u>	<u>Part No.</u>	<u>Description</u>	<u>Illus. No.</u>	<u>Part No.</u>	<u>Description</u>	<u>Illus. No.</u>	<u>Part No.</u>	<u>Description</u>
1		Literature Parts	7	W10597166	Holder, Orifice (9.1K)	11	W10652710	Orifice
	W10597144	Installation Instructions			(Left Front & Right Front)			(Left Front & Right Front)
	W10672375	Undercounter Install Instructions		W10613381	Holder, Orifice (10K)		W10151347	Orifice
	W10597142	Use & Care Guide			(Left Rear)			(Left Rear)
	9762761	Tips, Safe Cooking (English)		W10594399	Holder, Orifice (5K)		W10652711	Orifice
	W10065852	Tips, Safe Cooking (French)			(Right Rear)			(Right Rear)
2	W10597067	Cooktop		W10611441	Holder, Orifice (17K)		W10609592	Orifice
3		Kit, Burner Cap			(Center)			(Center, Main)
	W10613386	Black	8	8286814	Head, Burner		W10652706	Orifice
4		Kit, Grate			(Left Front, Left Rear & Right Front)	12	W10541842	Wiring, Electrode
	W10594449	Black		8286813	Head, Burner			(Left Front & Right Front)
5	8286863	Spring, Electrode			(Right Rear)		W10541843	Wiring, Electrode
6		Knobs, Cooktop	9	W10625915	Grommet			(Left Rear & Right Rear)
	W10545849	Stainless	10	8287059	Screw	13	W10611434	Spreader, Flame
						14	W10611438	Electrode (Stack)
								(Center)

BURNER BOX, GAS VALVES AND SWITCH PARTS



BURNER BOX, GAS VALVES AND SWITCH PARTS

<u>Illus. No.</u>	<u>Part No.</u>	<u>Description</u>	<u>Illus. No.</u>	<u>Part No.</u>	<u>Description</u>	<u>Illus. No.</u>	<u>Part No.</u>	<u>Description</u>
1	8287057	Screw, Valve Bracket	7	W10132345	Regulator, Pressure	16	W10566296	Tubing, Gas Burner
2	W10594395	Assembly, Pipe Manifold	8	W10594429	Bracket, Orifice Holder			(Center, Main)
3	W10594392	Valve, Single (Left Front)	9	W10475149	Module, Spark (2+0 Filtered)	17	W10566297	Tubing, Gas Burner
	W10594391	Valve, Single (Left Rear)	10	W10714617	Box, Burner			(Center, Simmer)
	W10594393	Valve, Single (Right Front)	11	W10140571	Seal, Switch Shaft	18	W10594430	Bracket, Orifice Holder
	W10597156	Valve, Single (Right Rear)	12	W10566294	Tubing, Gas Burner (Left Front)			FOLLOWING PARTS NOT ILLUSTRATED
	W10594389	Valve, Dual (Center)	13	W10566295	Tubing, Gas Burner (Left Rear)			W10539913 Harness, Main
4	8287055	Bracket, Single Valve	14	W10566299	Tubing, Gas Burner (Right Front)			W10392003 Cord, Power
5	8287056	Bracket, Dual Valve	15	W10566298	Tubing, Gas Burner (Right Rear)			W10132200 Relief, Strain
6	W10614950	Panel, Front						9760279 Seal, Foam
								313438 Clip, Harness
								W10676661 Kit, LP Conversion
								ACCESSORIES
								W10685483 Griddle