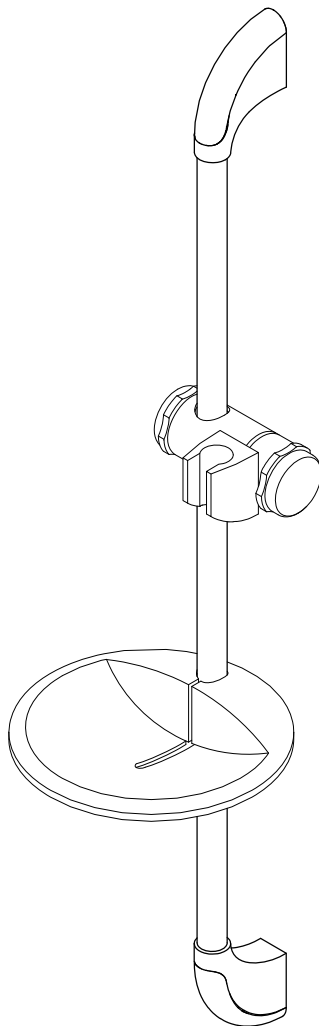


KINGSTON

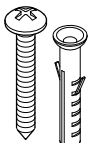
KITCHEN & BATH

Adjustable Slide Bar Installation



Parts:

Mounting Screw
&
Anchor



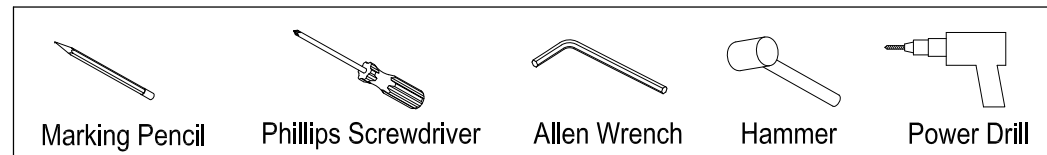
4 Pcs

CAUTION

Failure to follow all installation directions may cause product to detach from the wall and cause serious injury

www.kingstonbrass.com
TOLL-FREE CUSTOMER SERVICE: 1-877-2-KBRASS
TECHNICAL SUPPORT E-mail: service@kingstonbrass.com
12775 Reservoir Street, Chino, CA 91710

Need Tools:



Legal Disclaimer :

This bar is not to be used as a grab bar and it is not intended to support weight. Before you begin, identify the appropriate area to install this slide bar, proper location should be above 48" from the floor (as per ASTM F446).

It is recommended that slide bar to be mounted directly to the structural framing of your home. If necessary, cross bracing can be installed to provide adequate support.

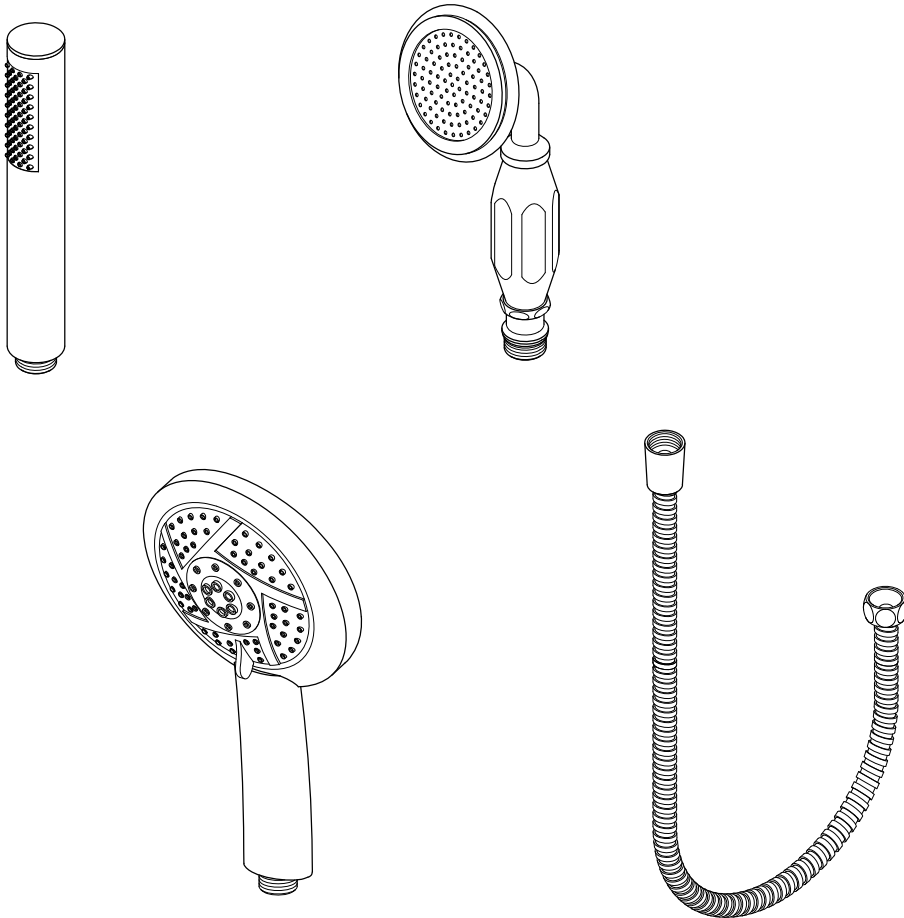
Installation:

<p>1</p>	<p>1. Assemble slide bar and position at the desired location.</p>	<p>2</p>	<p>2. Mark the position of the mounting screw by inserting a pencil through the center of the end post.</p>
<p>3</p>	<p>3. Remove slide bar and drill a small hole, insert plastic anchor until it is flushed with the surface of the wall.</p>	<p>4</p>	<p>4. Attach slide bar to wall and fasten by threading screw into plastic anchor or wood stud, press cover button into place.</p>

KINGSTON

KITCHEN & BATH

INSTALLATION INSTRUCTIONS Hand Shower & Shower Hose



NOTICE

Failure to follow all directions may cause leaks
which may result in water damage

www.kingstonbrass.com

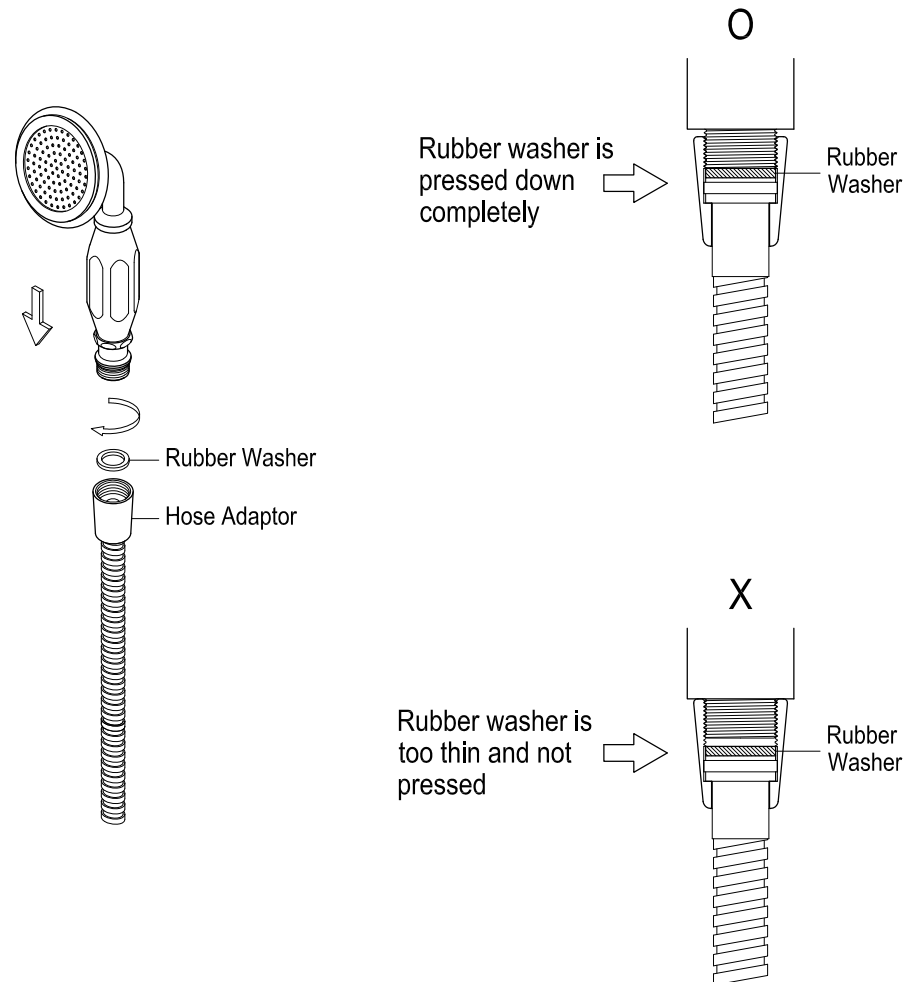
TOLL-FREE CUSTOMER SERVICE: 1-877-2-KBRASS

TECHNICAL SUPPORT E-mail: service@kingstonbrass.com

12775 Reservoir Street, Chino, CA 91710

Installation Steps for Hand Shower:

1. Remove the old hand shower from the hose by turning it counter-clockwise.
2. Check the original washer on the hose adapter for any damage; replace if necessary.
3. Clean the washer and remove any debris from inside the hose adapter.
4. Reinsert the washer into the hose adapter, ensuring it sits flat against the bottom.
5. Hand-tighten the new hand shower onto the hose adapter by turning it clockwise. Ensure it's secure but do not over-tighten.
6. Turn on the water to check for leaks around the hose adapter. If leaks are found, loosen and retighten the hand shower or replace it with a thicker sealing washer.



Installation Steps for Shower Hose:

1. Remove the Old Hose, Turn the hose adapter counterclockwise to detach it from the outlet.
2. Insert the enclosed rubber washers into each end of the new shower hose, ensuring they are seated fully inside the adapters.
3. Hand-tighten the end of the hose with the faceted adapter into the outlet. Turn on the water for at least 30 seconds to flush out any debris from the line. Check for leaks at the connection.
4. Hand-tighten the other end of the hose to the hand shower. Turn on the water to check for any leaks, re-tighten if necessary.

