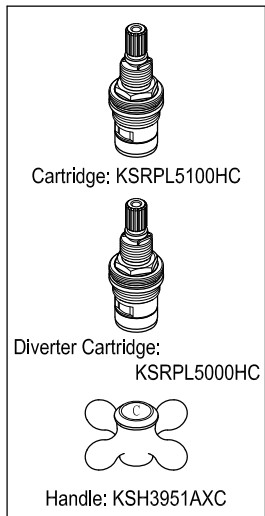
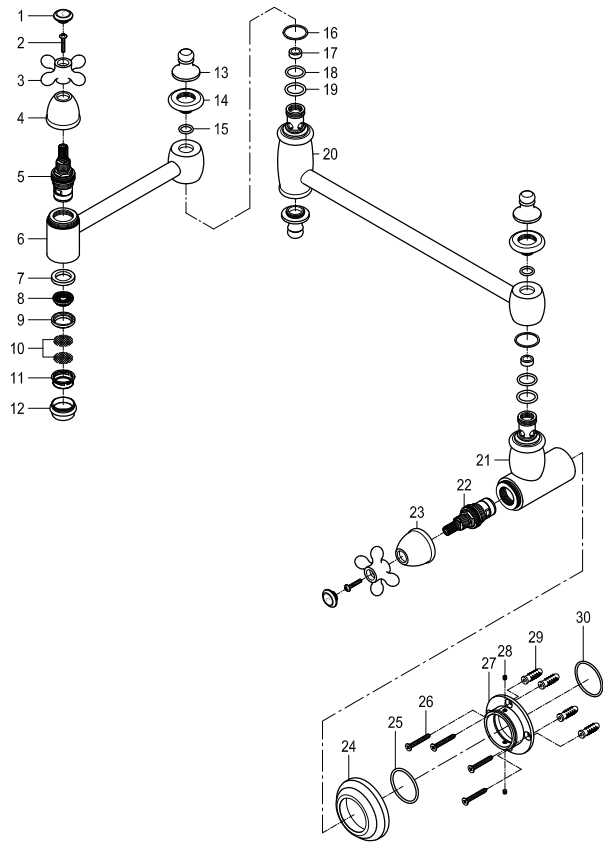
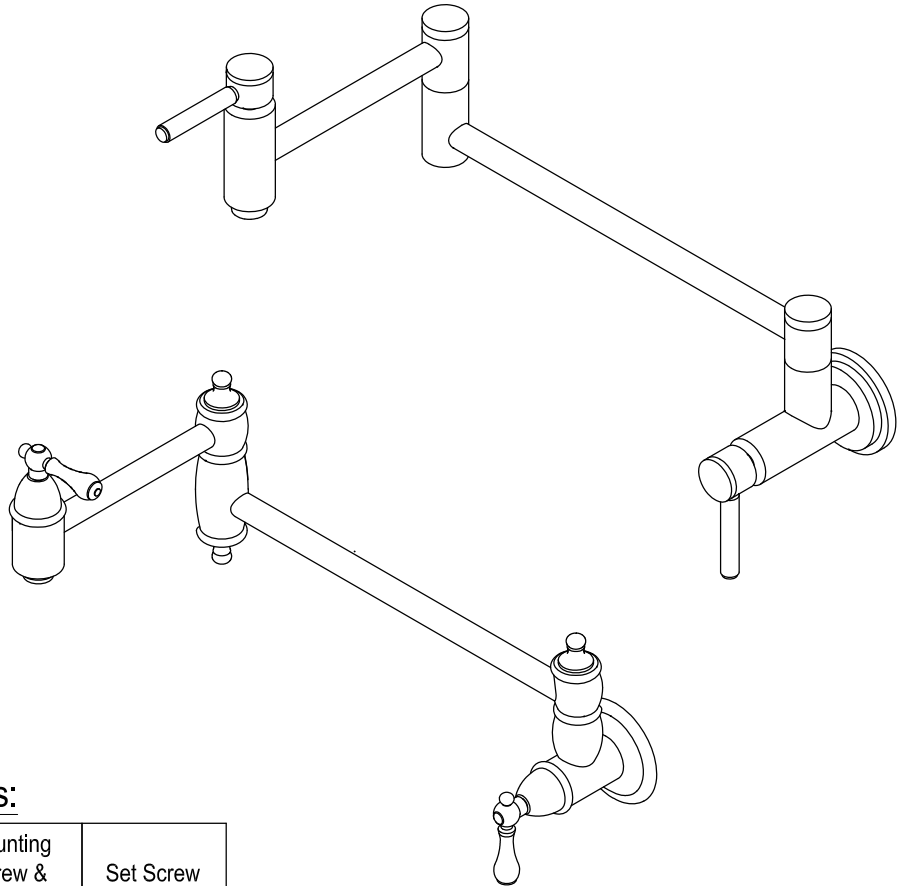


**Parts:**



# KINGSTON

KITCHEN & BATH



**CARE AND MAINTENANCE OF YOUR FAUCET**

Your Kingston Brass faucet has been finished to the most strict standards; however, due to the high content of minerals in the water, your finish may appear dull and tarnished after time. These are some do's and don'ts to maintain the luster on your faucet for many years to come.

- DO**
1. Use a silicon based caulking when installing.
  2. Clean your faucet with only a mild soap and water solution.
  3. Dry your faucet after using it.
  4. Give it a coat of Carnauba Wax periodically.

- DON'T**
1. Use plumbers putty when installing the faucet.
  2. Use any abrasive cleaning agents.

It may seem like a very simple and short list but it is that simple to maintain your faucet, looking shiny and new.

If your faucet is already looking somewhat dull and tarnished, before replacing it, try cleaning it with a 50/50 solution of vinegar and water, you may need to soak some rags and wrap around those stubborn areas, leave overnight and rinse completely in the morning, apply Carnauba wax once you have removed the mineral deposits.

**Parts:**

Mounting Screw & Anchor	Set Screw
4 Pcs	2 Pcs

**NOTICE**

Failure to follow all directions may cause leaks which may result in water damage

www.kingstonbrass.com  
 TOLL-FREE CUSTOMER SERVICE: 1-877-2-KBRASS  
 TECHNICAL SUPPORT E-mail: service@kingstonbrass.com  
 12775 Reservoir Street, Chino, CA 91710

# KINGSTON

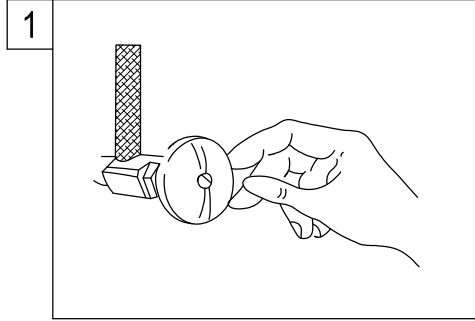
KITCHEN & BATH

## INSTALLATION INSTRUCTIONS

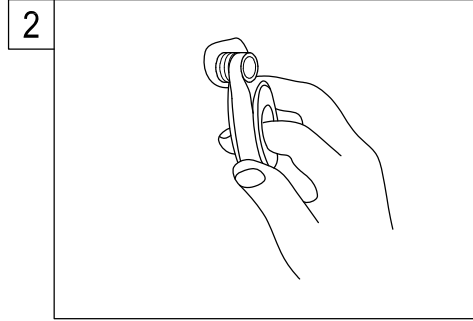
### Pot Filler

#### BEFORE BEGINNING INSTALLATION:

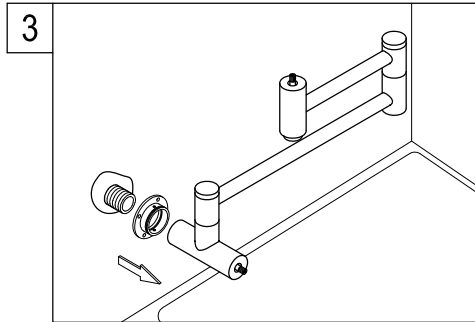
1. Flush plumbing lines to clear any debris.
2. Shut off both supply lines after flushing.



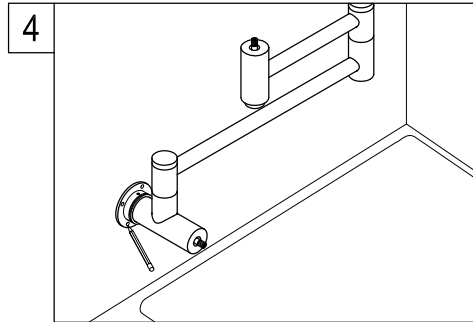
1. Shut off hot and cold water supply under sink. Plug sink drain with cloth to avoid losing small parts. Remove old faucet.



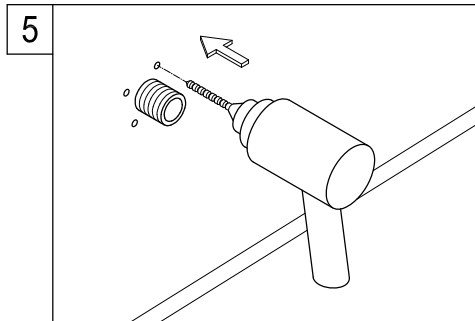
2. Turn on old faucet to remove any excess water in the supply lines. Apply Teflon tape onto the threads of supply elbow.



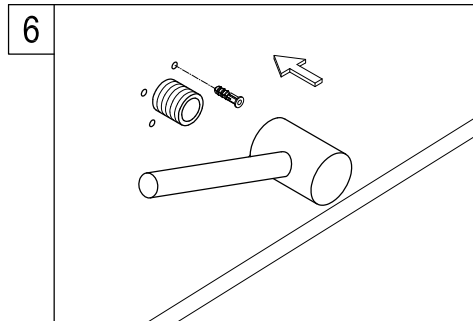
3. Insert mounting plate into the faucet body and install to water outlet on wall.



4. Place the mounting plate in the center of the pencil outline you just made and mark the location of the mounting screws.



5. Drill holes at the marked locations and remove mounting plate from faucet body.



6. Insert anchors into the holes with a hammer until flush with the wall.

#### Need Tools:



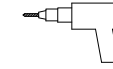
Marking Pencil



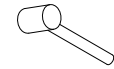
Allen Wrench



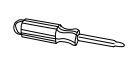
Teflon Tape



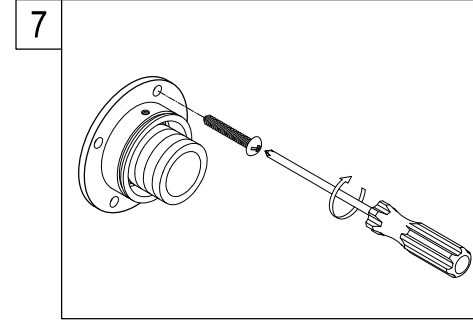
Power Drill



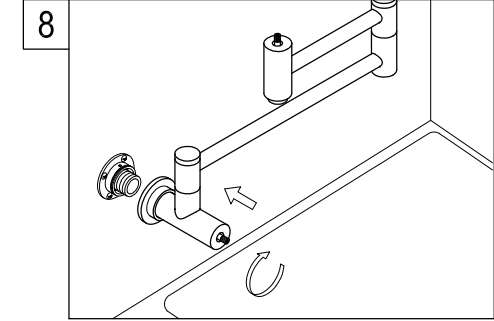
Hammer



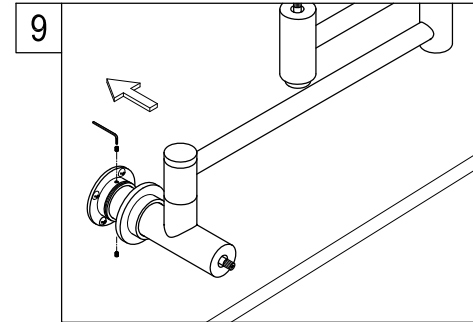
Screwdriver



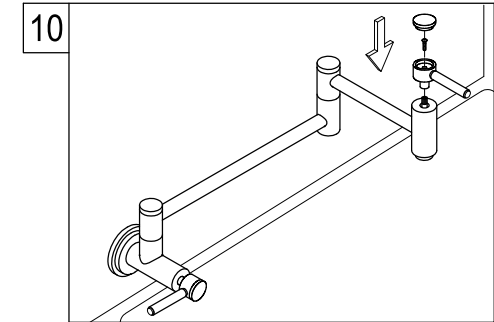
7. Screw the mounting plate to the wall with the mounting screws.



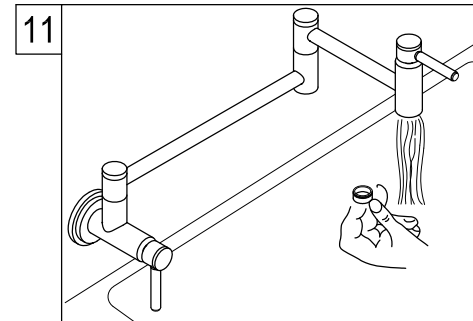
8. Insert flange into the faucet body and install to water outlet on wall then turn tightly in a clockwise direction. Make sure the faucet is horizontal.



9. Tighten the set screw with the Allen wrench then cover the mounting plate with the flange.



10. Install the handles with the screws and replace the covers.



11. Remove aerator and turn on both hot and cold valves, let water run for at least one minute, this will clear any debris left in the line, reinstall aerator.