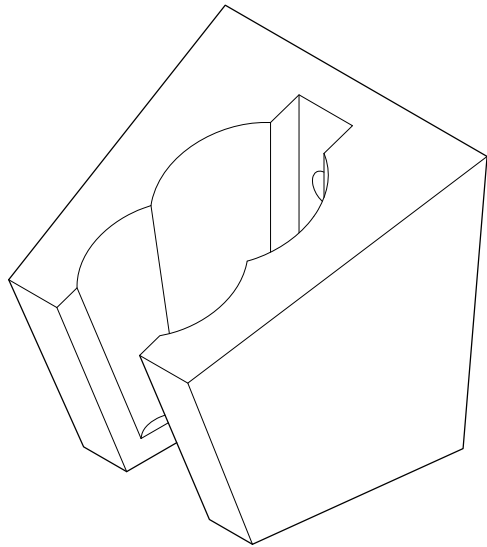


KINGSTON

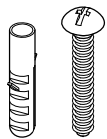
KITCHEN & BATH

Wall Bracket Installation



Parts:

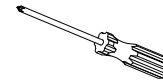
Mounting Screw
&
Anchor



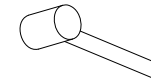
2 Pcs

www.kingstonbrass.com
TOLL-FREE CUSTOMER SERVICE: 1-877-2-KBRASS
TECHNICAL SUPPORT E-mail: service@kingstonbrass.com
12775 Reservoir Street, Chino, CA 91710

TOOLS REQUIRED



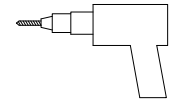
Phillips Screwdriver



Hammer



Marking Pencil



Power Drill

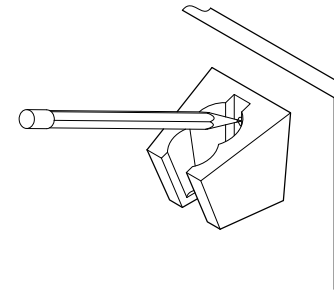


Fig. 1

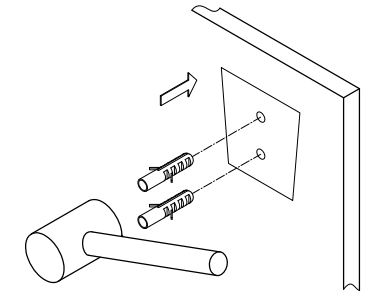


Fig. 2

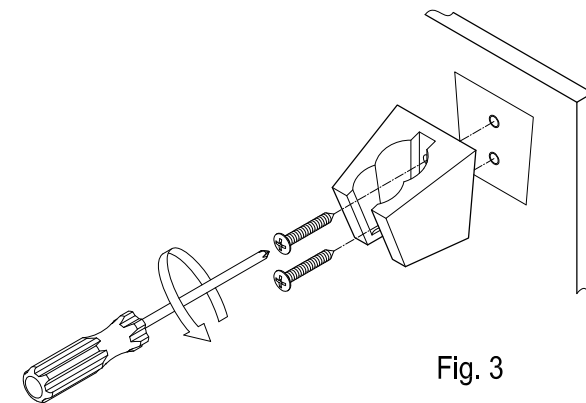


Fig. 3

Installation Steps:

- Step 1. Locate position on the wall and mark outline of cover plate on the wall (fig. 1).
- Step 2. Locate wall bracket in the center of outline. Mark location of the mounting screw (fig.1) and drill holes at the marked location.
- Step 3. Insert anchors into the holes until flush with wall (fig. 2).
- Step 4. Screw the wall bracket to wall with mounting screw (fig. 3).

Cleaning

Clean with a damp cloth only.
Avoid using metal or abrasive polishes.